





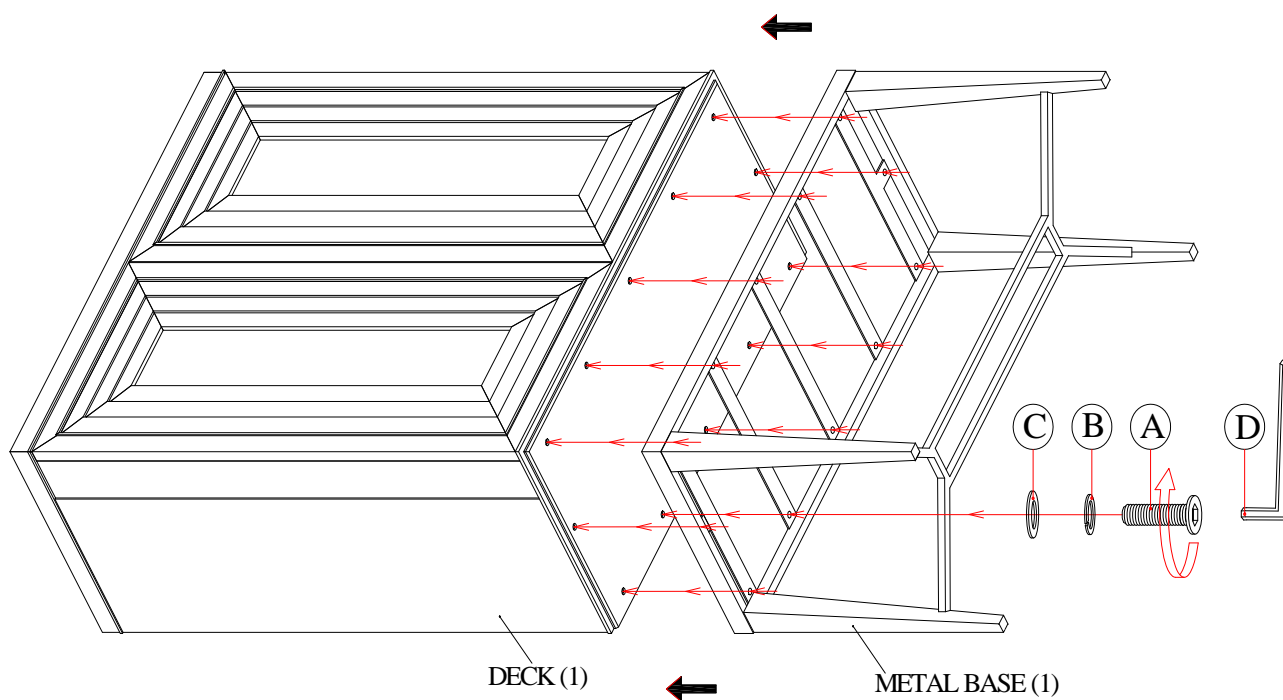
LEXINGTON[®]

H O M E B R A N D S

ASSEMBLY INSTRUCTIONS

732-961 Cheval Bar Cabinet

PART	HARDWARE LIST	QTY
A	 Bolt Ø5/16" x 3/4"	12 PCS
B	 Lock Washer	12 PCS
C	 Flat Washer	12 PCS
D	 Allen Wrench	1 PC



*****This assembly will require at least two people.*****

1. With care, place bar cabinet deck flat on its back on a clean, flat, non-marring surface.
2. Position metal base so that holes in top of base align with holes in bottom of deck.
3. Use Allen Wrench (D) to attach deck to base with (12) of each: FlatWashers (C), Lock Washers (B), and Bolts (A). Fully tighten all bolts.
4. With the help of at least one other person (it may require more than two people), very carefully lift assembled bar cabinet and place it upright in the desired location.

For additional consumer assistance please contact your Lexington dealer or call our Consumer Services Department at 1-336-474-5300, Monday-Friday, 8-5 Eastern.