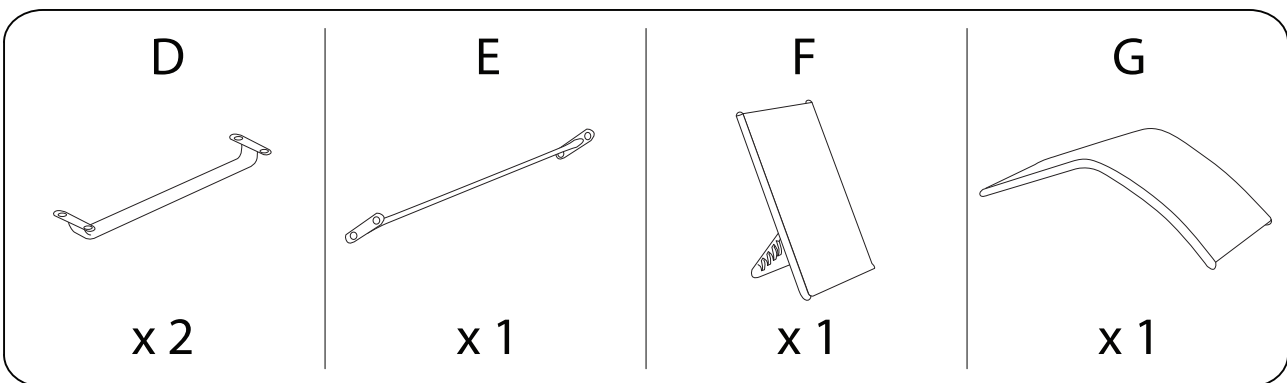
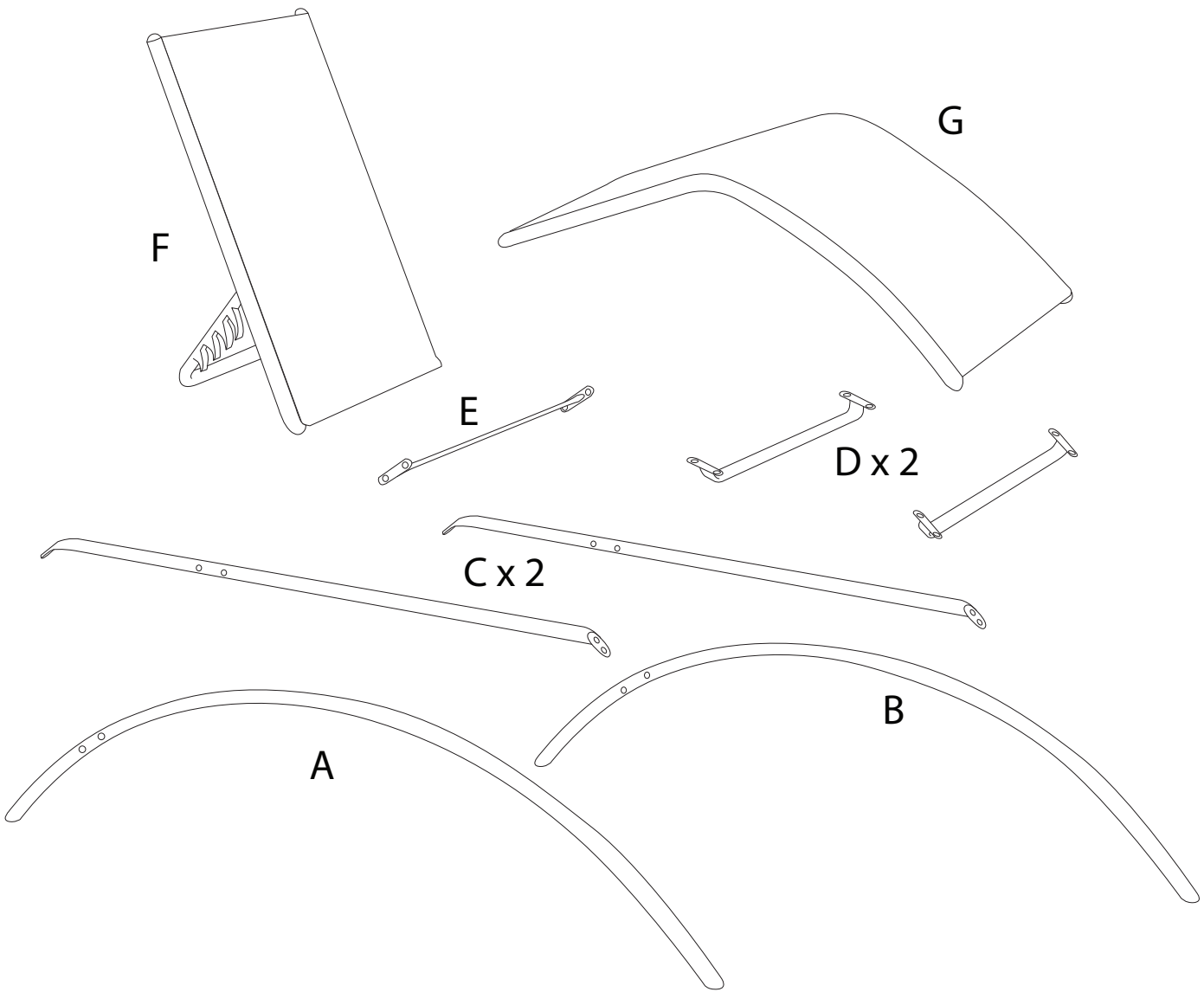
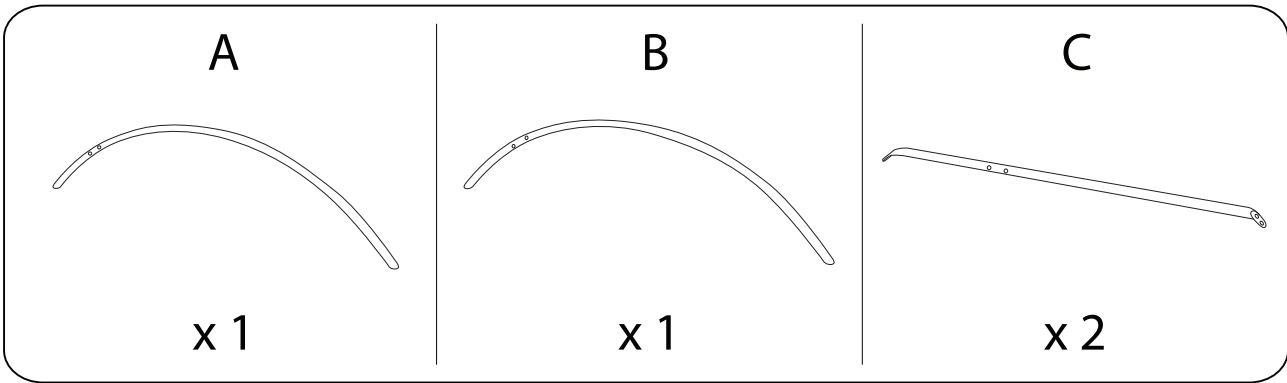
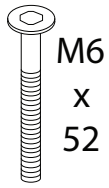


20'

1

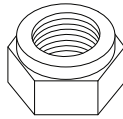


H1



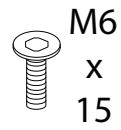
x 4

H2



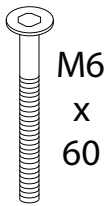
x 4

I



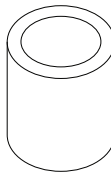
x 16

J1



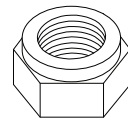
x 2

J2



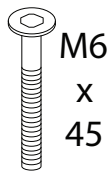
x 2

J3



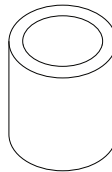
x 2

K1



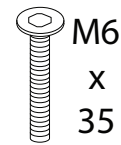
x 2

K2



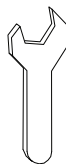
x 2

L



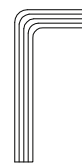
x 4

M



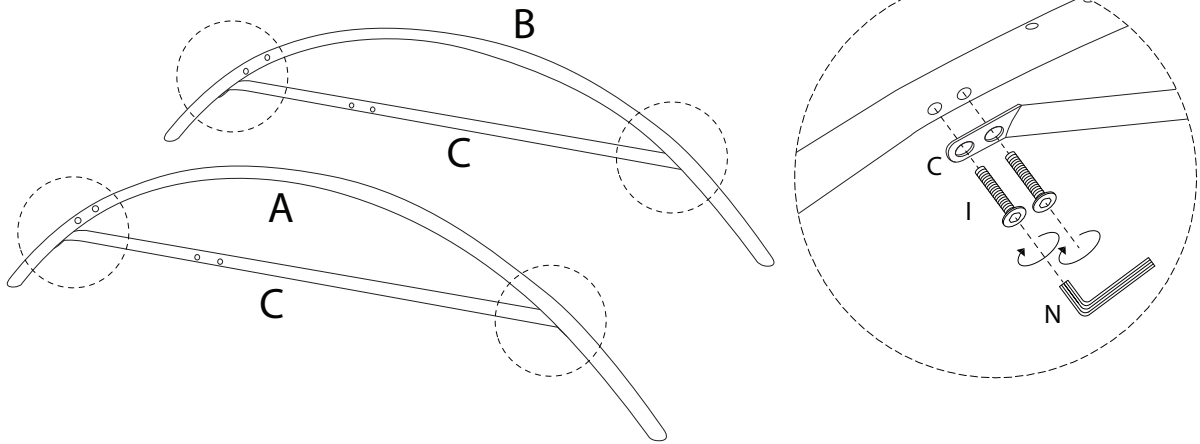
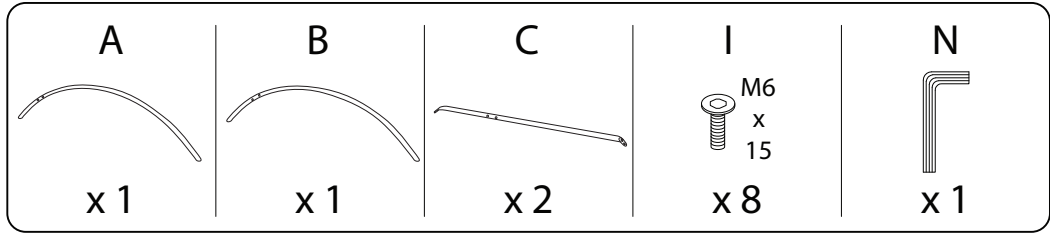
x 1

N

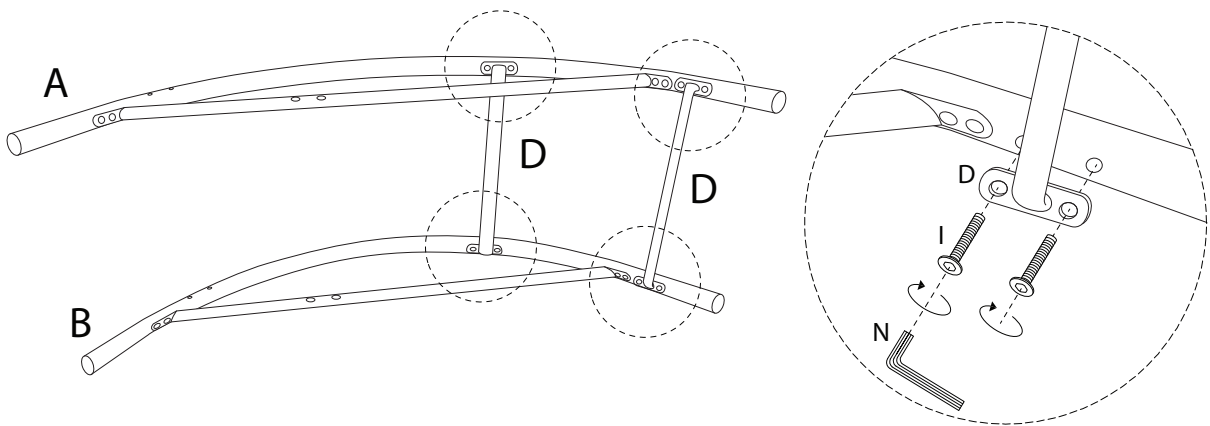
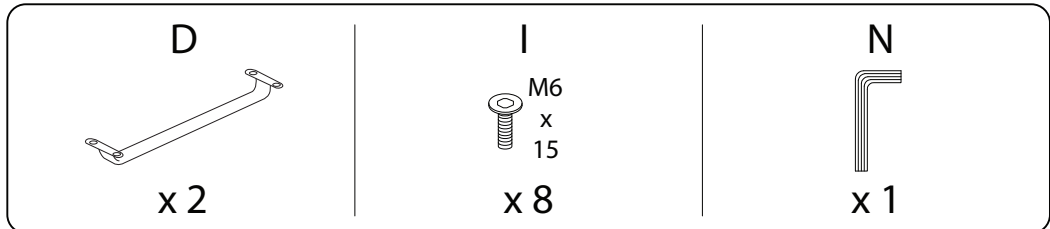


x 1

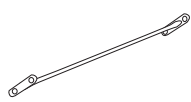
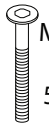
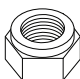

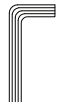
1

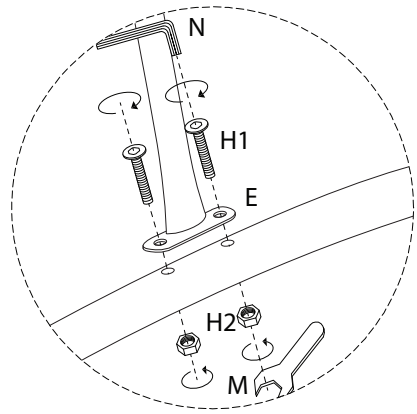
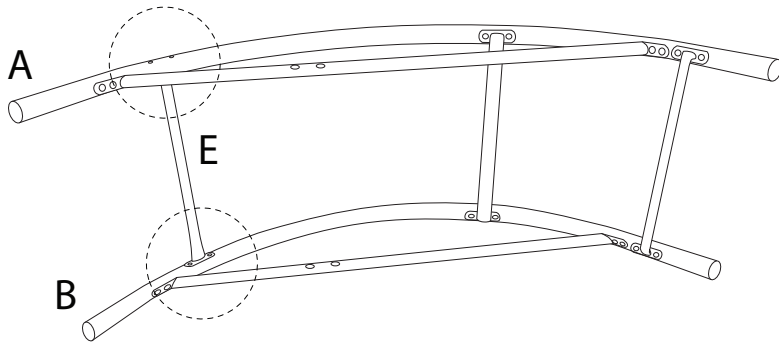


2


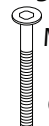
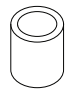
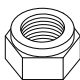
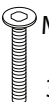

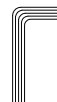


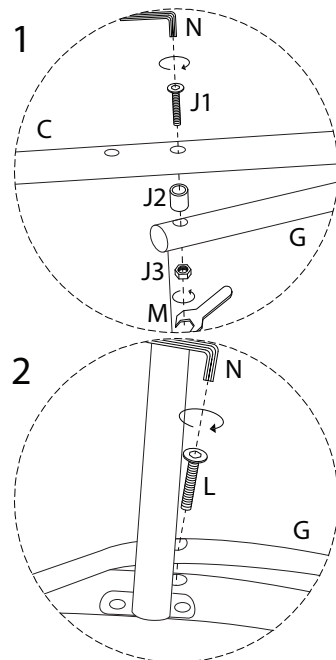
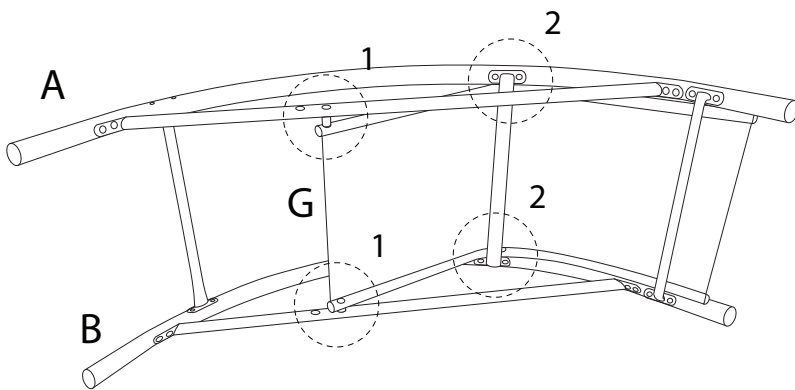
3

<p>E</p>  <p>x 1</p>	<p>H1</p> <p>M6 x 52</p>  <p>x 4</p>	<p>H2</p>  <p>x 4</p>	<p>M</p>  <p>x 1</p>	<p>N</p>  <p>x 1</p>
---	---	--	---	---

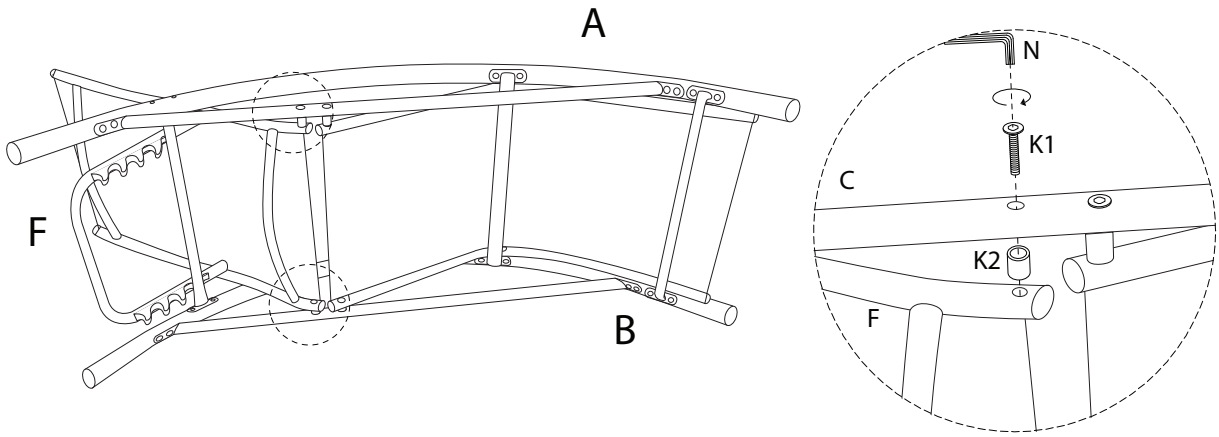
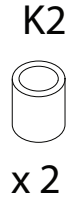
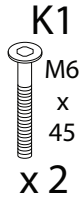


4

<p>G</p>  <p>x 1</p>	<p>J1</p> <p>M6 x 60</p>  <p>x 2</p>	<p>J2</p>  <p>x 2</p>	<p>J3</p>  <p>x 2</p>	<p>L</p> <p>M6 x 35</p>  <p>x 2</p>	<p>M</p>  <p>x 1</p>	<p>N</p>  <p>x 1</p>
---	---	--	--	--	---	---



5



6

