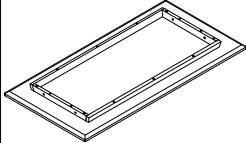
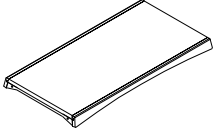
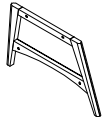






COFFEE TABLE

Assembly instructions:

PARTS LIST

No.	DESCRIPTION	IMAGE	QTY
P1	TABLE TOP		1
P2	BASE		1
P3	LEGS		2

HARDWARE LIST

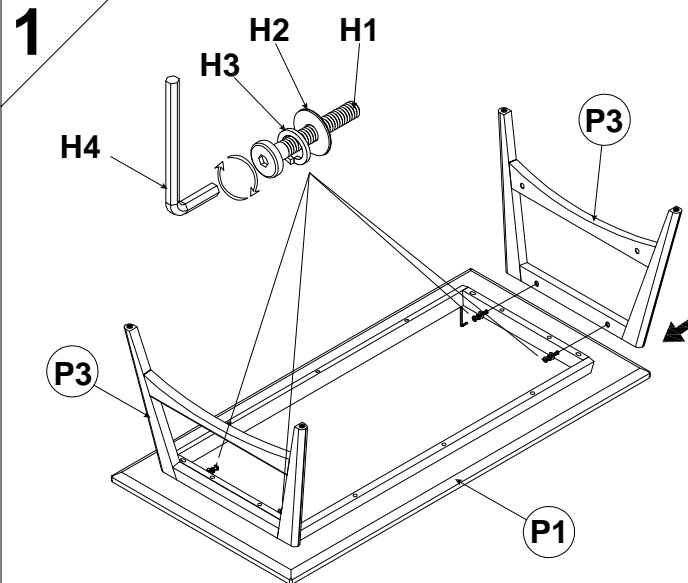
No.	DESCRIPTION	IMAGE	QTY
H1	BOLT (ø1/4" x38mm)		8
H2	FLAT WASHER (ø1/4" x16mm)		8
H3	SPRING WASHER (ø1/4" x11mm)		8
H4	ALLEN KEY (M4 x60mm)		1

NOTE: PO # is located underneath/ at the back side of each item. Please be prepared to provide this # should any claim be necessary.

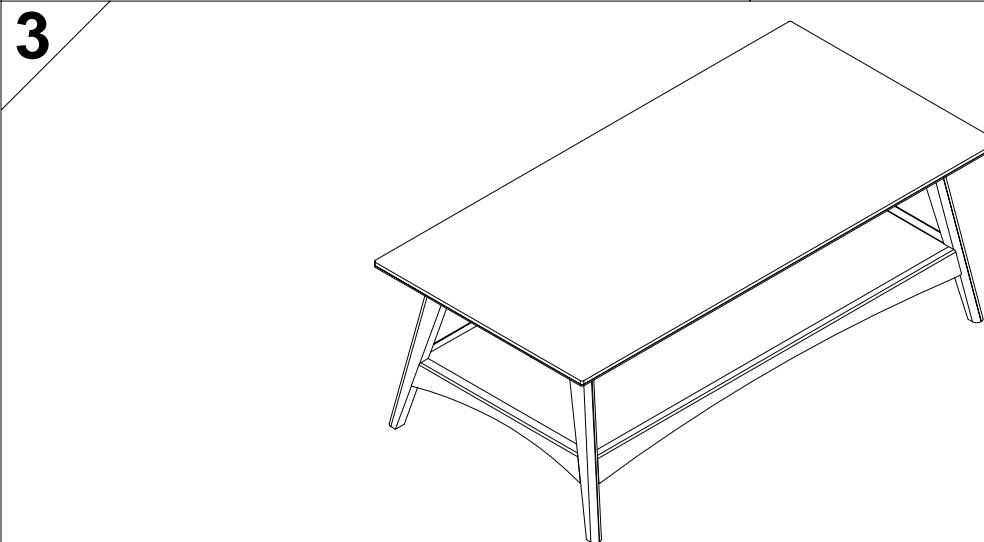
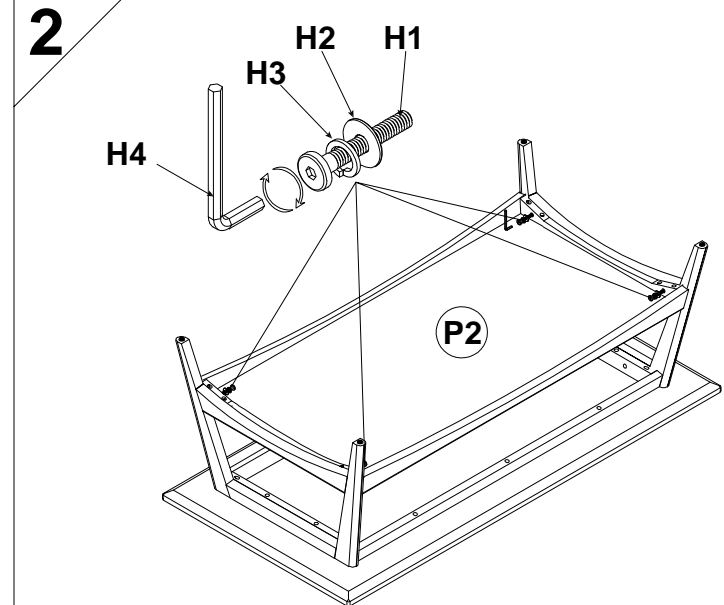
CAUTION: Item is heavy. Assembly should be performed by two people.

DISCLAIMER:

When properly assembled, this item is safe for intended use. Seller is not liable for any damages resulting from item being improperly assembled after purchase.



PLS, DON'T TIGHTEN BOLTS UNTIL LAST STEP.



ASSEMBLY COMPLETED

ADDITIONAL NOTE ABOUT SAFETY:
BOLTS MAY LOOSEN DURING NORMAL EVERYDAY USE.
THEY SHOULD BE INSPECTED AT LEAST EVERY 3 MONTHS AND RE-TIGHTENED AS NEEDED TO PREVENT DAMAGE OR INJURY, AND ENSURE STABILITY.

Thank you for your purchase