

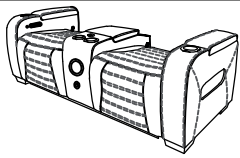

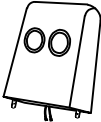



Assembly Instruction

Power Double Reclining Love Seat with Center Console, Power Headrests, Storage Arms ,Cup Holders, Wireless speakers with Sub-Woofer, Air Massage, Heat, LED Lighting and Charging Ports

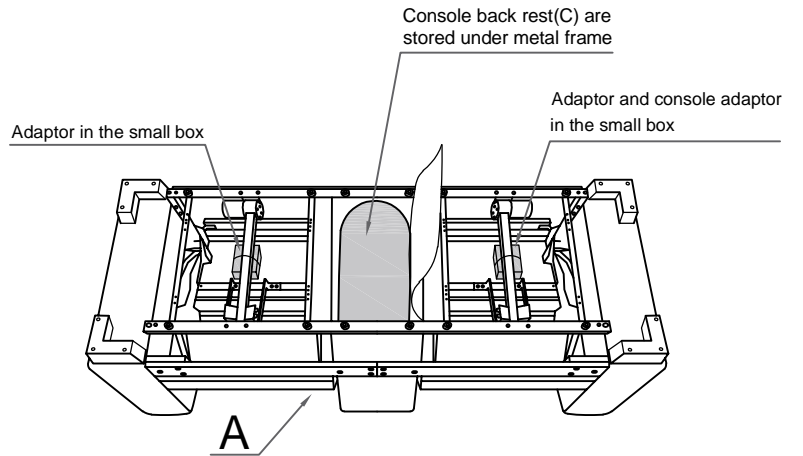
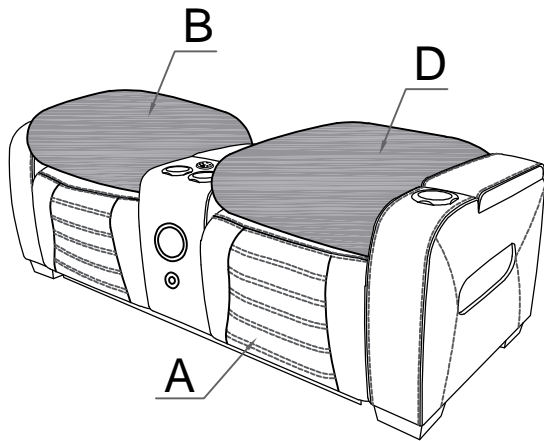


Note: Do not use power tools for assembly. Power tools increase the risk of over tightening which lead to splitting or cracking the wood.

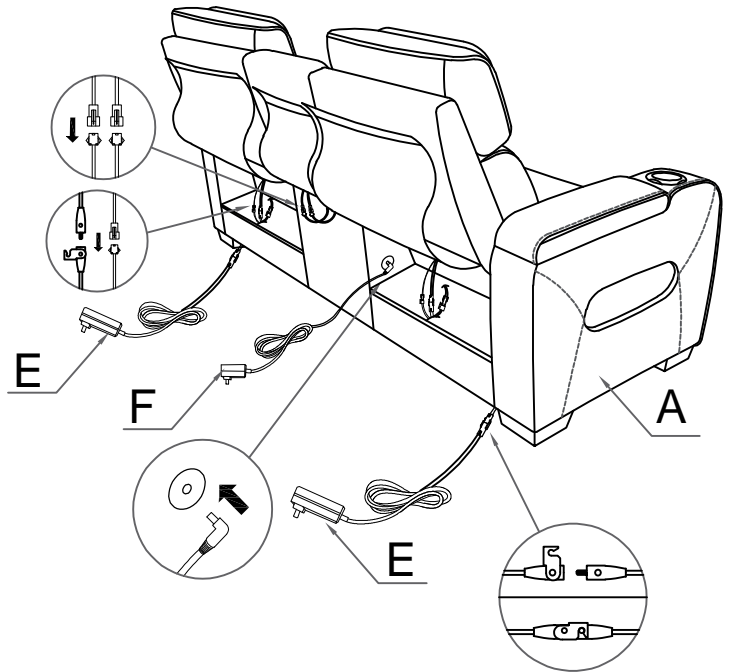
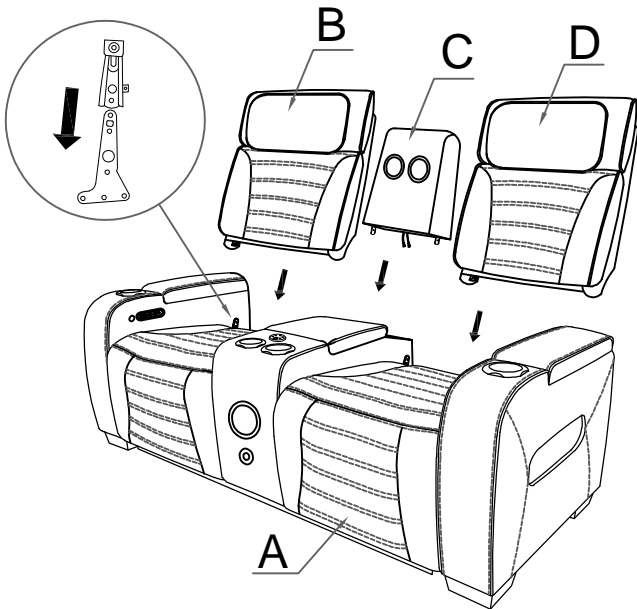
COMPONENT LIST

No	Drawing	Description	Qty
A		SEAT	1 PC
B		LSF BACK REST	1 PC
C		CONSOLE BACK REST	1 PC
D		RSF BACK REST	1 PC
E		ADAPTOR	2 PCS
F		CONSOLE ADAPTOR	1 PC

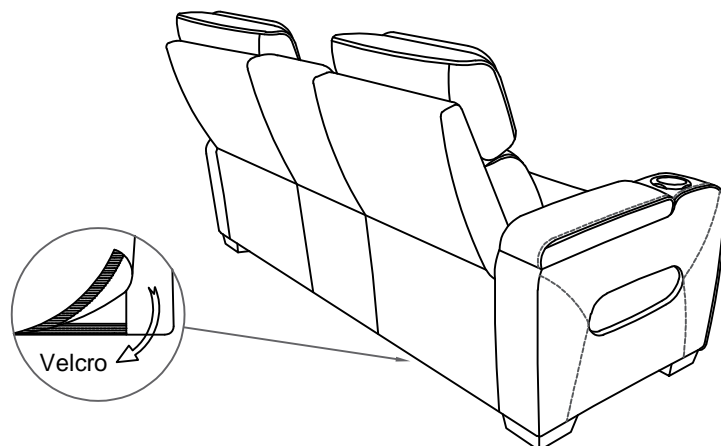
Step #1



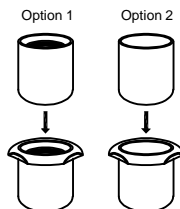
Step #2



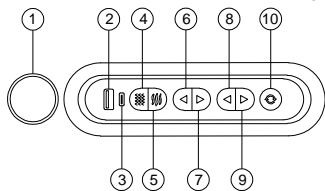
Step #3



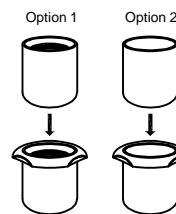
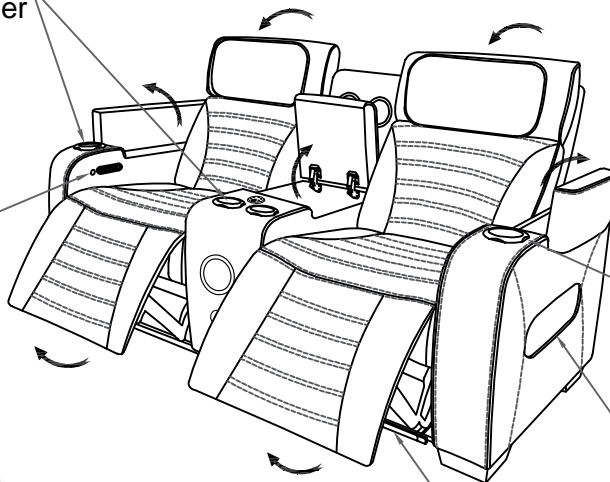
Step #4



Cup holder



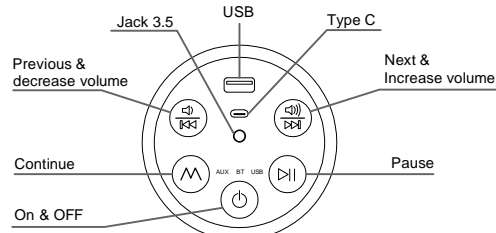
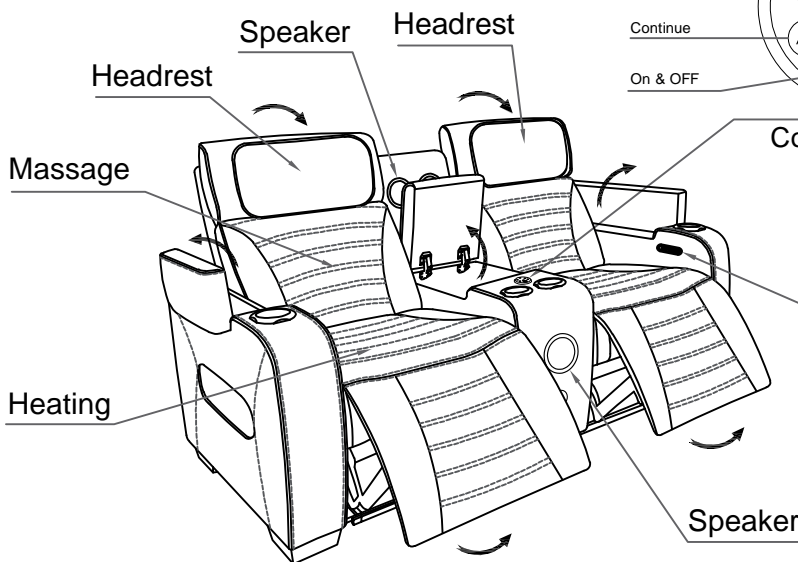
- ① LED light button:
Grade 1: 50%
Grade 2: 75%
Grade 3: 100%
OFF
- ② USB PORT
- ③ USB Type C
- ④ Massage
Grade 1: Slow then stop and repeat
Grade 2: Fast then stop and repeat
Grade 3: Fast & no stop and repeat
Grade 0: TURN OFF
- ⑤ 1 Heating
- ⑥ Open recliner
- ⑦ Close recliner
- ⑧ Open headrest
- ⑨ Close headrest
- ⑩ Home Button



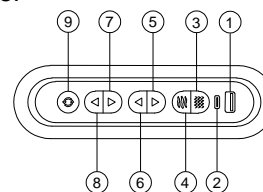
Cup holder

LED strip

LED tube



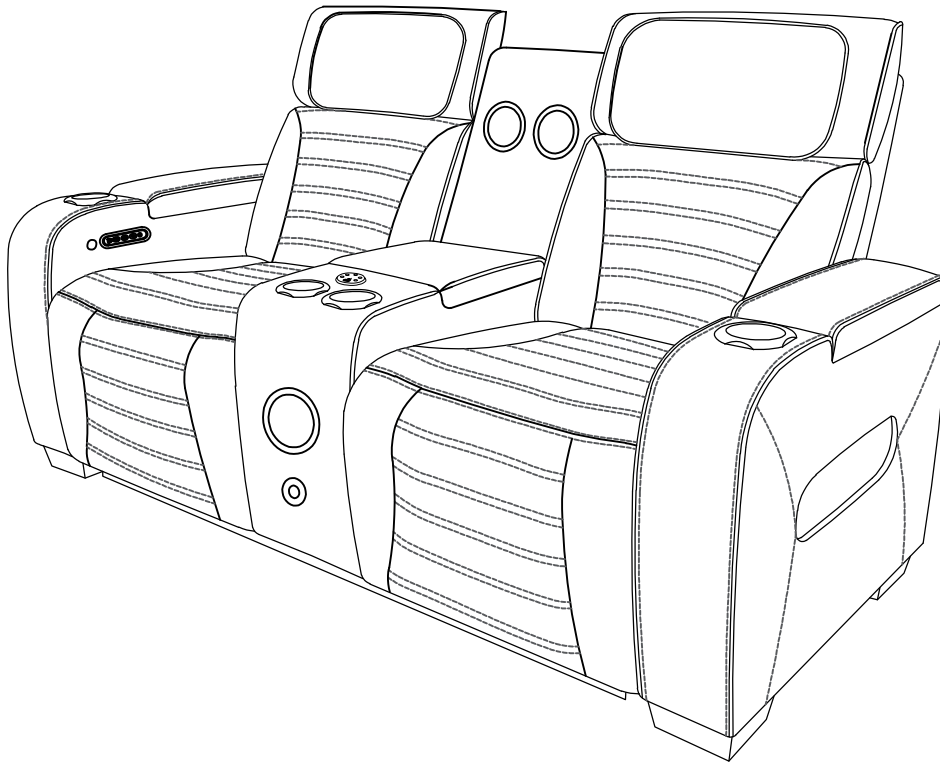
Control panel



- ① USB PORT
- ② USB Type C
- ③ Massage
Grade 1: Slow then stop and repeat
Grade 2: Fast then stop and repeat
Grade 3: Fast & no stop and repeat
Grade 0: TURN OFF
- ④ 1 Heating
- ⑤ Open recliner
- ⑥ Close recliner
- ⑦ Open headrest
- ⑧ Close headrest
- ⑨ Home Button

Thank you for using eMotion Bluetooth sound system.
 Before using this unit please read the instruction carefully.
 This audio system is for indoor use only.
 Do not attempt to modify, repair it, please contact store or customer service if you have any issue.
 Trying to remove panels or repairing the unit could result electric shock, property damage and injury.
 Please connect the unit directly to wall outlet, do not use extension cord.
 As for how to pair Bluetooth speaker, please refer to the Instruction Manual

COMPLETED



Care Instructions for Leather Match PVC Furniture:

In order to maintain the original appearance of your Leather Match PVC, please follow below simple care procedures:

- Avoid exposing furniture directly to sunlight or heating and air conditioning outlets. Sunlight and/or exposure to heating and air conditioning outlets will fade/damage Leather Match PVC.
- Vacuum or wipe with a soft cloth to remove dust.
- Hardware may loosen over time. Periodically check to make sure all connections are tight, Re-tighten if necessary.



For items use on wooden floor, hard surfaces or carpets, it is recommended to install protective pads under all legs and supports to avoid/prevent from damages/scratches and discoloration.