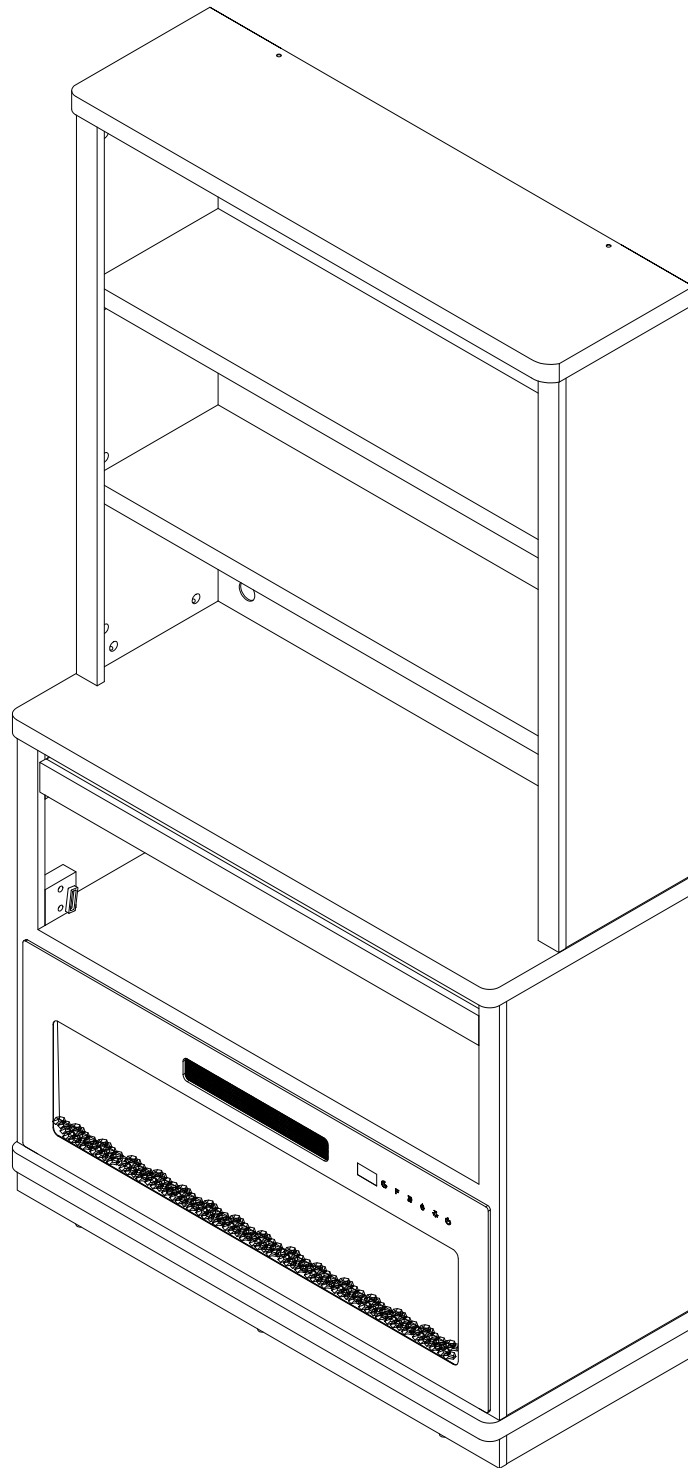


User Manual

Bookcase

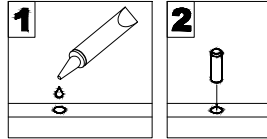


Warm Tips:

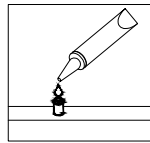
The assembly process is both challenging and fun. Please be patient and follow the instructions STEP BY STEP. You will feel exactly proud of yourself when you finish!

General Assembly Guidelines

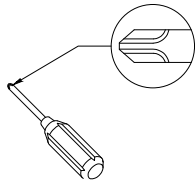
- I .Please ensure that all parts and hardware are available before assembly.
- II . Follow each step carefully to ensure the proper assembly of this product.
- III. For ease of assembly, two people are recommended to assemble this product.
- IV. The three main types of hardware are: wood dowels , screws and bolts.
- V. The glue is to secure wood dowels in place. When first inserting dowels, locate the appropriate hole for the dowel, and place a small amount of glue in the hole then insert the dowel. Please remember wipe away the excess glue immediately.



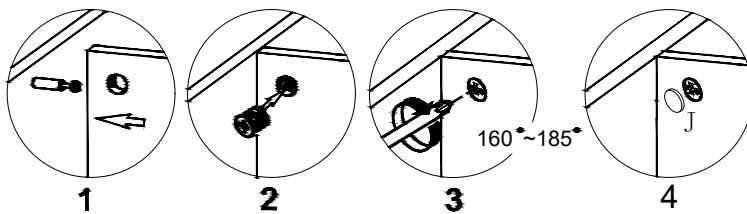
The dowels are necessary to attach assembly parts together in the following steps. Place a small amount of glue on the end of the dowel before attaching parts together. Please remember wipe away the excess glue immediately.



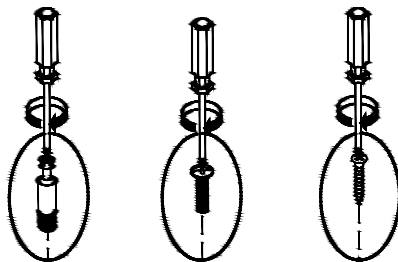
VI. A Phillips head screwdriver is required for the assembly of this product.



VII.Steps for assembly of three-in-one screws.

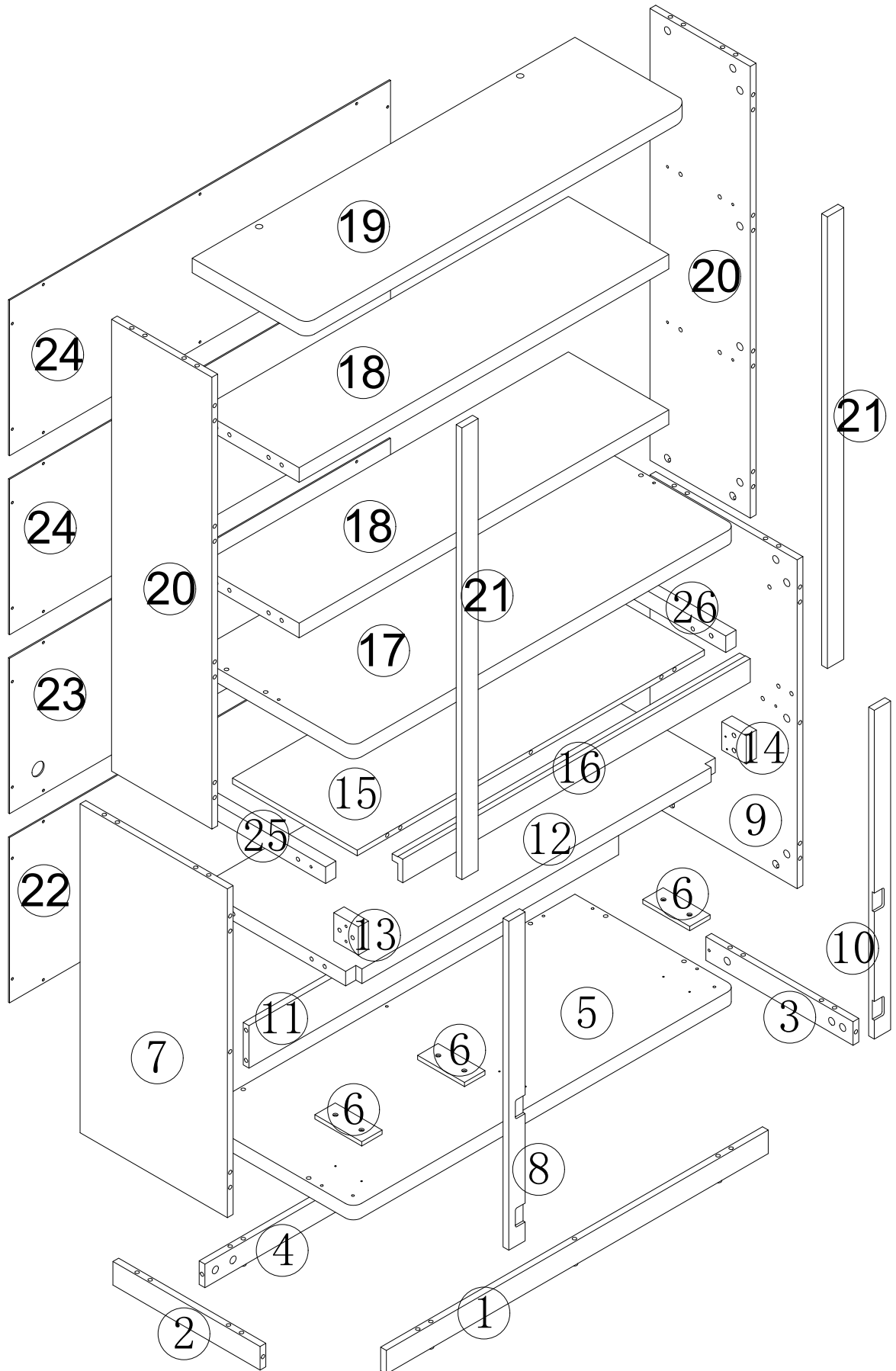


VIII.Screw fixation diagram for all fittings.

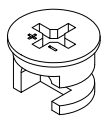


Parts List

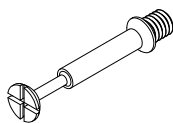
- ① x 1
- ② x 1
- ③ x 1
- ④ x 1
- ⑤ x 1
- ⑥ x 3
- ⑦ x 1
- ⑧ x 1
- ⑨ x 1
- ⑩ x 1
- ⑪ x 1
- ⑫ x 1
- ⑬ x 1
- ⑭ x 1
- ⑮ x 1
- ⑯ x 1
- ⑰ x 1
- ⑱ x 2
- ⑲ x 1
- ⑳ x 2
- ㉑ x 2
- ㉒ x 1
- ㉓ x 1
- ㉔ x 2
- ㉕ x 1
- ㉖ x 1



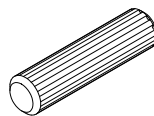
Hardware List



Ø15
A x 68+4pcs



B x 68+4pcs



Ø8*30mm
C x 60+4pcs



Ø3.9*30mm
D x 8pcs



Ø3.5*12mm
E x 8pcs



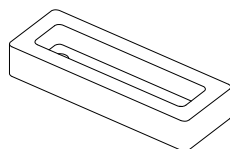
Ø3.9*20mm
F x 12+1pcs



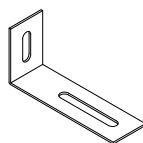
Ø3.5*16mm
G x 42+2pcs



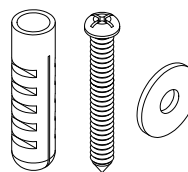
Ø3.5*12mm
H x 12+1pcs



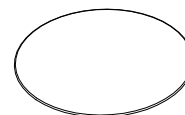
I x 4pcs



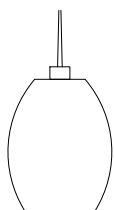
J x 2pcs



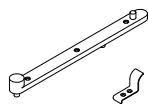
K x 2pcs



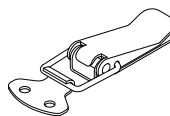
L x 71pcs



N x 1pc



M x 2pcs

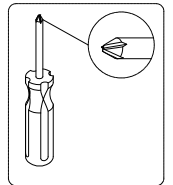
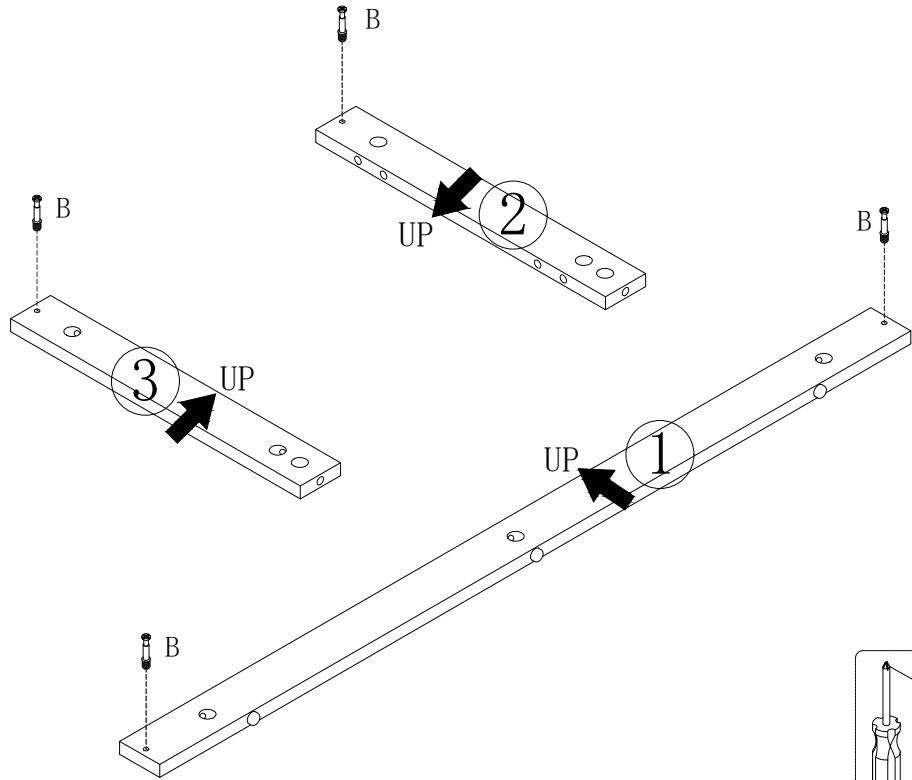
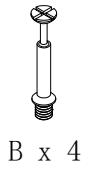


O x 1pc

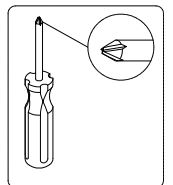
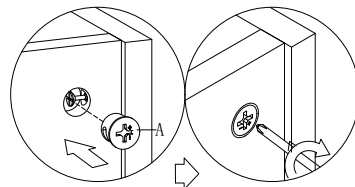
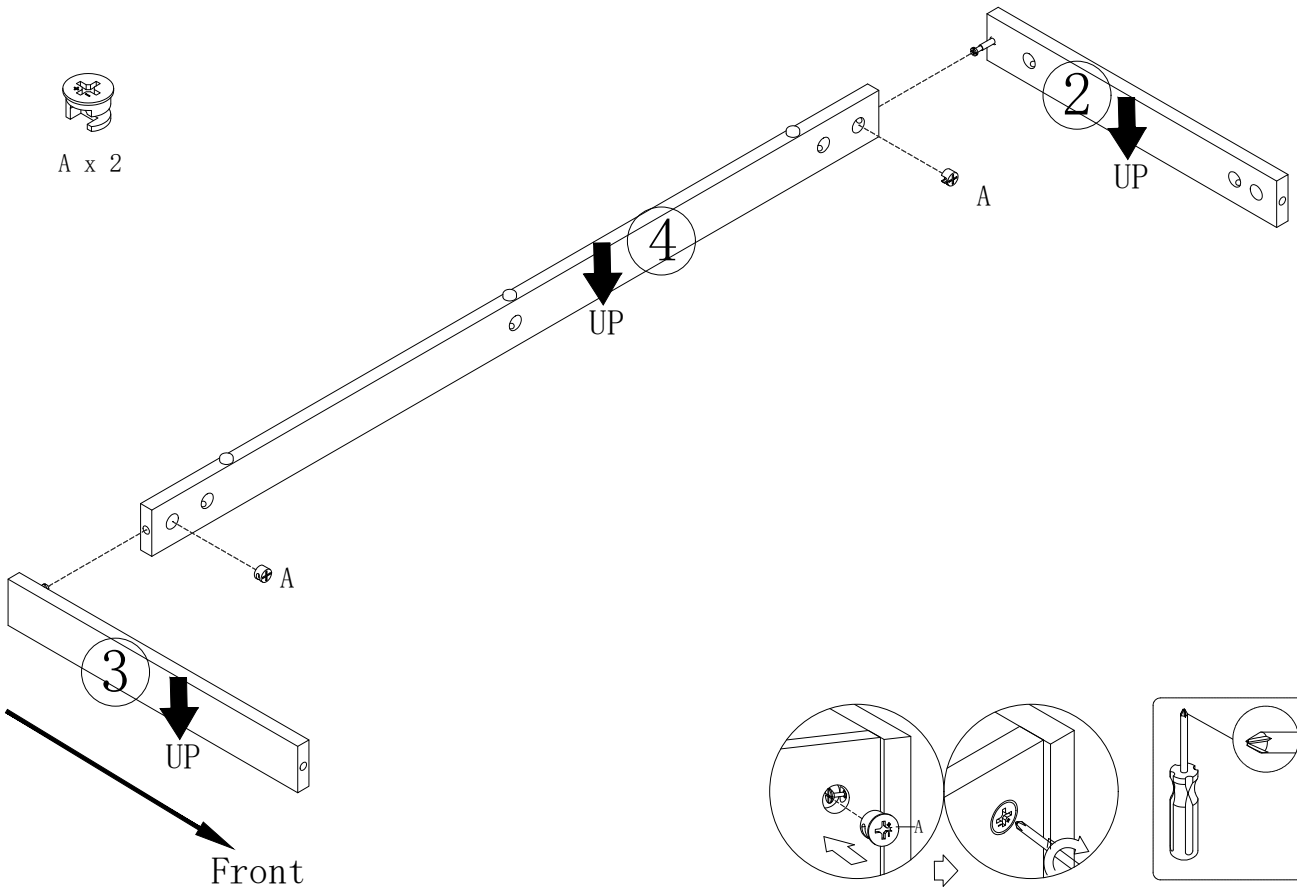


x 1pc

STEP#1



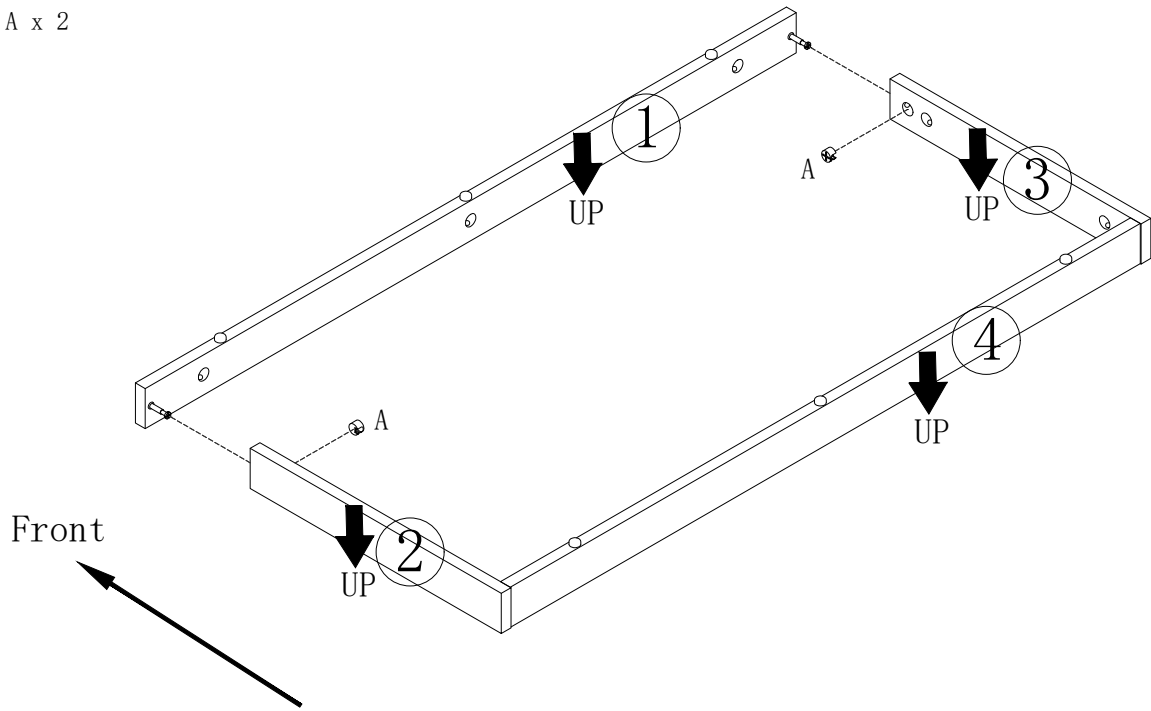
STEP#2



STEP#3



A x 2



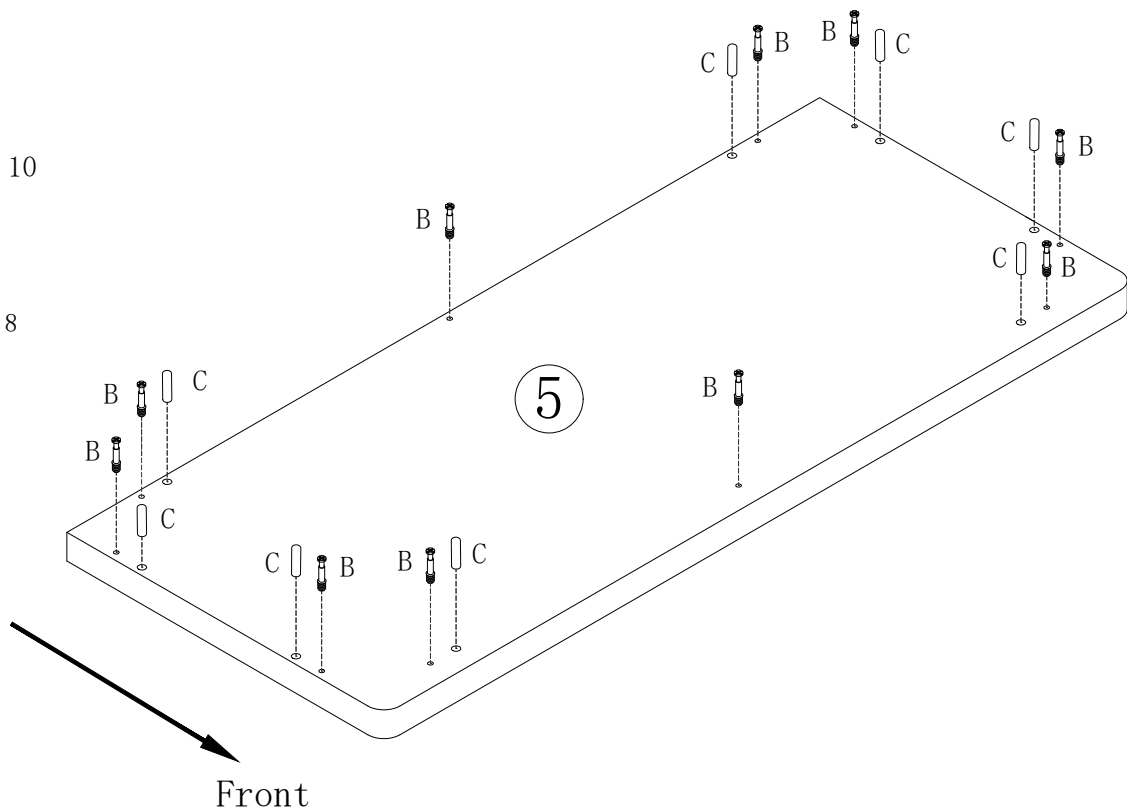
STEP#4



B x 10



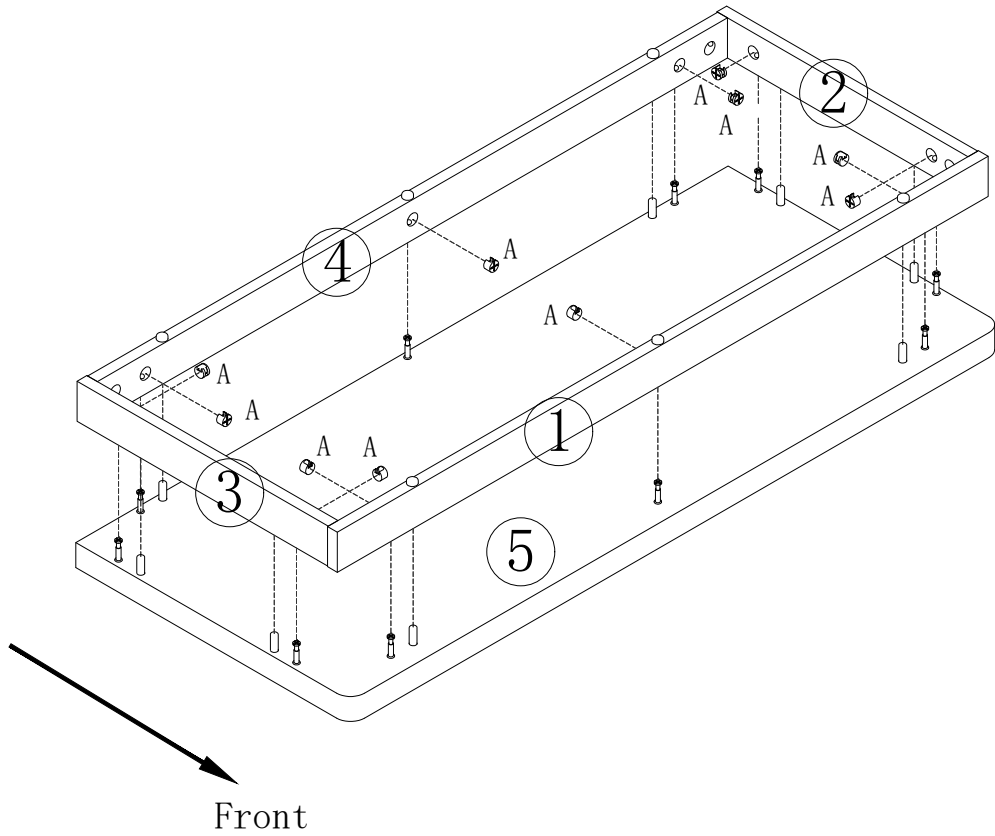
C x 8



STEP#5



A x 10



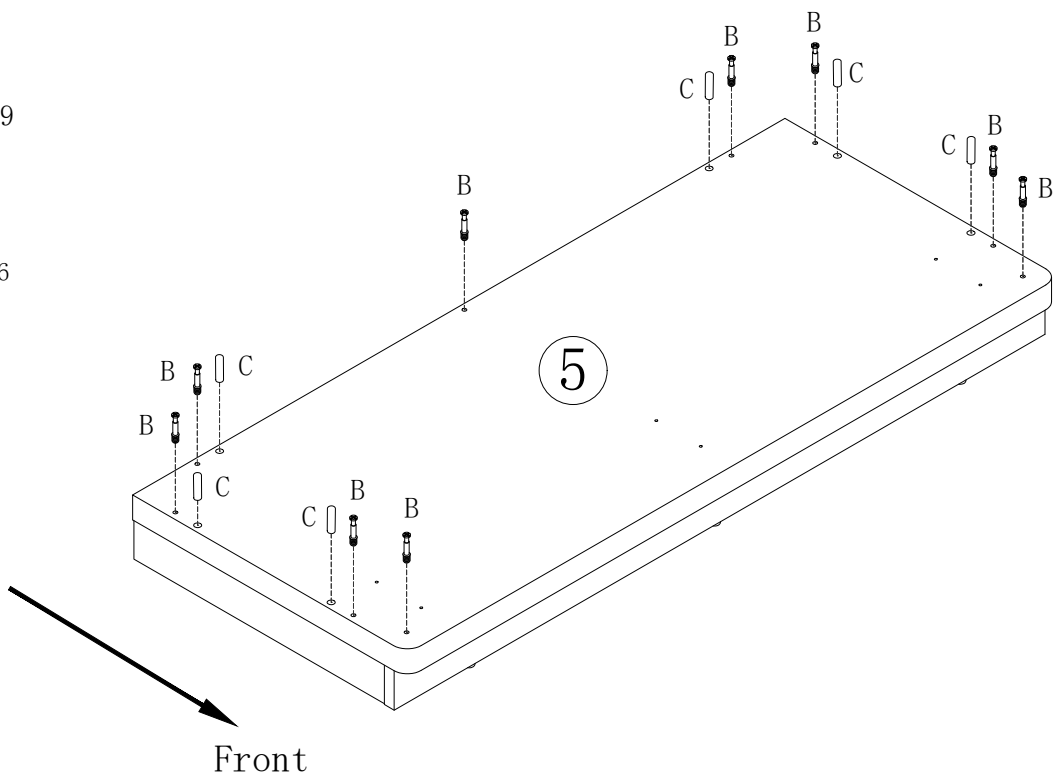
STEP#6



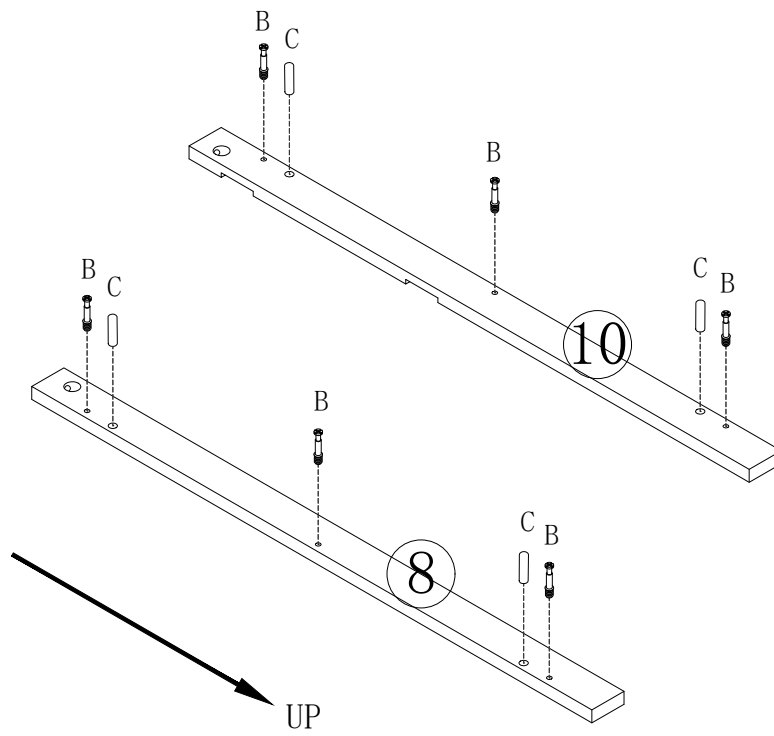
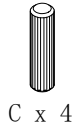
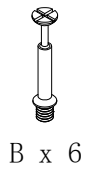
B x 9



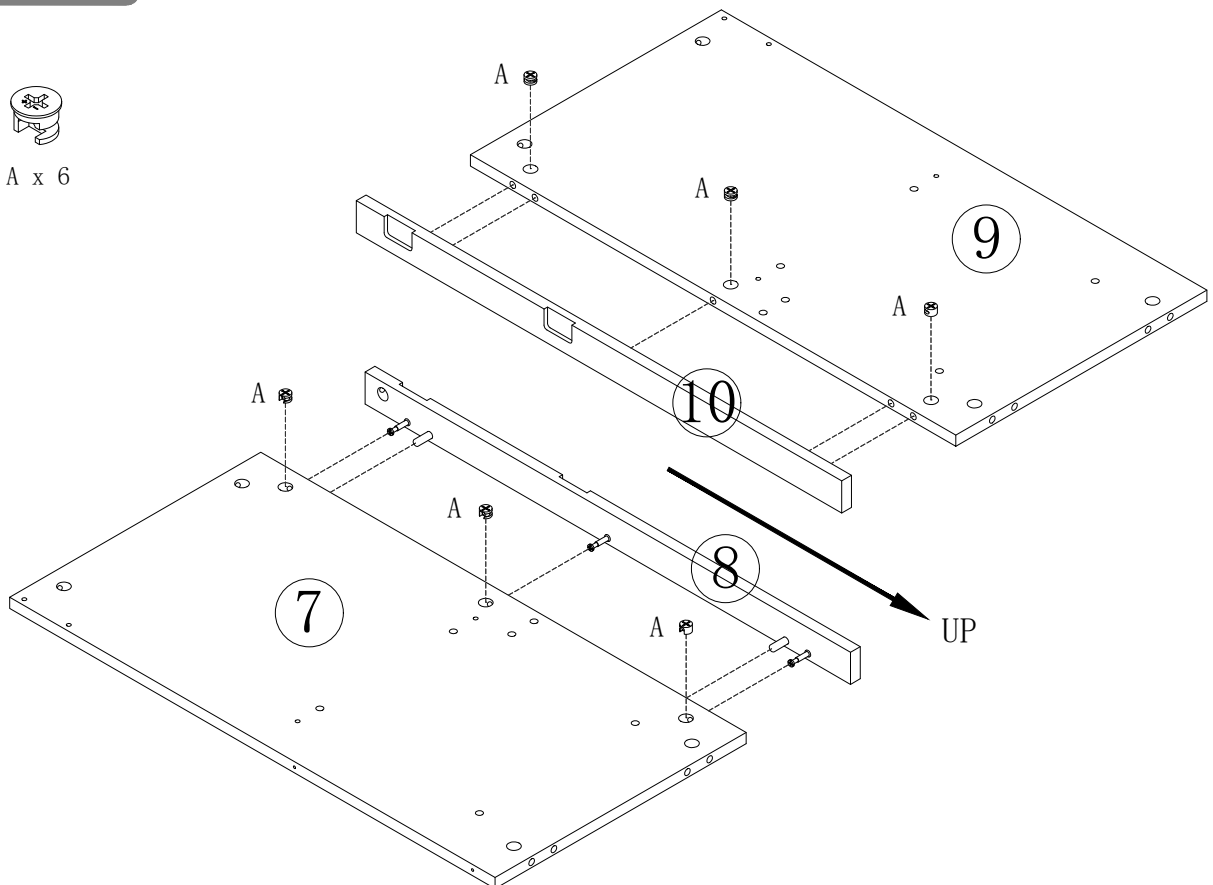
C x 6



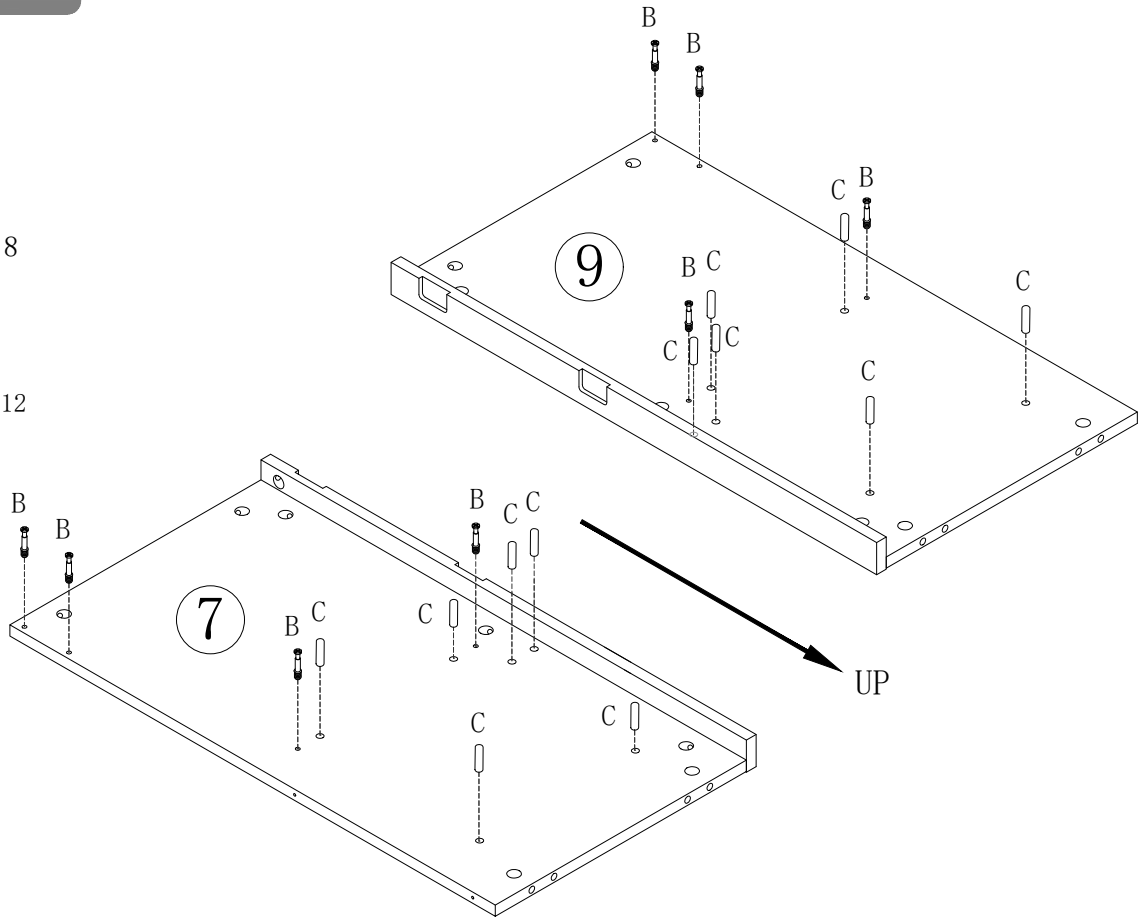
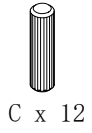
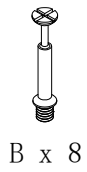
STEP#7



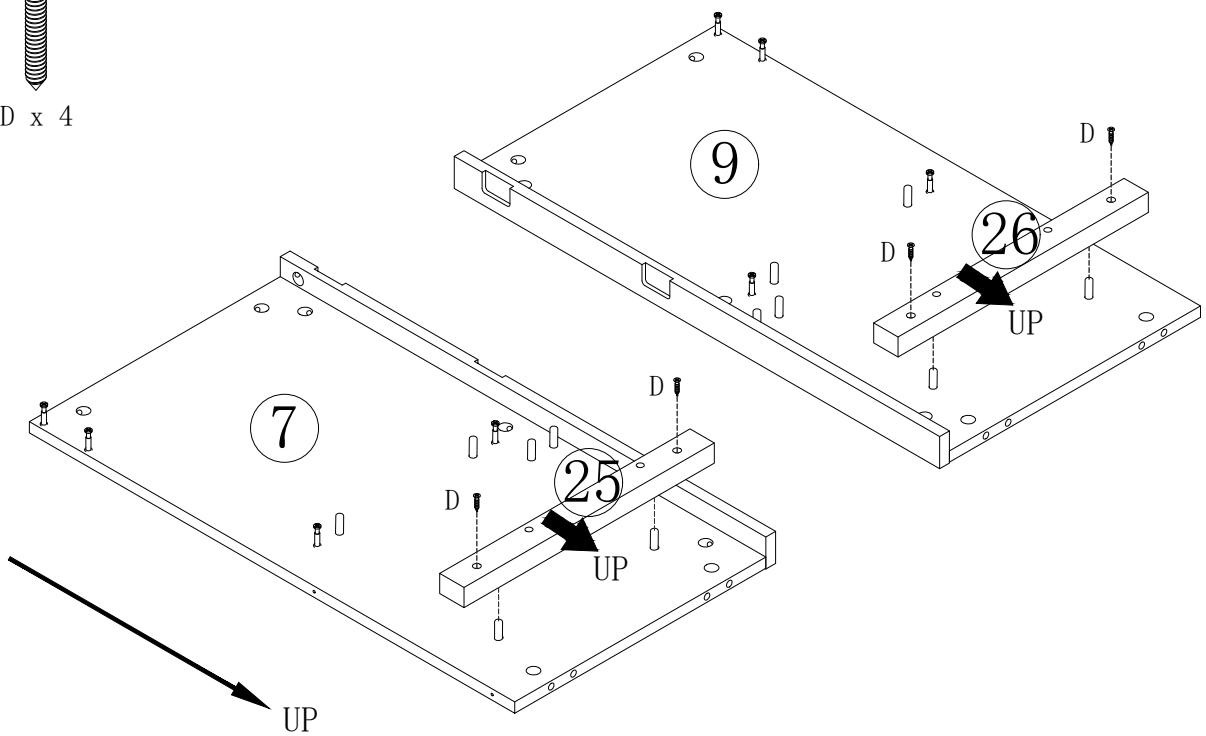
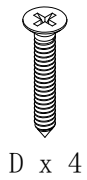
STEP#8



STEP#9



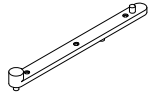
STEP#10



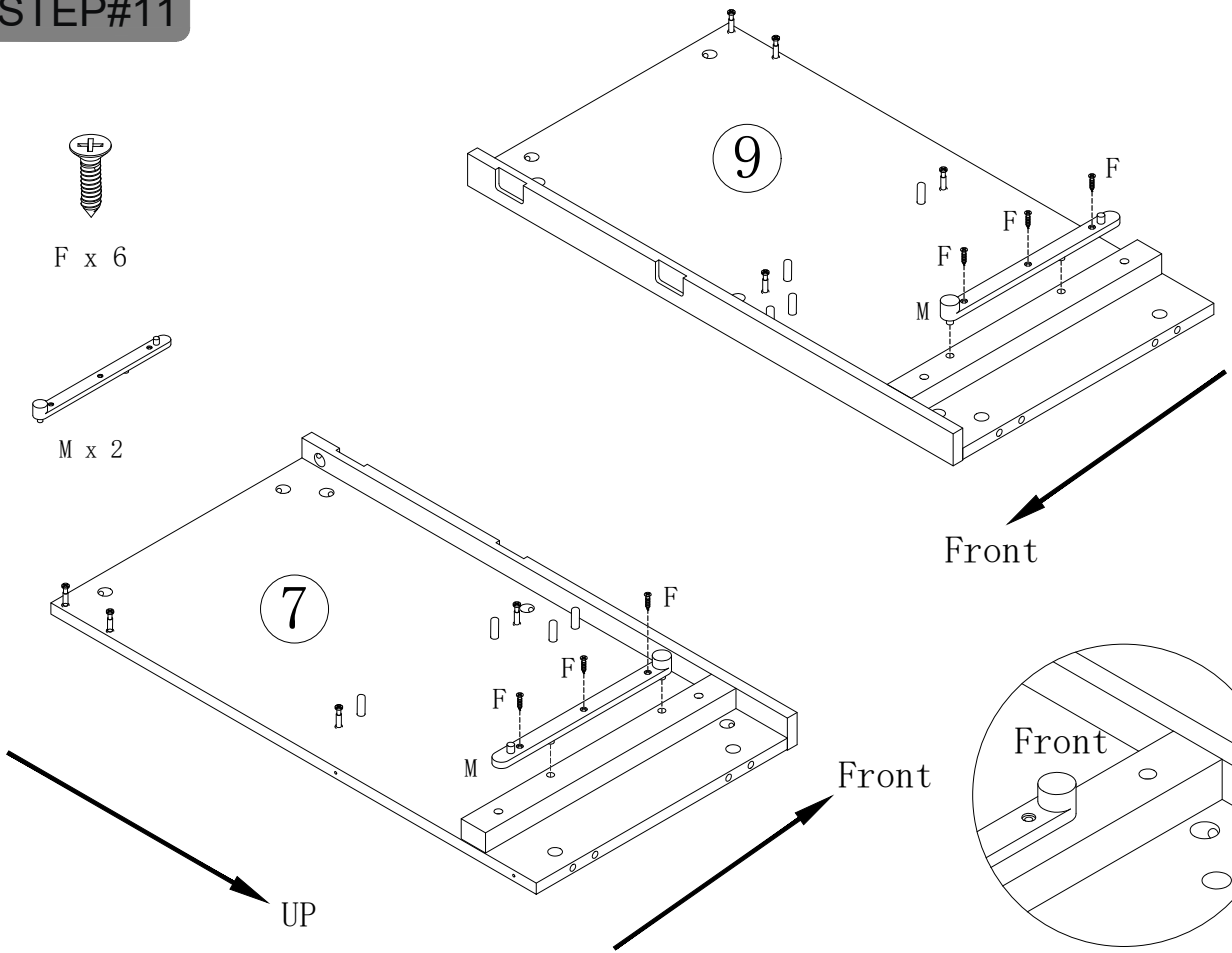
STEP#11



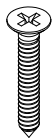
F x 6



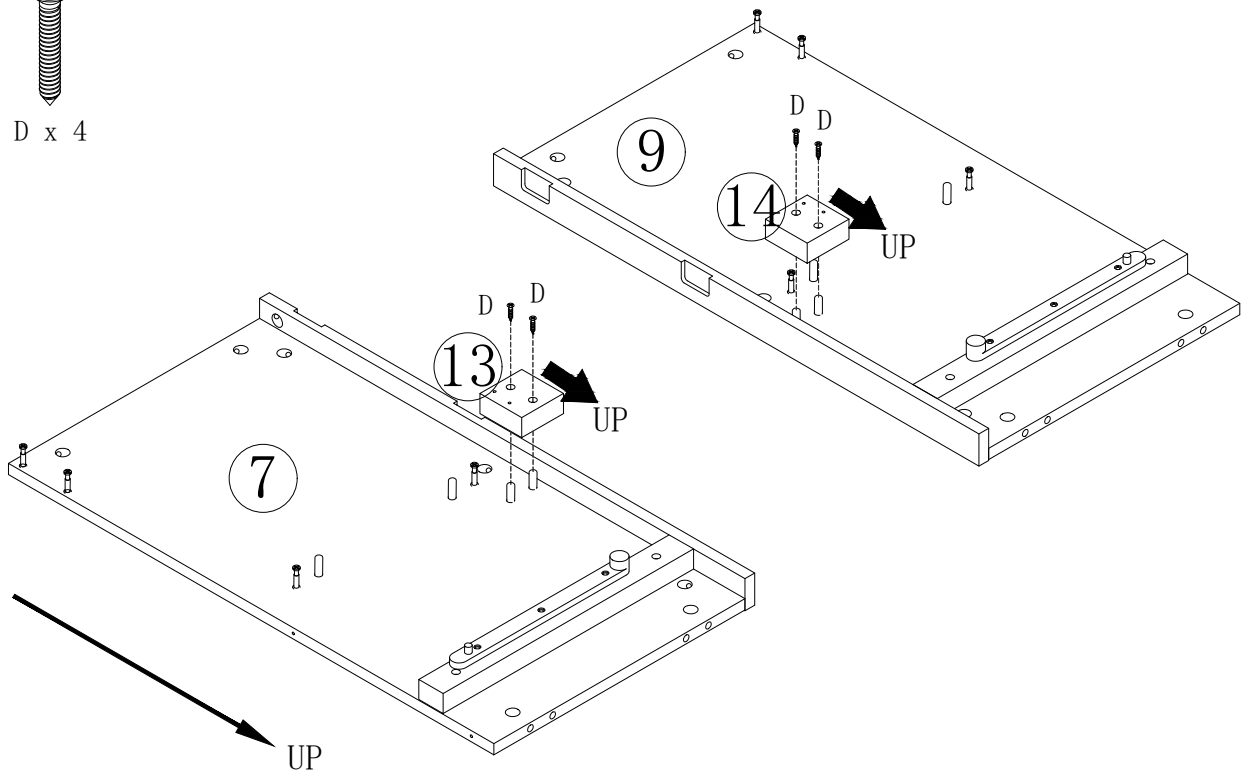
M x 2



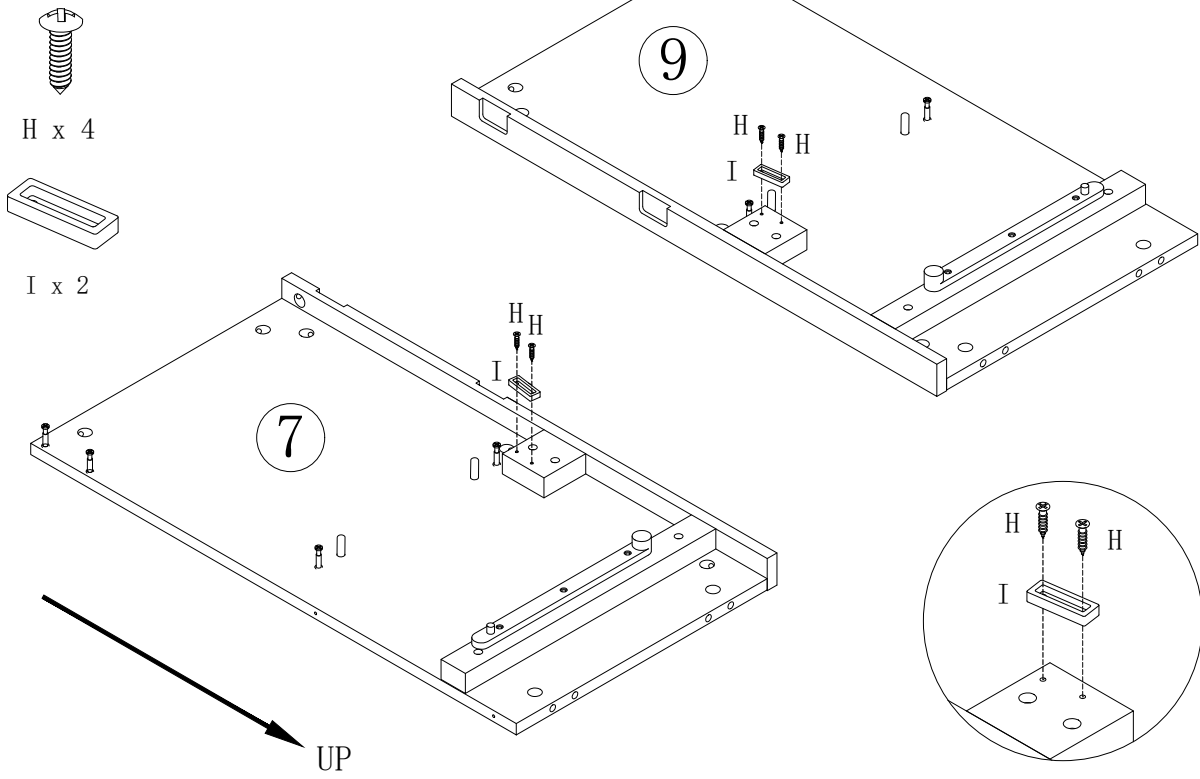
STEP#12



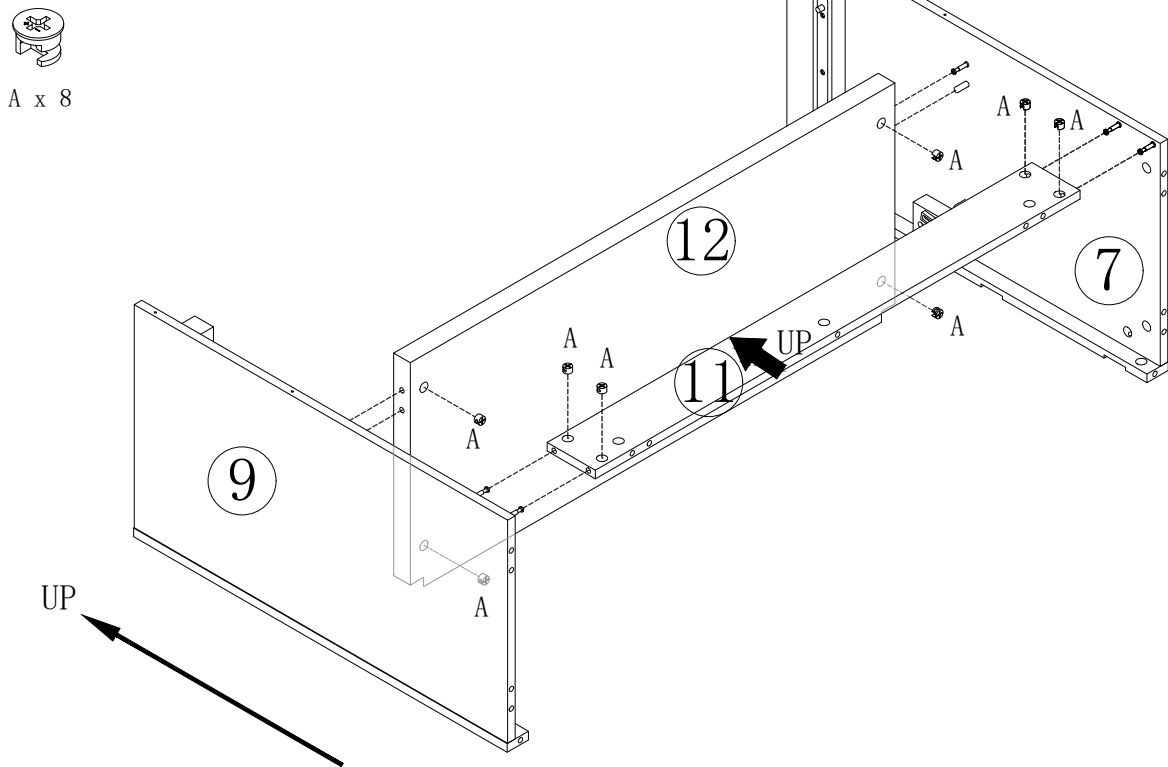
D x 4



STEP#13



STEP#14

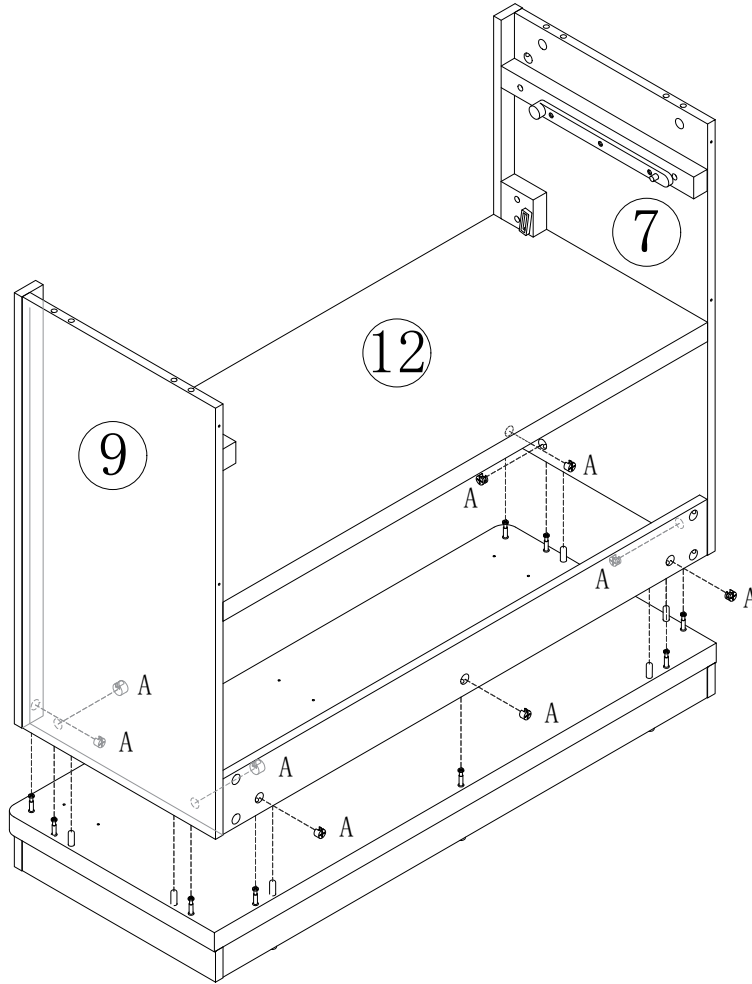


STEP#15



A x 9

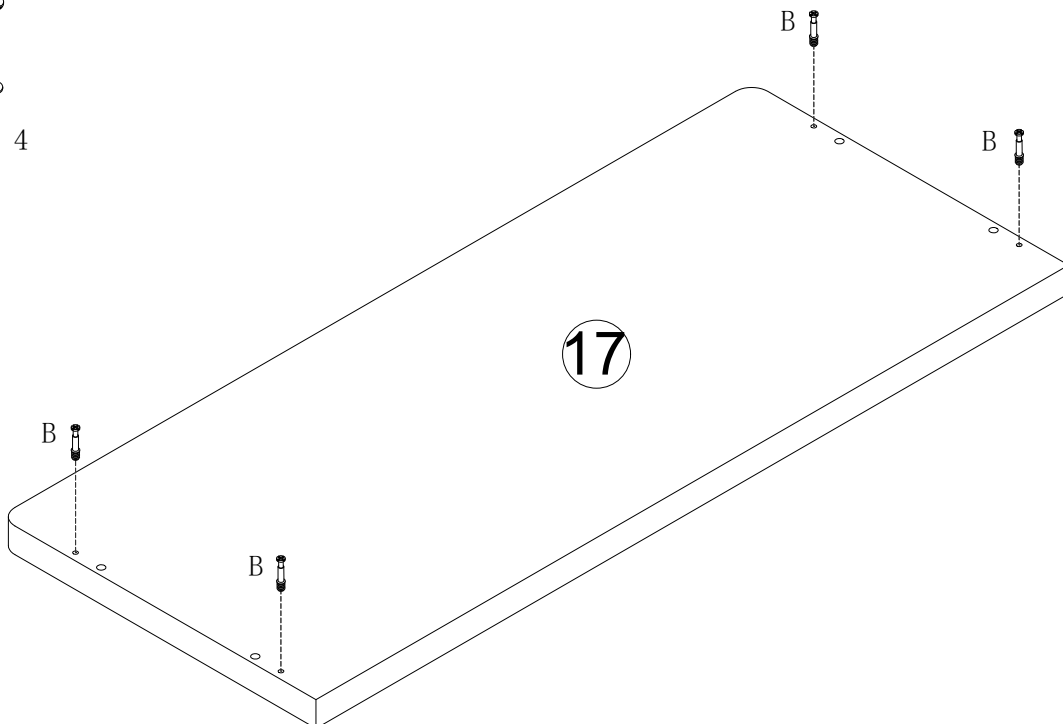
UP



STEP#16



B x 4



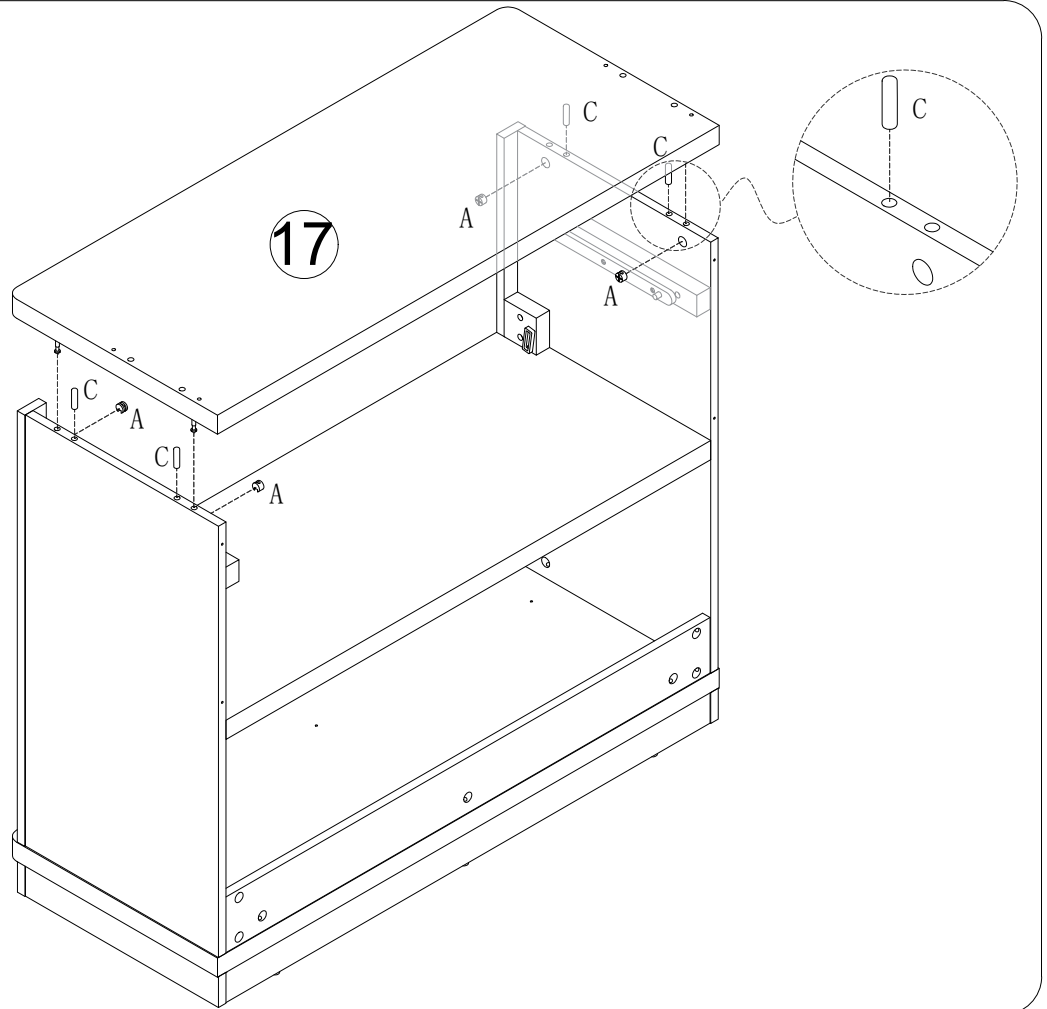
STEP#17



A x 4



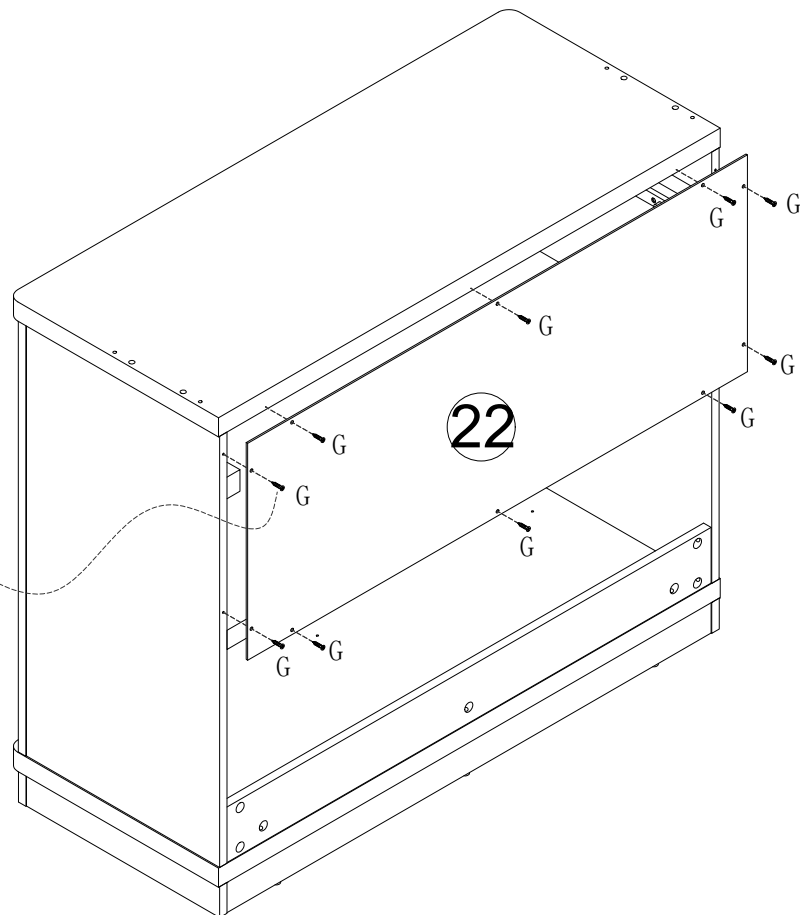
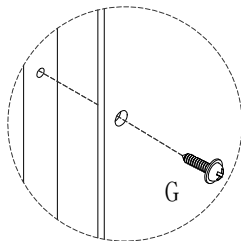
C x 4






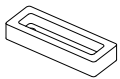

STEP#18

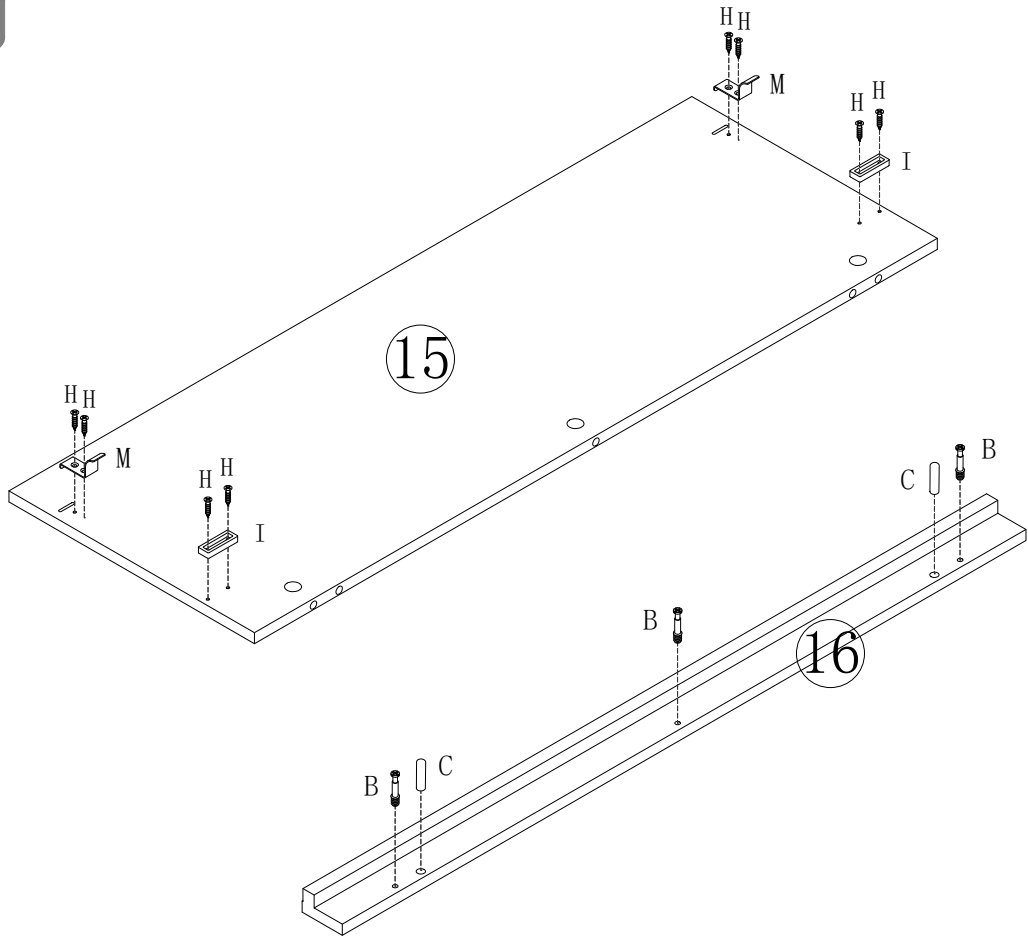


G x 10



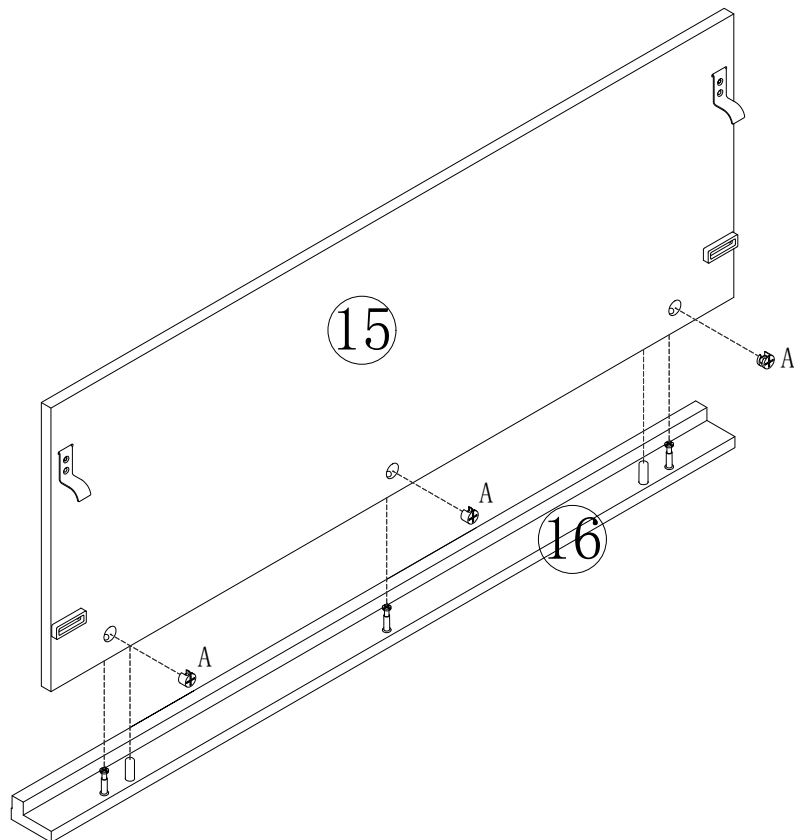
STEP#19

- 
B x 3
- 
C x 2
- 
H x 8
- 
I x 2
- 
M x 2

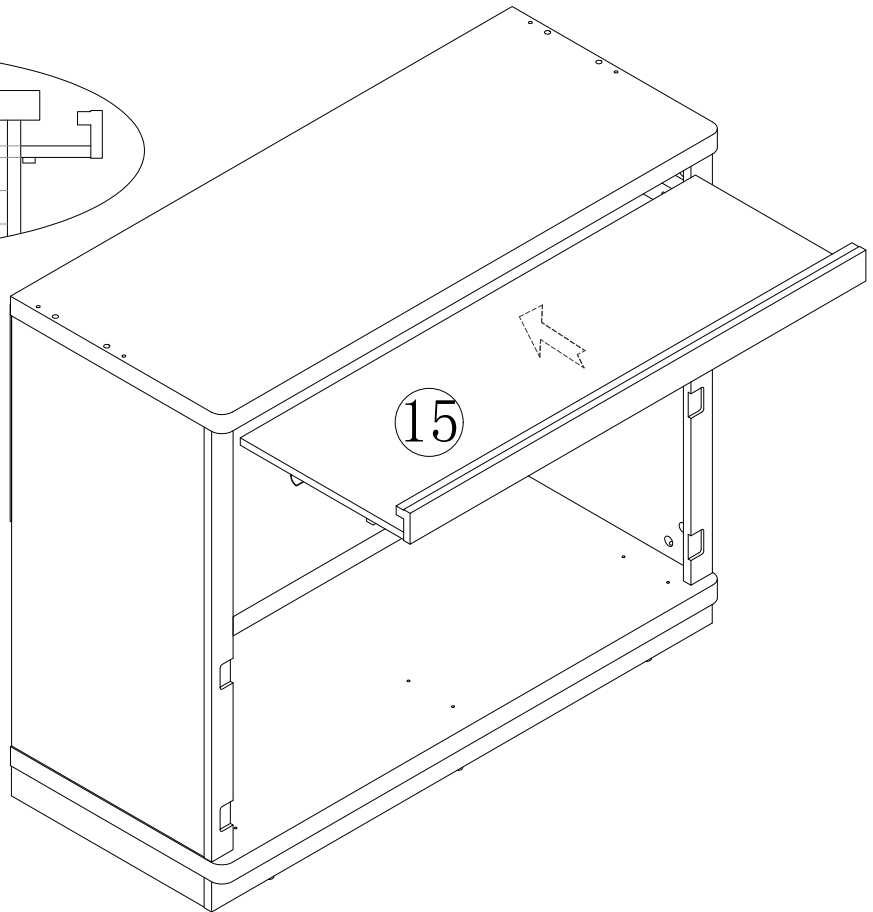
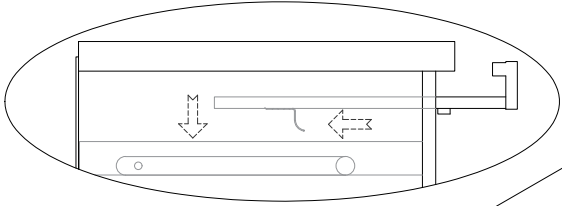


STEP#20

- 
A x 3



STEP#21



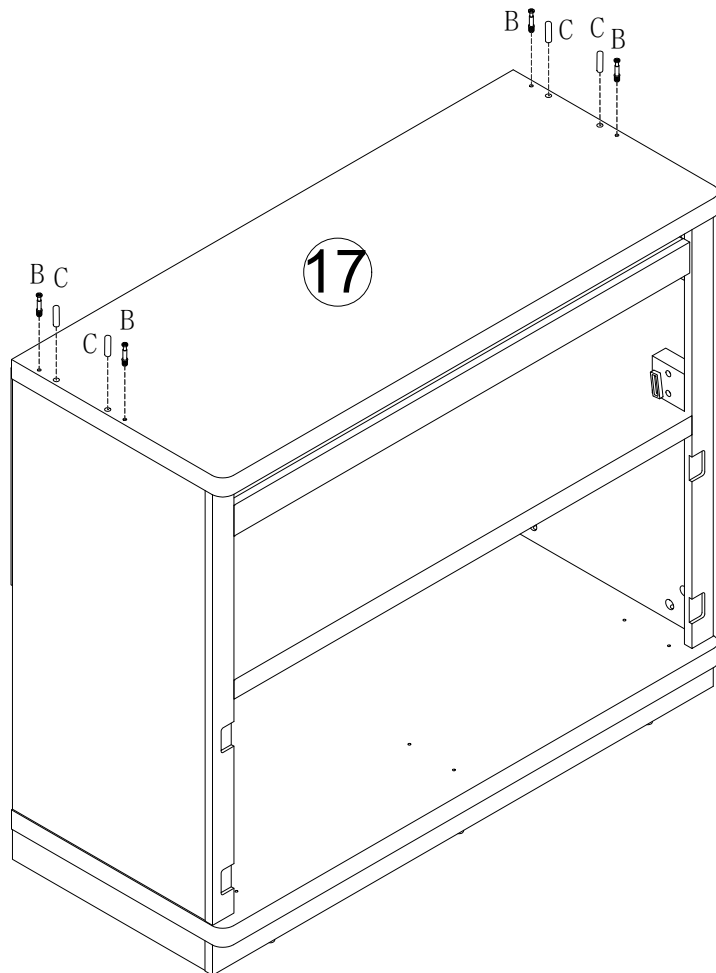
STEP#22



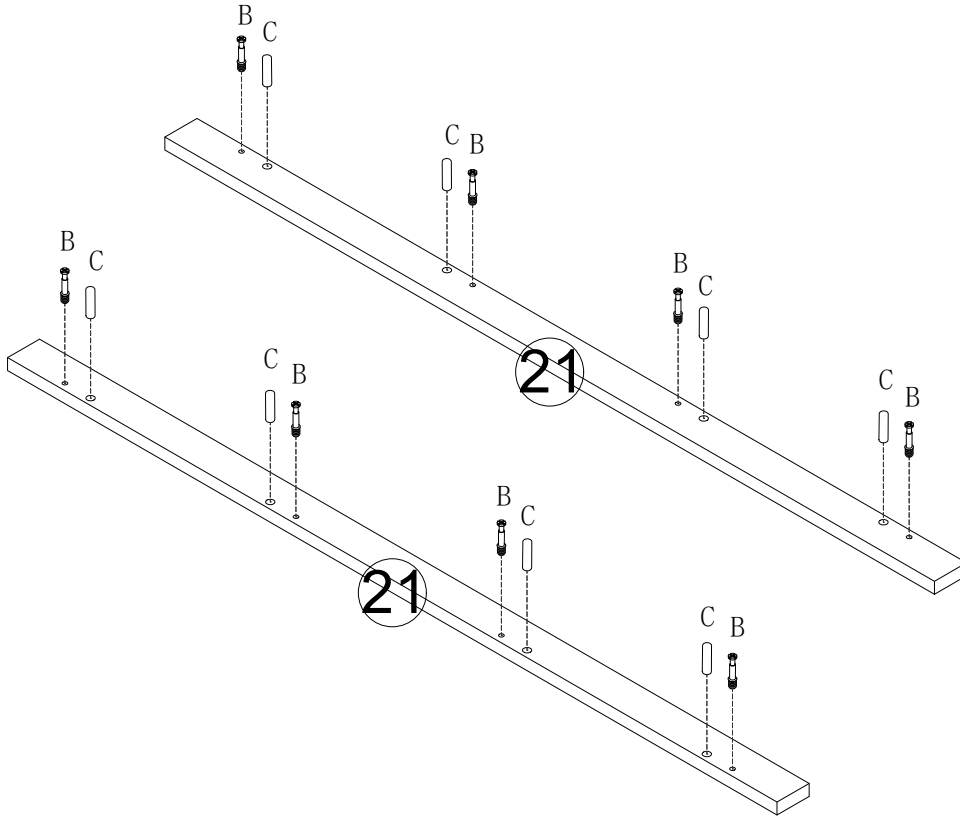
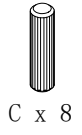
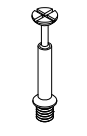
B x 4



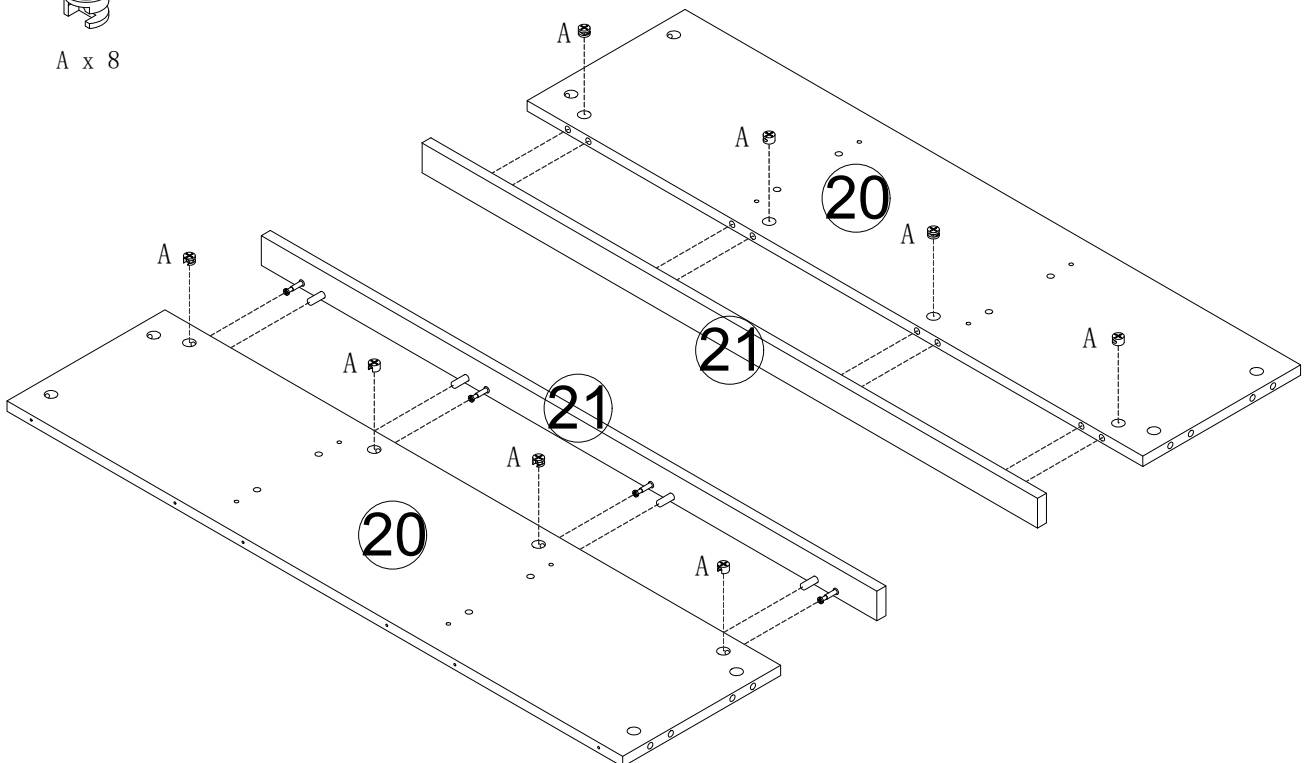
C x 4



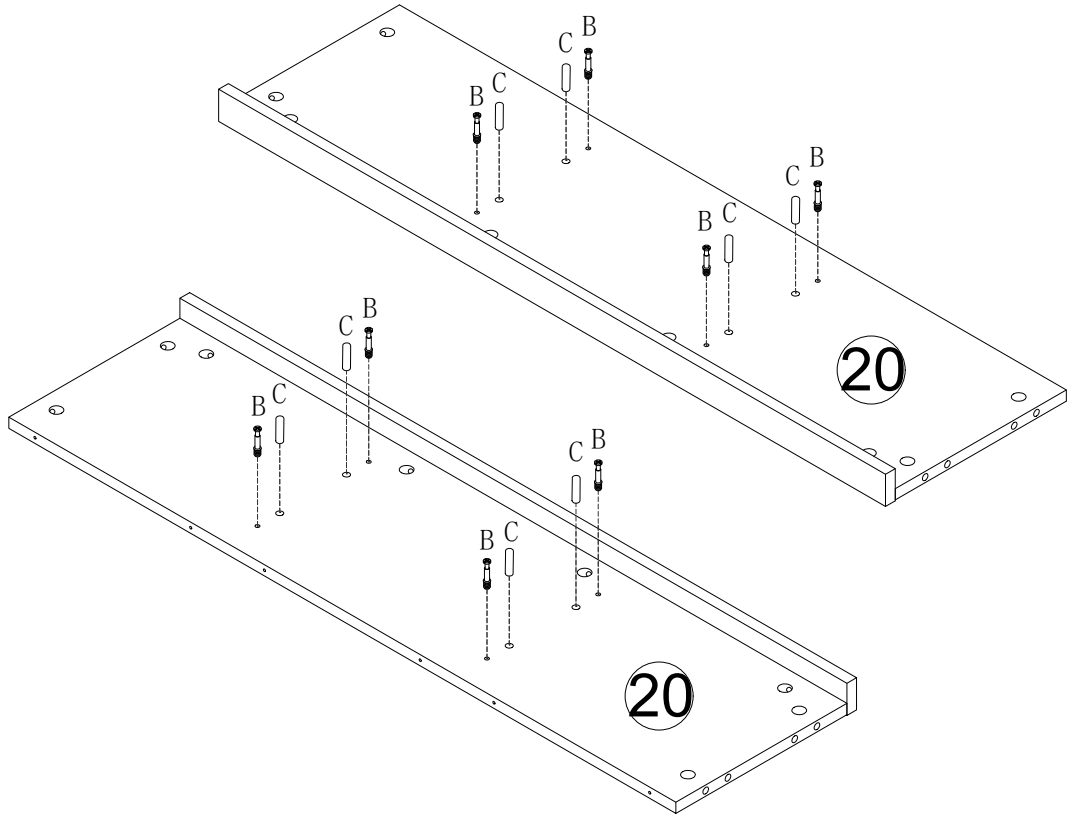
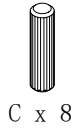
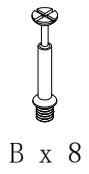
STEP#23



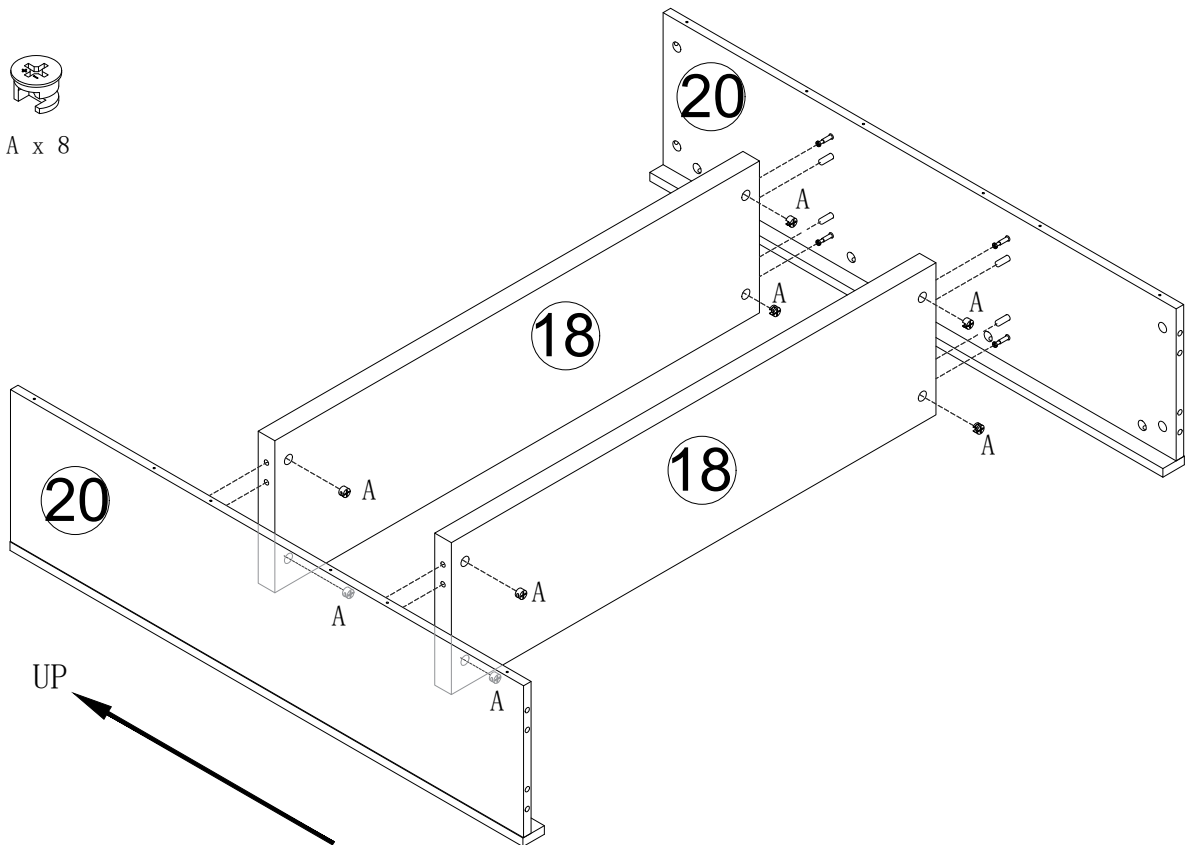
STEP#24



STEP#25



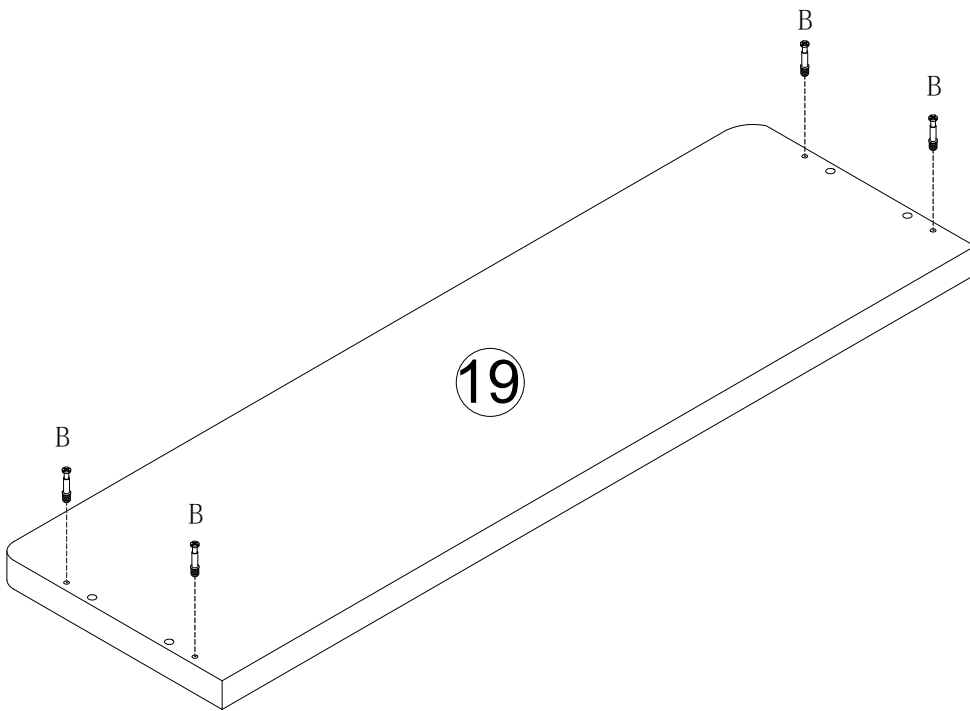
STEP#26



STEP#27



B x 4



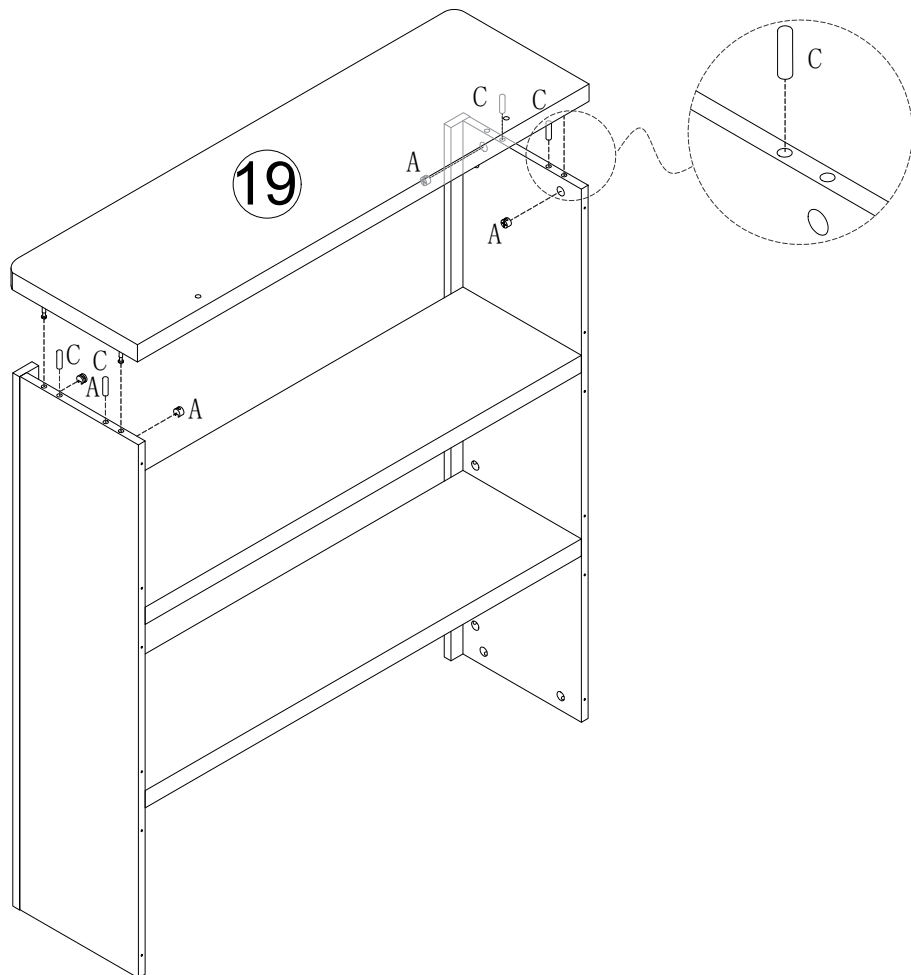
STEP#28



A x 4



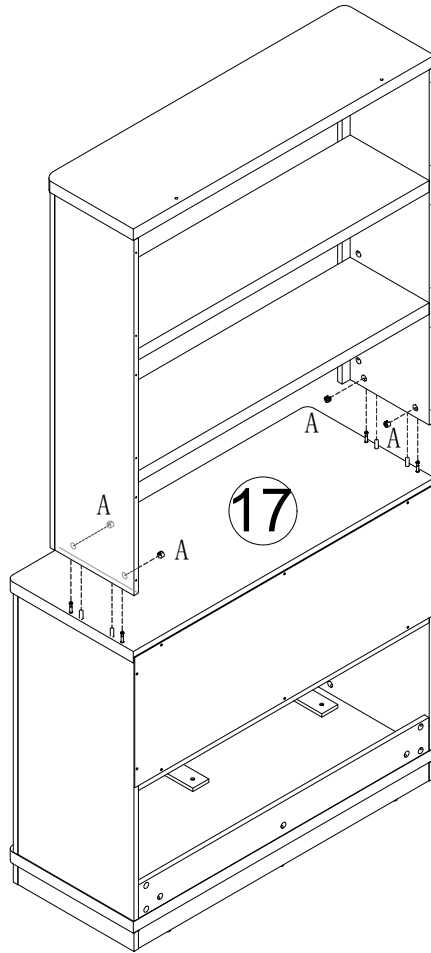
C x 4



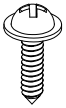
STEP#29



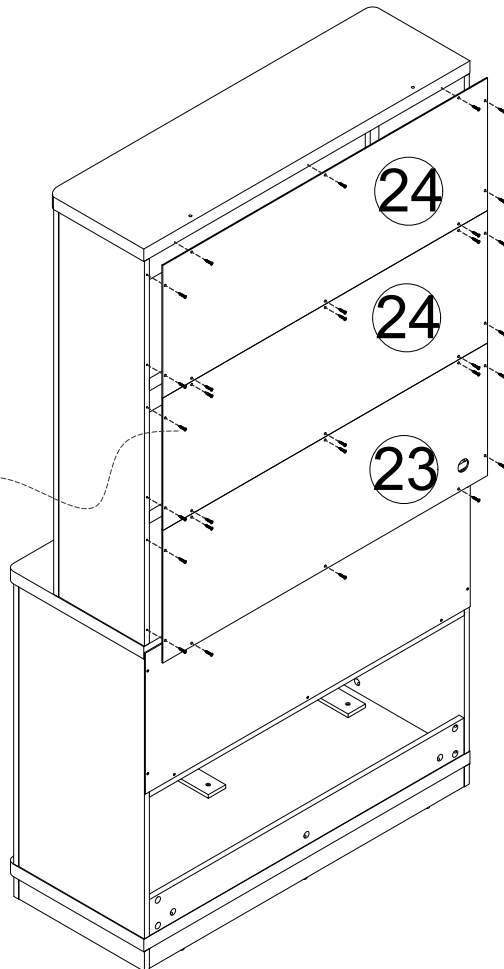
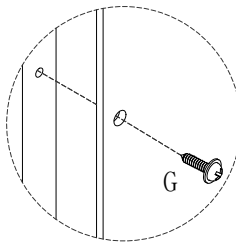
A x 4



STEP#30



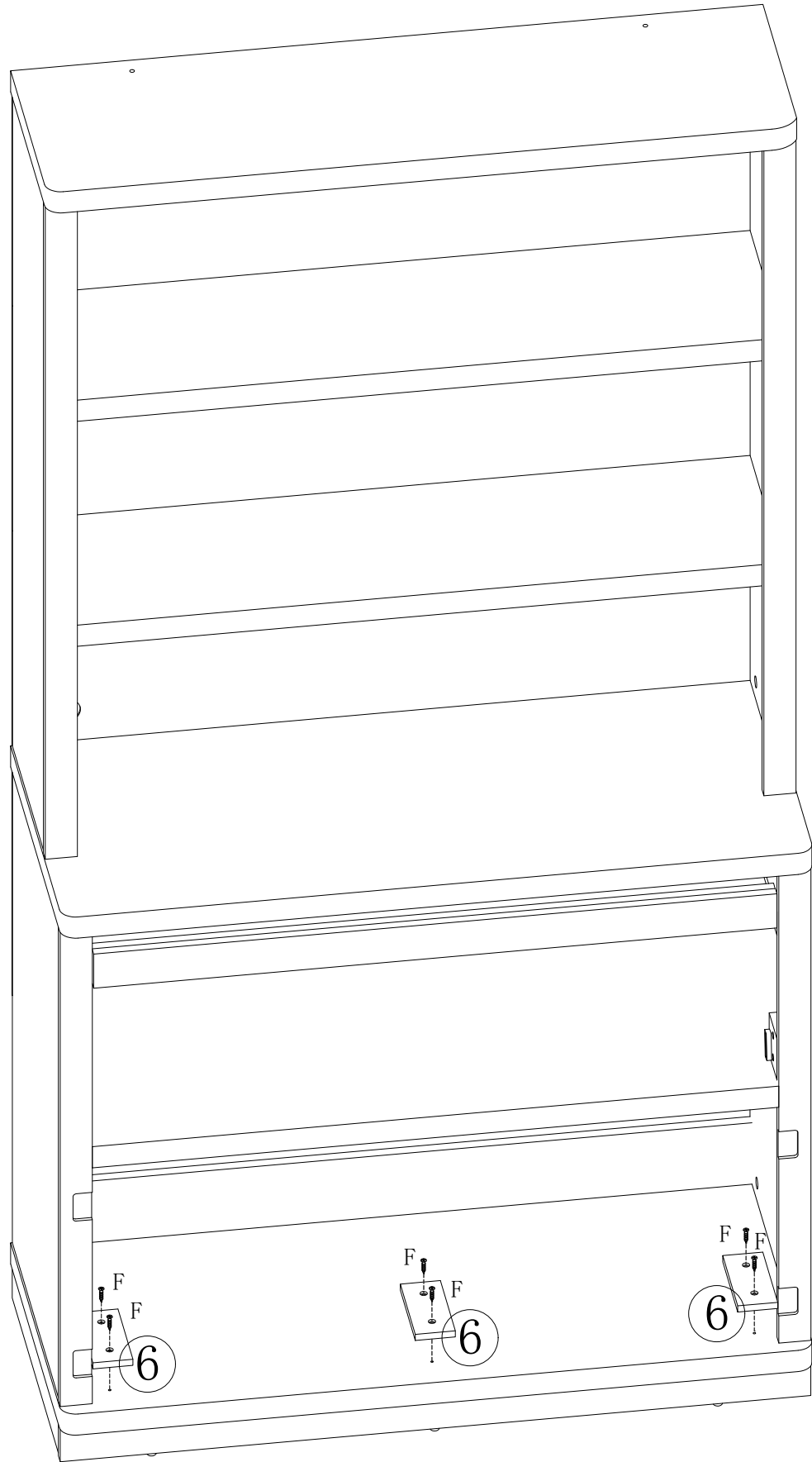
G x 30



STEP#31



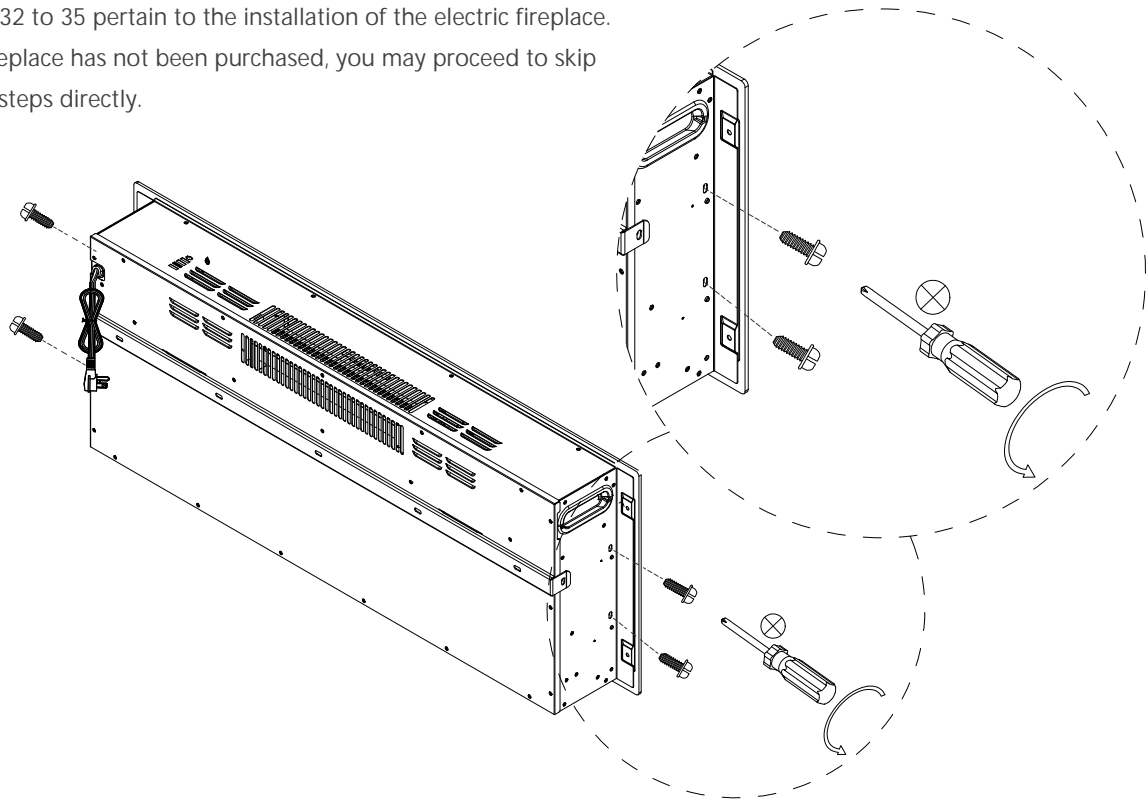
F x 6



If an electric fireplace has not been purchased, this accessory may be omitted from installation.

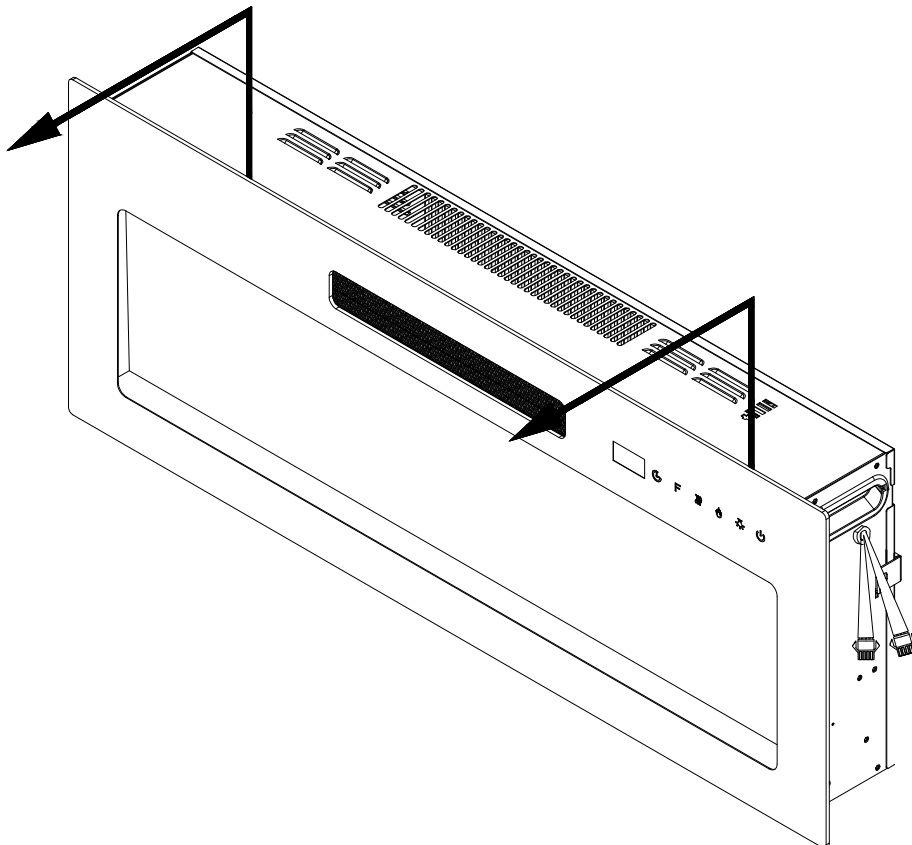
STEP#32

Steps 32 to 35 pertain to the installation of the electric fireplace.
If a fireplace has not been purchased, you may proceed to skip these steps directly.



Remove four pcs screws at bothe sides.

STEP#33

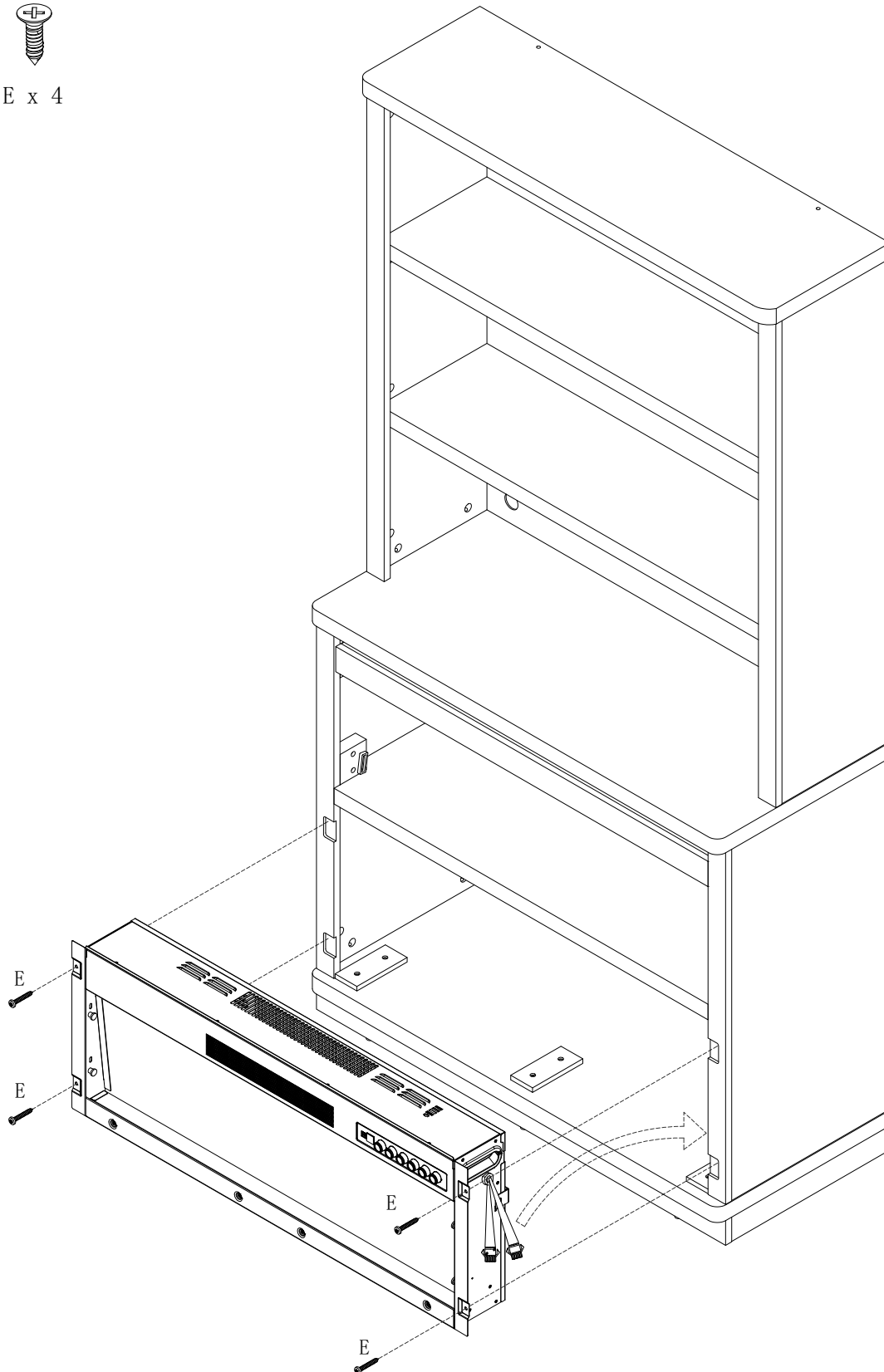


Lift the glass combination up and take it out.

STEP#34

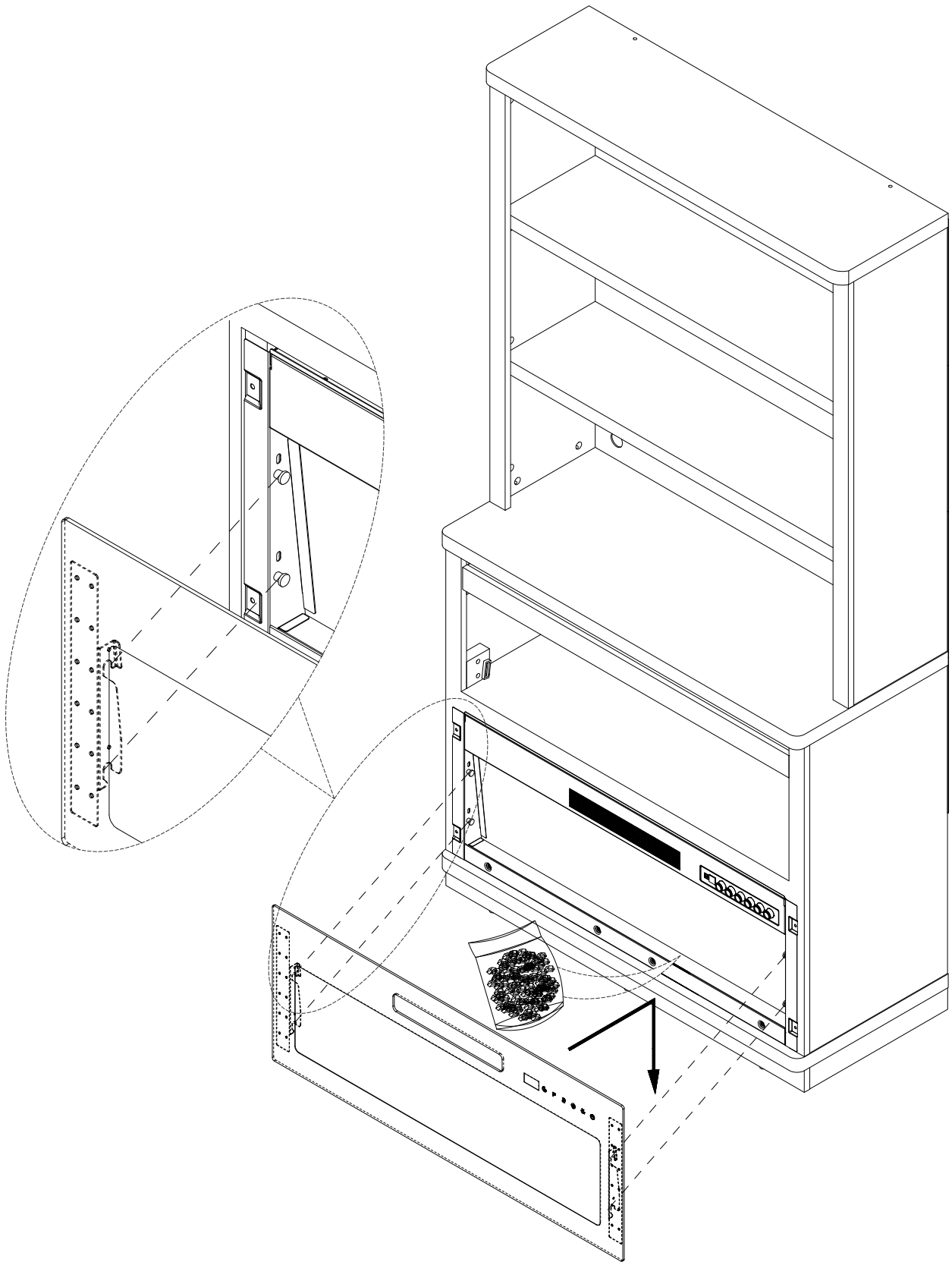


E x 4



Place the electric fireplace in the wooden cabinet from front to back and fix the electric fireplace to the wooden cabinet with 4 screws.

STEP#35



Put the crystal on the tray and put the front glass assembly in the electric fireplace.

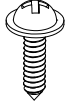
Please refer to the mantel manual for operation of the electric fireplace.

STEP#36

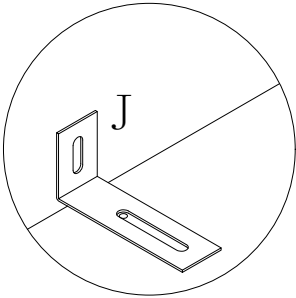
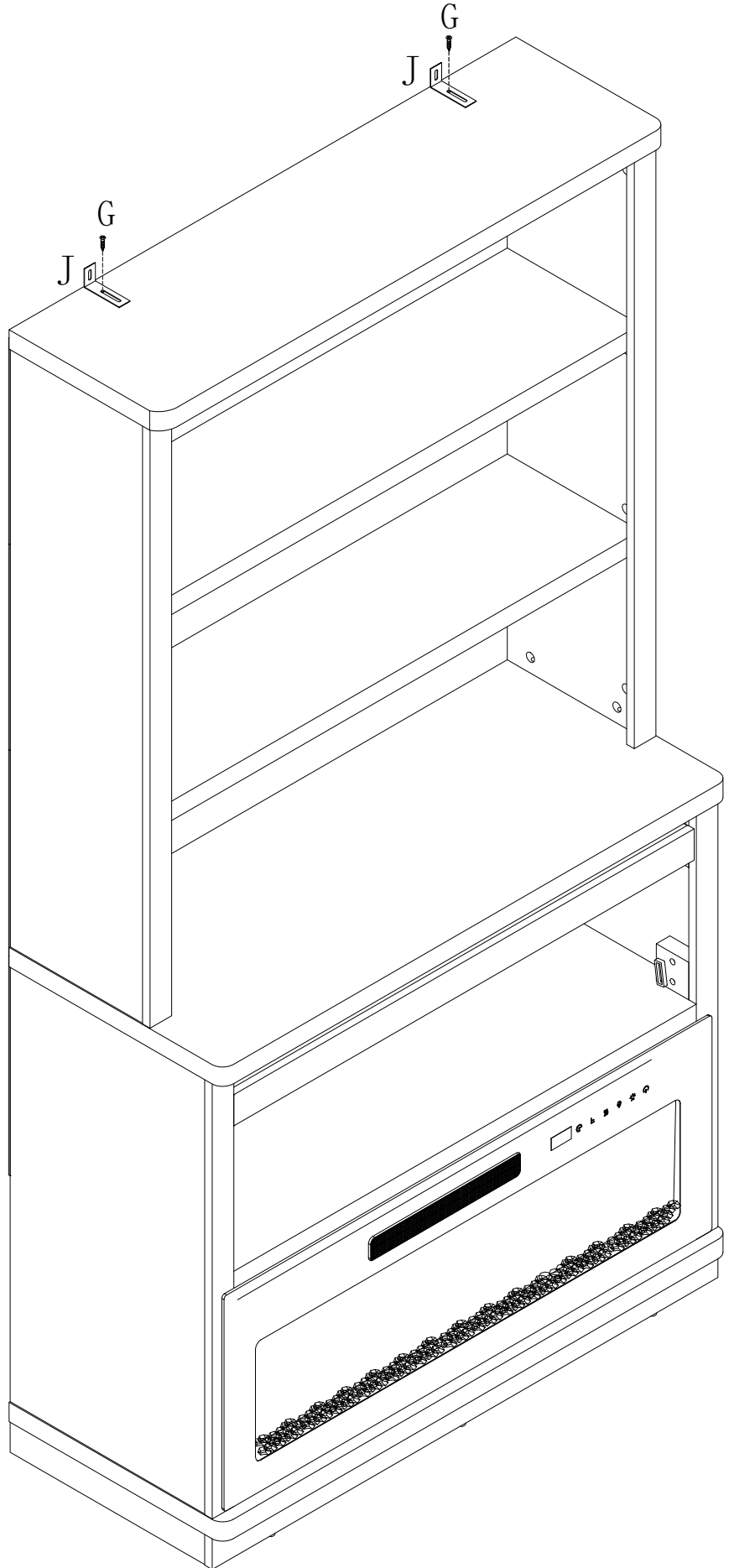
Place the bookcase in the desired position.



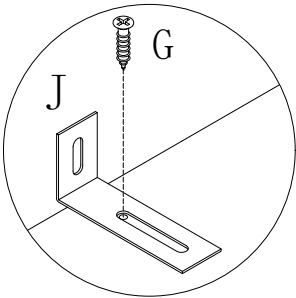
J x 2



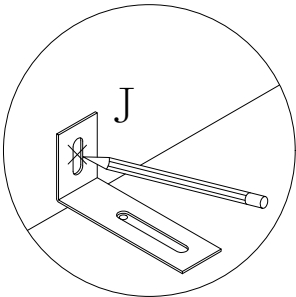
G x 2



1、 Place the iron sheet flush against the wall.



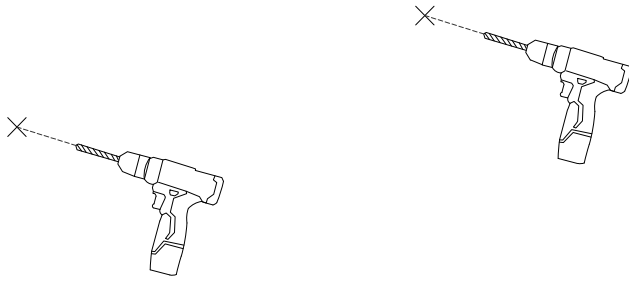
2、 Fasten the iron sheet to the bookcase with screws.



3、 Mark the position of the iron sheet on the wall.

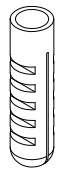
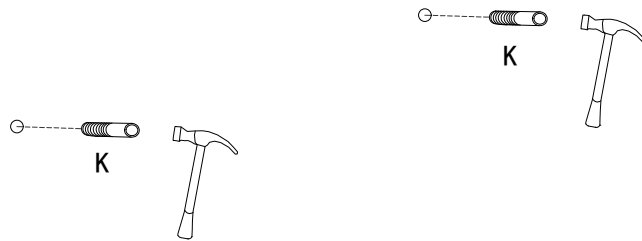
STEP#37

Make two holes 40mm deep



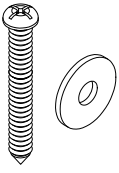
Wall

STEP#38



K x 2

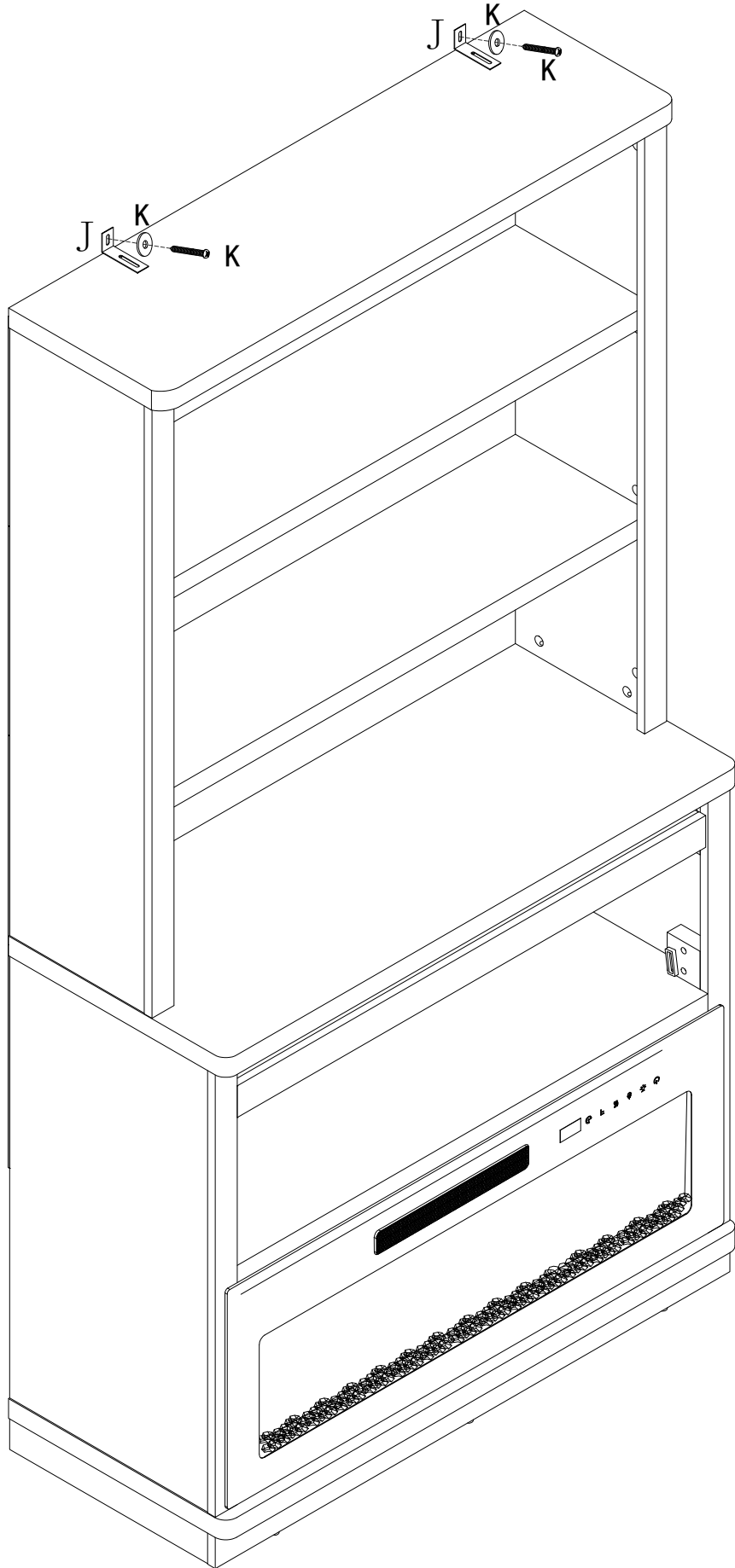
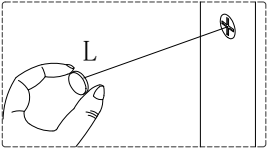
STEP#39



K x 2

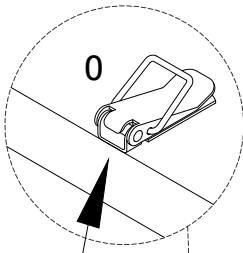


L x 71



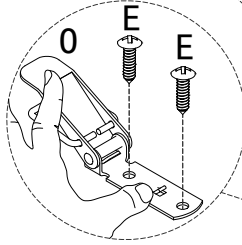
STEP#40

Adjust the distance of the hook plate.

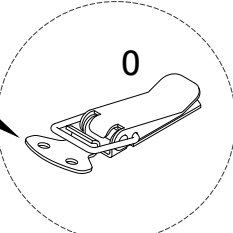


1

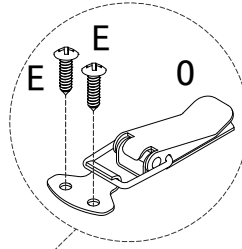
Align flush with the edge of the bookcase.



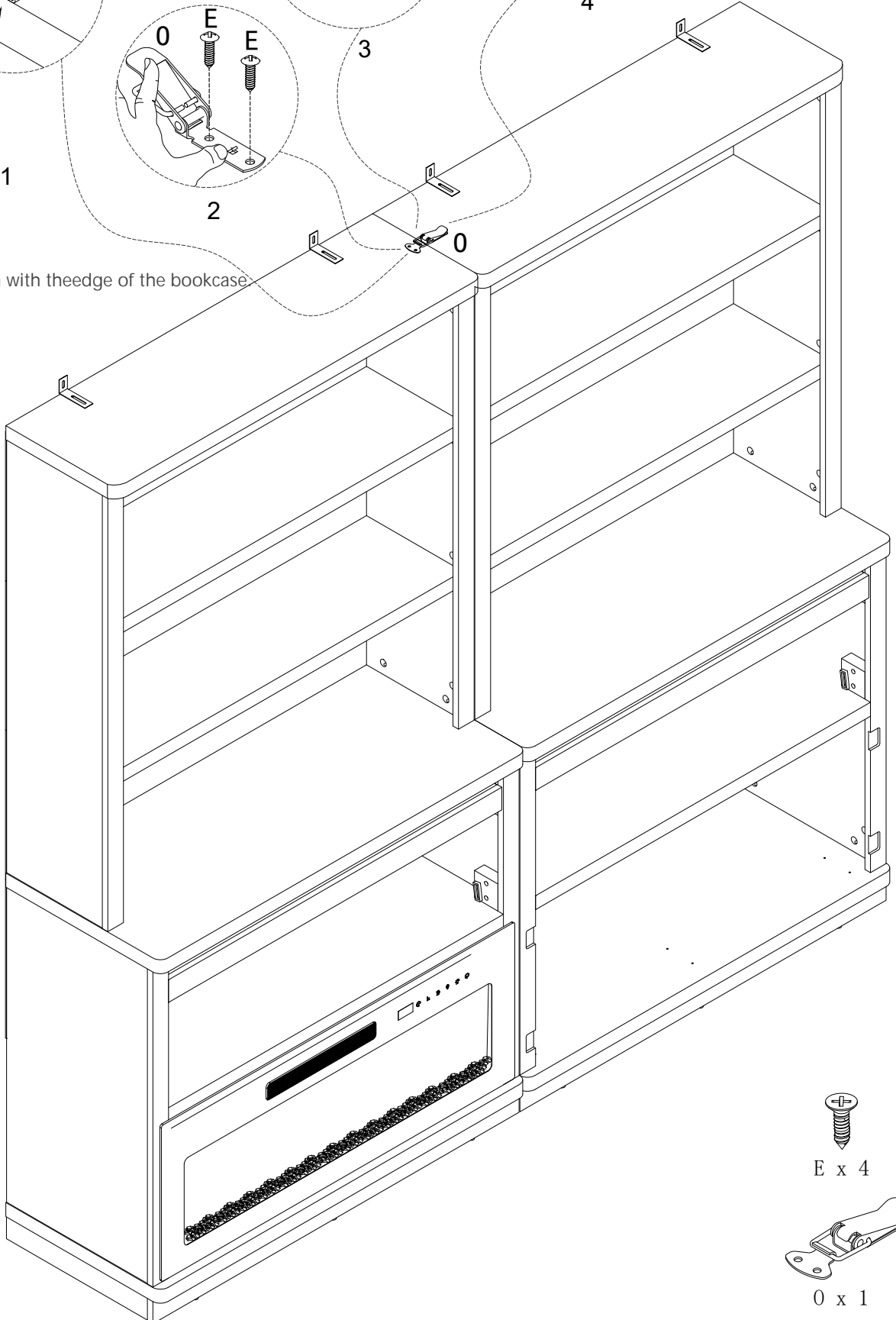
2



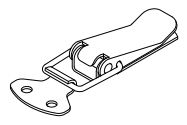
3



4



E x 4



0 x 1

WARRANTY CARD

Your warranty includes

- **30 Days Money Back Guaranty**

Within the first 30 days of your purchase, you are allowed to return your product for a full refund.

- **30 Days to 3 Months(6 Months)**

We will replace the defective unit due to manufacturer fault with a new one. (You will receive extra 3 Months warranty if you register on our website.)

- **3 Months to 24 Months**

Within 24 Months, we will provide timely and effective online after-sales service after your purchase.

