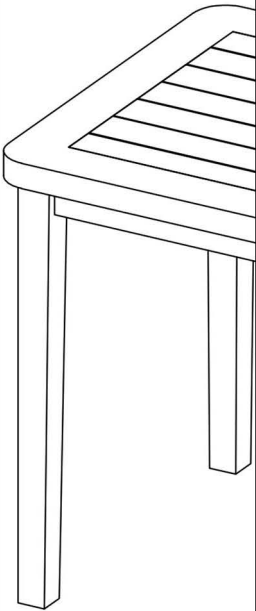


Owner Manual



WARRANTY

We strive to offer high quality product and we also try our best to satisfy each customer that order from us, no matter on products or services as needed. Each customer receives a record of their order, such as the order number or item receipt. For any items that are out of warranty period, you may still be able to purchase the replacement parts from our company if they are available.



MAINTENANCE AND WARNING

Please read the manual thoroughly
before you start installing.

Please keep the product away from
sharp object.

Packaging and small parts may have
chocking hazard, please keep them away
from children and pets.

Please clean the product according to each
clean code, check the product description
for more information.

Please keep the product away from
fire.

If you have any other questions, please
contact us, we will be glad to help you out.

If the product is placed under direct
sunlight, the pattern or color might fade
away overtime.

Check the product periodically to make
sure everything is secured and tightened.

Always use proper tools for installation.

Do not jump on the product.



Around 15 min

PRODUCT DESCRIPTION

Entirely crafted from premium solid teak wood, ensuring excellent durability and lasting weather resistance outdoors.

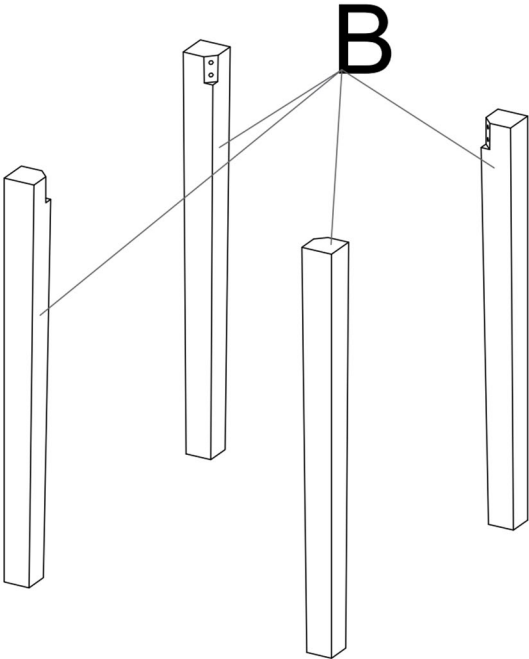
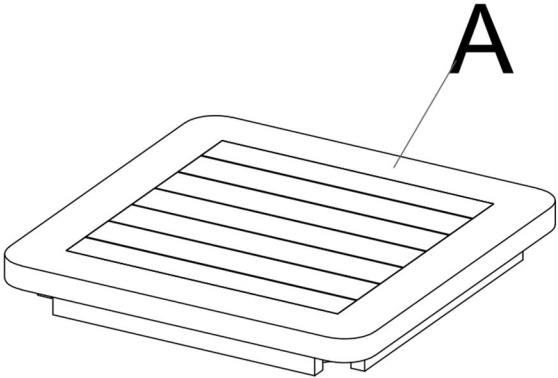
Spacious square tabletop offers ample room for drinks, snacks, décor, or even a small plant.

Clean-lined minimalist design pairs beautifully with various patio seating styles and outdoor setups.

Compact size and lightweight construction make repositioning effortless throughout your outdoor space.

A perfect addition for creating a cozy, stylish, and functional outdoor relaxation nook.

EXPLODED VIEW



PARTS

A*1

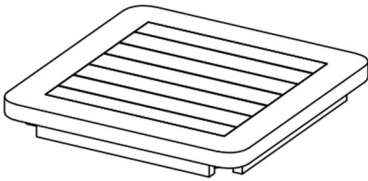


Table top

B*4

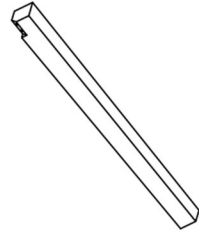


Table legs

HARDWARE

TOOL LIST

NOTE: Designated with (★) We provide additional spare parts in the hardware package

①*8



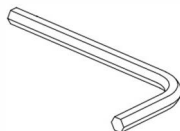
★M6*50mm
Bolts

②*8



★Ø6*18mm
Flat washer

③*1

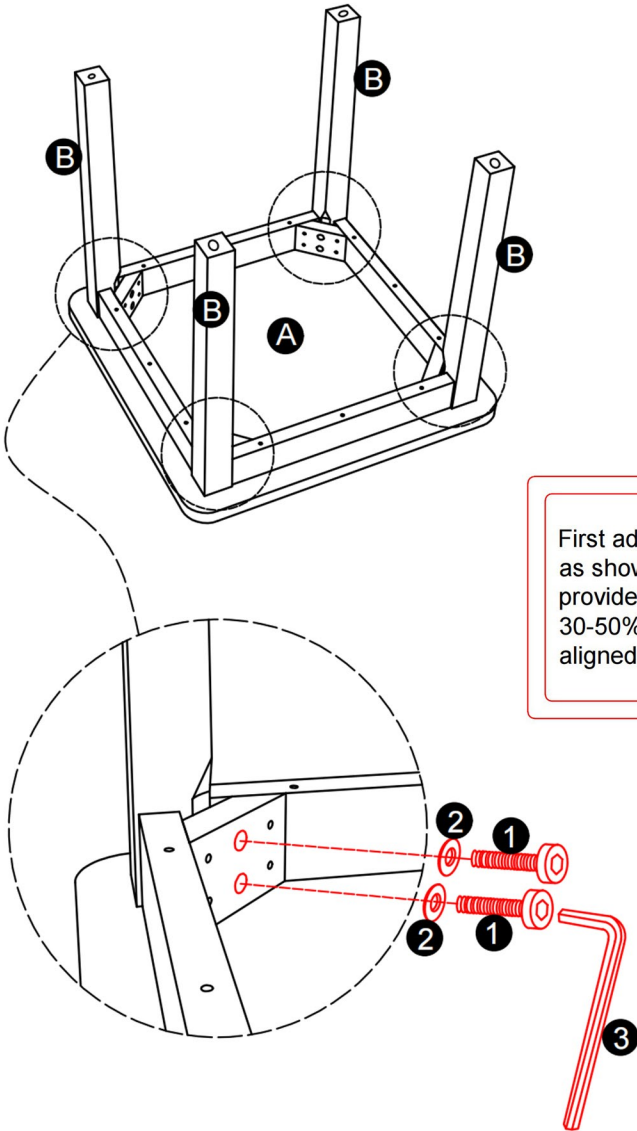


Allen key

Please make sure all hardware & packing material fitting the list. Especially some small accessories may be missing during transportation. Please contact us if you have any question.

step 1 ---Install the legs

Fix the legs (B) to the table top (A) by inserting the bolts (1) and washers (2) into the designated bolt holes on each corner as shown, use the allen wrench (3) provided to tighten all bolts.



!

First add one flat washer on each bolt as shown, use the allen wrench provided to tighten all the bolts by 30-50% first, make sure that all bolts are aligned correctly before fully tightening.

step 2

Clean up the mess and start enjoy it. congratulation! you have complete the assembly, now it's all yours. thank you for reading!

