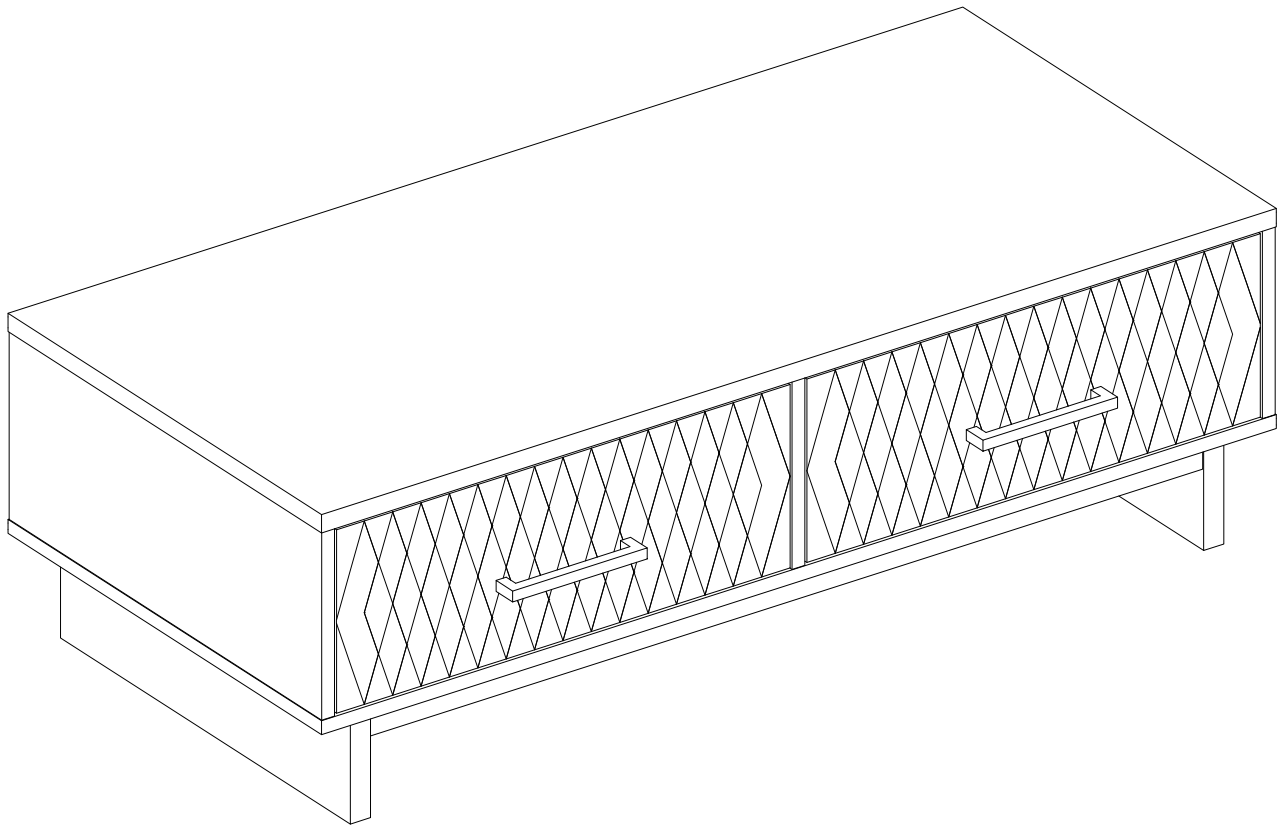


# ASSEMBLY INSTRUCTIONS

(1pc / carton)

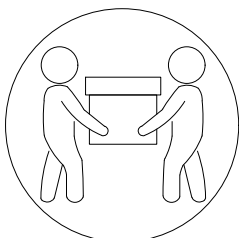
Thank you for purchasing our product.

We appreciate your trust and hope you enjoy your new furniture.

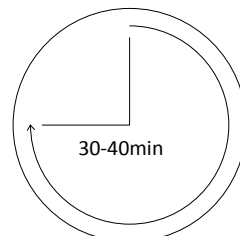


## Notice:

1. Place a protective mat or cloth on the floor to prevent scratches.
2. Follow these assembly instructions. Make sure all parts and hardware are included before starting.
3. Do not fully tighten the bolts during assembly. Tighten them only after all parts are properly aligned.
4. If you have any questions, please contact our customer support team or call us directly.

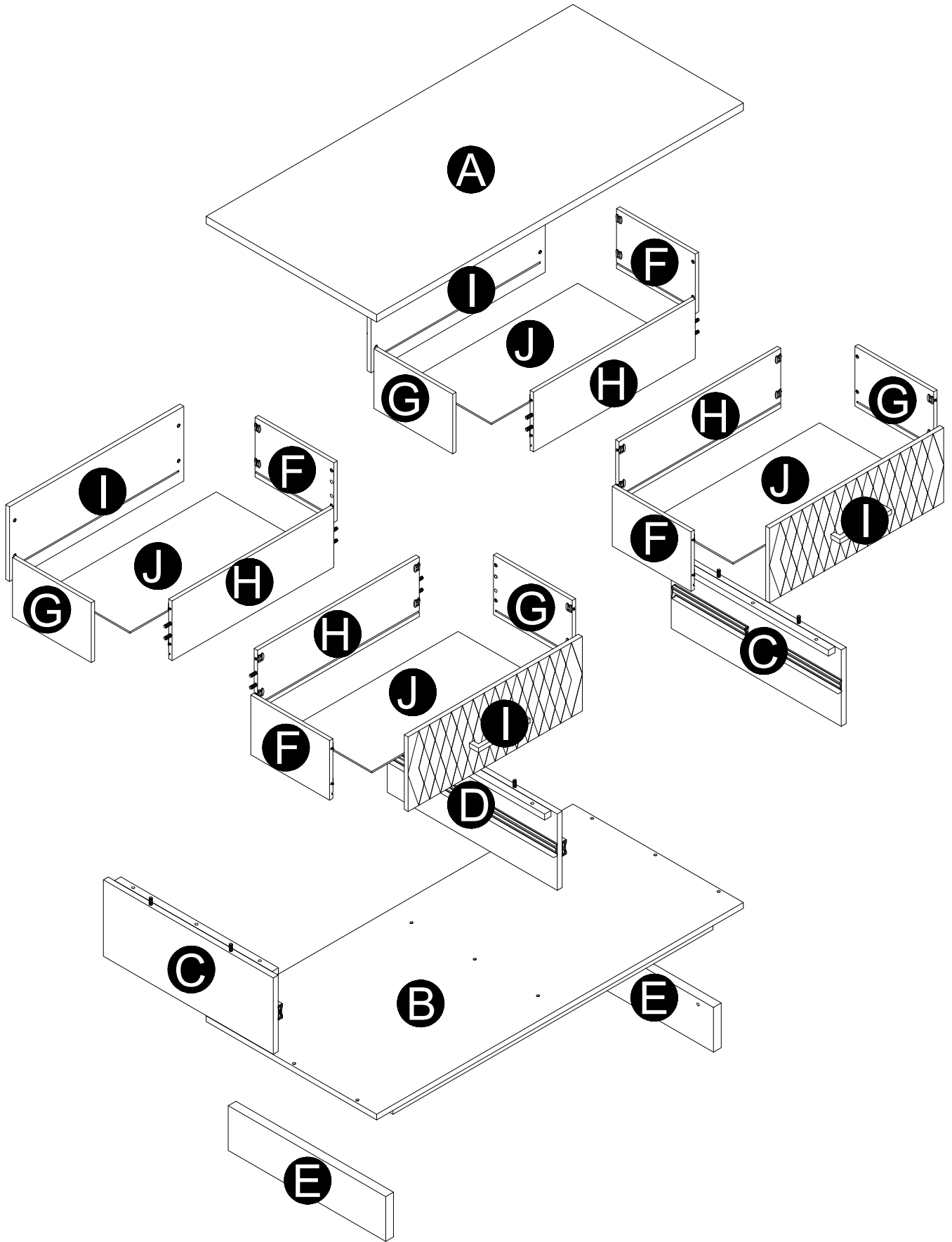


Recommended Assembly: 2 people


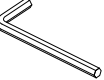
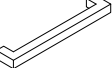

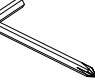


Estimate installation time

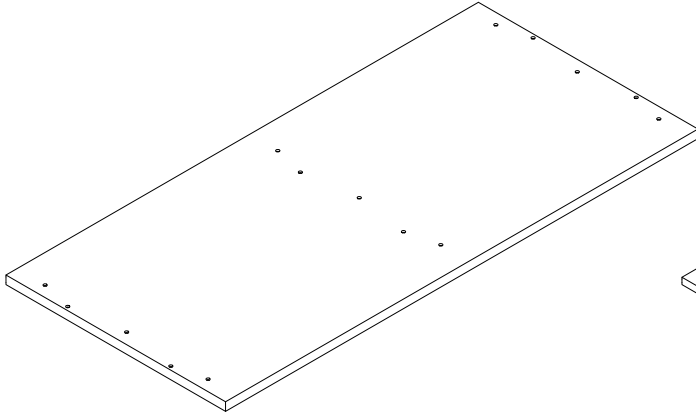
# Assembly Explosion Diagram



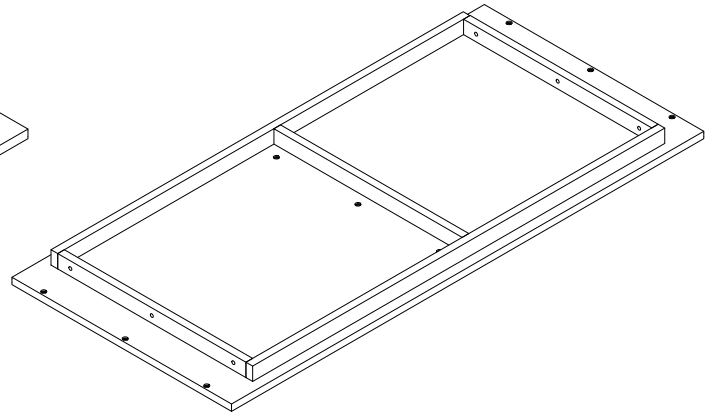
## Hardware

|  |   |  |  |  |
|--|---|--|--|--|
| <p><b>1</b> x 24 PCS</p>  <p>Bolt<br/>1/4"30 mm</p> | <p><b>2</b> x 1 PC</p>  <p>Hex key<br/>59*23*5mm</p> | <p><b>3</b> x 4 PCS</p>  <p>Handles</p> | <p><b>4</b> x 8 PCS</p>  <p>Bolt<br/>Ø4*25 mm</p> | <p><b>5</b> x 1 PC</p>  <p>Torx key<br/>59*23*5mm</p> |
|--|---|--|--|--|

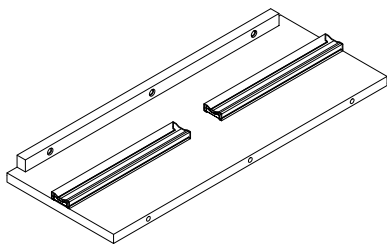
## Parts



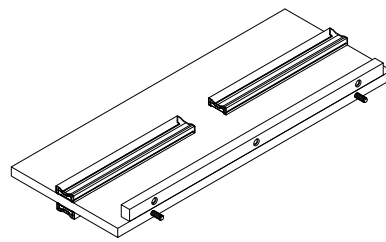
**A** x1PC  
Top panel



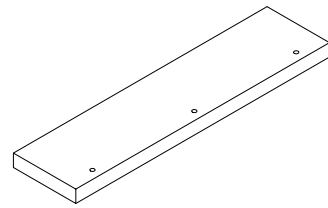
**B** x1PC  
Base panel



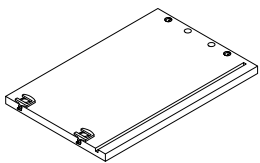
**C** x2PCS  
Side vertical panels



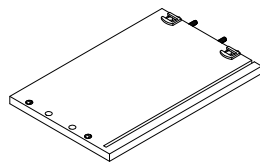
**D** x1PC  
Central vertical panel



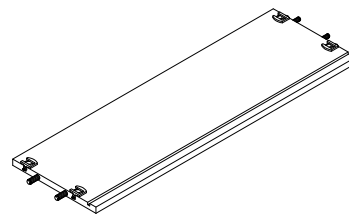
**E** x2PCS  
Bottom footboards



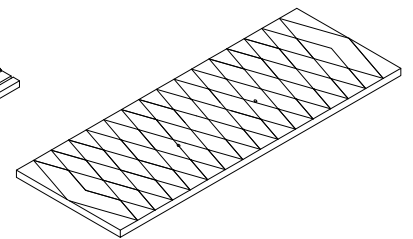
**F** x4PCS  
Left drawer panels



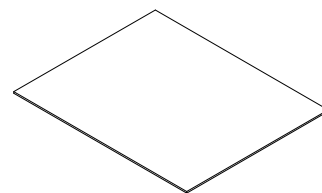
**G** x4PCS  
Right drawer panels



**H** x4PCS  
Drawer back panels



**I** x4PCS  
Drawer front panels

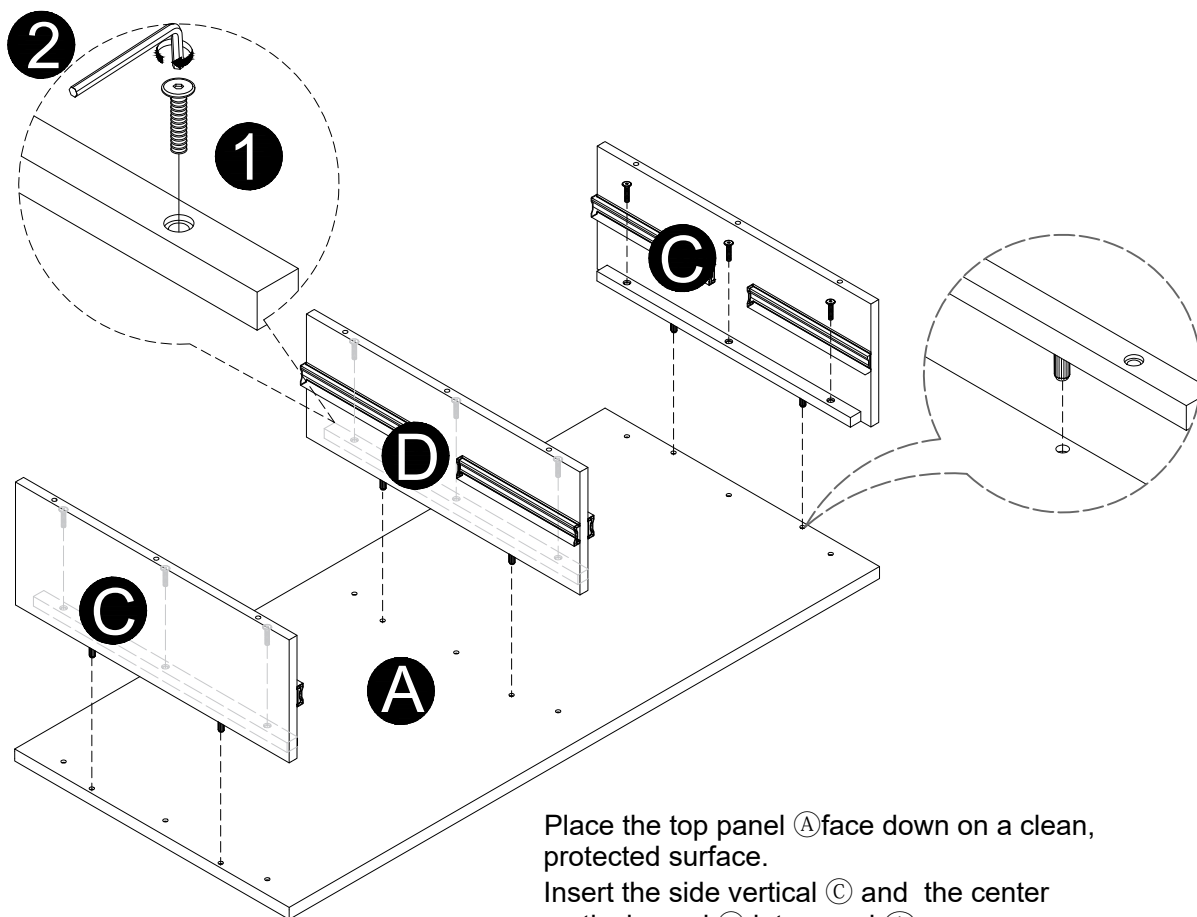


**J** x4PCS  
Drawer bottom panels

1 ①x 9 PCS



Bolt  
1/4\*30 mm



Place the top panel **A** face down on a clean, protected surface.

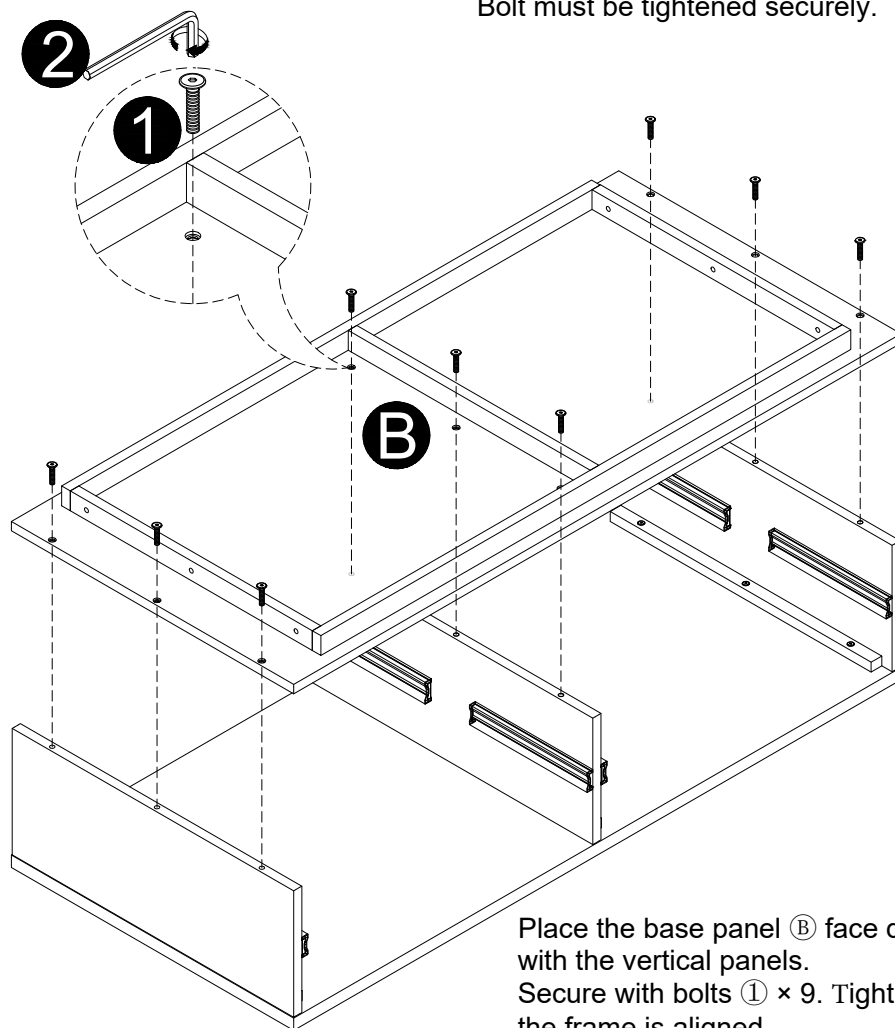
Insert the side vertical **C** and the center vertical panel **D** into panel **A**.

Align the holes and secure with bolts **①** × 9. Bolt must be tightened securely.

2 ①x 9 PCS



Bolt  
1/4\*30 mm

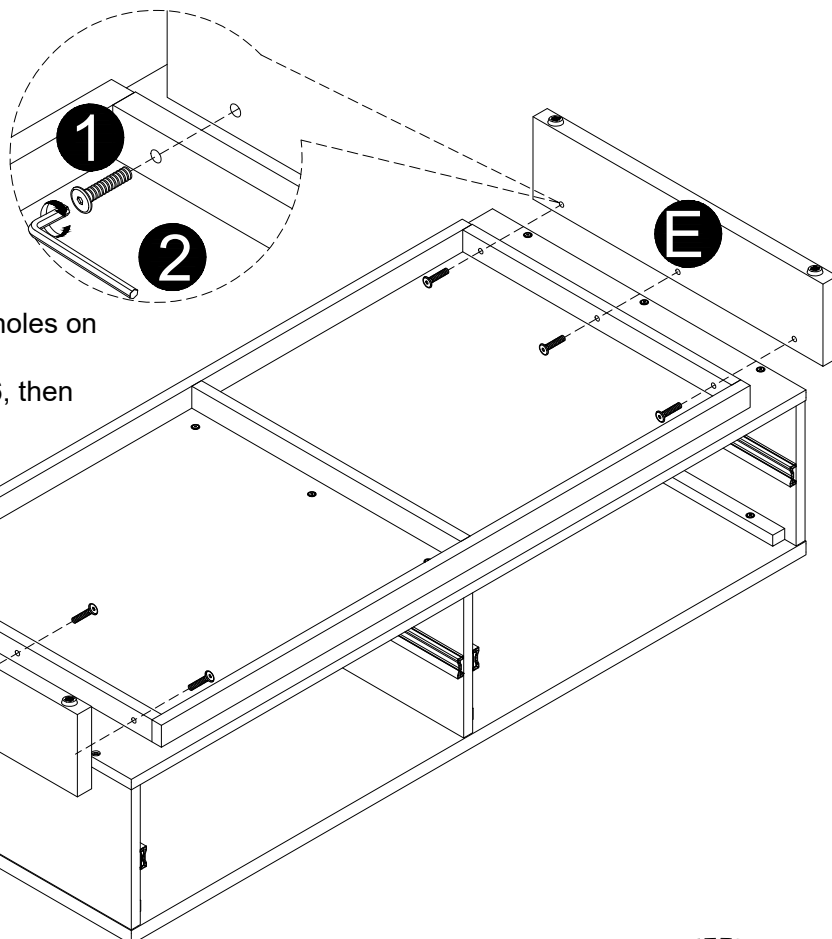


Place the base panel **B** face down and align it with the vertical panels.

Secure with bolts **①** × 9. Tighten all bolts after the frame is aligned.

3

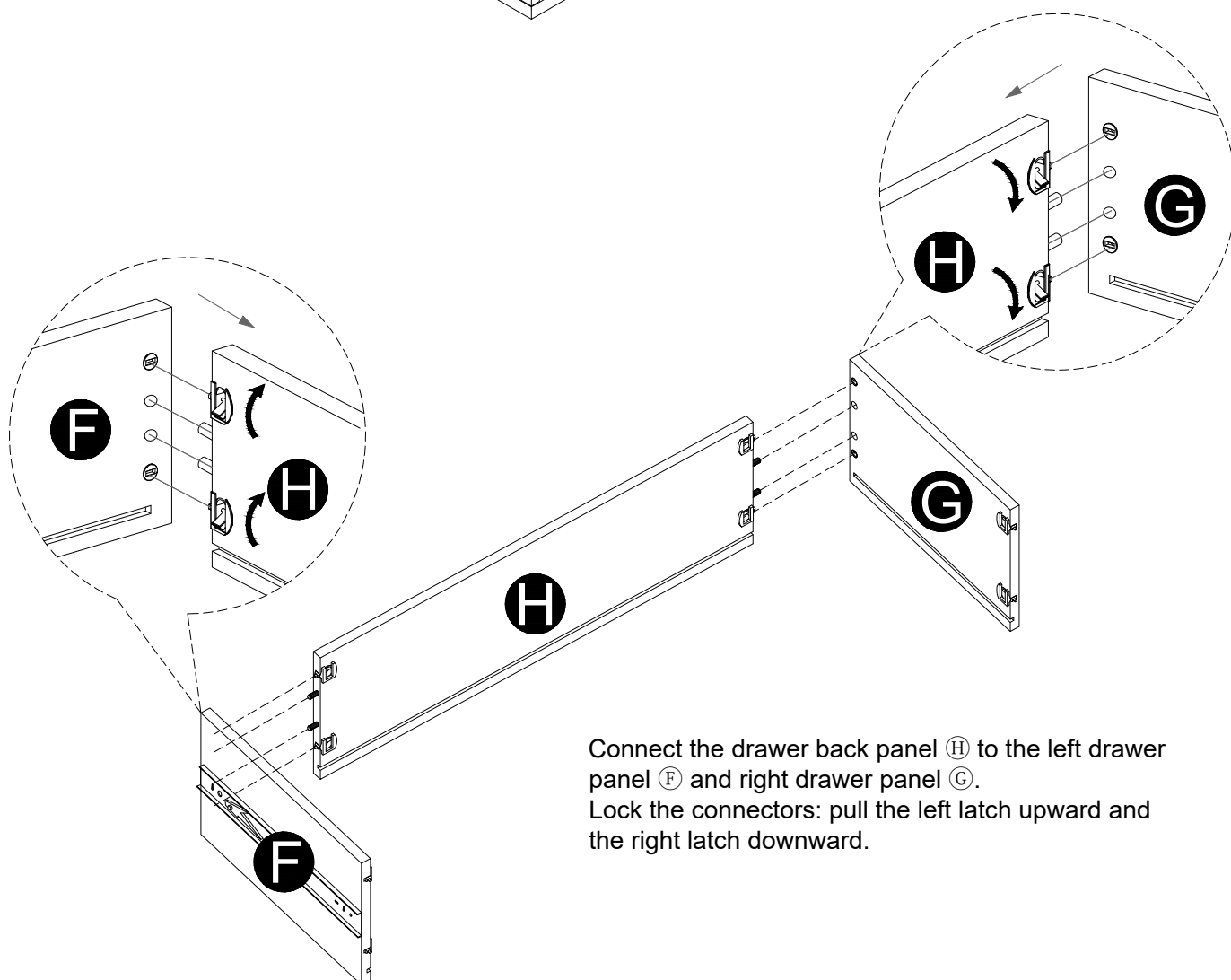
① x 6 PCS

Bolt  
1/4\*30 mm

Align the bottom footboards ⑤ with the holes on the bottom of the frame.

Secure from the inside using bolts ① x 6, then tighten.

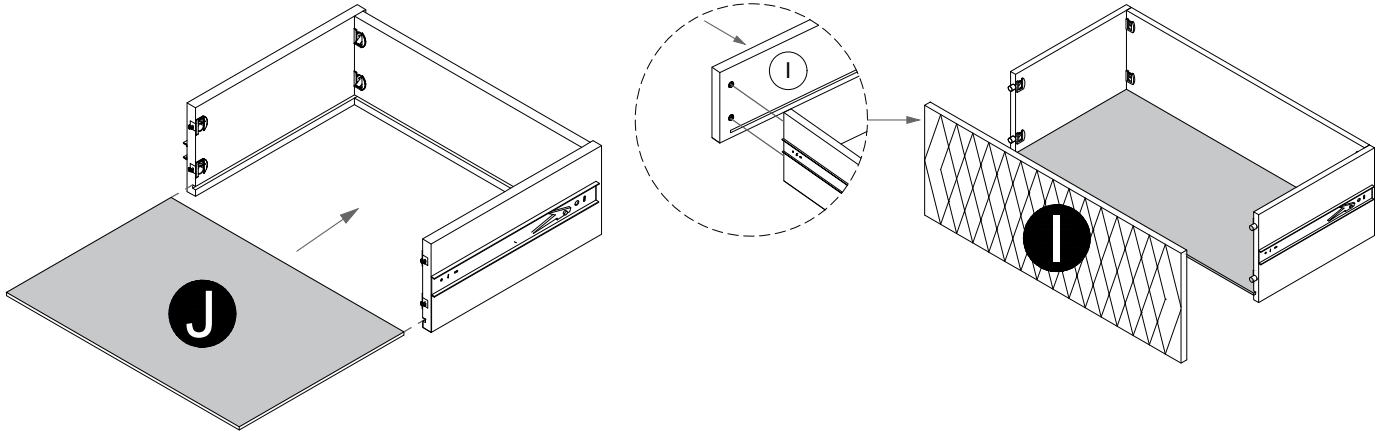
4



Connect the drawer back panel ⑨ to the left drawer panel ⑥ and right drawer panel ⑦.

Lock the connectors: pull the left latch upward and the right latch downward.

Slide the drawer bottom panel **J** into the grooves.  
 Attach the drawer front panel **I**.  
 Repeat to assemble all four drawers.



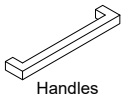
5

4 x 8 PCS

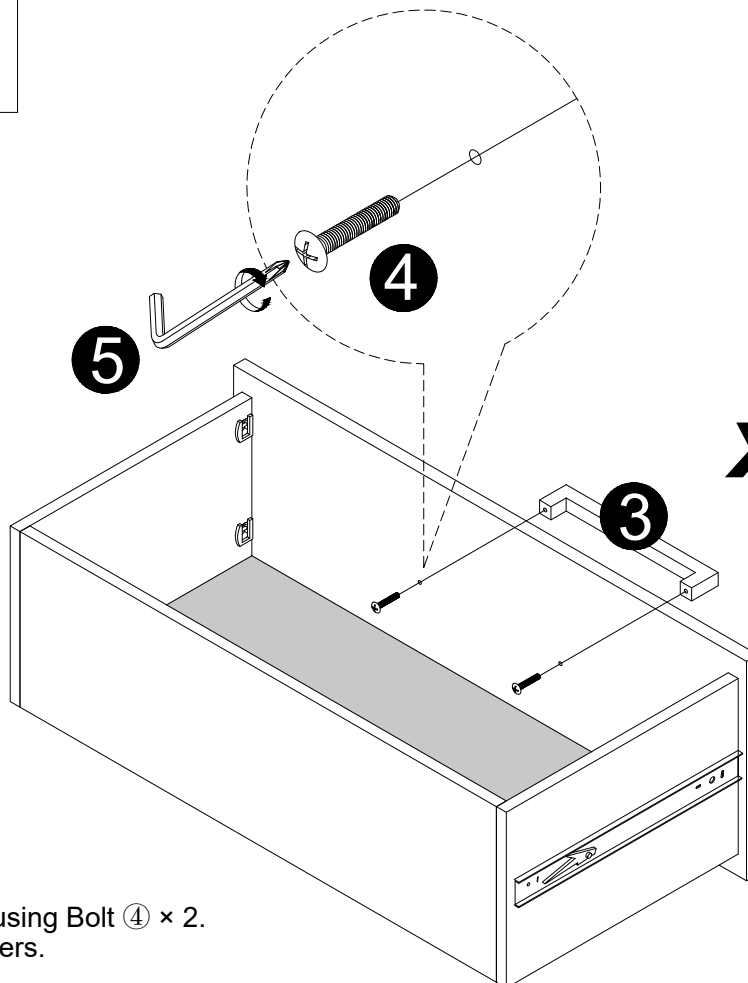


Bolt  
 Ø4\*25 mm

3 x 4 PCS

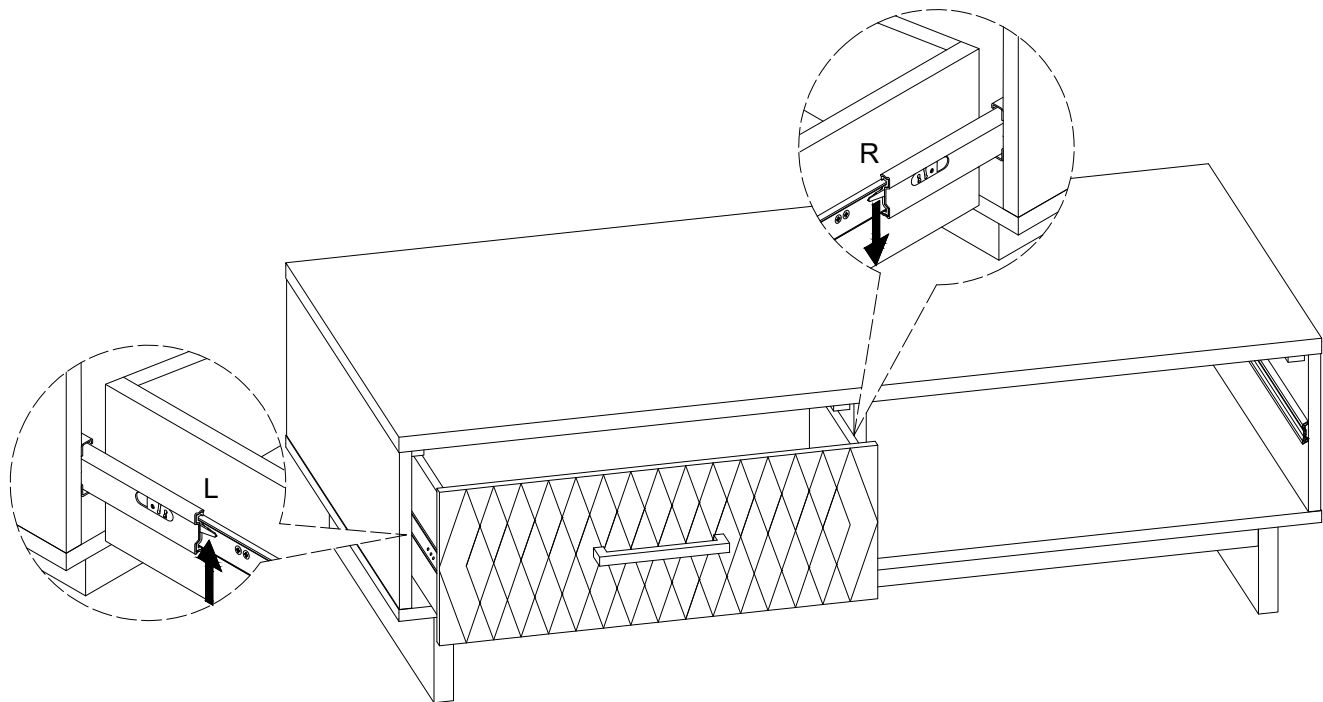


Handles



Attach each handle **3** using Bolt **4** × 2.  
 Repeat for all four drawers.

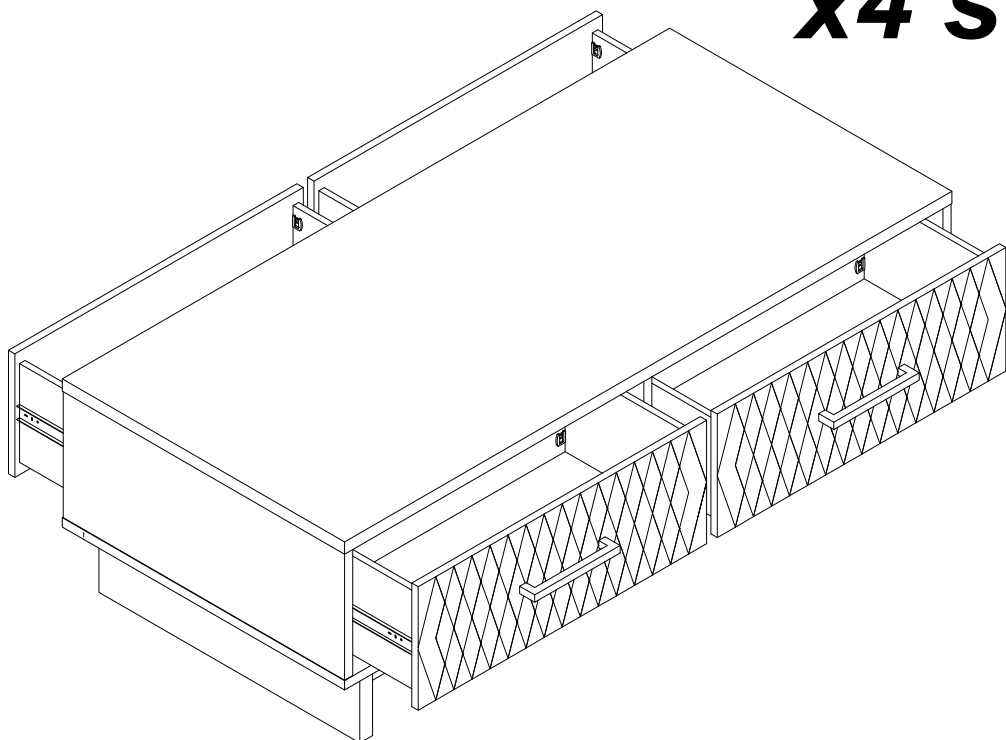
6

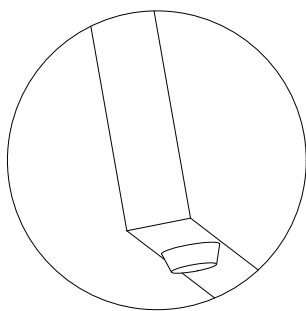
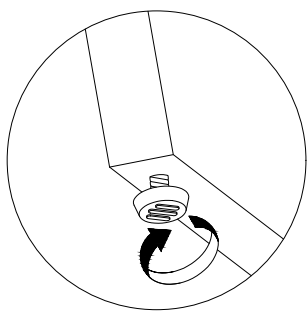
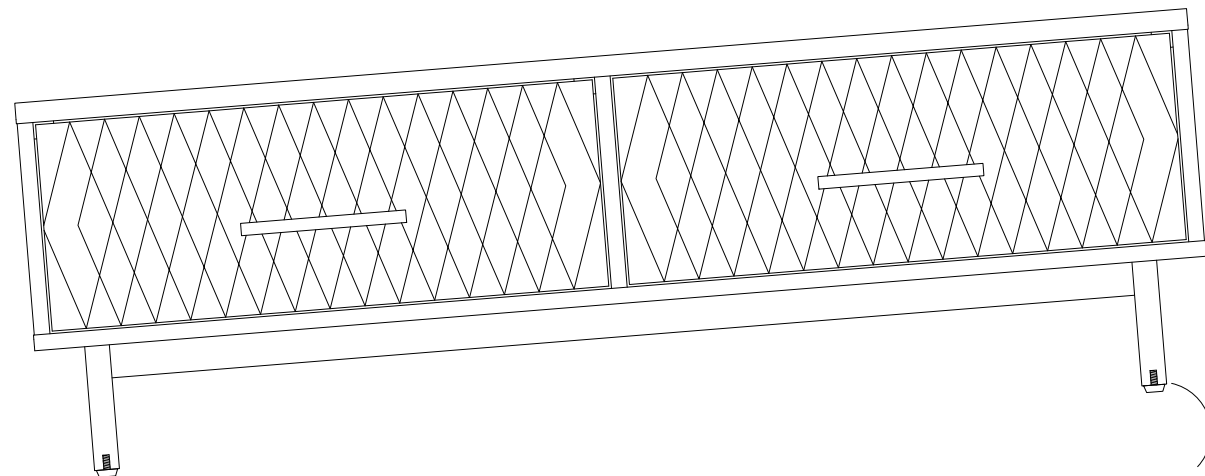


Turn the assembled frame upright. Pull out the drawer slides on both sides. Align the drawer runners with the slides and push the drawer in until it clicks into place. Repeat for all four drawers.

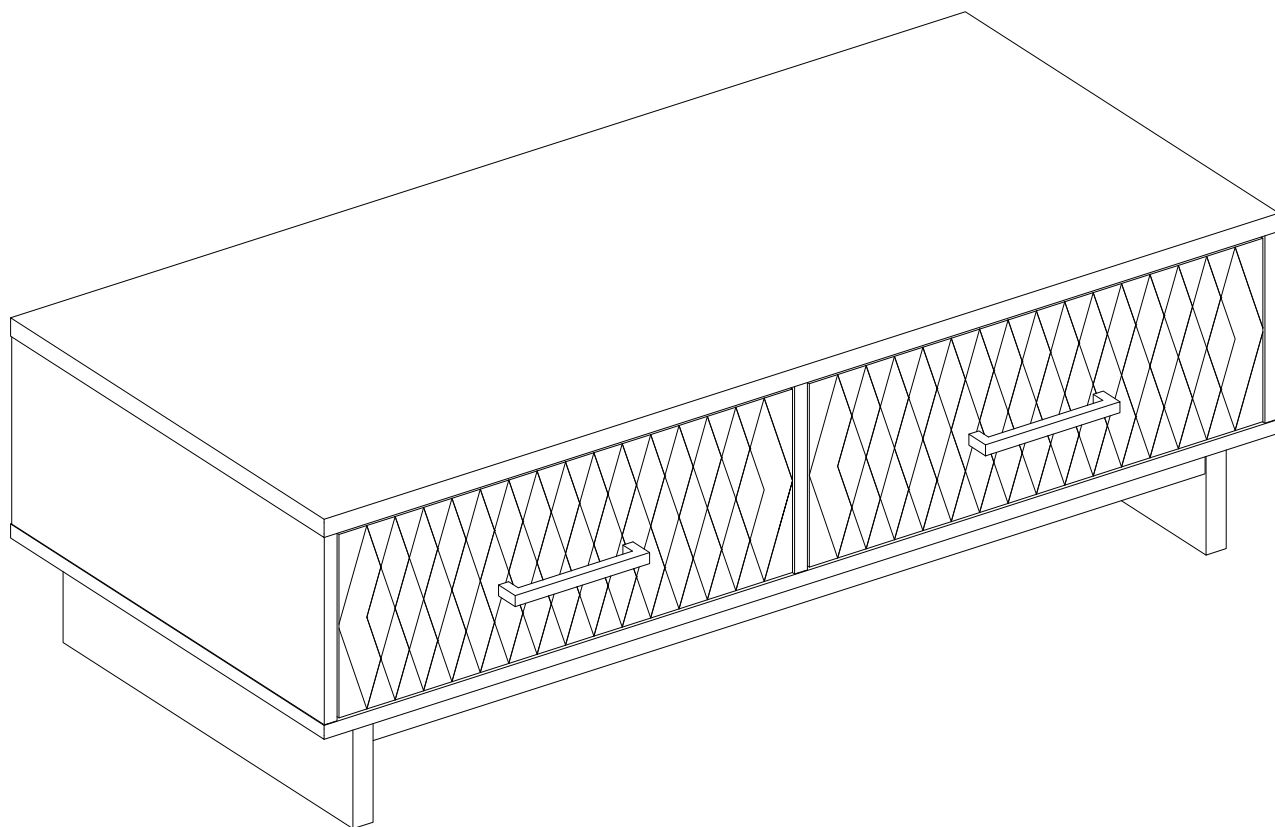
To remove a drawer: pull it out fully, then press the release lever on the left side upward and the release lever on the right side downward at the same time. Pull the drawer out.

**x4 sets**





If the floor is uneven, adjust the leveling feet slightly. Do not extend the leveling feet more than 0.5 inch.



**Completed**