

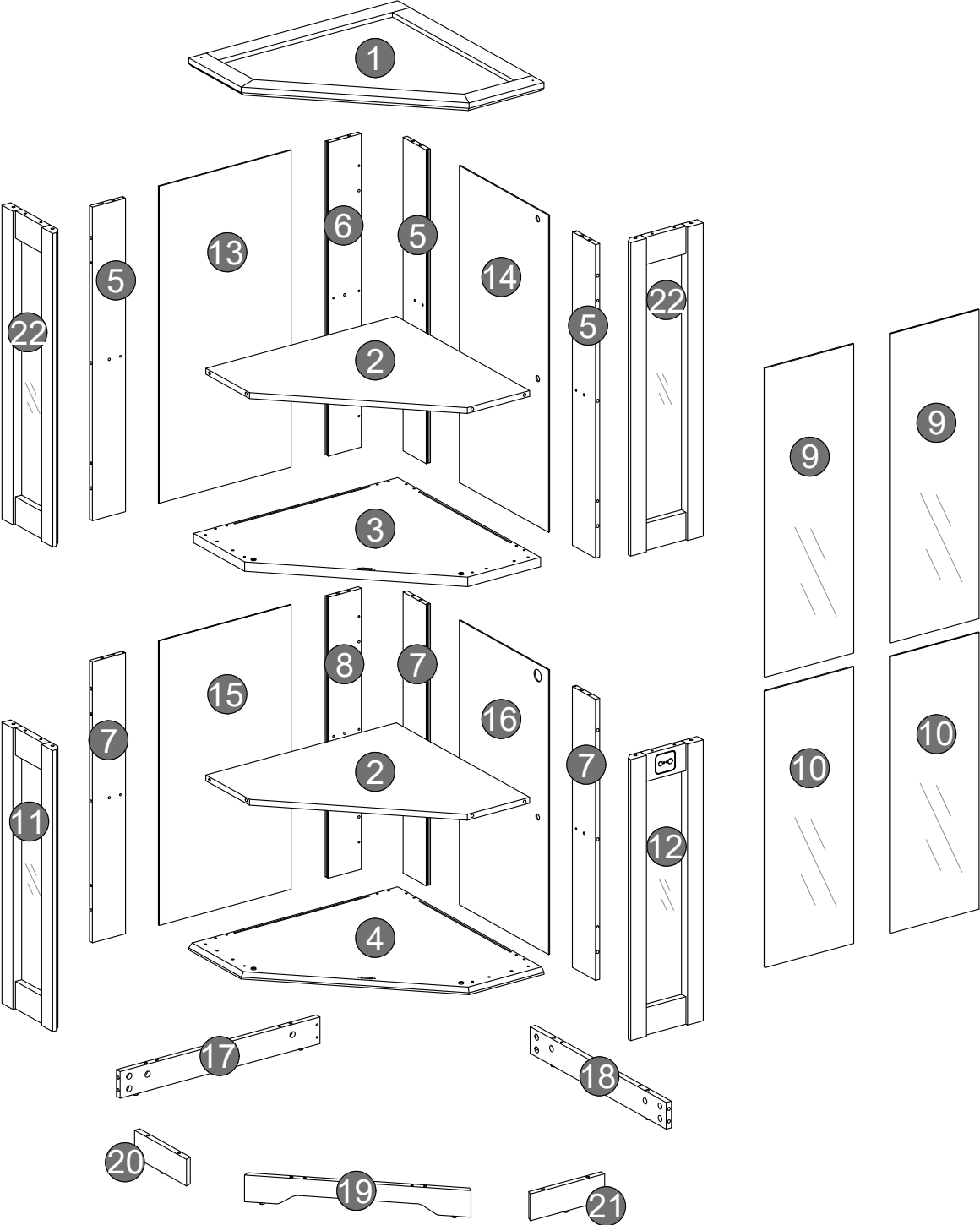
**ATTENTION**

If there is any missing, please kindly send us messages to let us know the part number of missing part regarding to the first page of instructions.

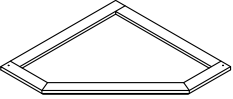
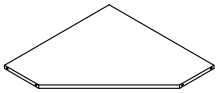


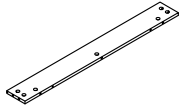
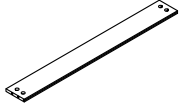
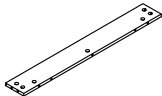
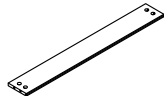
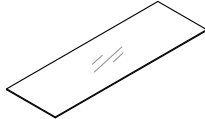
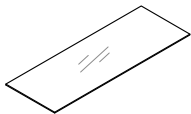
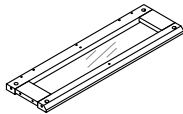
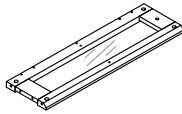
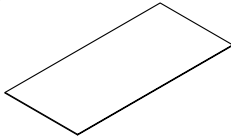
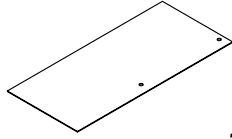
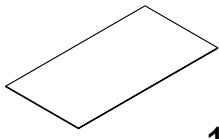
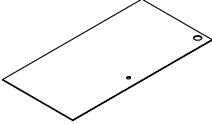
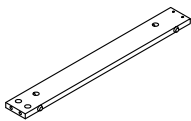
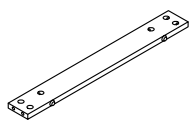
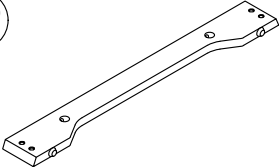
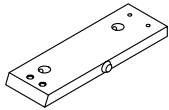
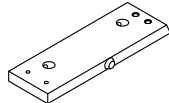
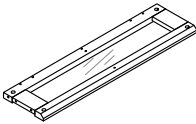
Please also provide your full address, recipient name and contact phone number so that we can send replacement to you as soon as possible.



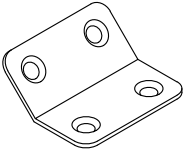



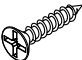
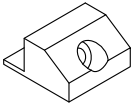


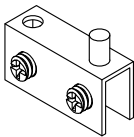
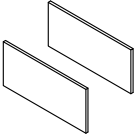
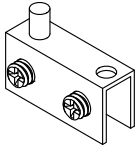
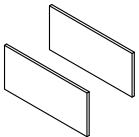
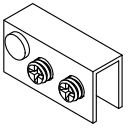
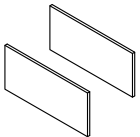
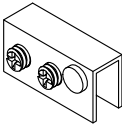
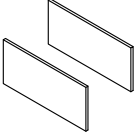
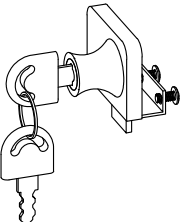
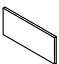

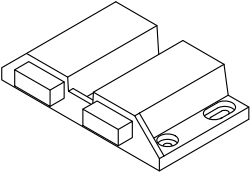




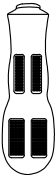
# PART LIST

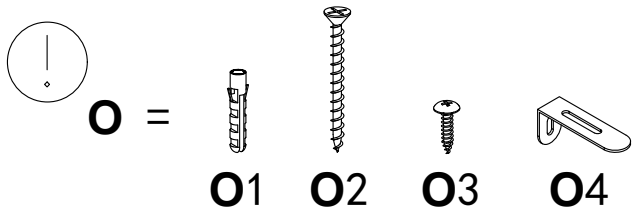


# PART LIST

<p>①</p>  <p>1PC</p>	<p>②</p>  <p>2PCS</p>	<p>③</p>  <p>1PC</p>
<p>④</p>  <p>1PC</p>	<p>⑤</p>  <p>3PCS</p>	<p>⑥</p>  <p>1PC</p>
<p>⑦</p>  <p>3PCS</p>	<p>⑧</p>  <p>1PC</p>	<p>⑨</p>  <p>2PC</p>
<p>⑩</p>  <p>2PC</p>	<p>⑪</p>  <p>1PC</p>	<p>⑫</p>  <p>1PC</p>
<p>⑬</p>  <p>1PC</p>	<p>⑭</p>  <p>1PC</p>	<p>⑮</p>  <p>1PC</p>
<p>⑯</p>  <p>1PC</p>	<p>⑰</p>  <p>1PC</p>	<p>⑱</p>  <p>1PC</p>
<p>⑲</p>  <p>1PC</p>	<p>⑳</p>  <p>1PC</p>	<p>㉑</p>  <p>1PC</p>
<p>㉒</p>  <p>2PCS</p>		

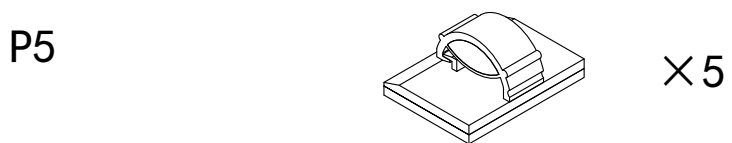
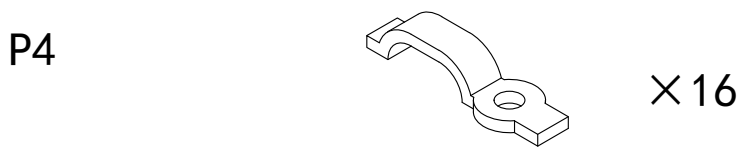
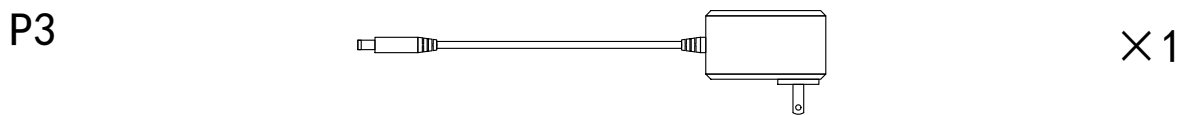
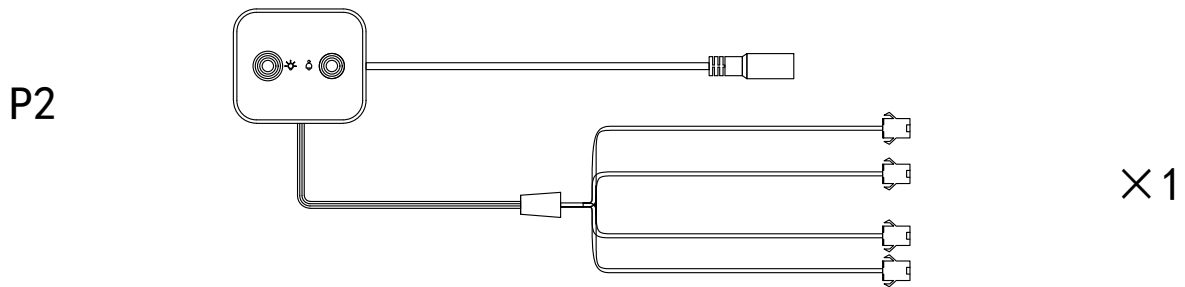
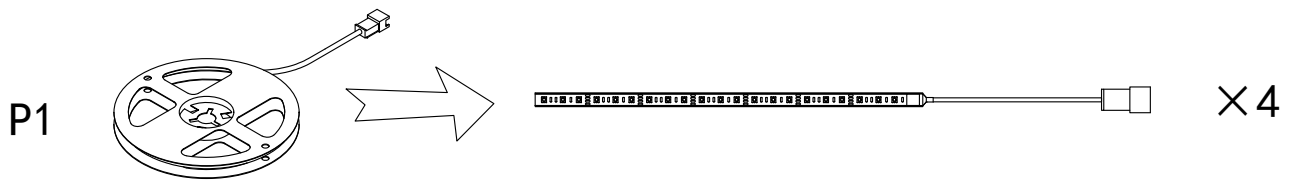
# HARDWARE LIST

<p><b>A</b></p>  <p><b>36×19×19</b>                      <b>2PCS</b></p>	<p><b>B</b></p>  <p><b>∅6×33</b>                      <b>(98+2)PCS</b></p>	<p><b>C</b></p>  <p><b>∅15×10</b>                      <b>(98+2)PCS</b></p>
<p><b>D</b></p>  <p><b>∅6×30</b>                      <b>(42+2)PCS</b></p>	<p><b>E</b></p>  <p><b>∅3×17</b>                      <b>(24+2)PCS</b></p>	<p><b>F</b></p>  <p><b>(24+2)PCS</b></p>
<p><b>G</b></p>  <p><b>∅3×12</b>                      <b>(28+2)PCS</b></p>	<p><b>H</b></p>  <p><b>M4×12</b>                      <b>(8+1)PCS</b></p>	<p><b>I</b></p>   <p><b>4SET</b></p>
<p><b>J</b></p>   <p><b>4SET</b></p>	<p><b>K</b></p>   <p><b>2SET</b></p>	<p><b>L</b></p>   <p><b>2SET</b></p>
<p><b>M</b></p>    <p><b>2SET</b></p>	<p><b>N</b></p>  <p><b>2SET</b></p>	<p><b>O</b></p>    <p><b>2SET</b></p>
  <p><b>1PC</b></p>		

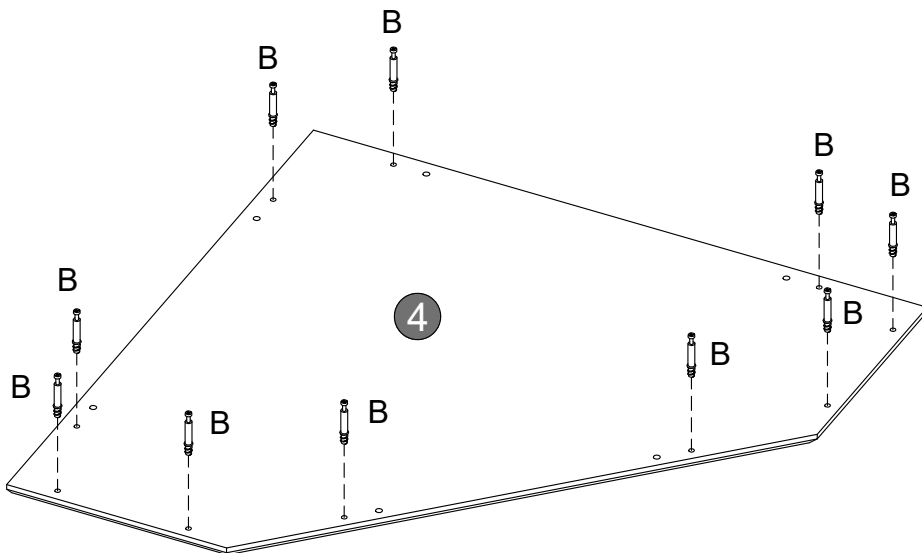
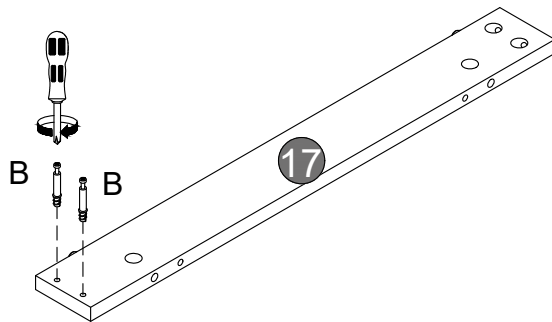
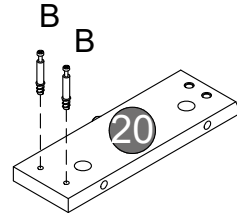
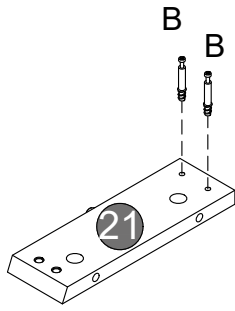



# HARDWARE LIST

P

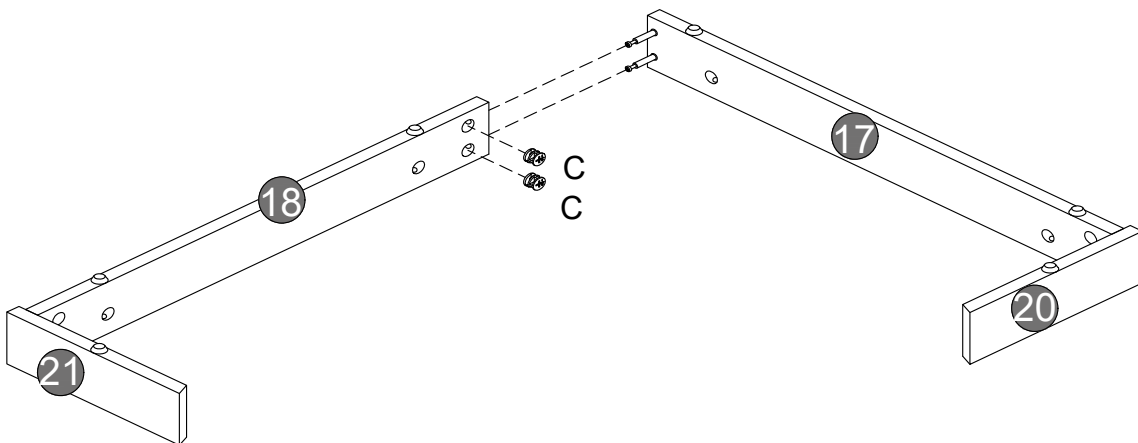
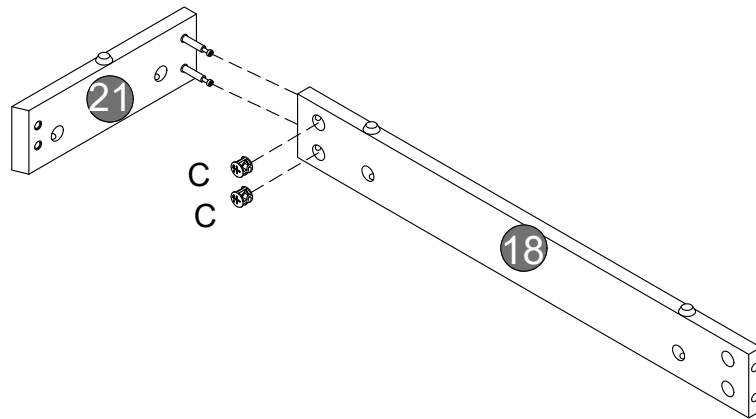
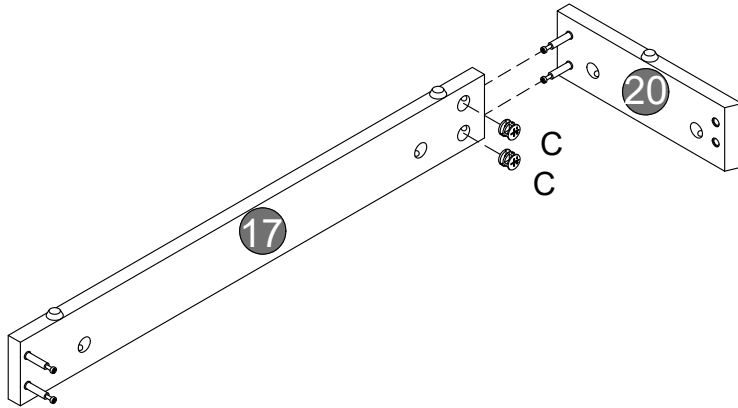
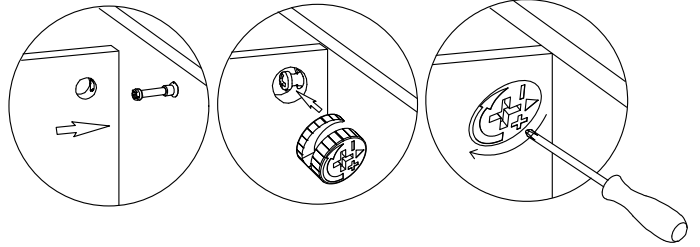



# STEP 1



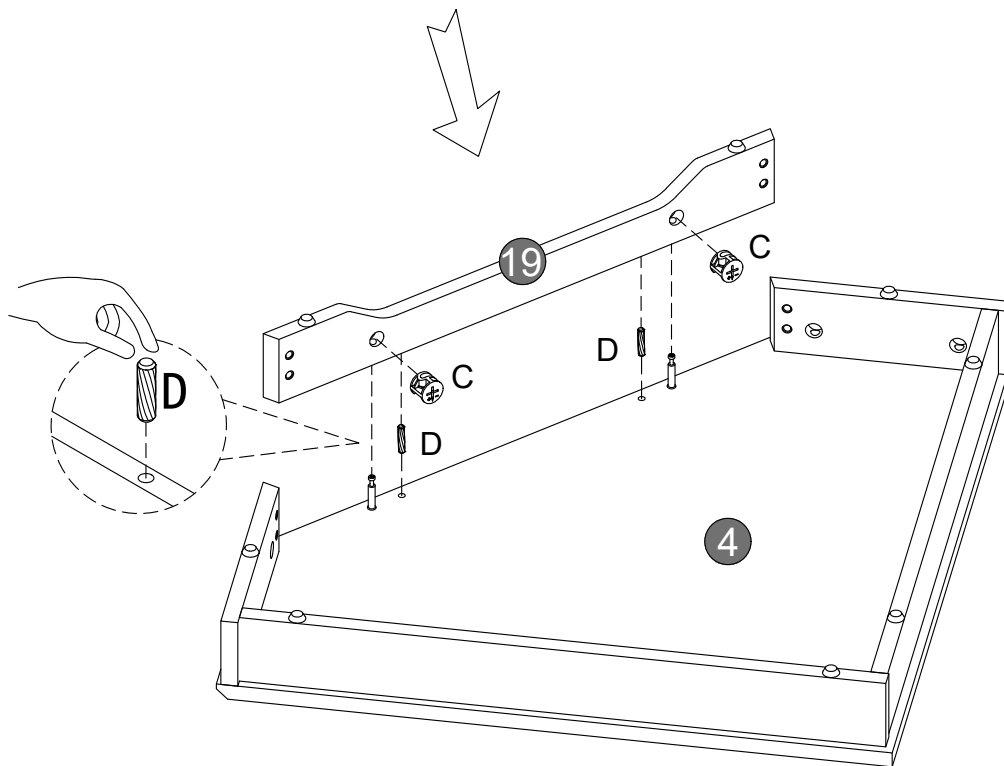
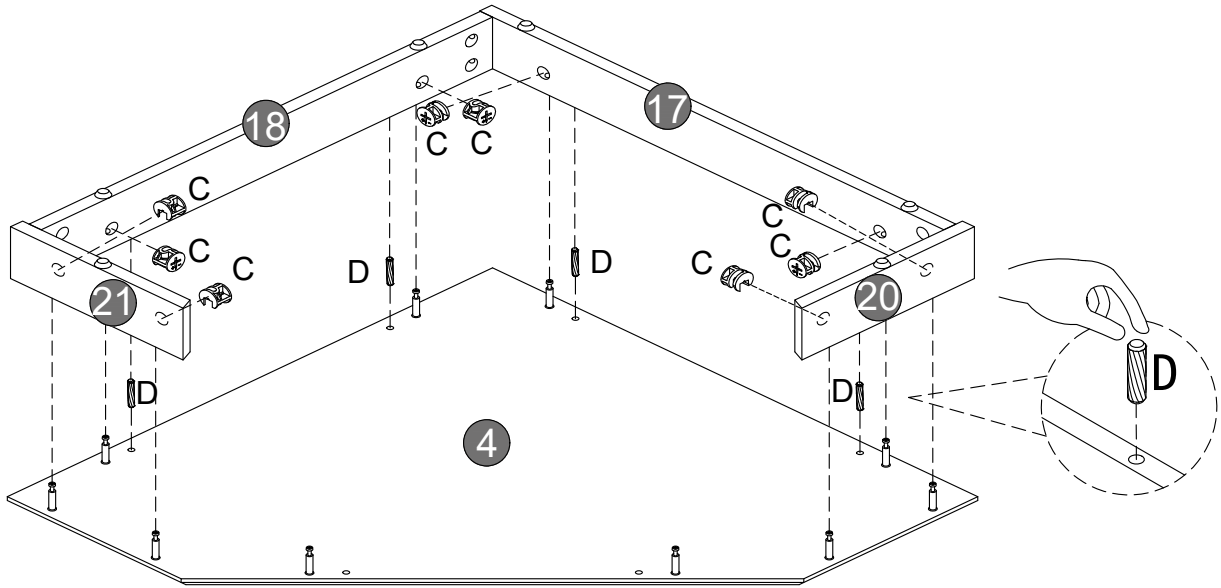
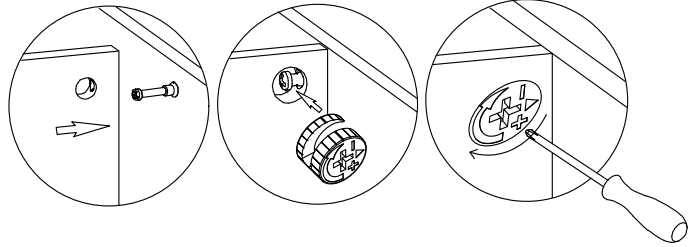
 B × 16PCS



# STEP 2



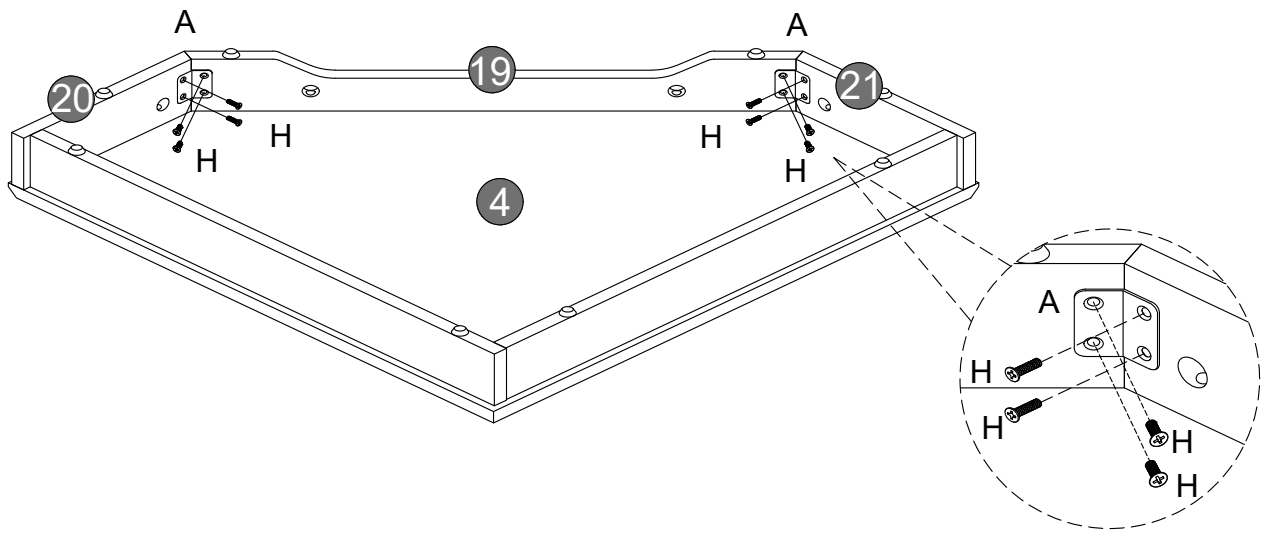
	<b>C × 6PCS</b>
---	-----------------

# STEP 3

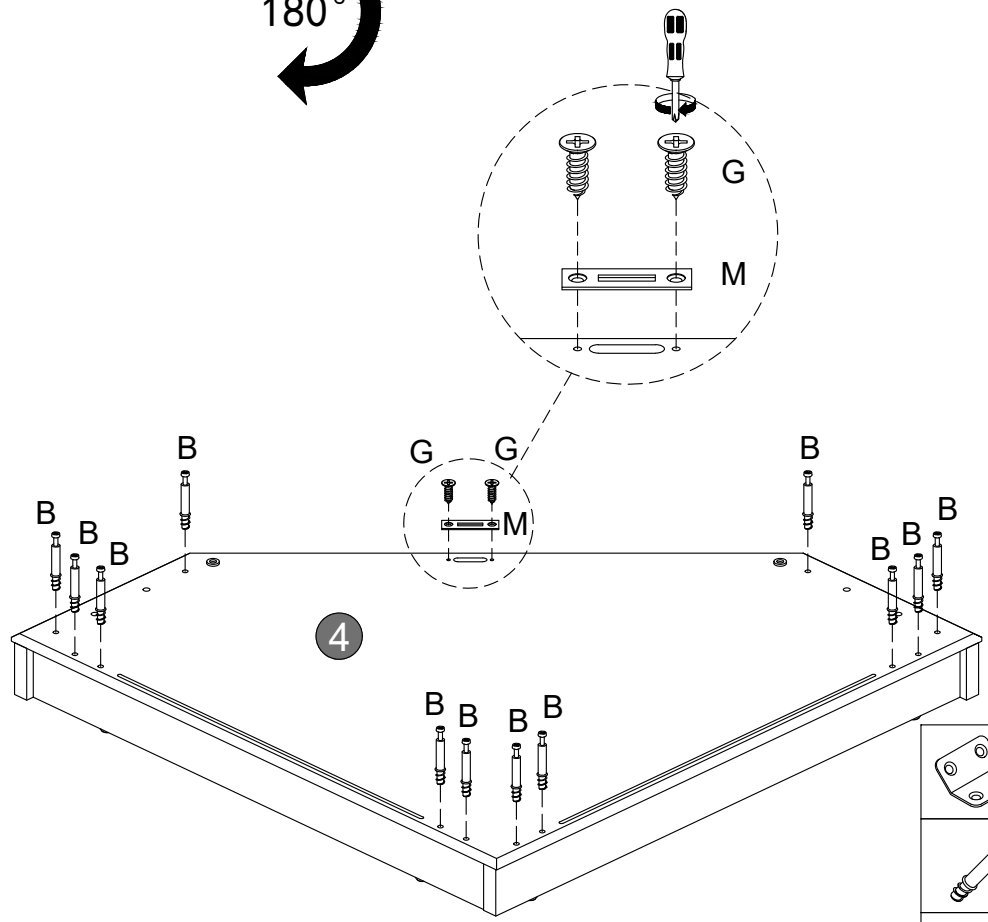


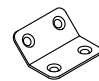



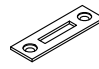
	C × 10PCS
	D × 6PCS

# STEP 4

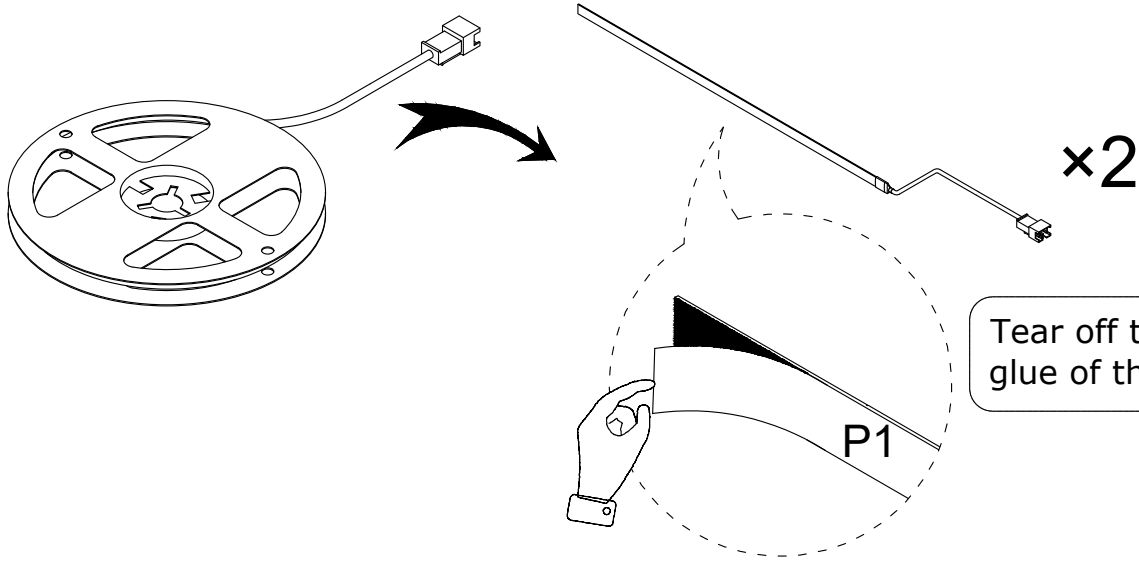


180°

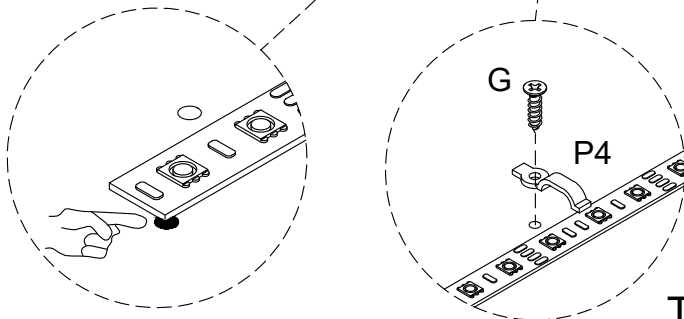
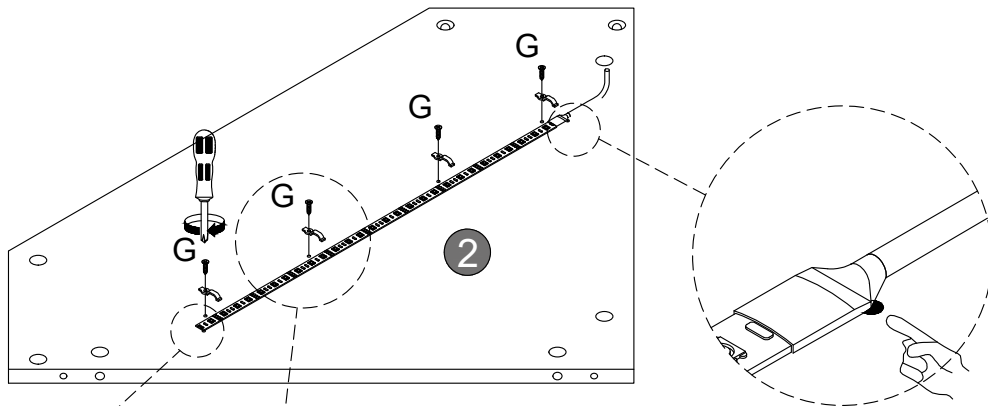


	A × 2PCS
	B × 12PCS
	G × 2PCS
	H × 8PCS
	M × 1PC

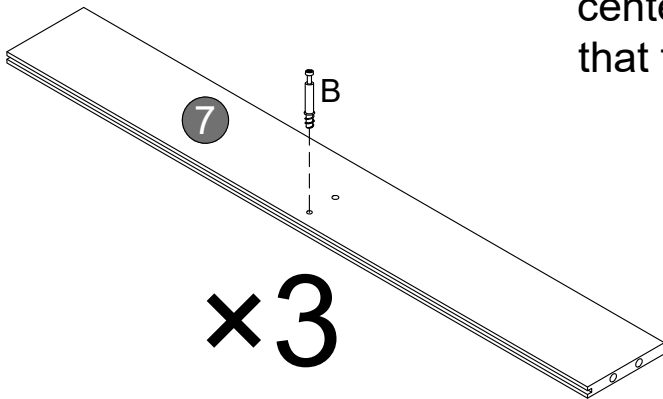
# STEP 5







Tear off the back glue of the light strip

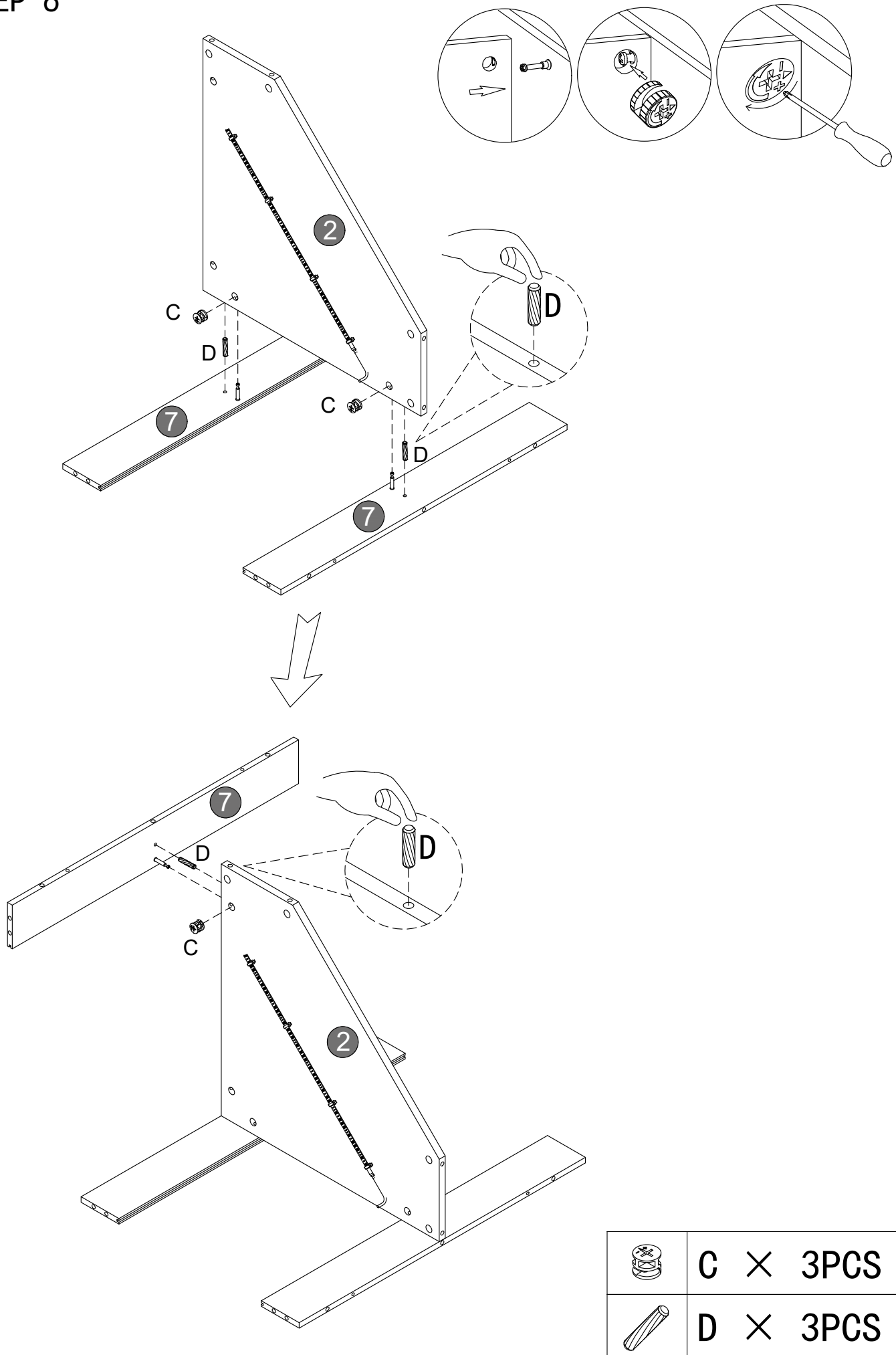




TIP: When pasting, please align the corners of the light strip with the center of the 2 guide holes to ensure that the light strip is straight.



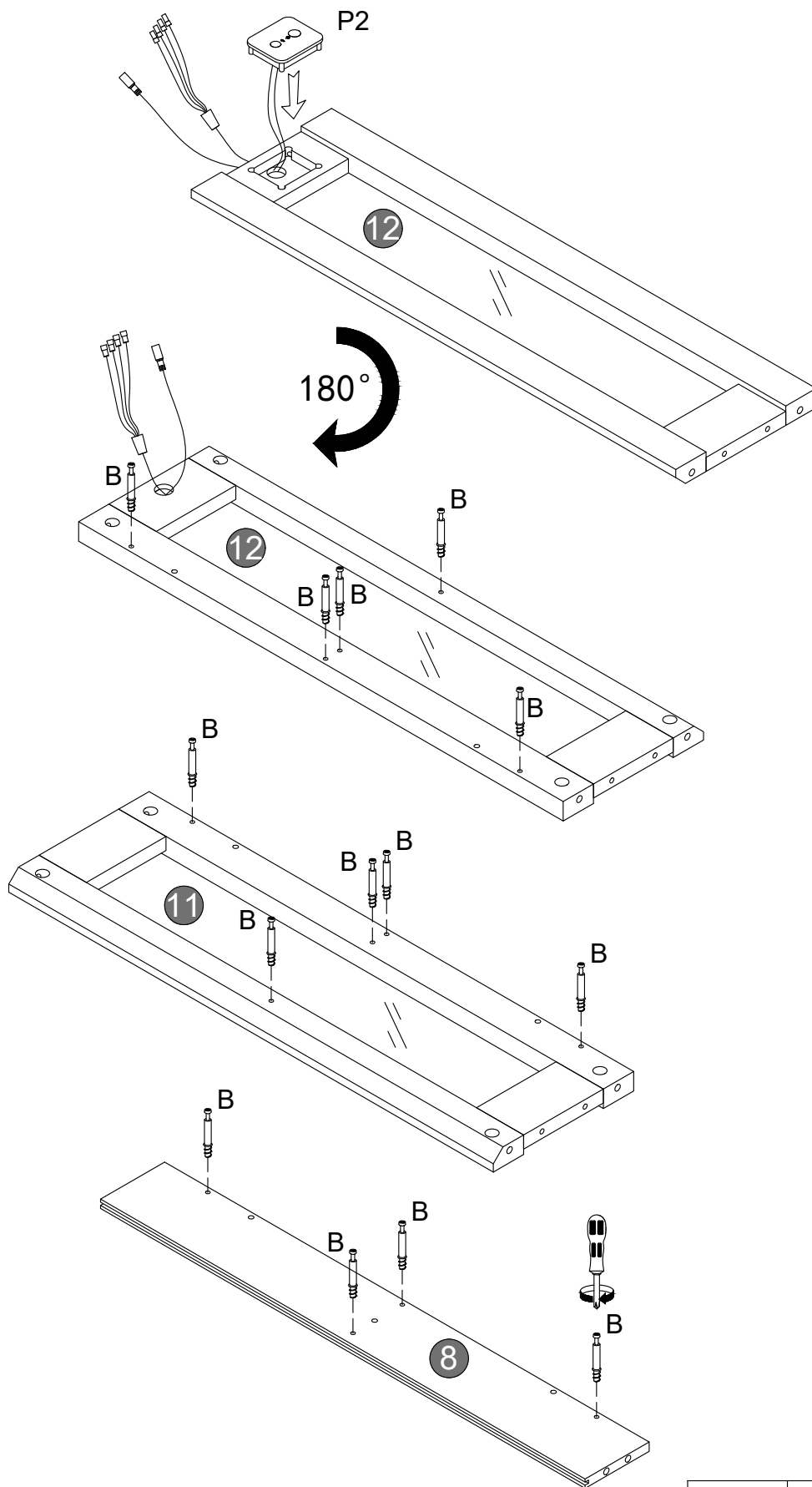
	B × 3PCS
	G × 8PCS
	P4 × 8PCS
	P1 × 2PCS


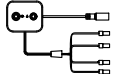
# STEP 6



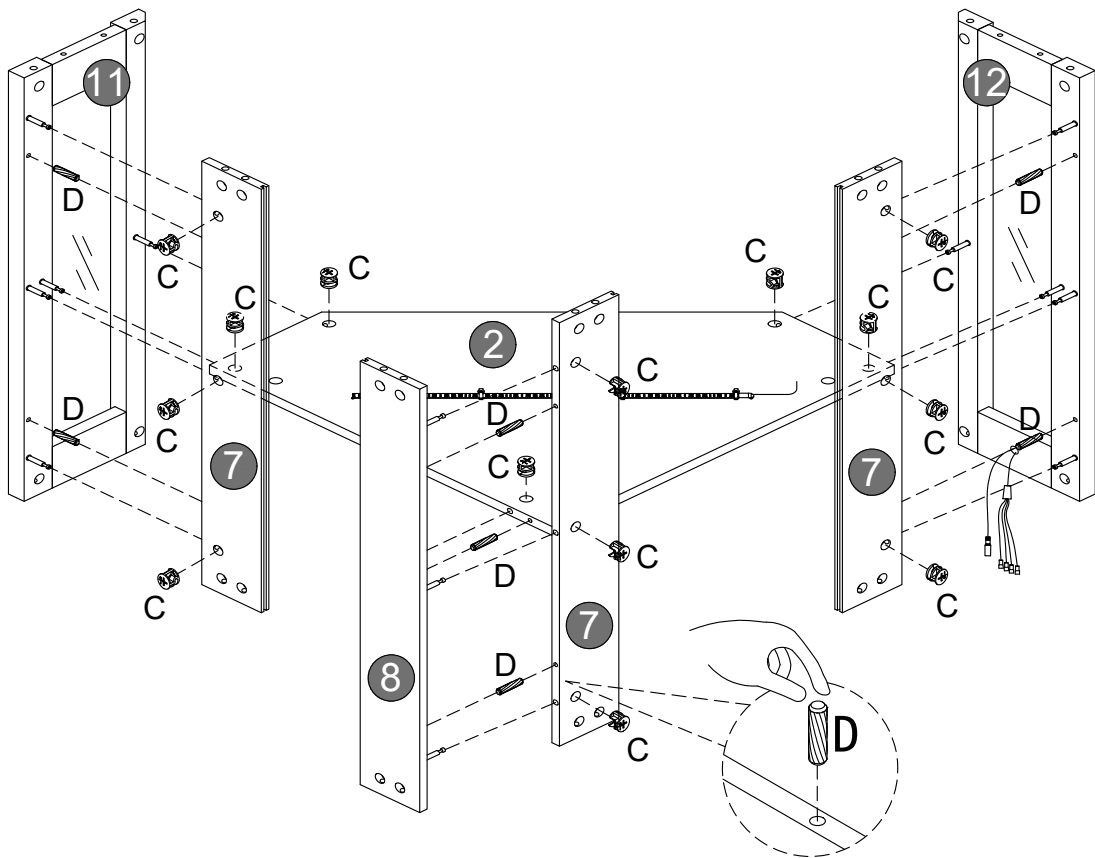
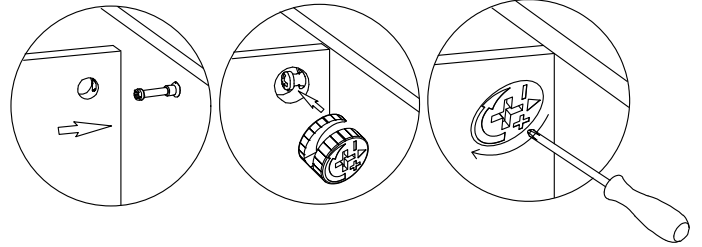
	<b>C × 3PCS</b>
	<b>D × 3PCS</b>



# STEP 7



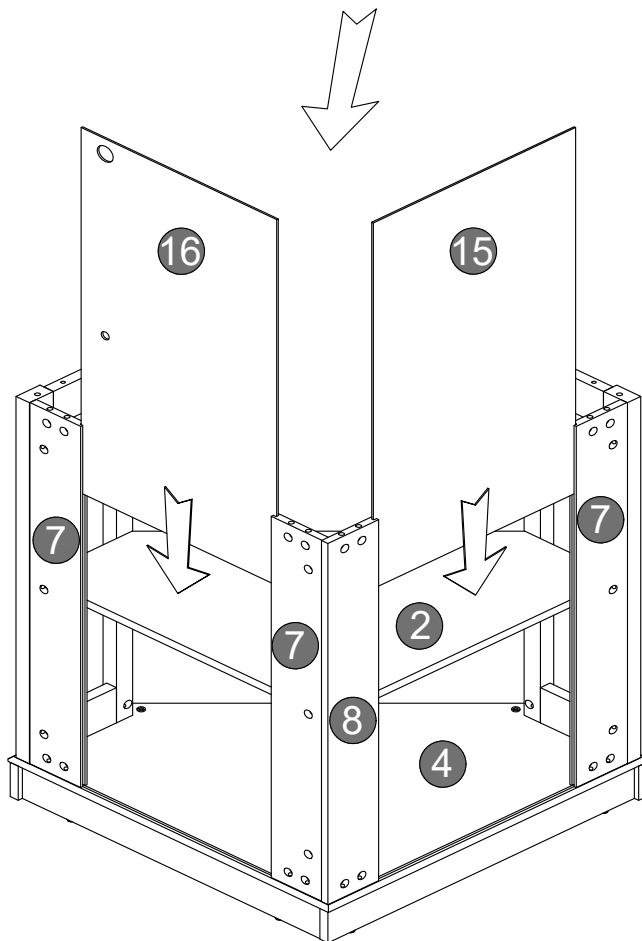
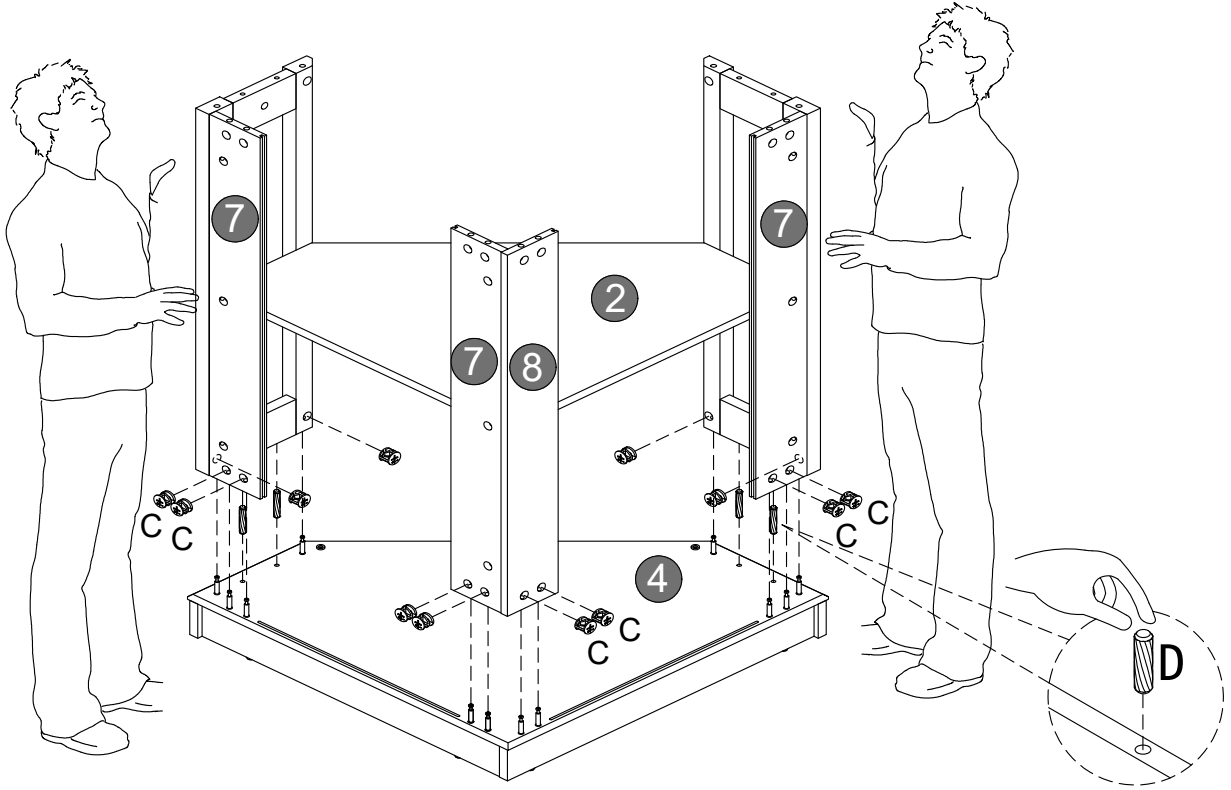
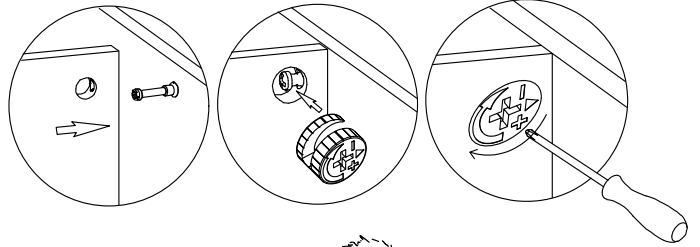
	B × 14PCS
	P2 × 1PC



# STEP 8



	C × 14PCS
	D × 7PCS

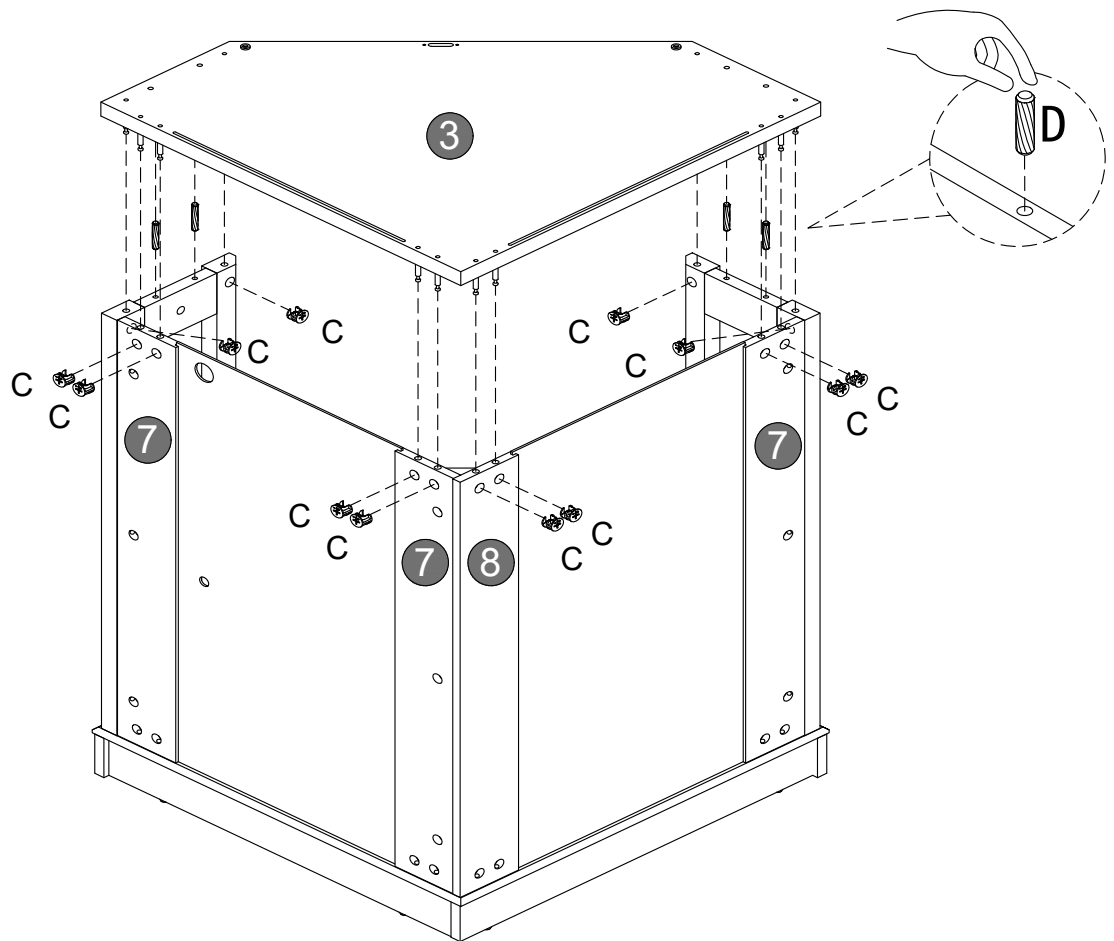
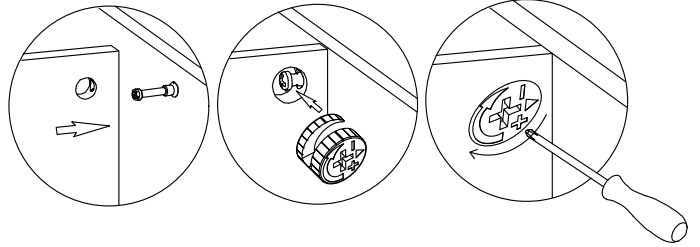
# STEP 9





	C × 12PCS
	D × 4PCS

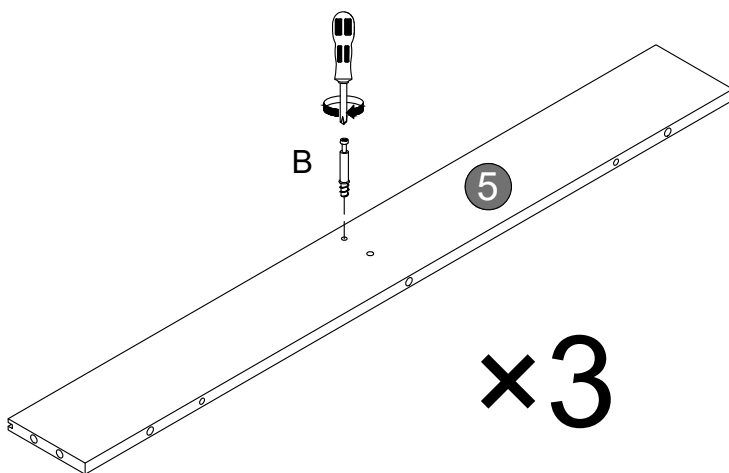
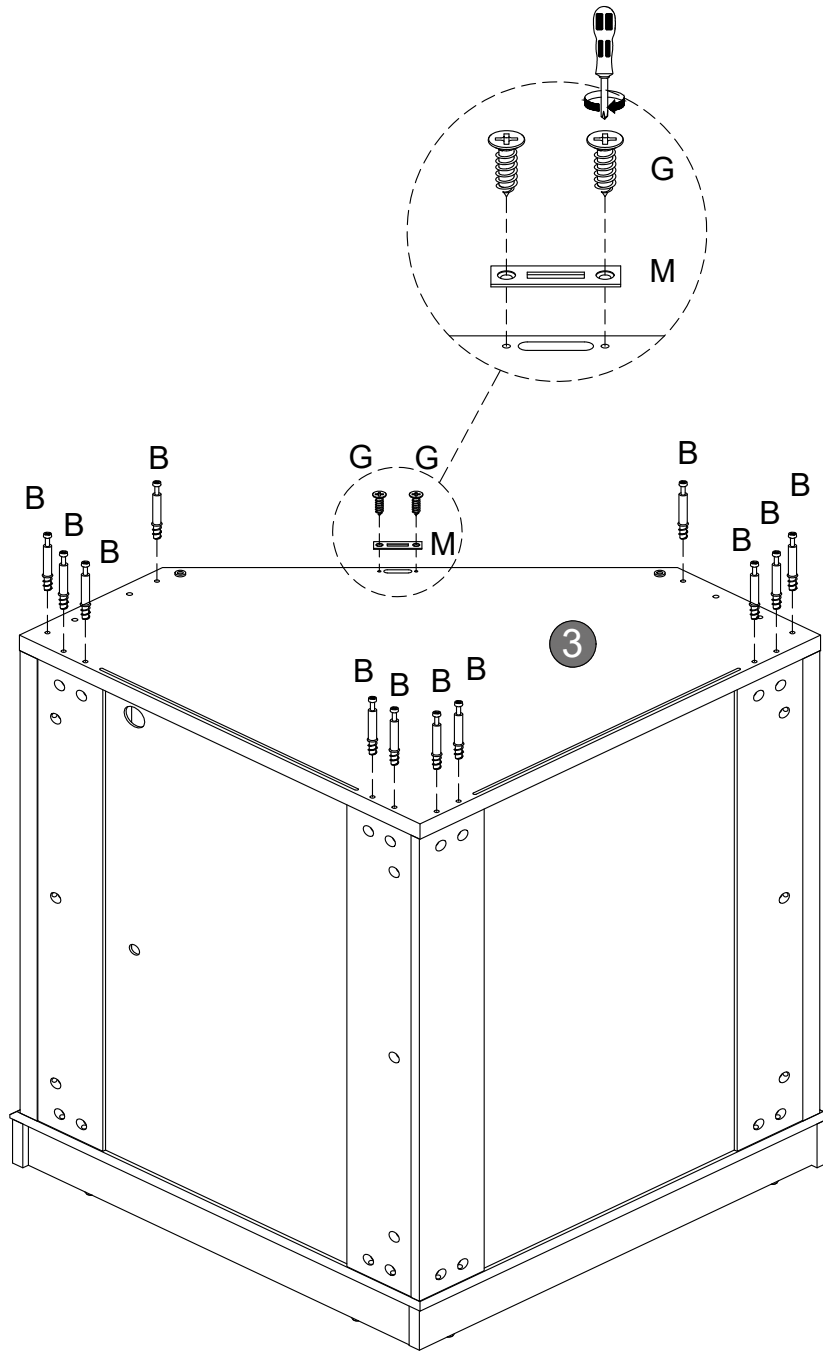




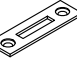
# STEP 11



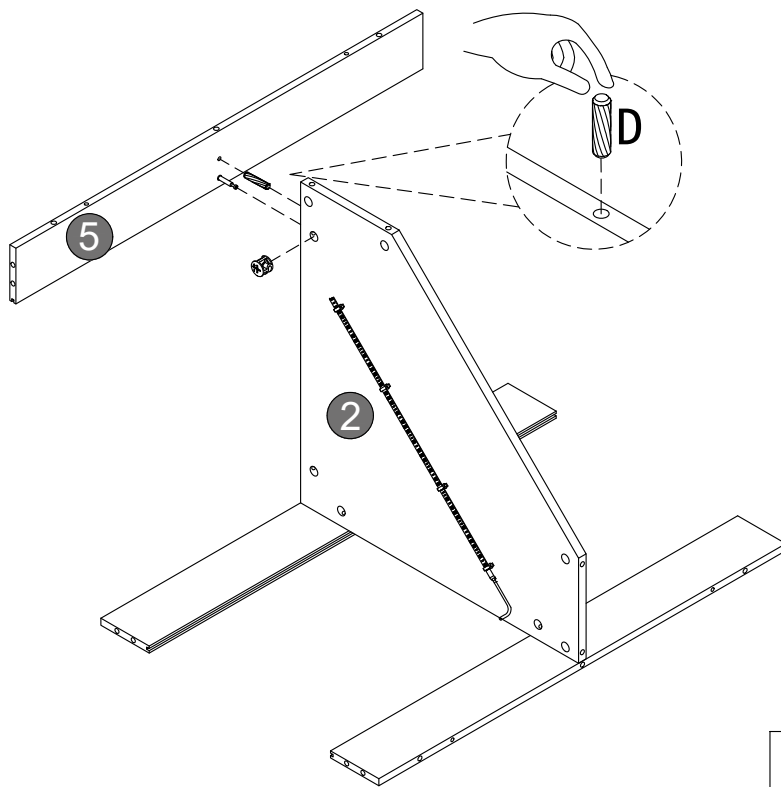
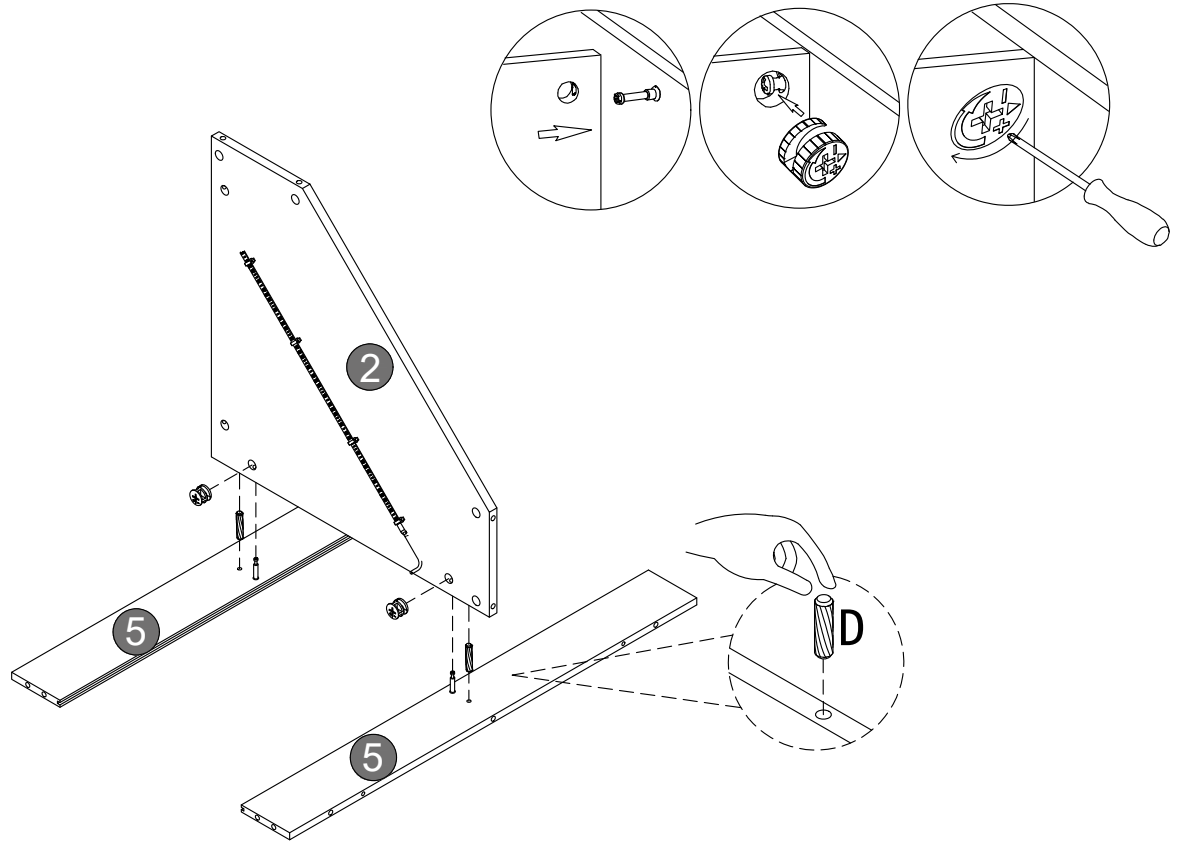
	<b>C × 12PCS</b>
	<b>D × 4PCS</b>



# STEP 12



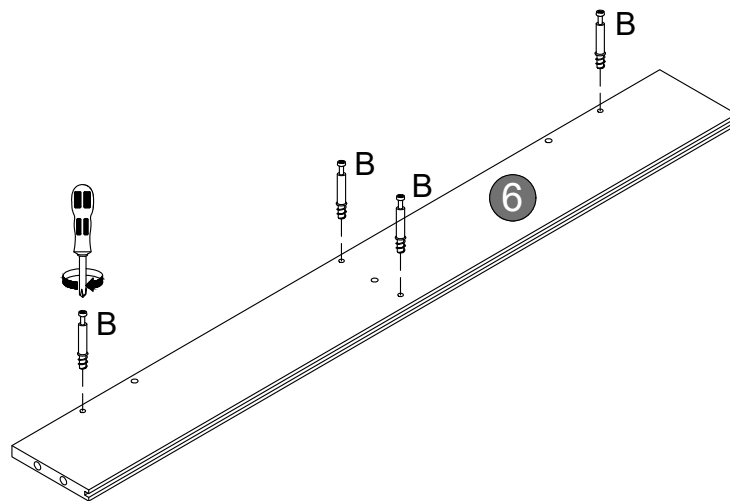
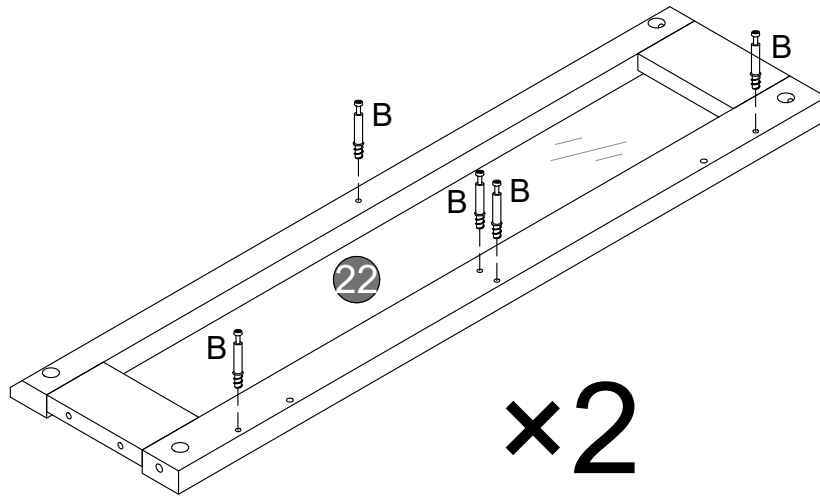
	B × 15PCS
	G × 2PCS
	M × 1PC


# STEP 13



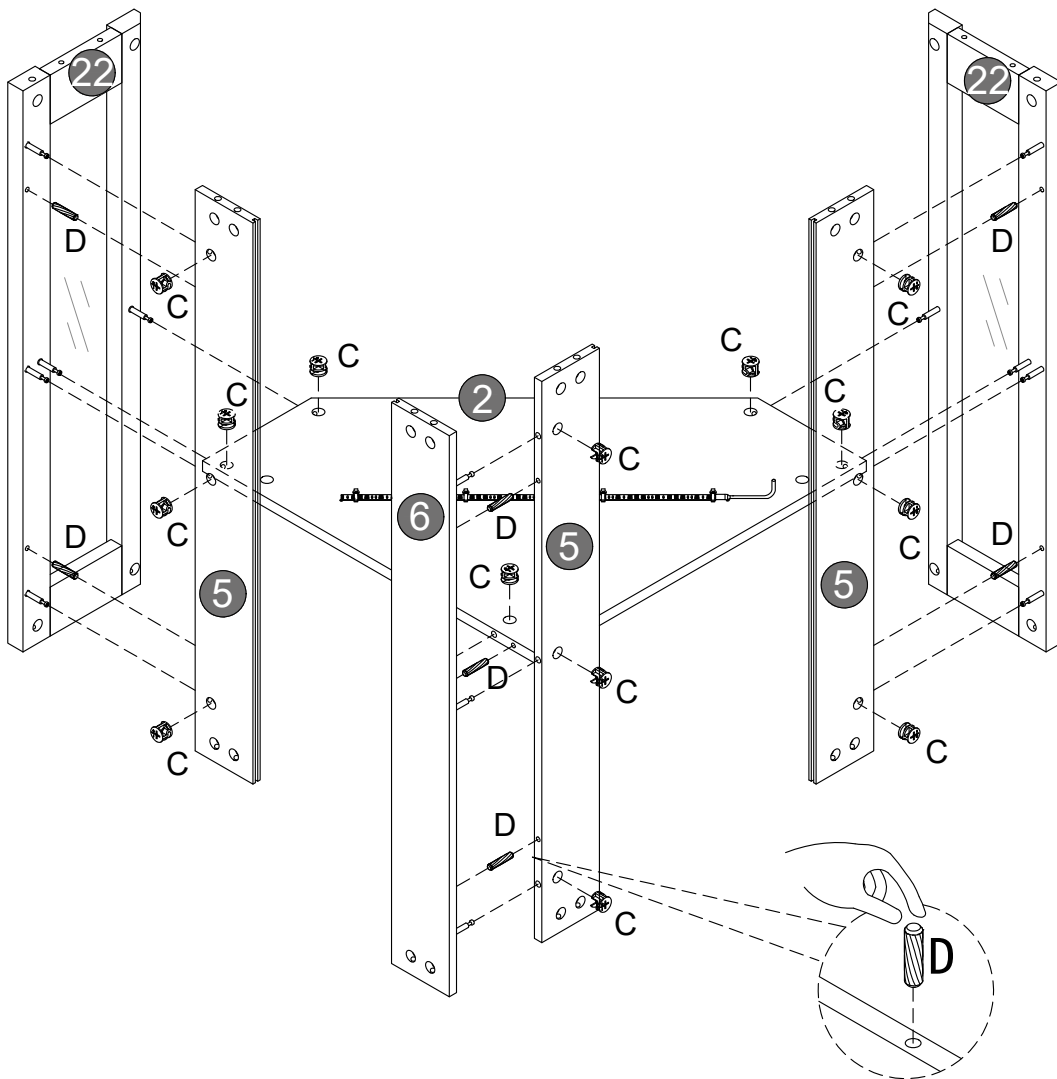
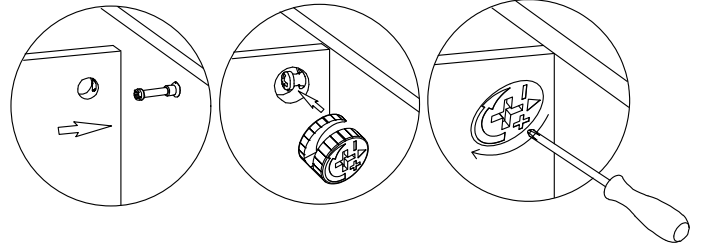
	<b>C × 3PCS</b>
	<b>D × 3PCS</b>



STEP 14



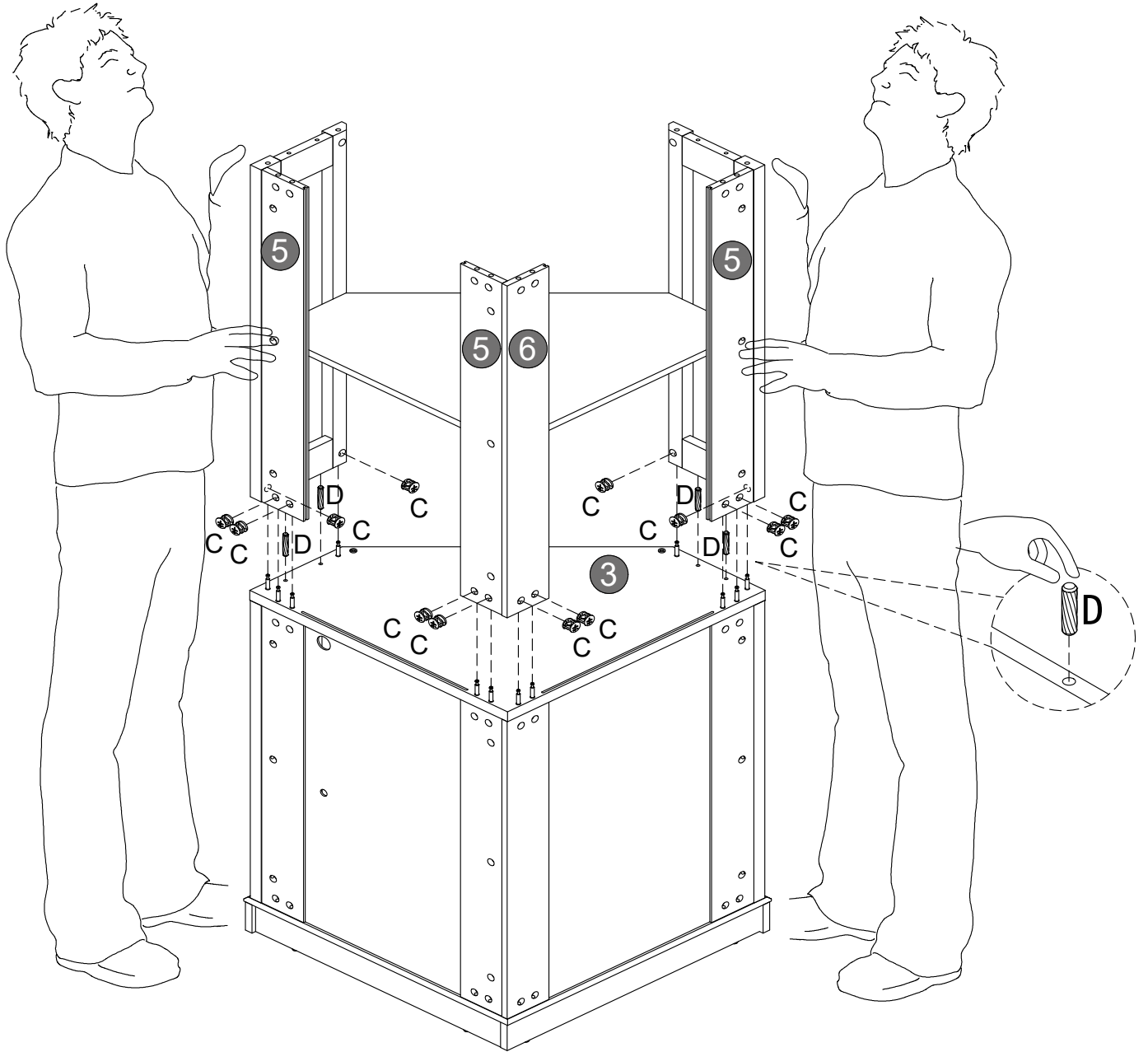
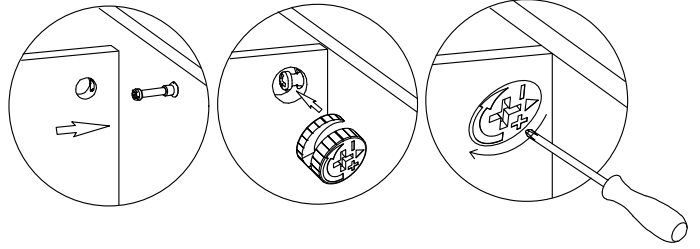
 B × 14PCS



# STEP 15



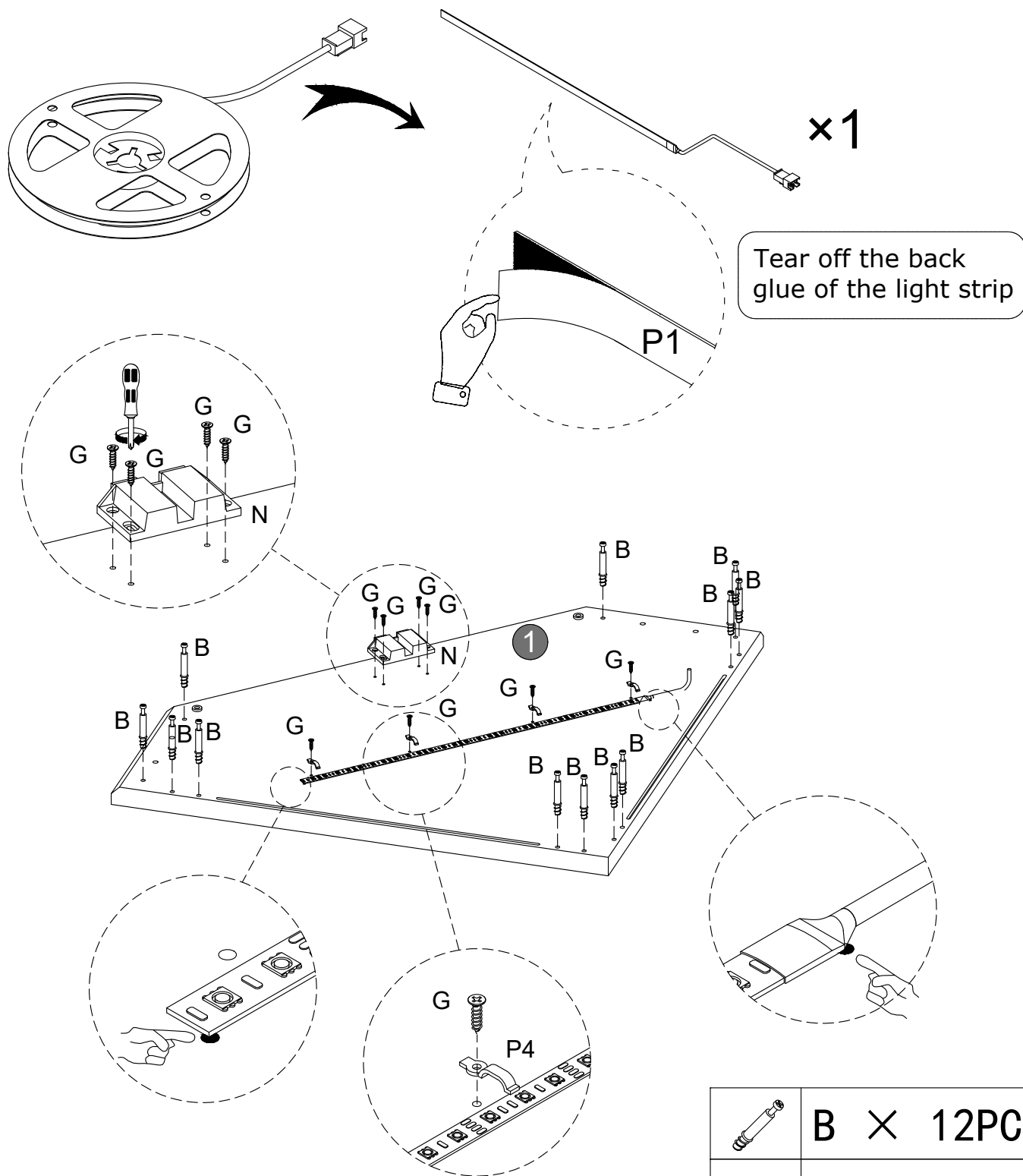
	C × 14PCS
	D × 7PCS

# STEP 16





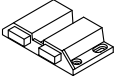


	C × 12PCS
	D × 4PCS

# STEP 17

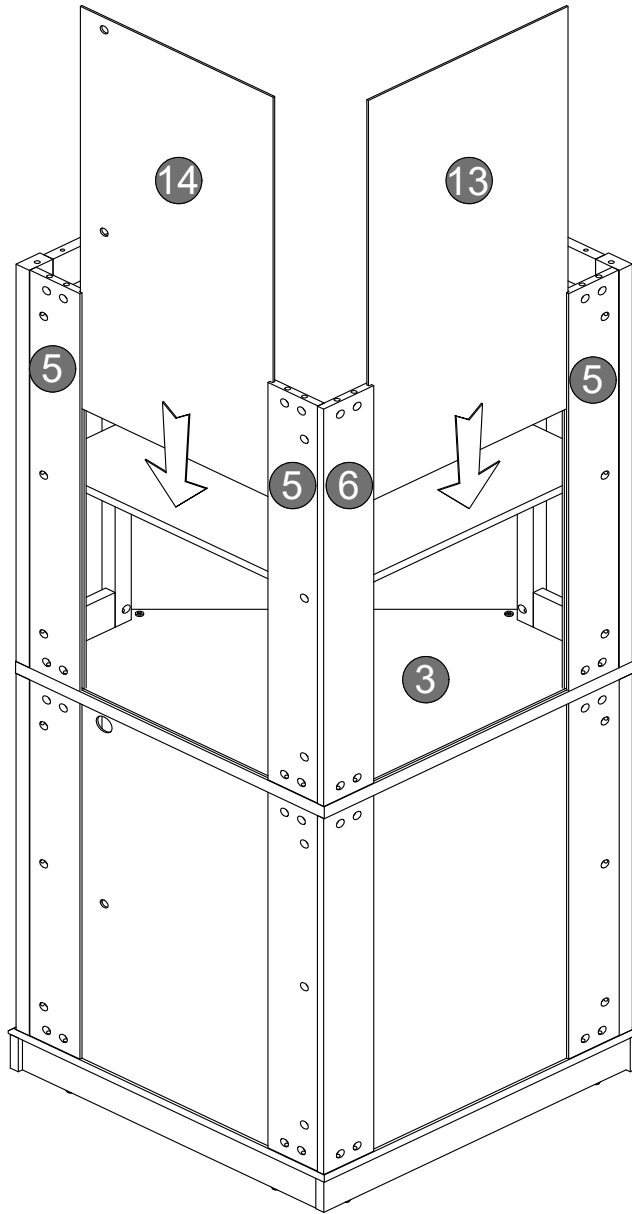


Tear off the back glue of the light strip

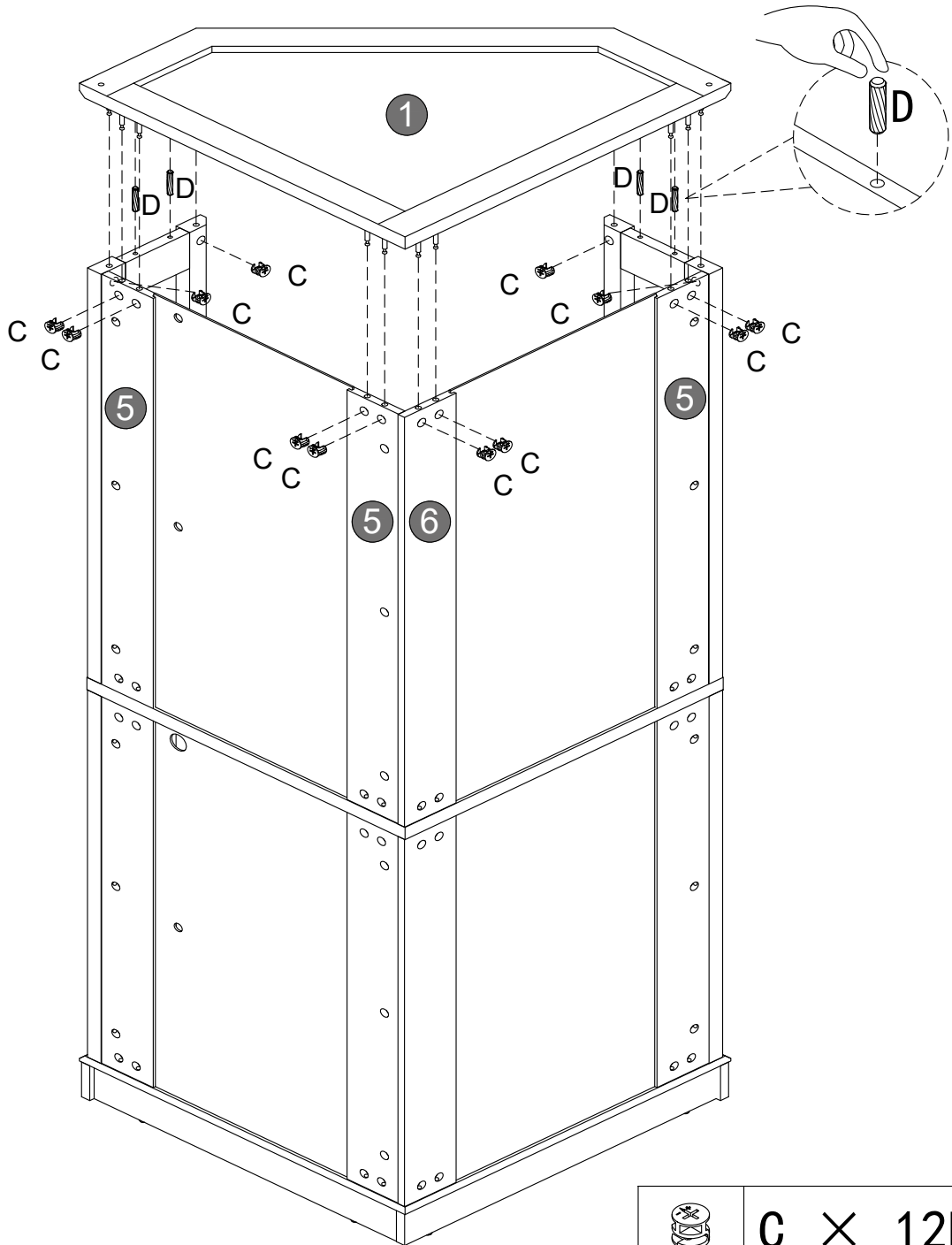
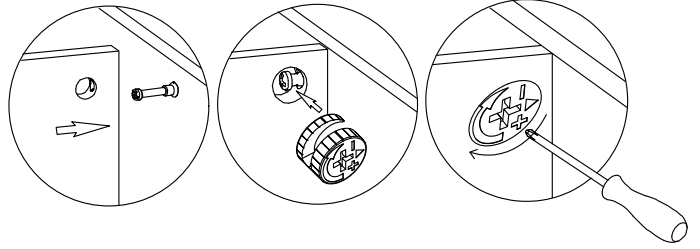
TIP: When pasting, please align the corners of the light strip with the center of the 2 guide holes to ensure that the light strip is straight.



	B × 12PCS
	G × 8PCS
	N × 1PC
	P4 × 4PCS
	P1 × 1PC

# STEP 18

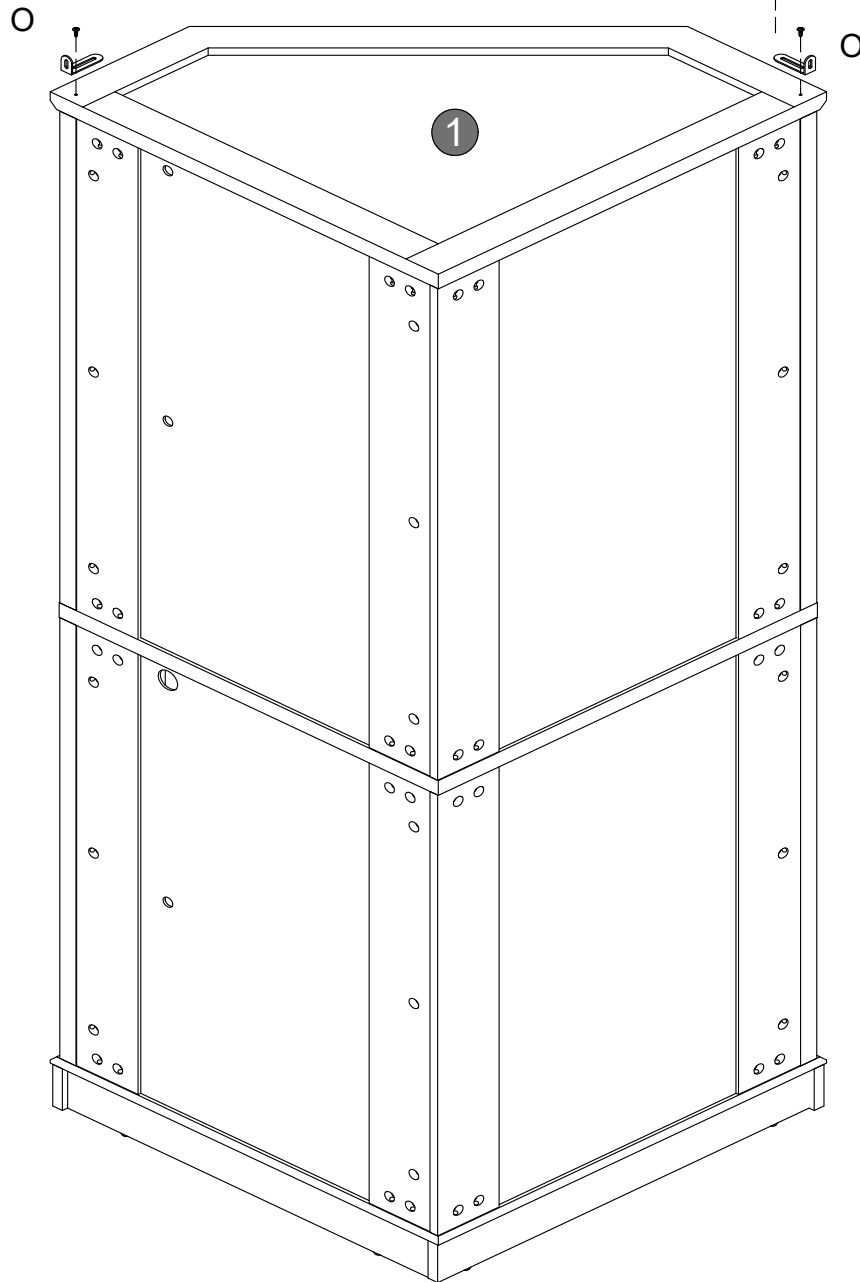
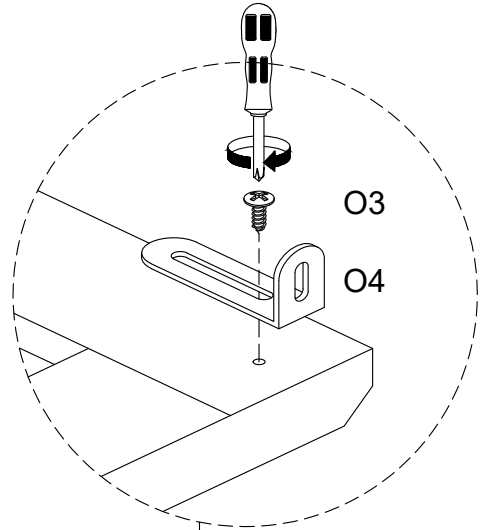





# STEP 19



	C × 12PCS
	D × 4PCS

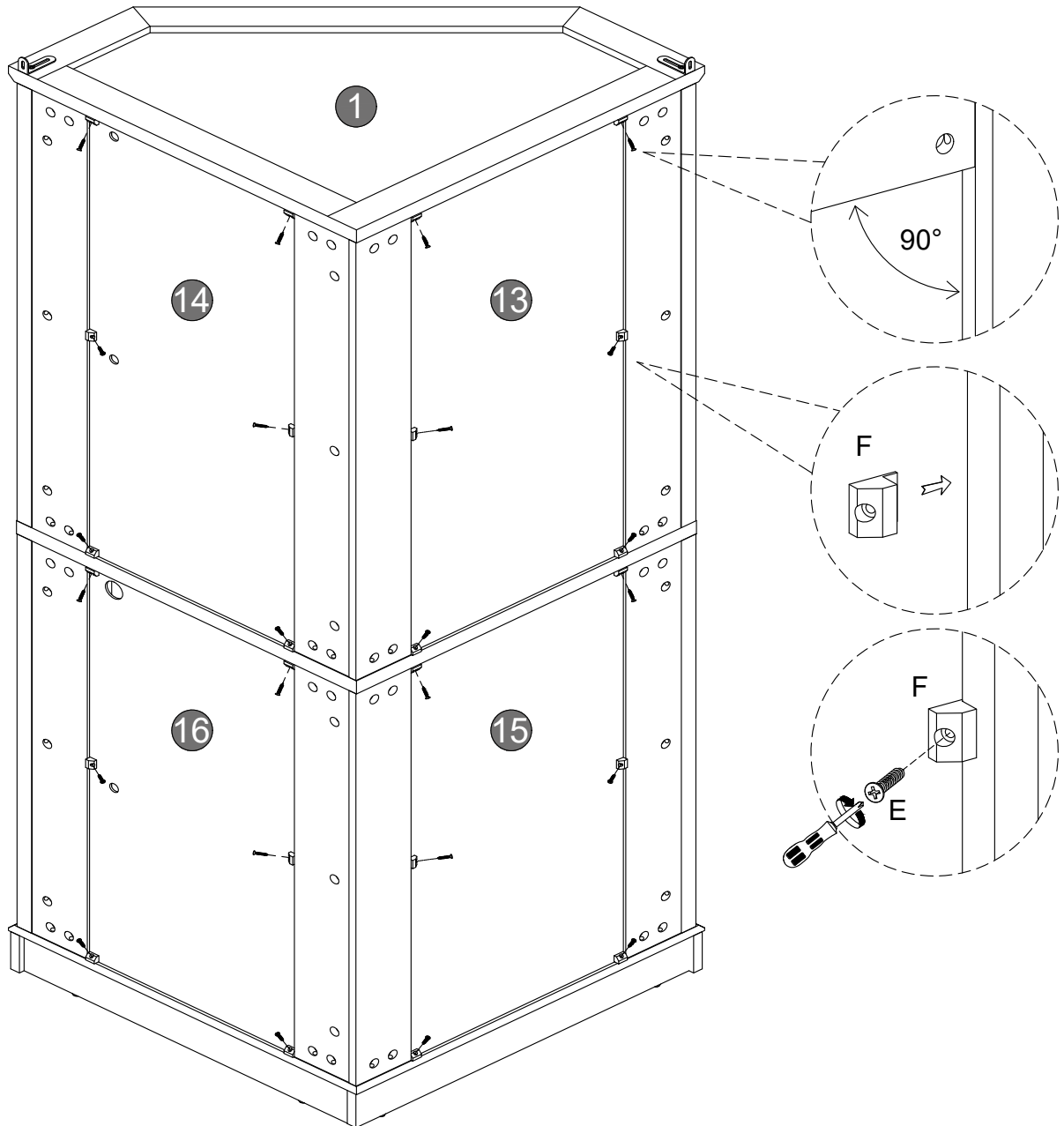
STEP 20



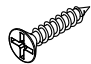
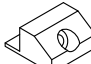
			× 2SET
O3	O4		

## STEP 21

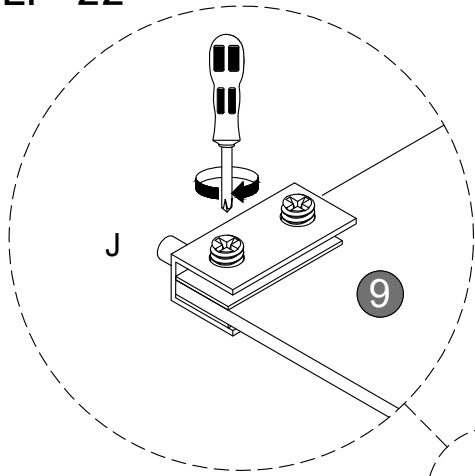
Attention: Before install the mending wedges, make sure that the angle of the cabinet's corner is 90°



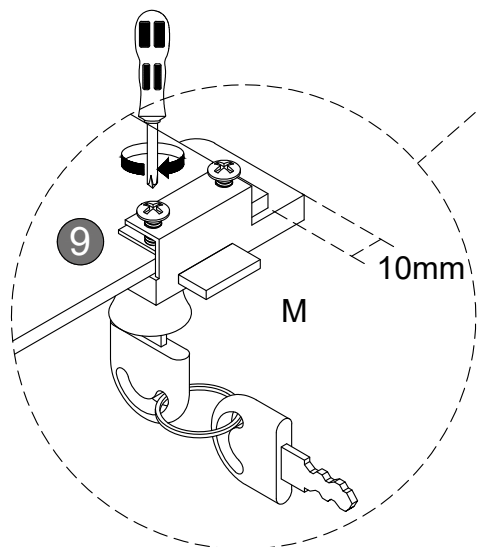
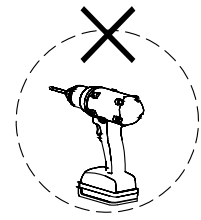
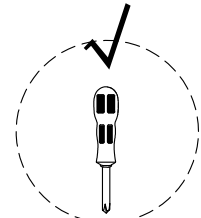
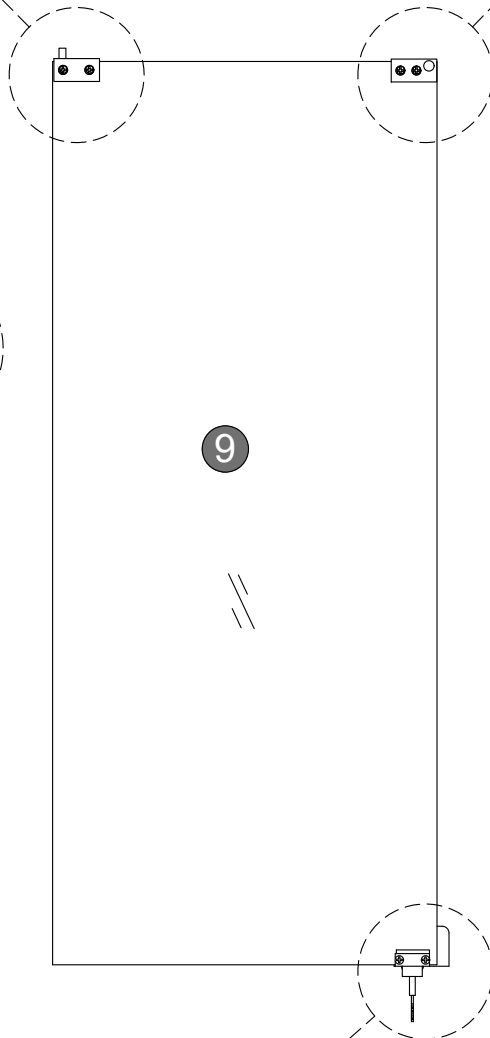
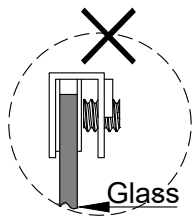
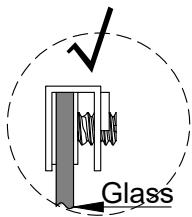
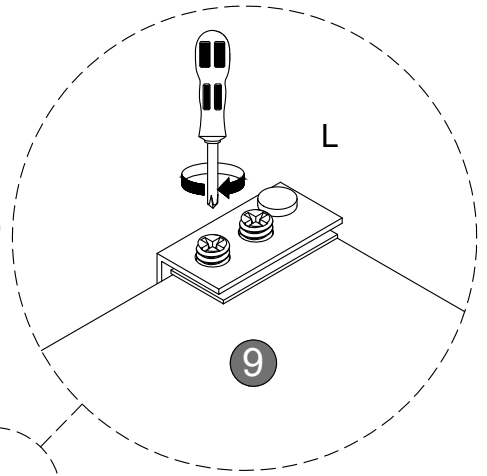
Attention: Please be sure to install these mending wedges to ensure the stability of the cabinet!!!!

	E × 24PCS
	F × 24PCS

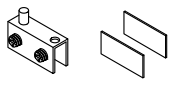
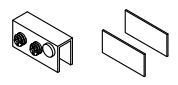

# STEP 22



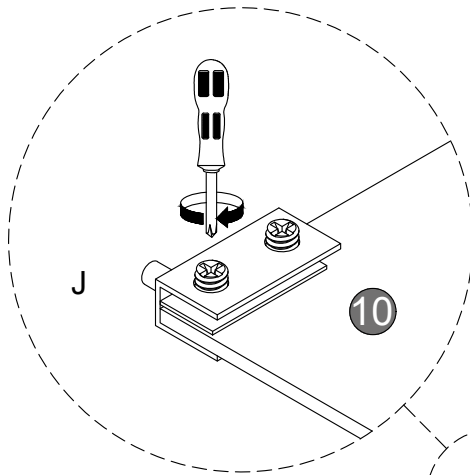
A rubber gasket should be placed between the clamp and the glass.



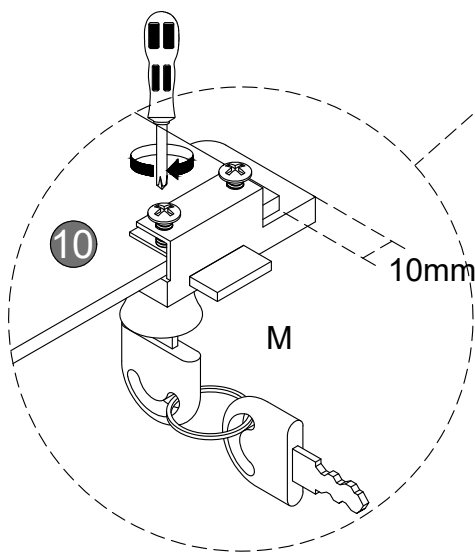
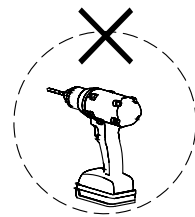
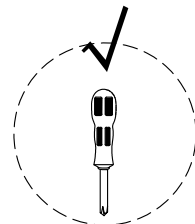
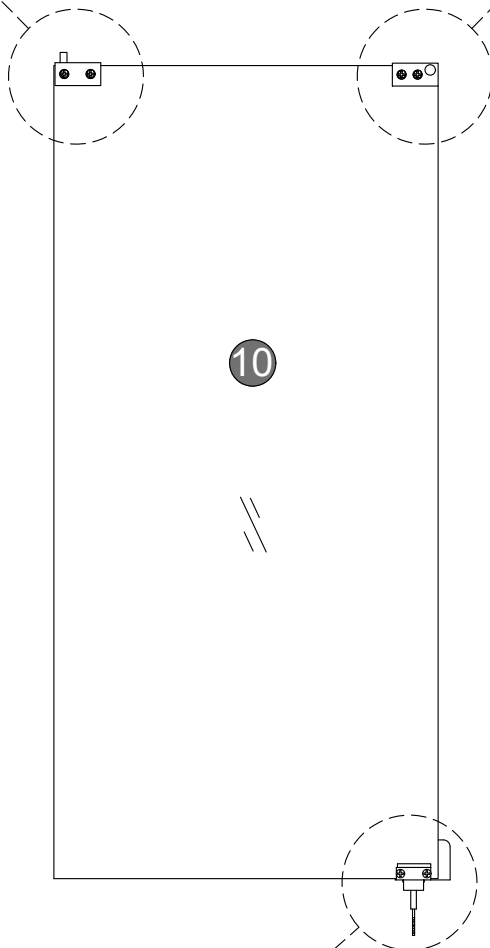
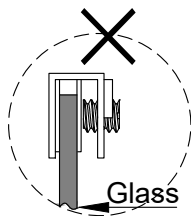
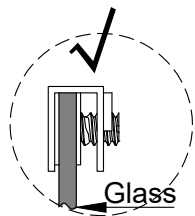
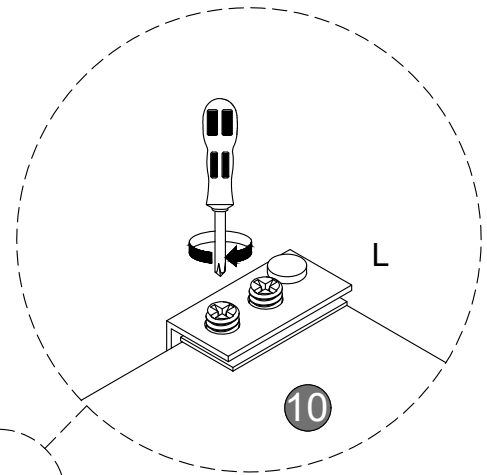
A rubber gasket should be placed between the clamp and the glass.

	J × 1SET
	L × 1SET
	M × 1SET

# STEP 23



A rubber gasket should be placed between the clamp and the glass.

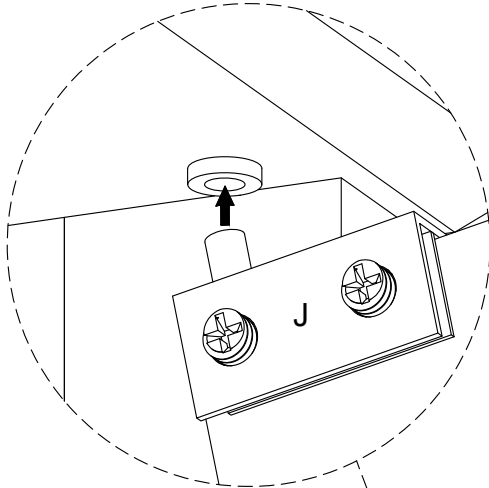


A rubber gasket should be placed between the clamp and the glass.

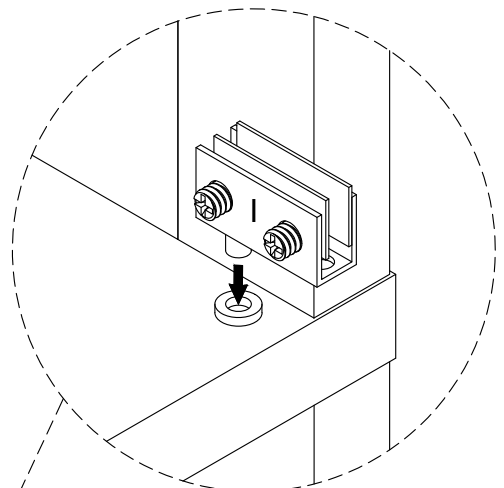
	J × 1SET
	L × 1SET
	M × 1SET

# STEP 24

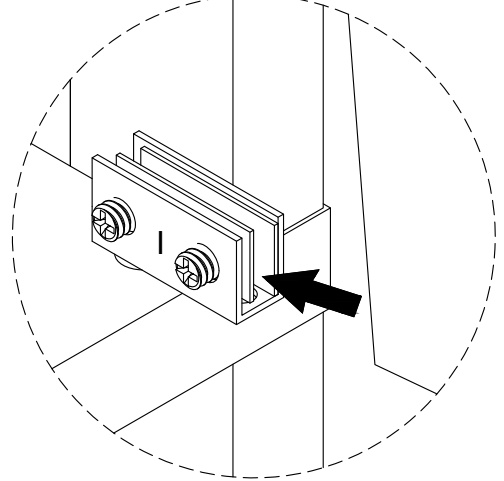
step 1



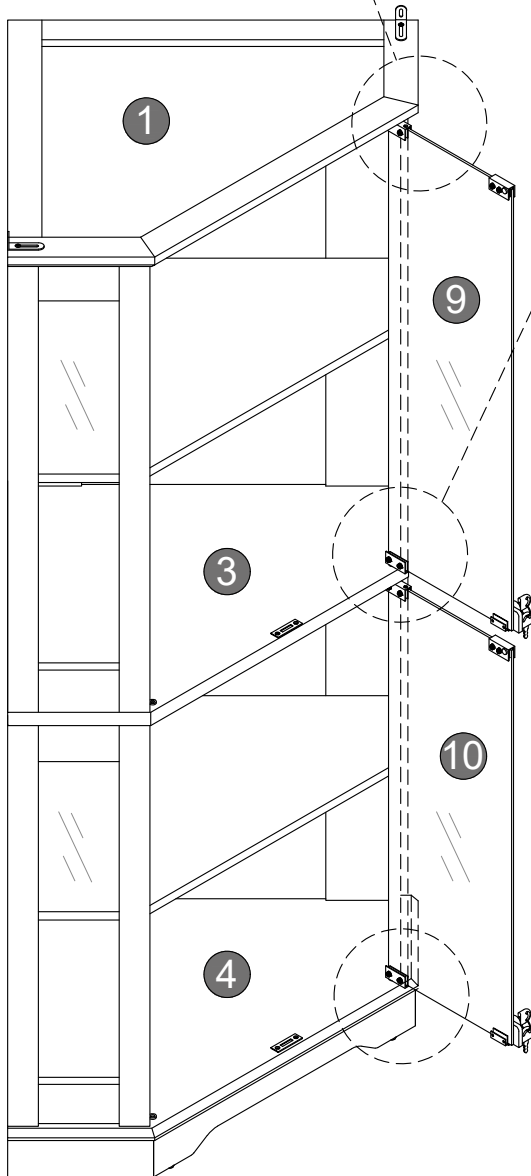
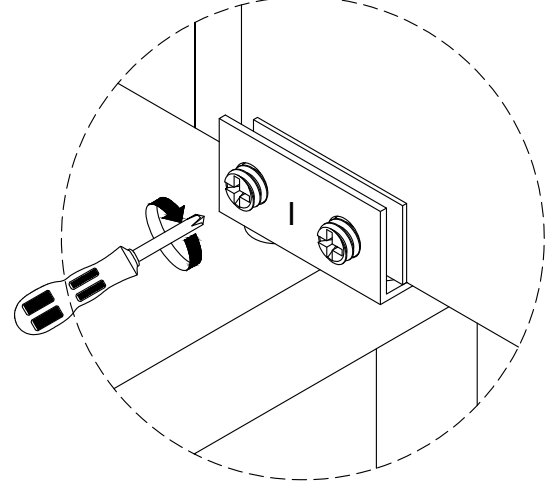
step 2



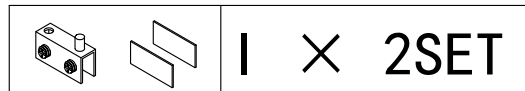
step 3



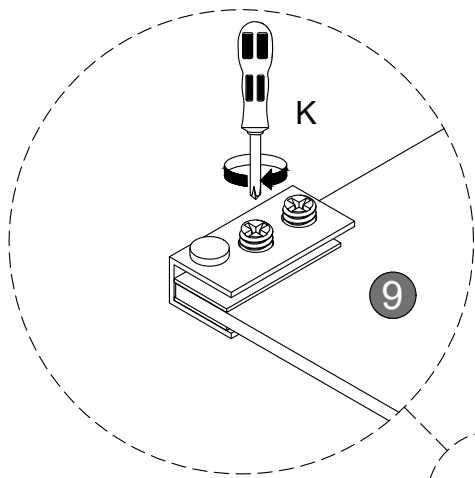
step 4



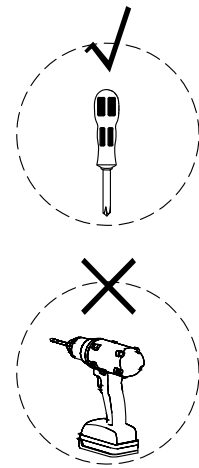
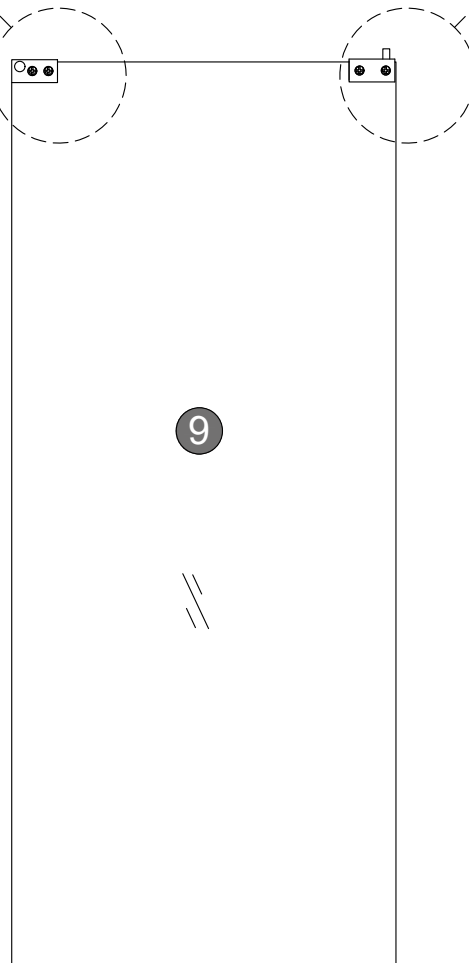
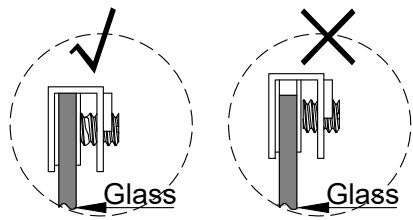
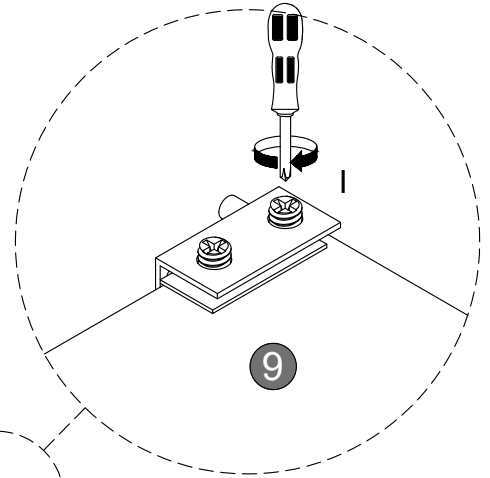
A rubber gasket should be placed between the clamp and the glass.

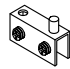

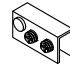



# STEP 25



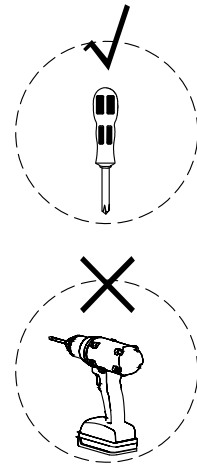
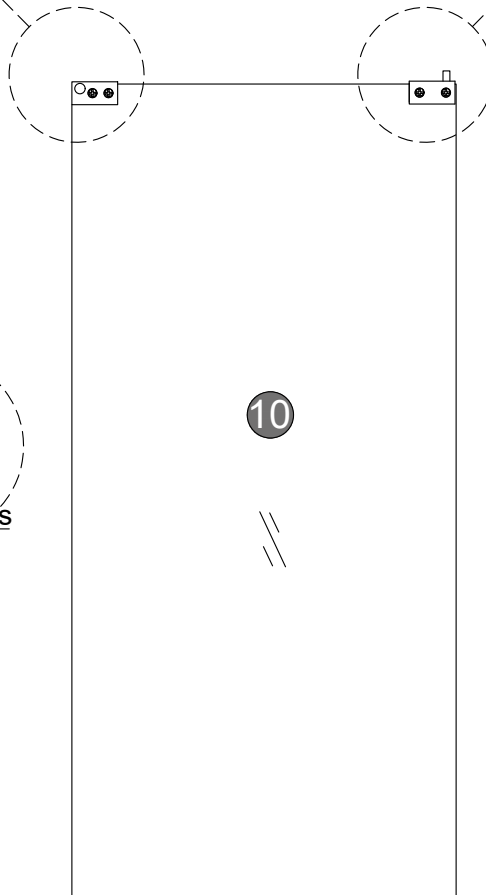
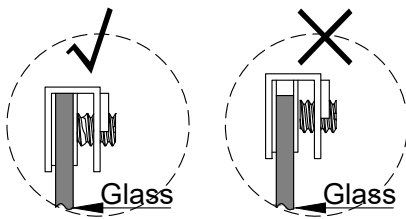
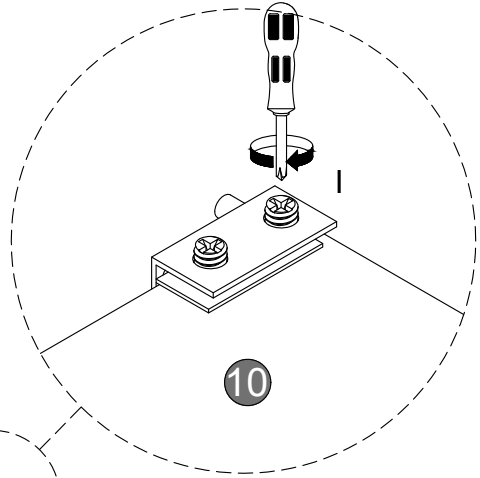
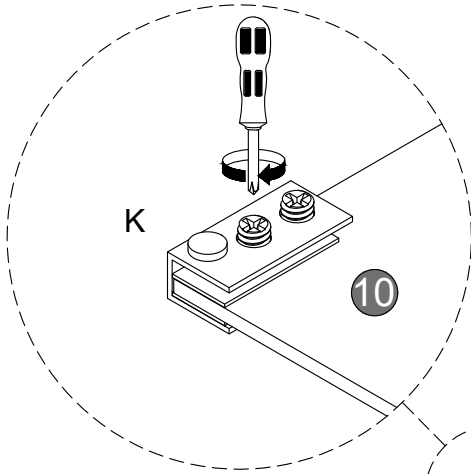
A rubber gasket should be placed between the clamp and the glass.



		I × 1SET
		K × 1SET

# STEP 26

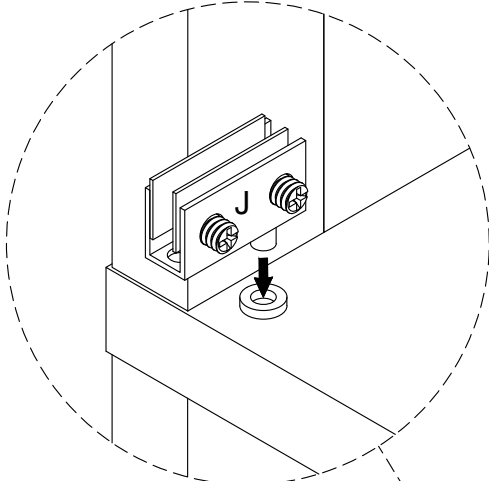
A rubber gasket should be placed between the clamp and the glass.



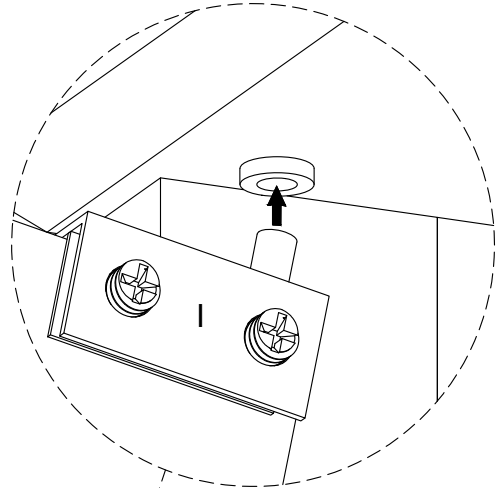
	I × 1SET
	K × 1SET

# STEP 27

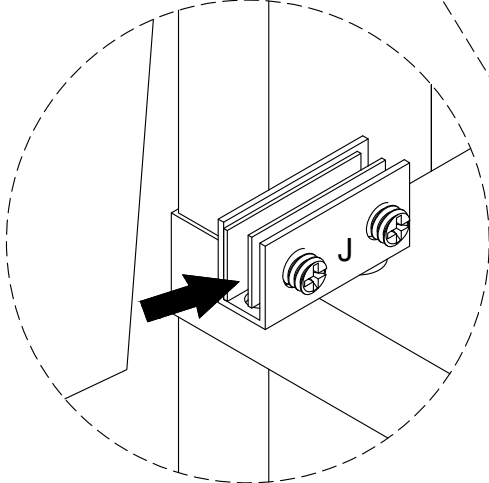
step 2



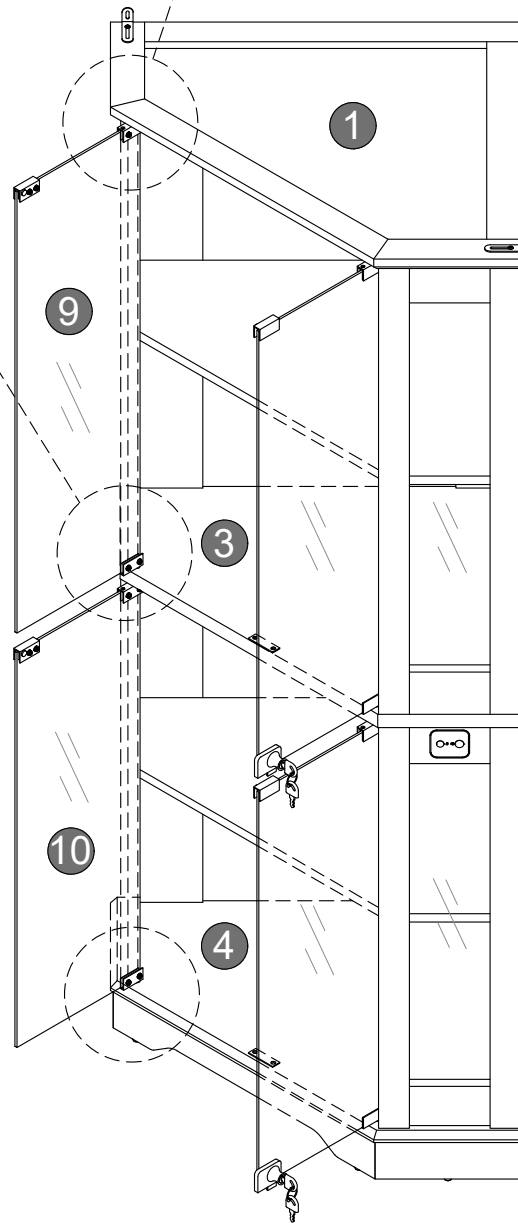
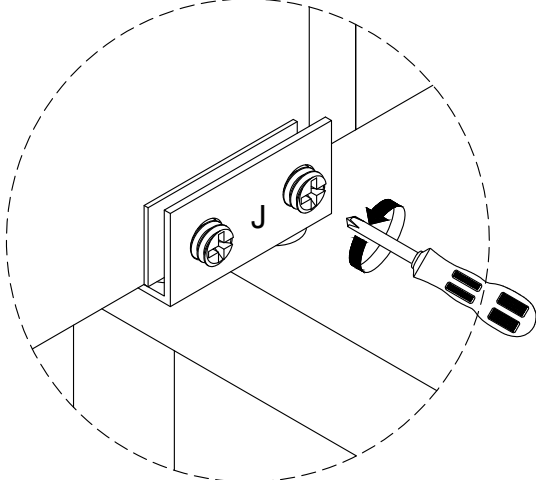
step 1



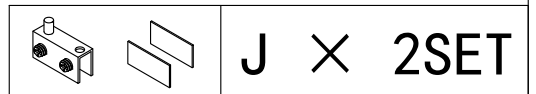
step 3



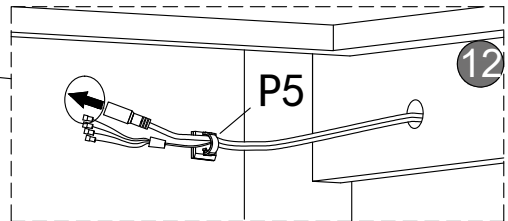
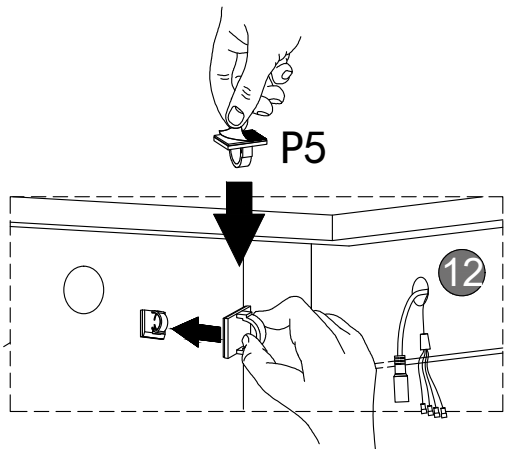
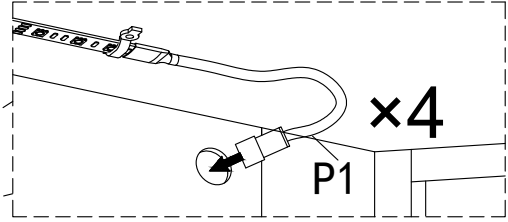
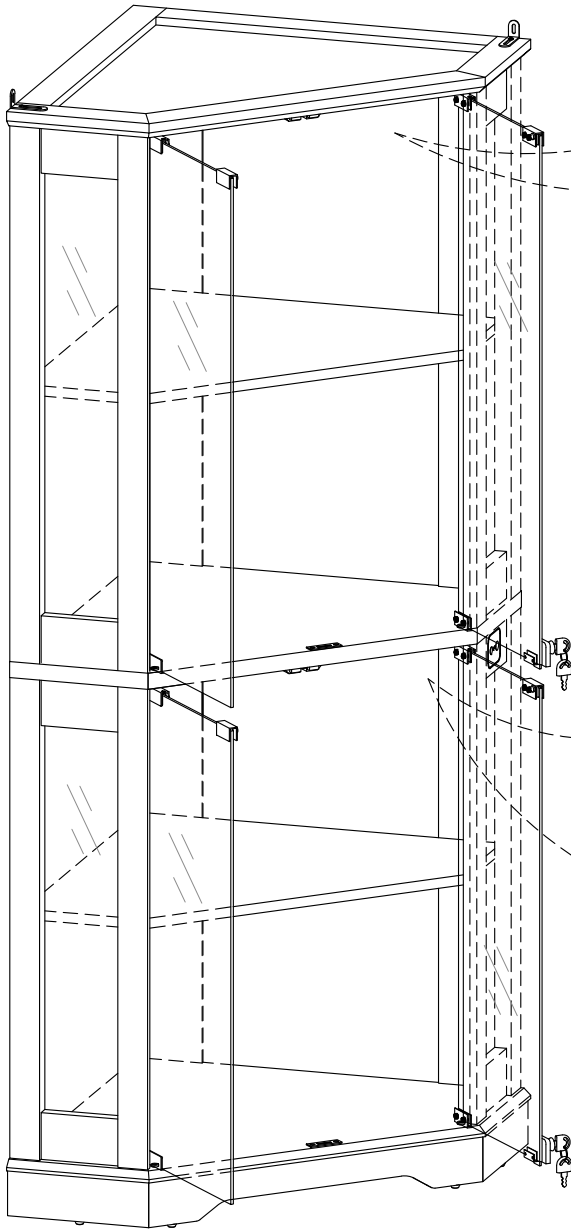
step 4

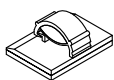


A rubber gasket should be placed between the clamp and the glass.



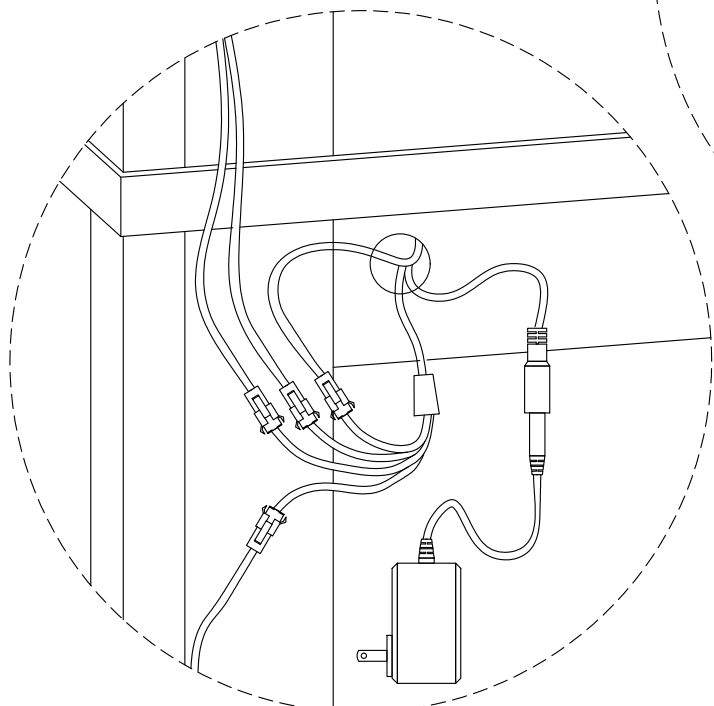
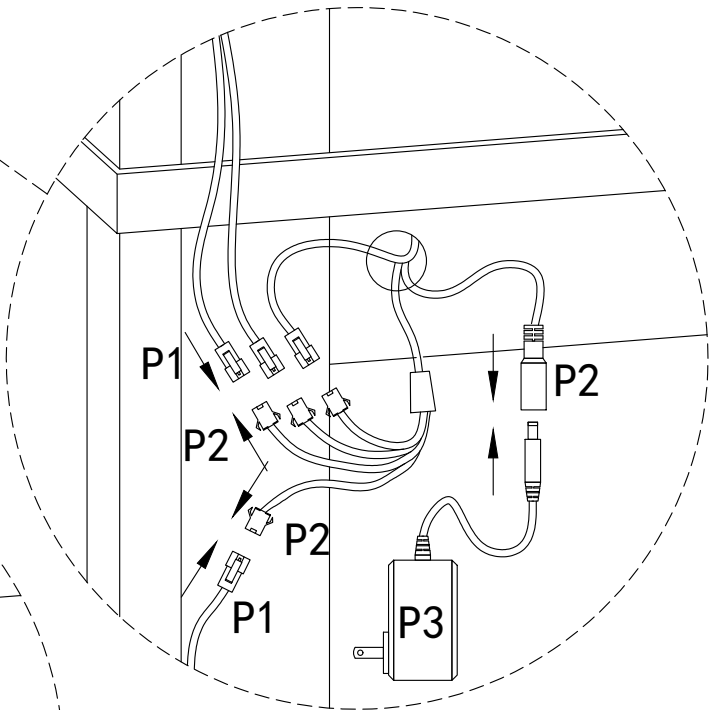
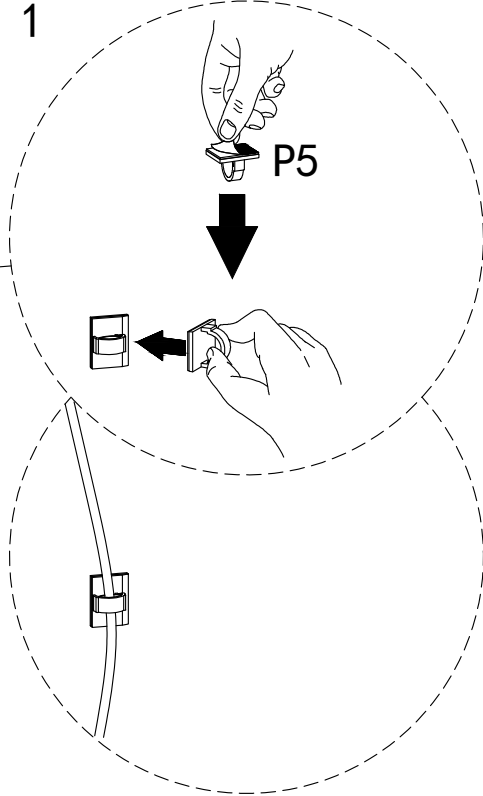
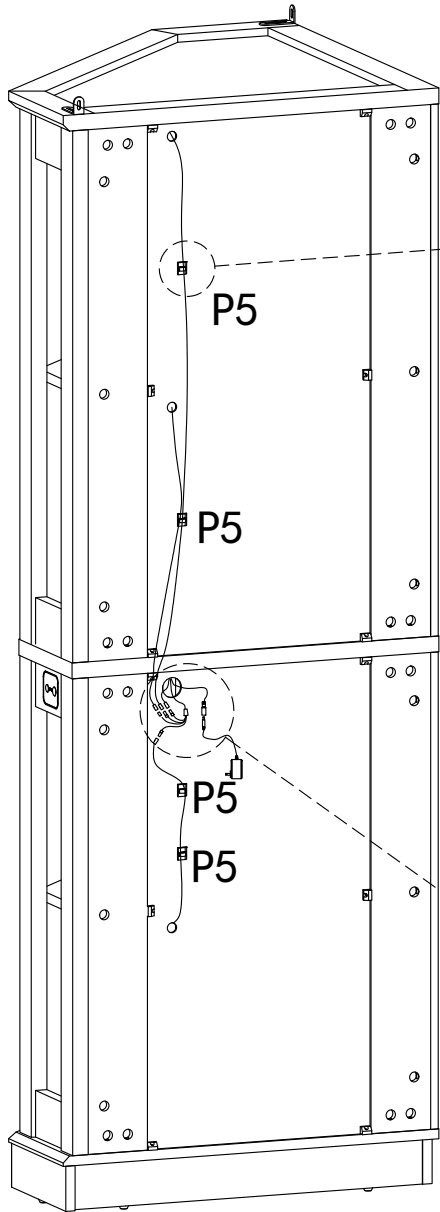
# STEP 28

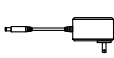



 P5 × 1PC

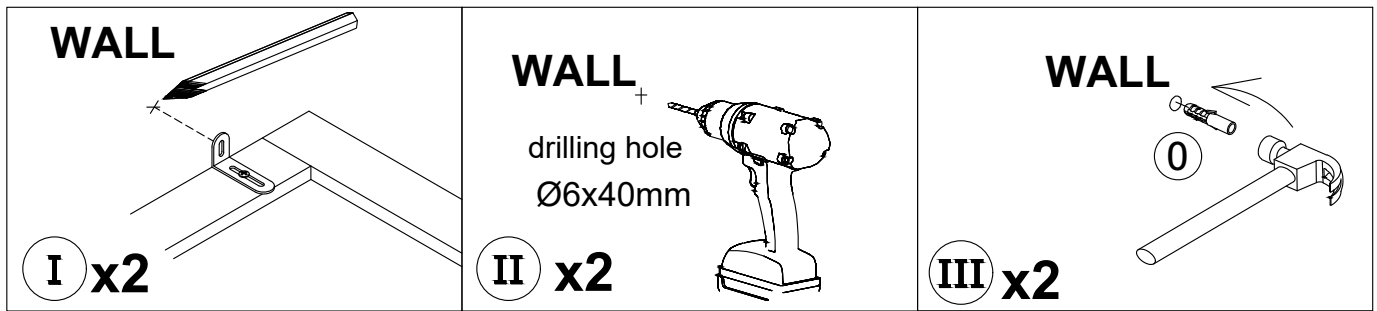
# STEP 29

step 1



	P3 × 1PC
	P5 × 4PCS

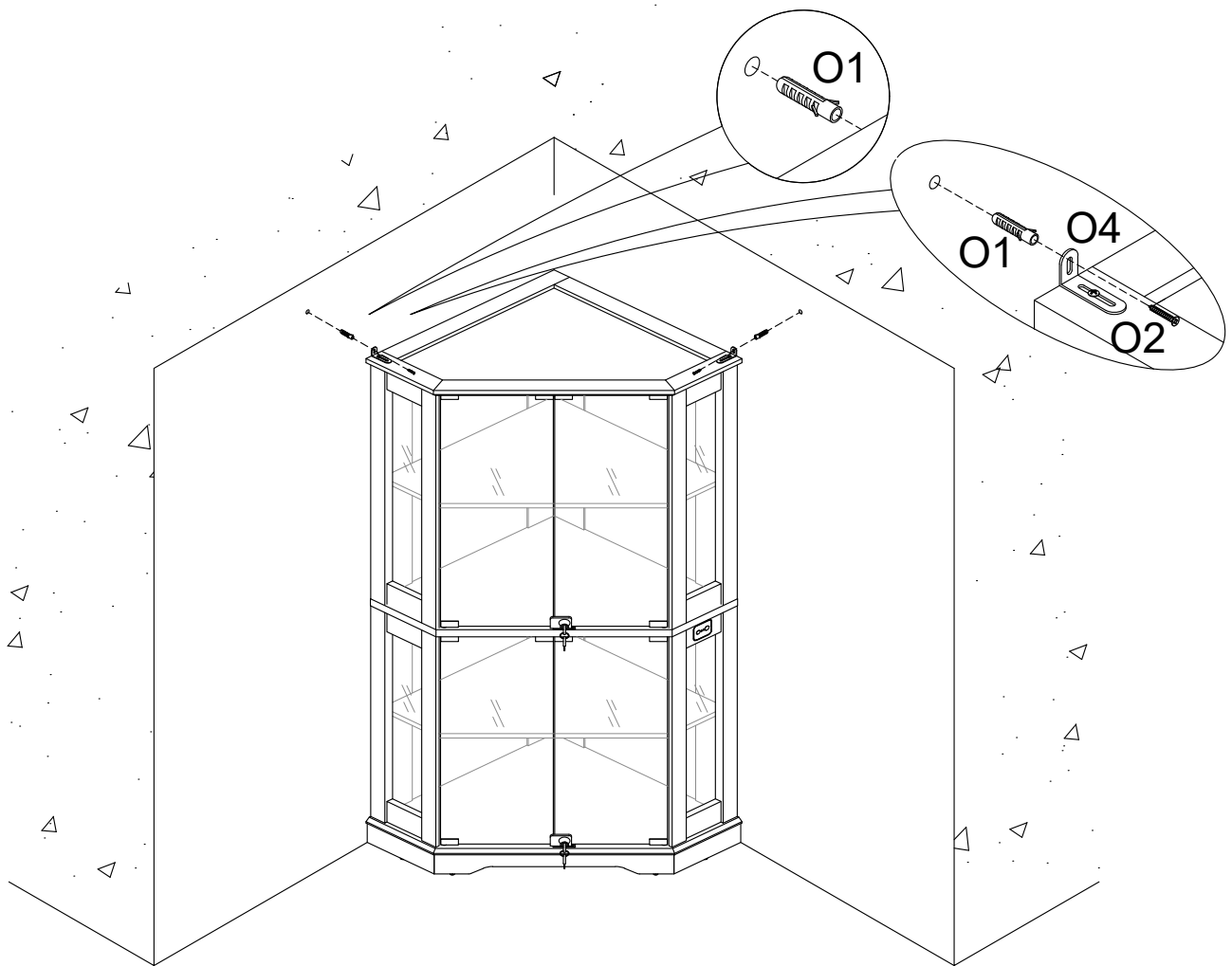
# STEP 30



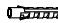
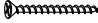
**I x2**  
 WALL  
 Mark the drill positions on the wall with a pencil.

**II x2**  
 WALL +  
 drilling hole  
 Ø6x40mm  
 Drill the holes on the marked positions.

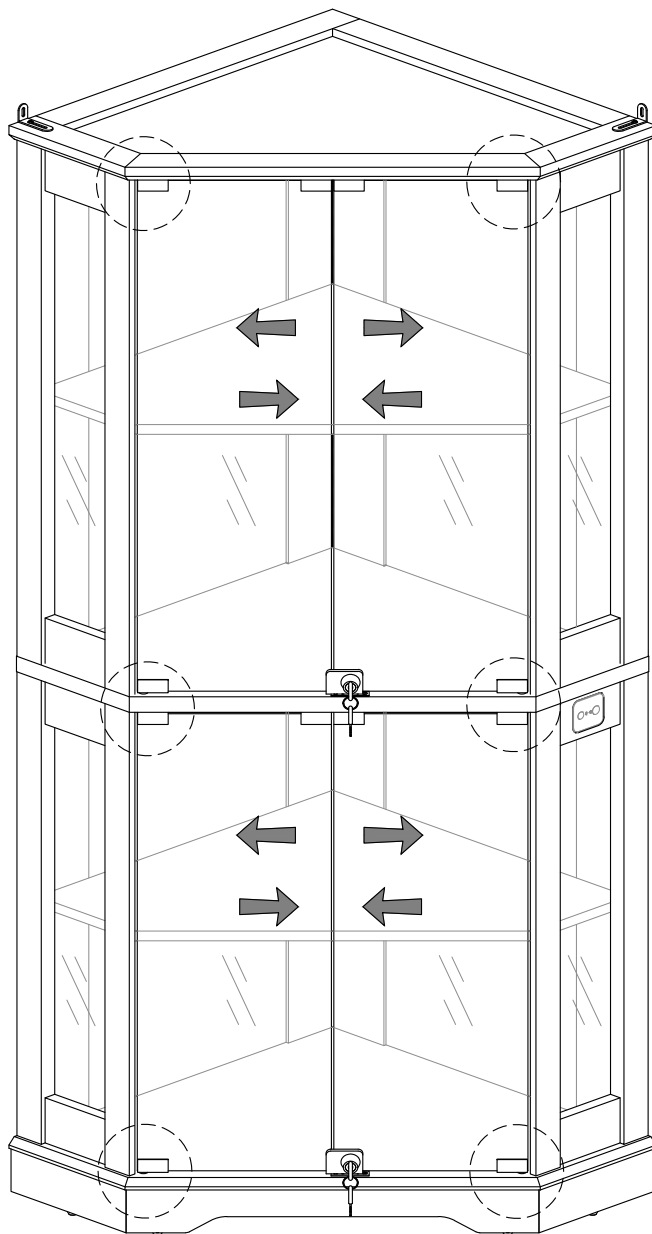
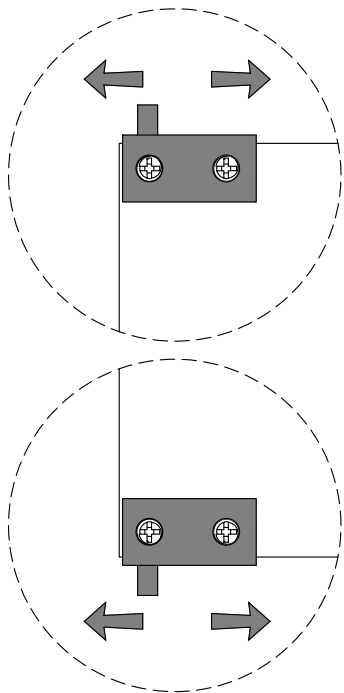
**III x2**  
 WALL  
 Insert the wall anchors into the drilled holes.



Drill a hole in the wall, then hammer the R1 into the wall with a hammer.  
 Note: Follow step link R4 and S1 with a S2 using a screwdriver, and assembly it tightly.

		0	×	2SET
O1	O2			

## STEP 31



If the door gap is uneven, loosen the screws, adjust the door position left or right as needed, and then retighten the screws.