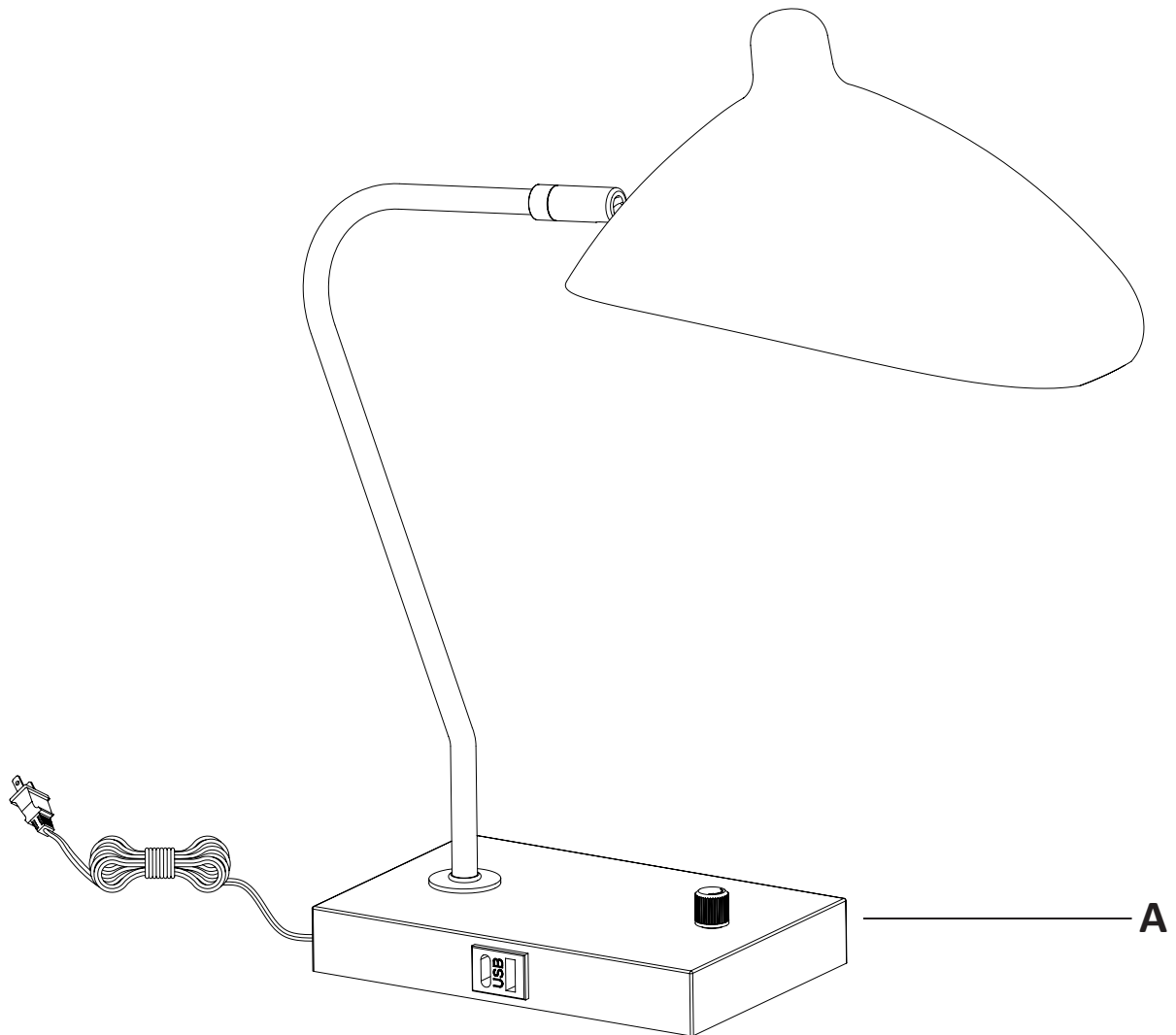


USE AND CARE MANUAL

METAL TABLE LAMP



THIS MANUAL CONTAINS IMPORTANT SAFETY INFORMATION. PLEASE READ AND KEEP FOR FUTURE REFERENCE.

IMPORTANT SAFETY INFORMATION

- This lamp is for indoor use only. The lamp should not be used near water. Never immerse the lamp in water or other liquids.
 - Never cover the lamp with any object including cloth or paper as this is a fire hazard.
 - Do not handle the bulb immediately after the light is turned off as it will be hot.
 - This portable lamp has a polarized plug (one blade is wider than the other) as a safety feature to reduce the risk of electric shock. This plug will fit into a polarized outlet only one way. If the plug does not fit fully into the outlet, reverse the plug. If it still does not fit, contact a qualified electrician. Never use with an extension cord unless plug can be fully inserted. Do not alter the plug.
-

PREPARATION

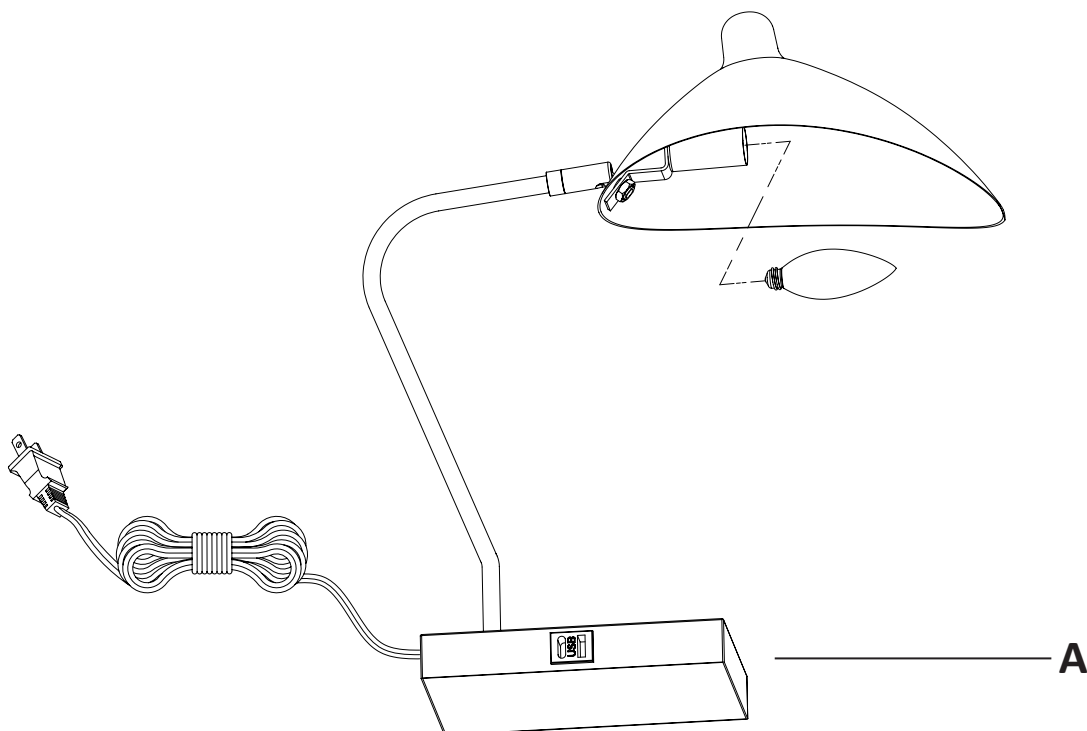
- Before beginning assembly, installation or operation of product, make sure all parts are present. Compare parts with package contents list and diagram on previous page. If any part is missing or damaged, do not attempt to assemble, install or operate the product. Contact customer service for replacement parts.
-

ASSEMBLY

1 Installing the light bulb

- Be careful when removing the fixture body from the box.
- Adjust the shade to the desired position.
- Install the light bulb (not provided) into the socket. Use one **MAX 40 W candelabra base (E12) type "B"** bulb (recommended).

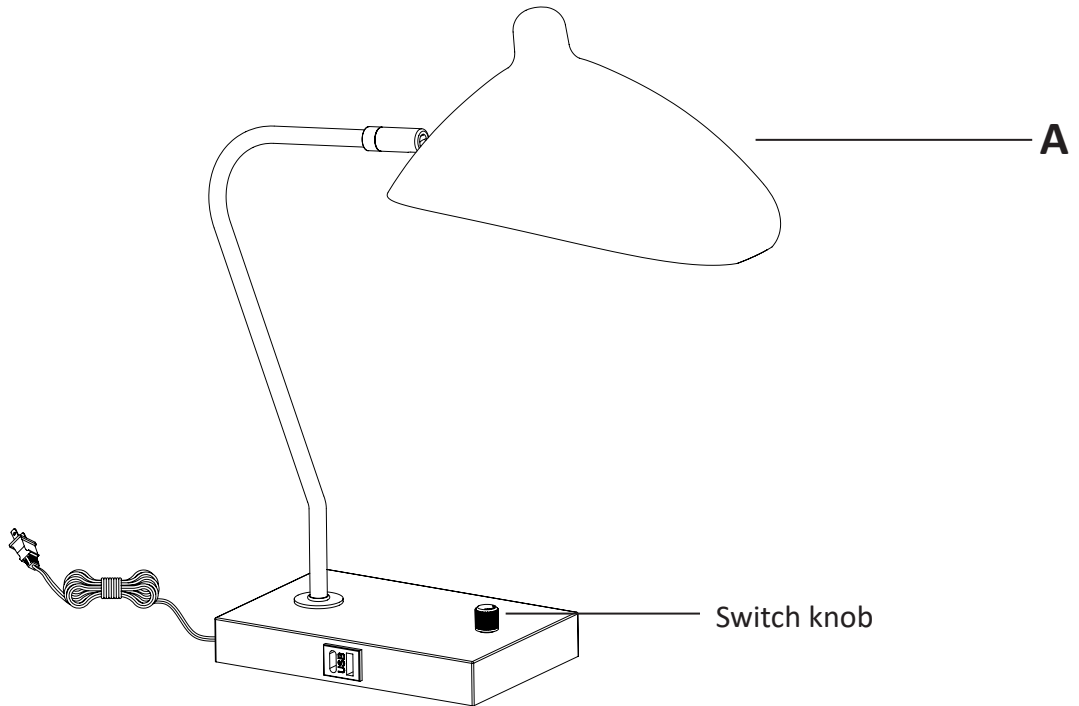
NOTE: You can also use one **MAX 9W candelabra base (E12) self-ballasted LED** bulb. Do not exceed the recommended wattage.



ASSEMBLY (continued)

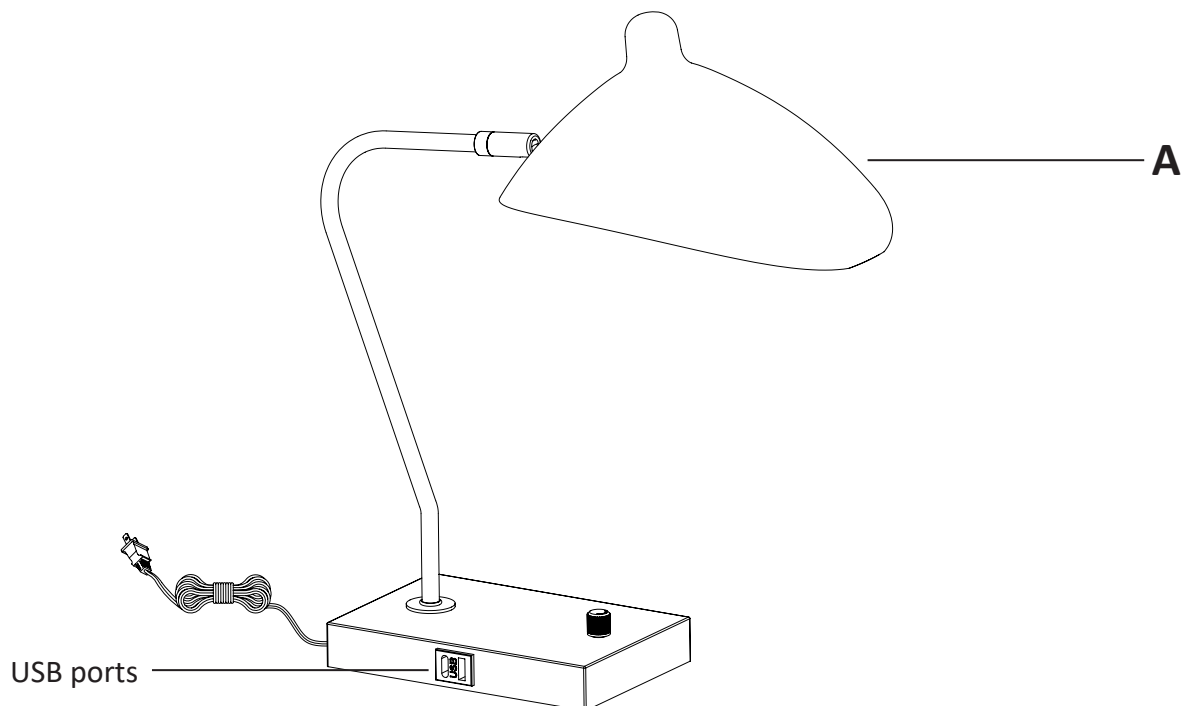
2 Using the lamp

- Plug into the wall outlet, turn on the switch and enjoy.



3 Using the USB port

- On the side of the base, there is a built-in dual USB (one type A port and one type C port) for you to connect a charging cable (not included) (powers phones, tablets & more).
- The built-in USB port type A and type C rating: **5Vdc, 2.1A**.



CLEANING

- Do not use any cleaners with chemicals, solvents, or harsh abrasives. Use only a dry, soft cloth to dust or wipe carefully.
 - To clean the fixture, pull the plug from the wall outlet. Use a dry or slightly dampened, clean cloth to wipe the exterior surface of the fixture.
-

TROUBLESHOOTING

- The light does not come on at all:
 - a) Check whether the bulb was burned out.
 - b) Ensure the power supply is turned on.
 - c) Ensure the cord is plugged into an outlet.
 - d) Ensure the circuit breaker is set in the "ON" position.
- USB port will not connect.
 - a) Discontinue use of the USB port.
 - b) Ensure the power supply is turned on.
 - c) Replace the connecting line.
- Fuse blows or circuit trips when light is turned on.
 - a) Check for crossed wires, ensure wiring is correct.