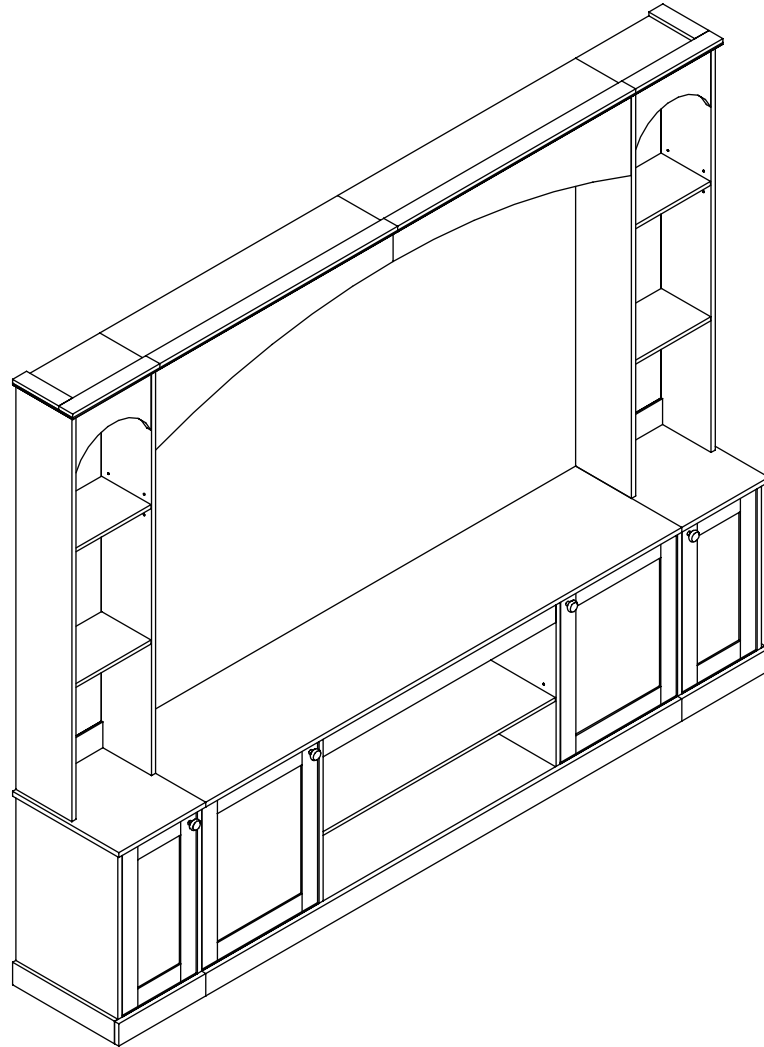


TV Stand

Assembly Instructions - Please keep for future reference



Dimensions

Width-91.65inch

Depth-15inch

Height-73.9inch



WARNING



This product is NOT a Clothing Storage Unit (CSU).

DO NOT use it for clothing storage. Improper use may cause furniture tipover.

Important – Please read these instructions fully before starting assembly



Safety and Care Advice

Important – Please read these instructions fully before starting assembly

- Check you have all the components and tools listed on the following pages.
- Remove all fittings from the plastic bags and separate them into their groups.
- Keep children and animals away from the work area, small parts could choke if swallowed.
- Make sure you have enough space to layout the parts before starting.

- During assembly do not stand or put weight on the product, this could cause damage.
- Assemble the item as close to its final position (in the same room) as possible.
- Assemble on a soft level surface to avoid damaging the unit or your floor.
- Parts of the assembly will be easier with 2 people.



To reduce the likelihood of damaging your product please ensure that your power drill is set on a low torque setting.

- To reduce the likelihood of damaging your product please ensure that your

Care and maintenance

- Only clean using a damp cloth and mild detergent, do not use bleach or abrasive cleaners.

- From time to time check that there are no loose screws on this unit.

- This product should not be discarded with household waste. Take to your local authority waste disposal centre.

Handy Hints

- Assemble all parts and bolts loosely during assembly, only once the product is complete should you fully tighten the bolts

- Regularly check and ensure That all bolts and fittings are tightened properly.

WARNING In order to help prevent overturning – please follow these instructions

To help prevent product toppling over please follow the below steps:-

Use the anti tip stap or wall fixing method provided (if applicable)
Do not allow children to climb or hang on the furniture
Do not open more than one drawer at a time
Do not place heavy items in the top drawers
Do not place heavy items on top of the furniture, unless the furniture has been designed for this purpose

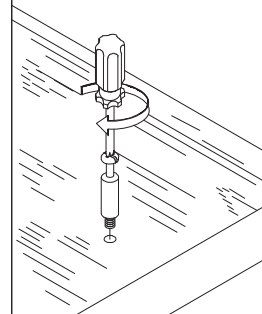
Using Camlocks

Step 1

Connect the male camlock as directed in the assembly instructions using a screwdriver.

1

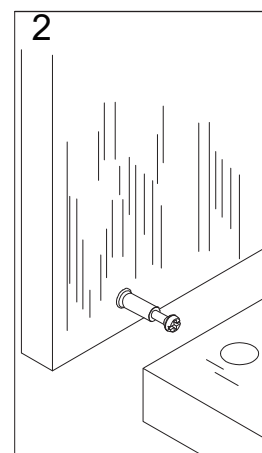
DO NOT OVER TIGHTEN.
NE PAS SERRER EXCESSIVEMENT.



Step 2

Push the male camlock into the entry hole.

2

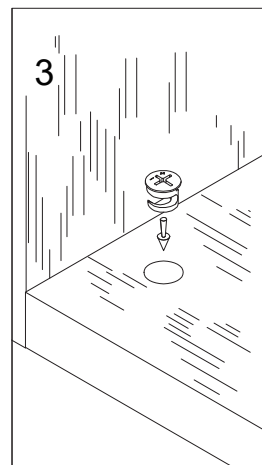


Step 3

Insert the female camlock as shown in the instruction.

Note: ensure that the arrow on the top of the camlock points towards the entry hole for the male camlock.

3



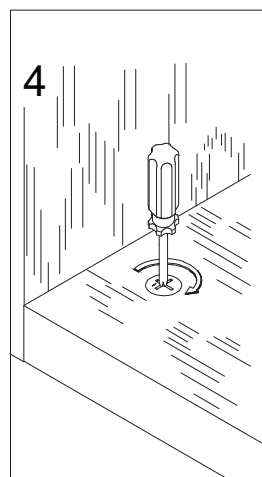
Step 4

Turn the female camlock clockwise with a screwdriver.

You should feel a click when the camlock is locked in place.

The joint is now secure.

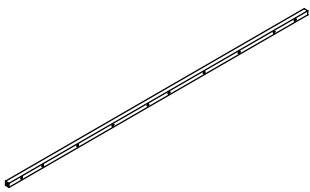
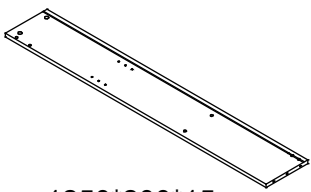
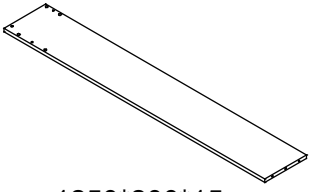
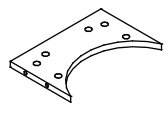
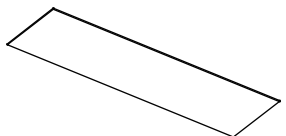
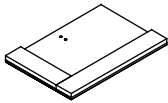
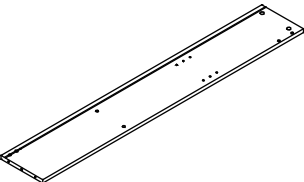
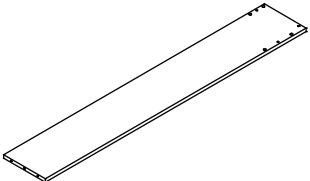
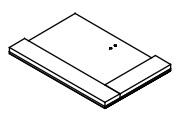
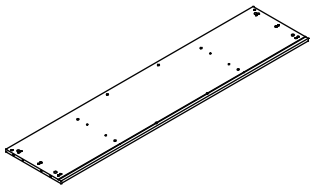
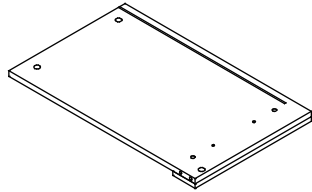
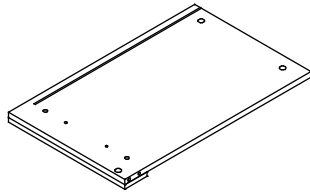
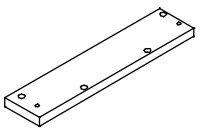
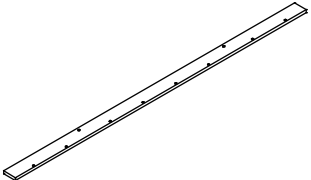
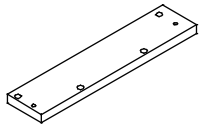
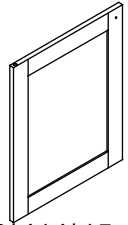
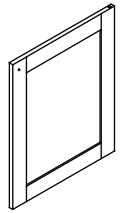
4



Assembly Instructions

There are 2 boxes of this product

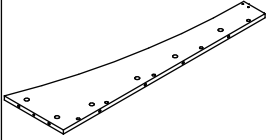
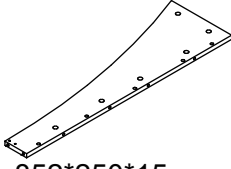
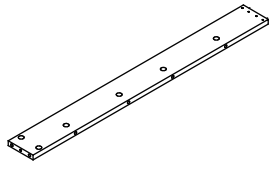
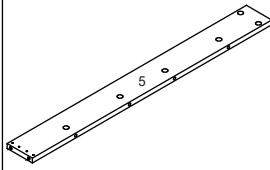
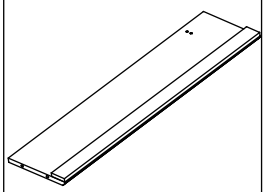
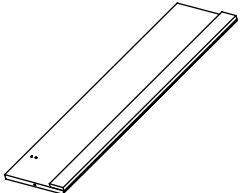
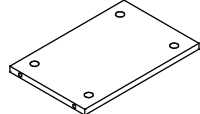
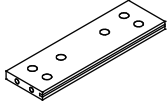
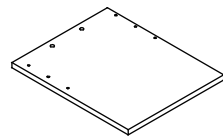
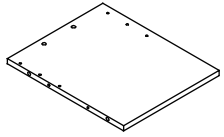
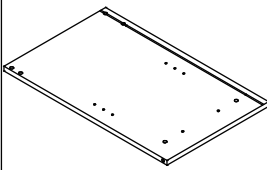
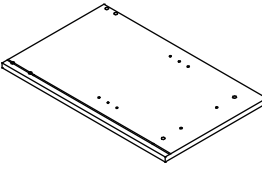
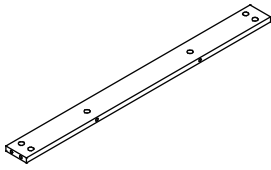
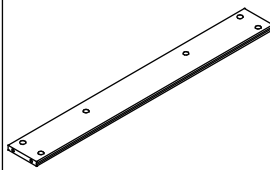
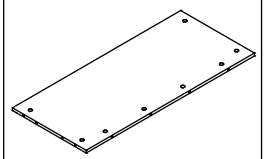
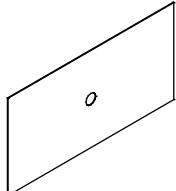
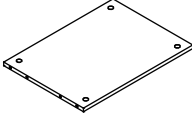
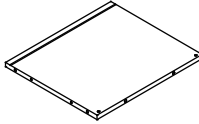
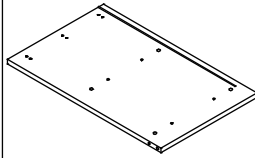
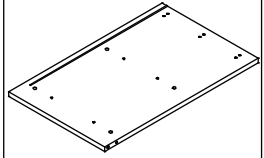
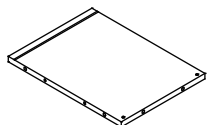
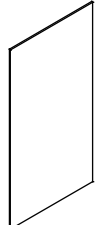
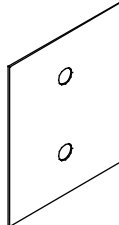
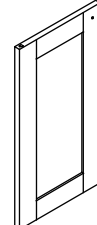
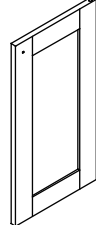
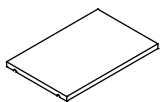
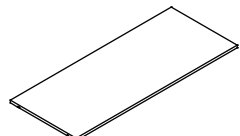
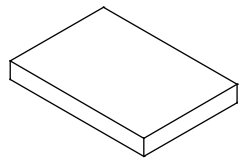
BOX-1

 <p>1704*20*20mm ③ X 1</p>	 <p>1250*200*15mm ⑧ X 1</p>	 <p>1250*200*15mm ⑨ X 1</p>	 <p>270*180*15mm ⑩ X 2</p>
 <p>1181*281*3mm ⑬ X 2</p>	 <p>312*215*27mm ⑭ X 1</p>	 <p>1250*200*27mm ⑯ X 1</p>	 <p>1250*200*27mm ⑰ X 1</p>
 <p>312*215*27mm ⑱ X 1</p>	 <p>1704*380*15mm ⑳ X 1</p>	 <p>585*365*27mm ㉓ X 1</p>	 <p>585*365*27mm ㉔ X 1</p>
 <p>312*69*15mm ㉕ X 1</p>	 <p>1704*69*15mm ㉖ X 1</p>	 <p>312*69*15mm ㉗ X 1</p>	 <p>510*414*15mm ㉘ X 1</p>
 <p>510*2414*15mm ㉙ X 1</p>			

Assembly Instructions

There are 2 boxes of this product

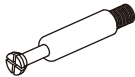

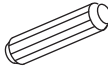

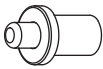
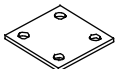
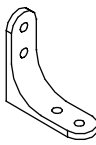

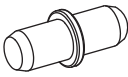
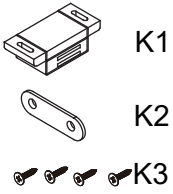

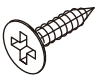


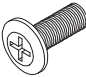
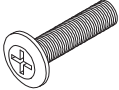

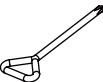
BOX-2

 <p>852*250*15mm ① X 1</p>	 <p>852*250*15mm ② X 1</p>	 <p>852*90*15mm ④ X 1</p>	 <p>852*90*15mm ⑤ X 1</p>	 <p>852*215*27mm ⑥ X 1</p>
 <p>852*215*27mm ⑦ X 1</p>	 <p>270*177*15mm ⑪ X 2</p>	 <p>270*80*15mm ⑫ X 2</p>	 <p>380*312*15mm ⑮ X 1</p>	 <p>380*312*15mm ⑲ X 1</p>
 <p>585*365*15mm ⑳ X 1</p>	 <p>585*365*15mm ㉒ X 1</p>	 <p>834*70*15mm ㉓ X 1</p>	 <p>834*100*15mm ㉔ X 1</p>	 <p>834*365*15mm ㉕ X 1</p>
 <p>843*427*3mm ㉖ X 1</p>	 <p>420*306*12mm ㉗ X 2</p>	 <p>420*365*15mm ㉘ X 2</p>	 <p>585*365*15mm ㉙ X 1</p>	 <p>585*365*15mm ㉚ X 1</p>
 <p>365*270*15mm ㉛ X 2</p>	 <p>526*280*3mm ㉟ X 2</p>	 <p>527*429*3mm ㊸ X 2</p>	 <p>510*264*15mm ㊹ X 1</p>	 <p>510*264*15mm ㊺ X 1</p>
 <p>268.5*177*12mm ㊻ X 2</p>	 <p>832.5*340*12mm ㊼ X 1</p>	 <p>Hardware Pack X1</p>		

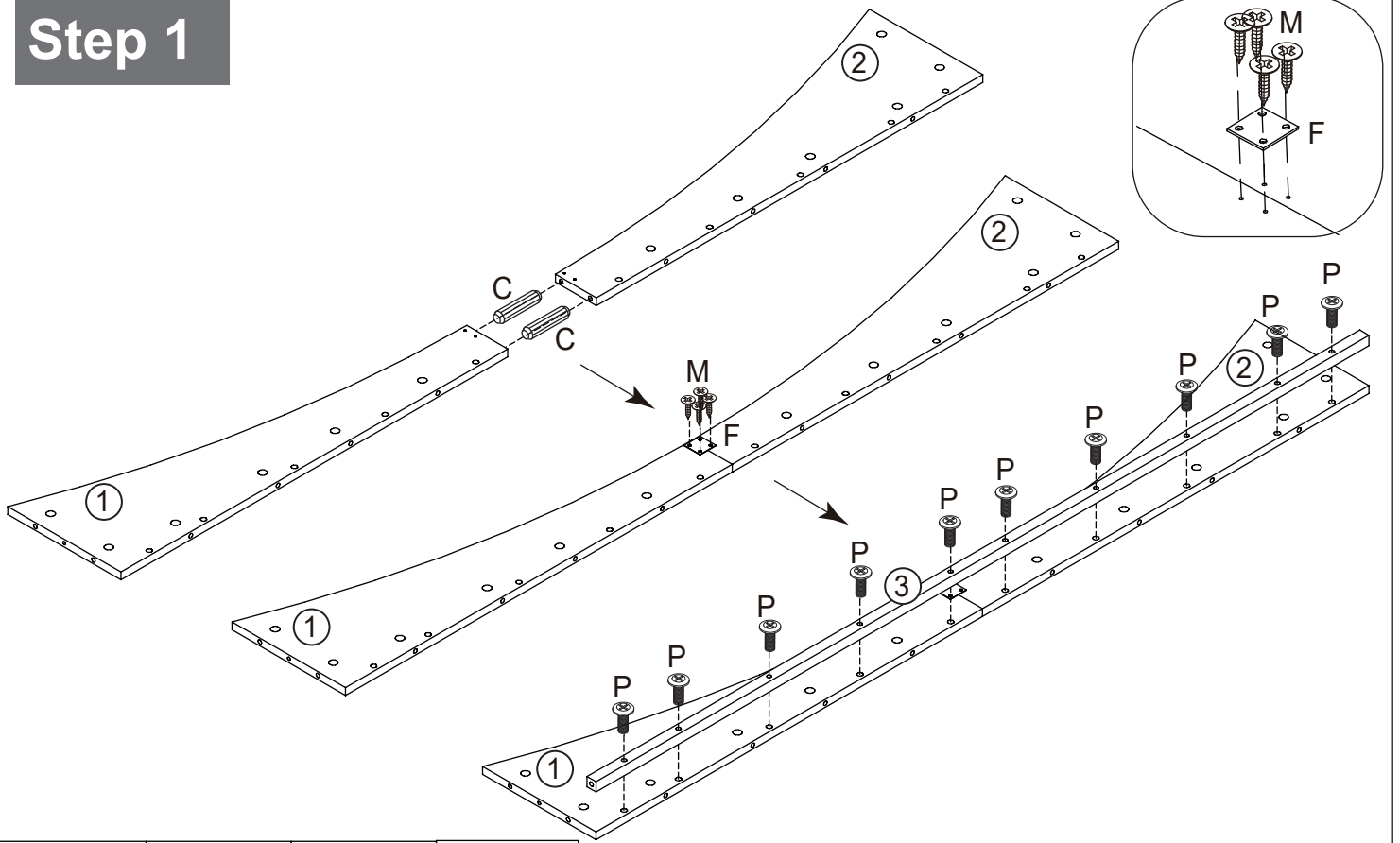
Components-Fittings

Please check you have all the panels listed below

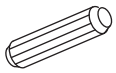
Note: The quantities below are the correct amount to complete the assembly. In some cases more fittings may be supplied than are required.

<p>(A)</p>  <p>Cam Bolt x 142+2</p>	<p>(B)</p>  <p>Cam Lock x 142+2</p>	<p>(C)</p>  <p>6*30mm Dowel x 65+2</p>	<p>(D)</p>  <p>5*40mm Screw x 8+1</p>
<p>(E)</p>  <p>Rotating shaft x 8+2</p>	<p>(F)</p>  <p>Iron sheet x 5</p>	<p>(G)</p>  <p>Angle iron x 6</p>	<p>(H)</p>  <p>Handle x 4</p>
<p>(J)</p>  <p>Metal shelf support x 12+ 2</p>	<p>(K)</p>  <p>door holder x 8</p>	<p>(L)</p>  <p>Back panel buckle x 60+2</p>	<p>(M)</p>  <p>3.5*14mm Screw x 44+2</p>
<p>(N)</p>  <p>Perfect Fit x 45</p>	<p>(O)</p>  <p>felt x 48+2</p>	<p>(P)</p>  <p>6*30mm Screw x 10+1</p>	<p>(R)</p>  <p>6*50mm Screw x 2+1</p>
<p>(S)</p>  <p>Anti dumping x 4 set</p>		<p>(T)</p>  <p>Screwdriver x 1</p>	

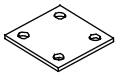
Step 1



C*2



F*1



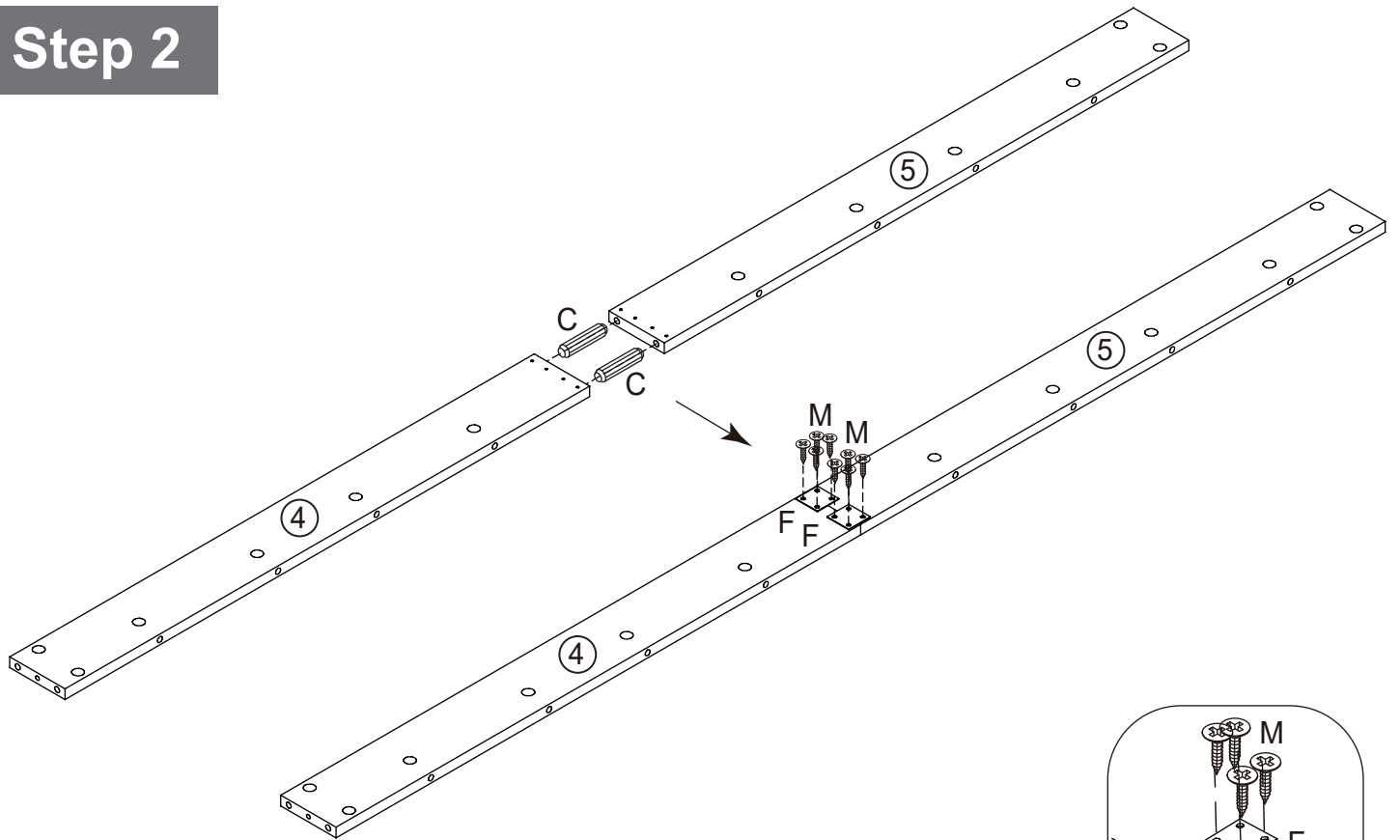
M*4



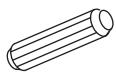
P*10



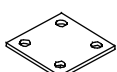
Step 2



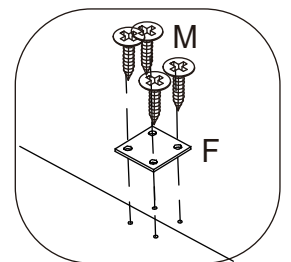
C*2



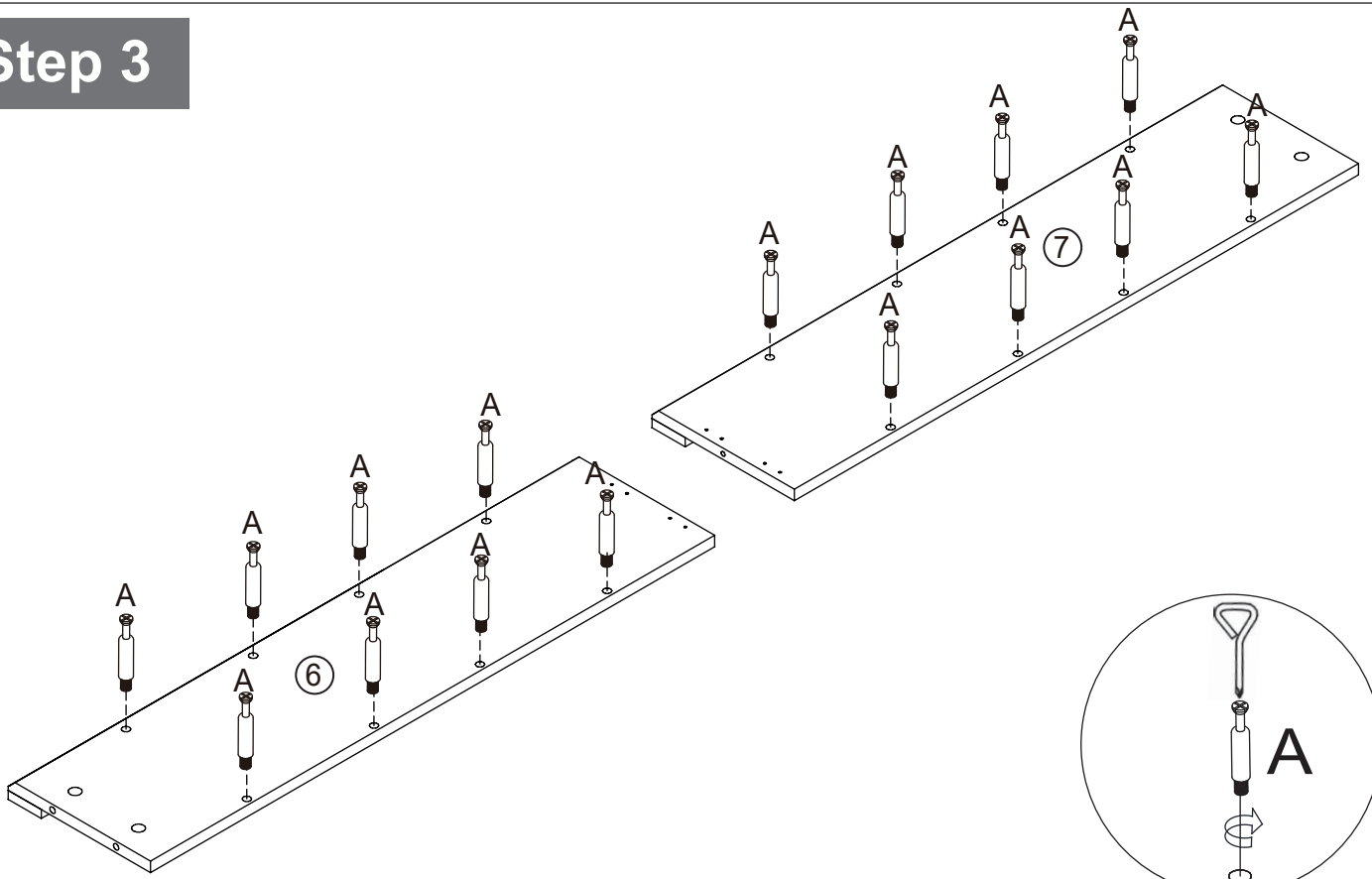
F*2



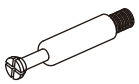
M*8



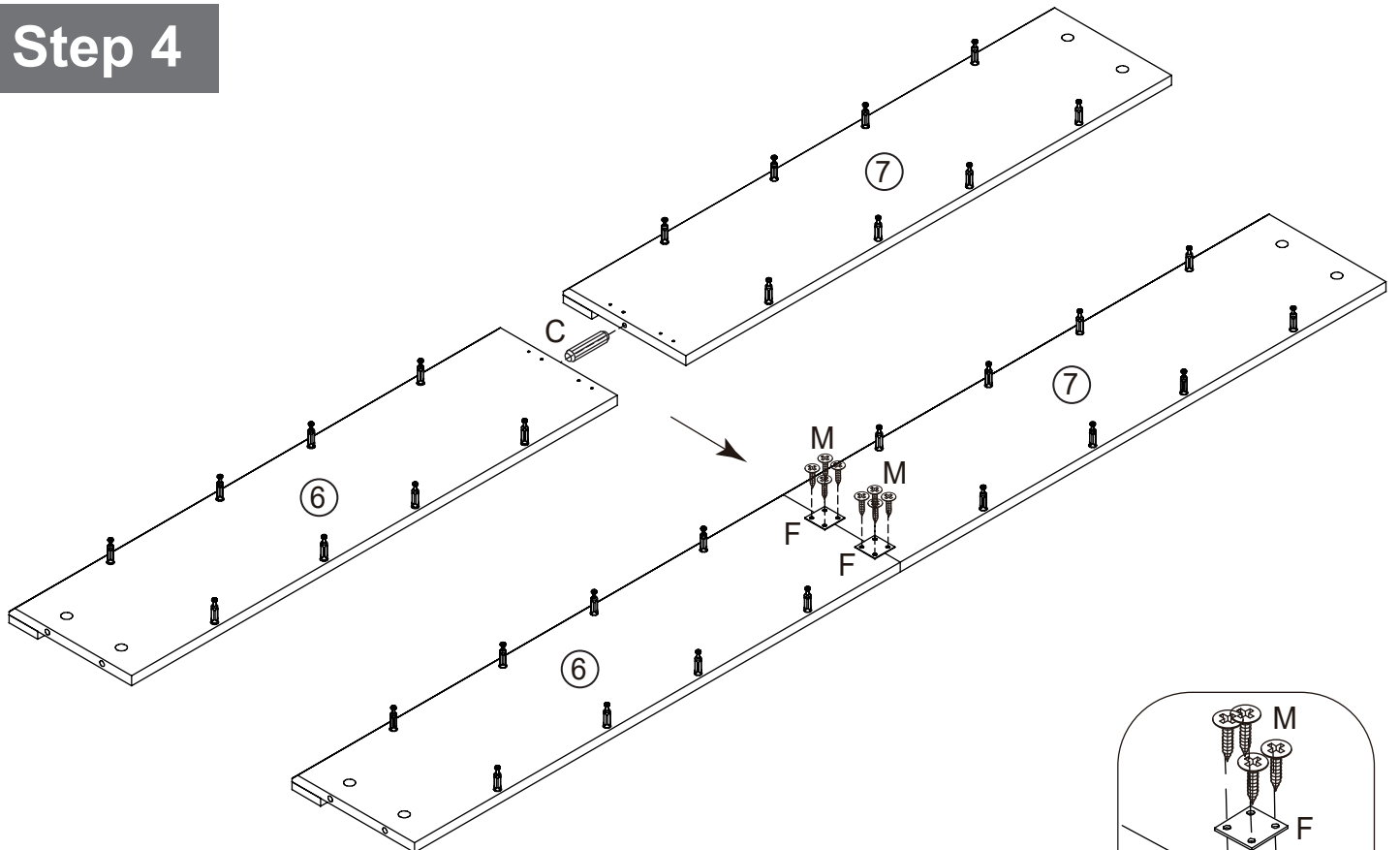
Step 3



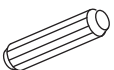
A*16



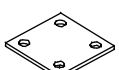
Step 4



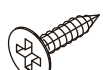
C*1



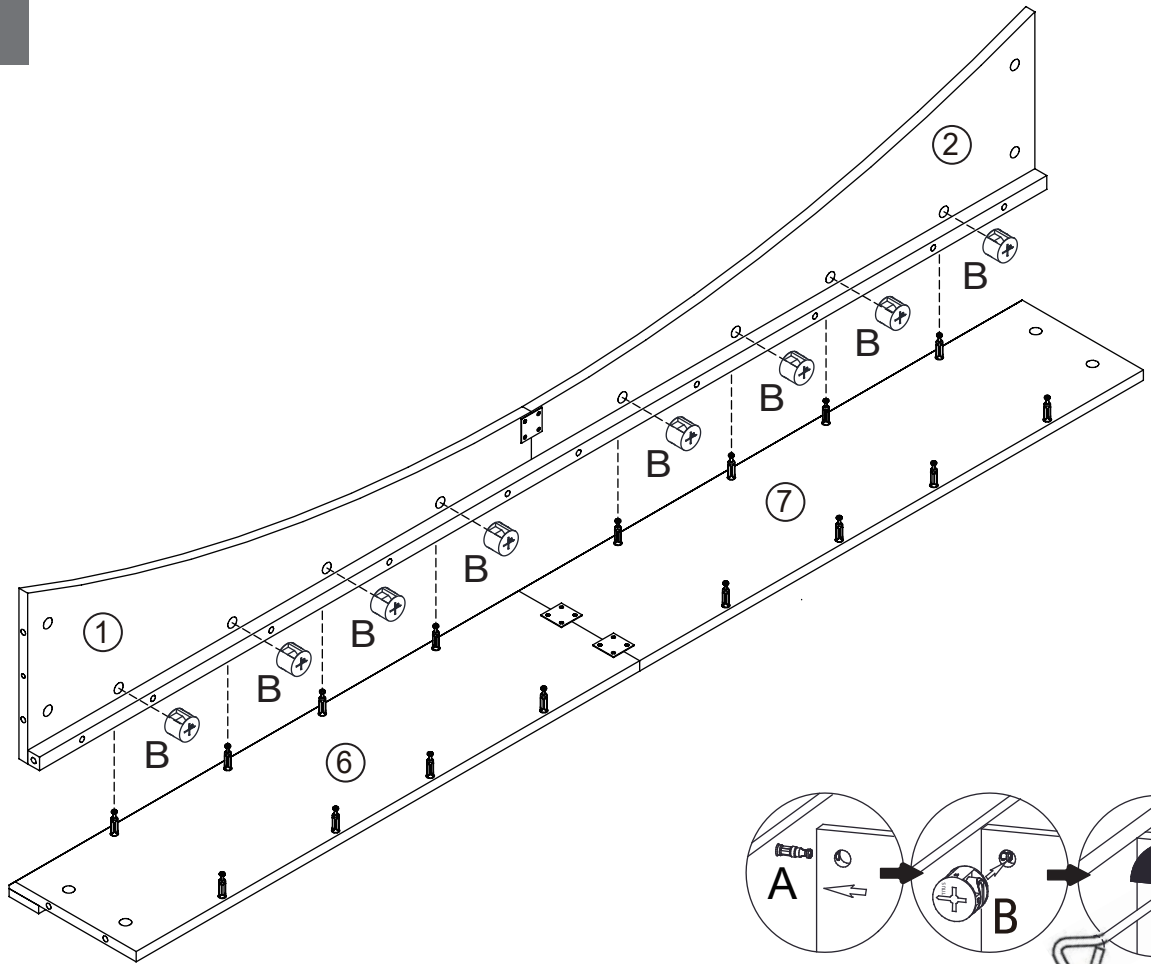
F*2



M*8



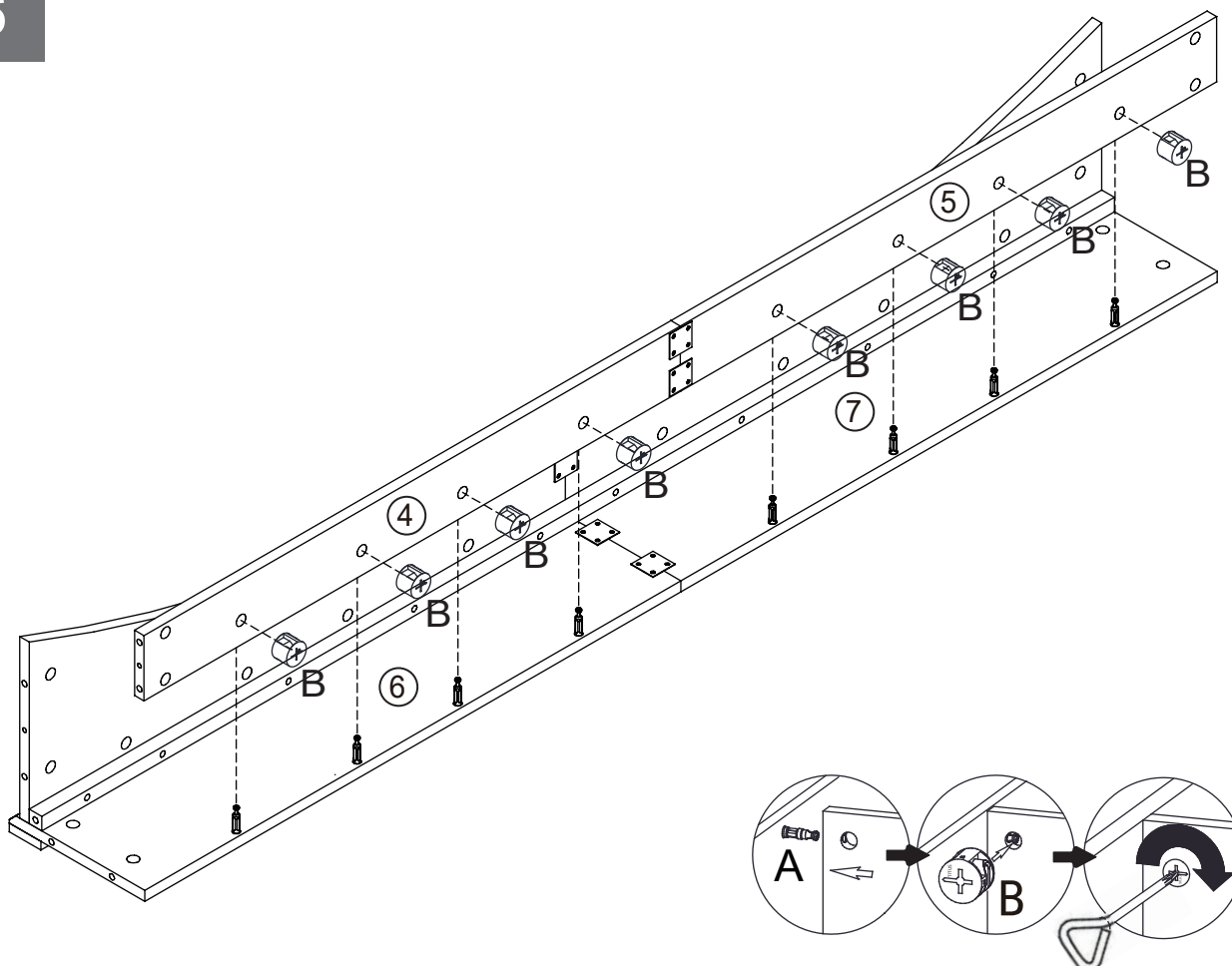
Step 5



B*8



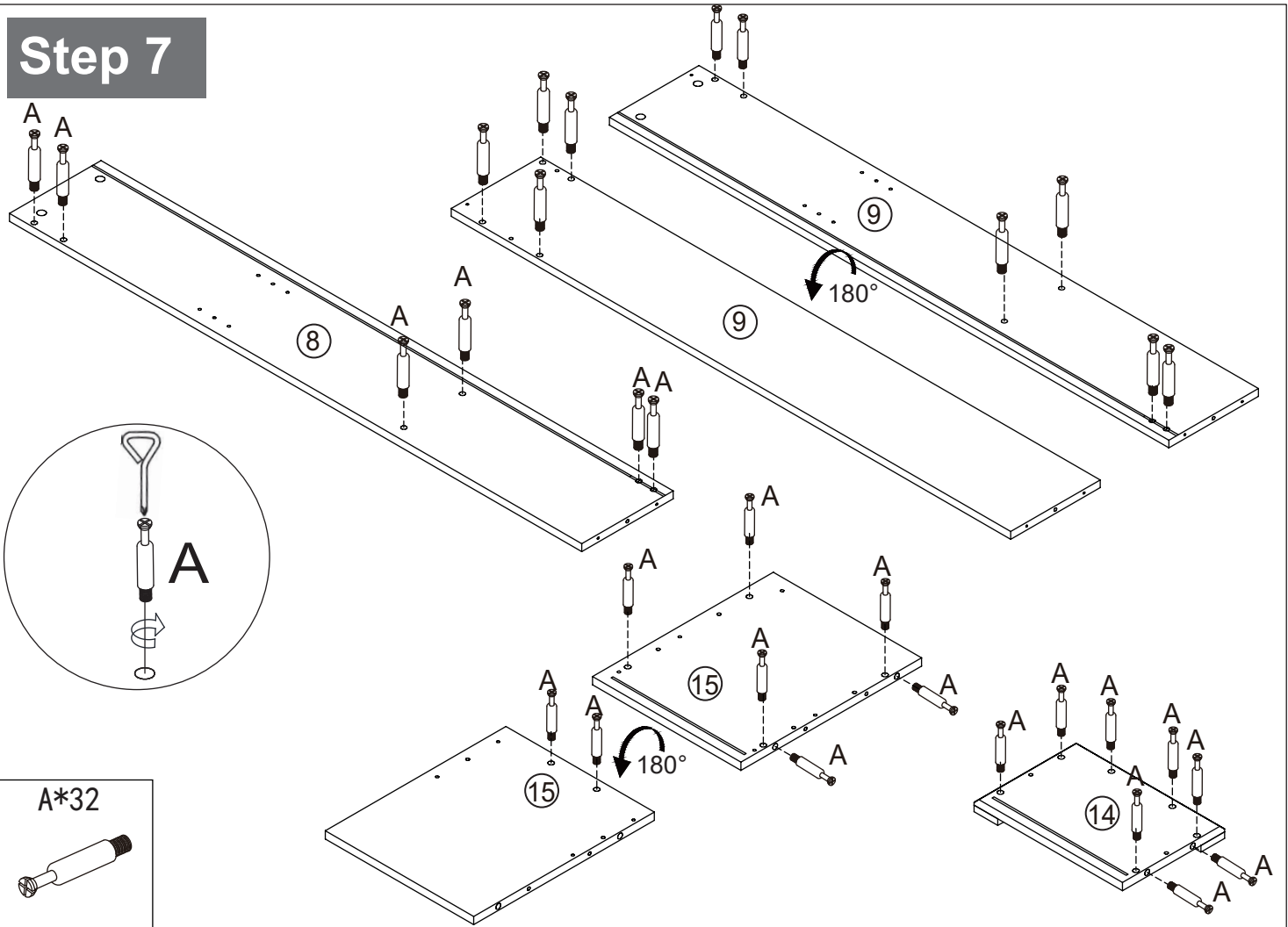
Step 6



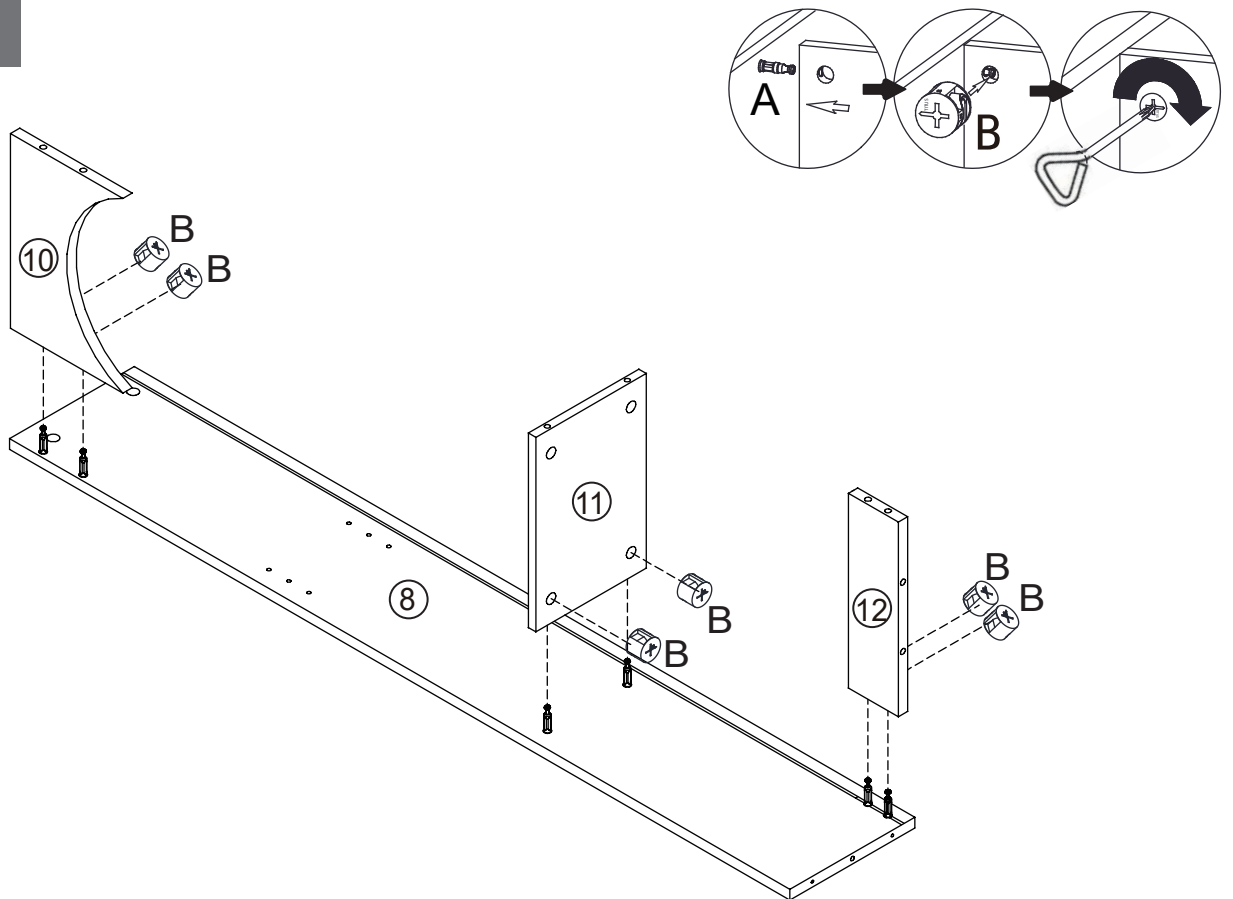
B*8



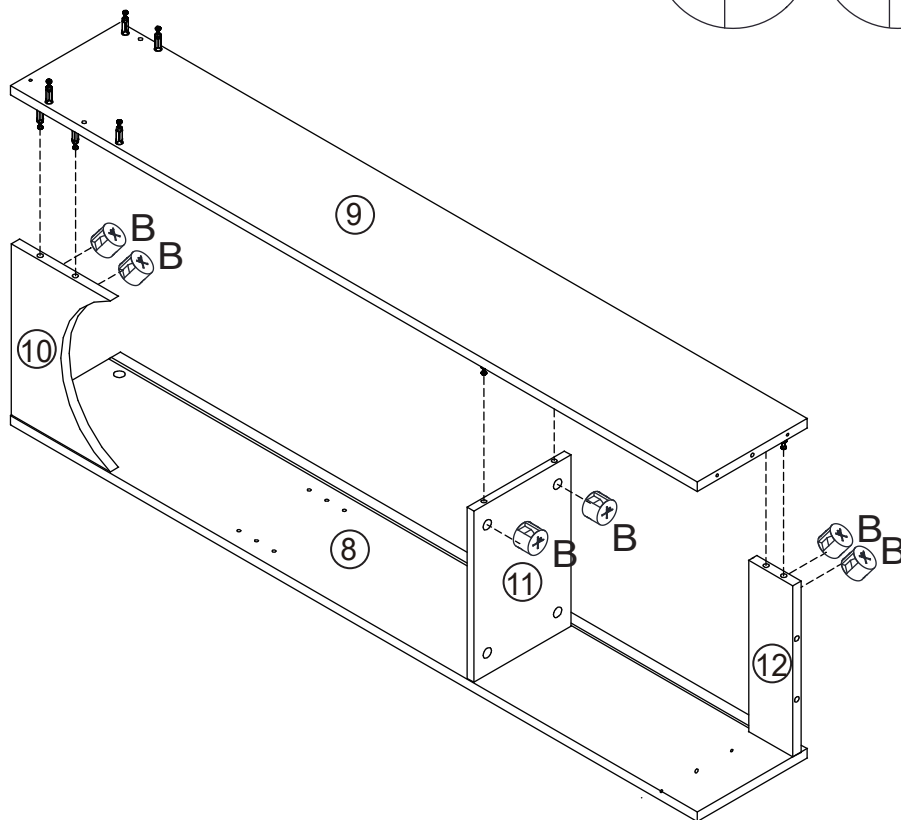
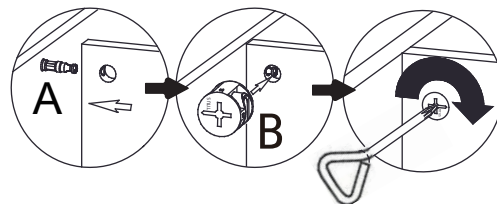
Step 7



Step 8



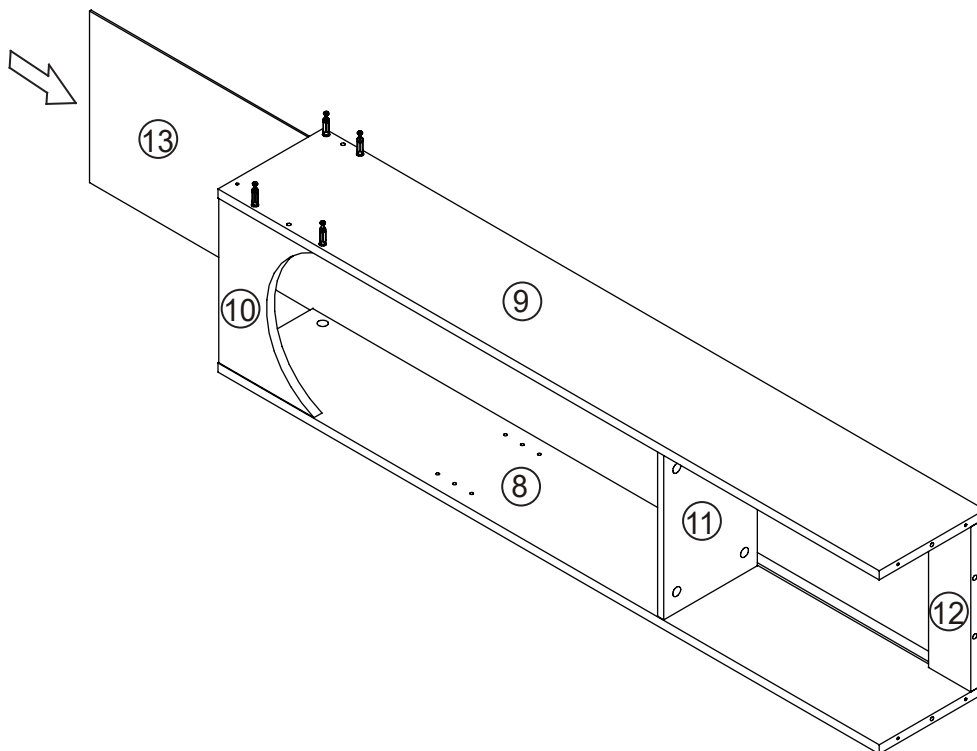
Step 9



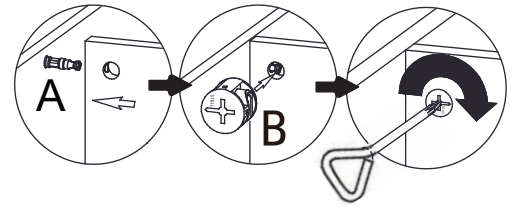
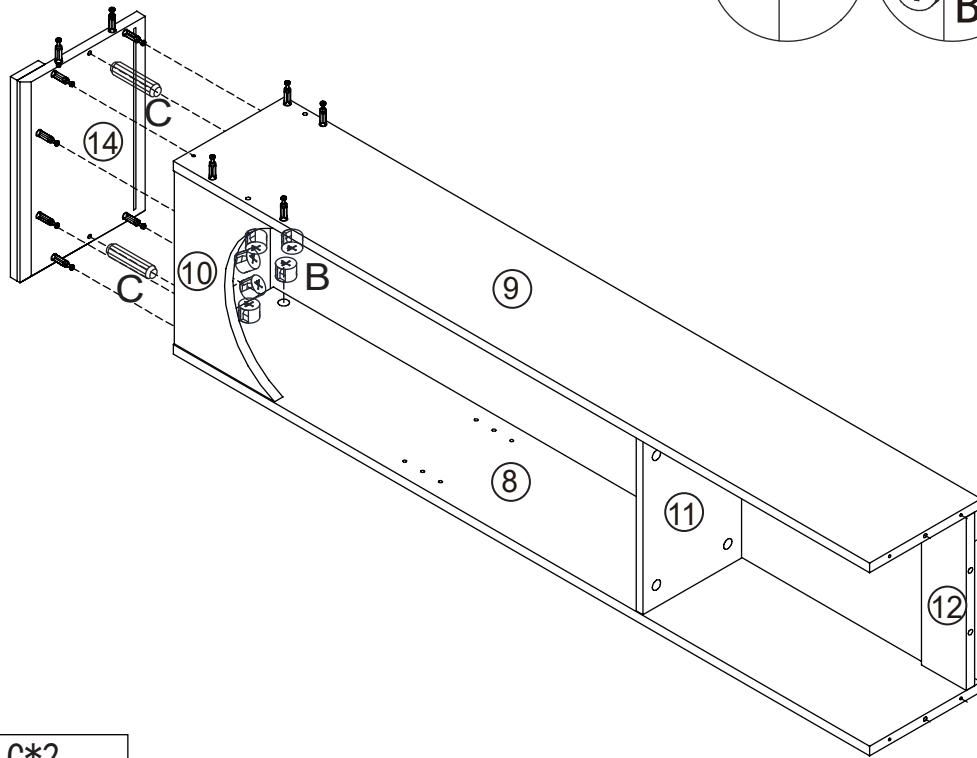
B*6



Step 10

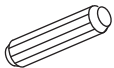


Step 11

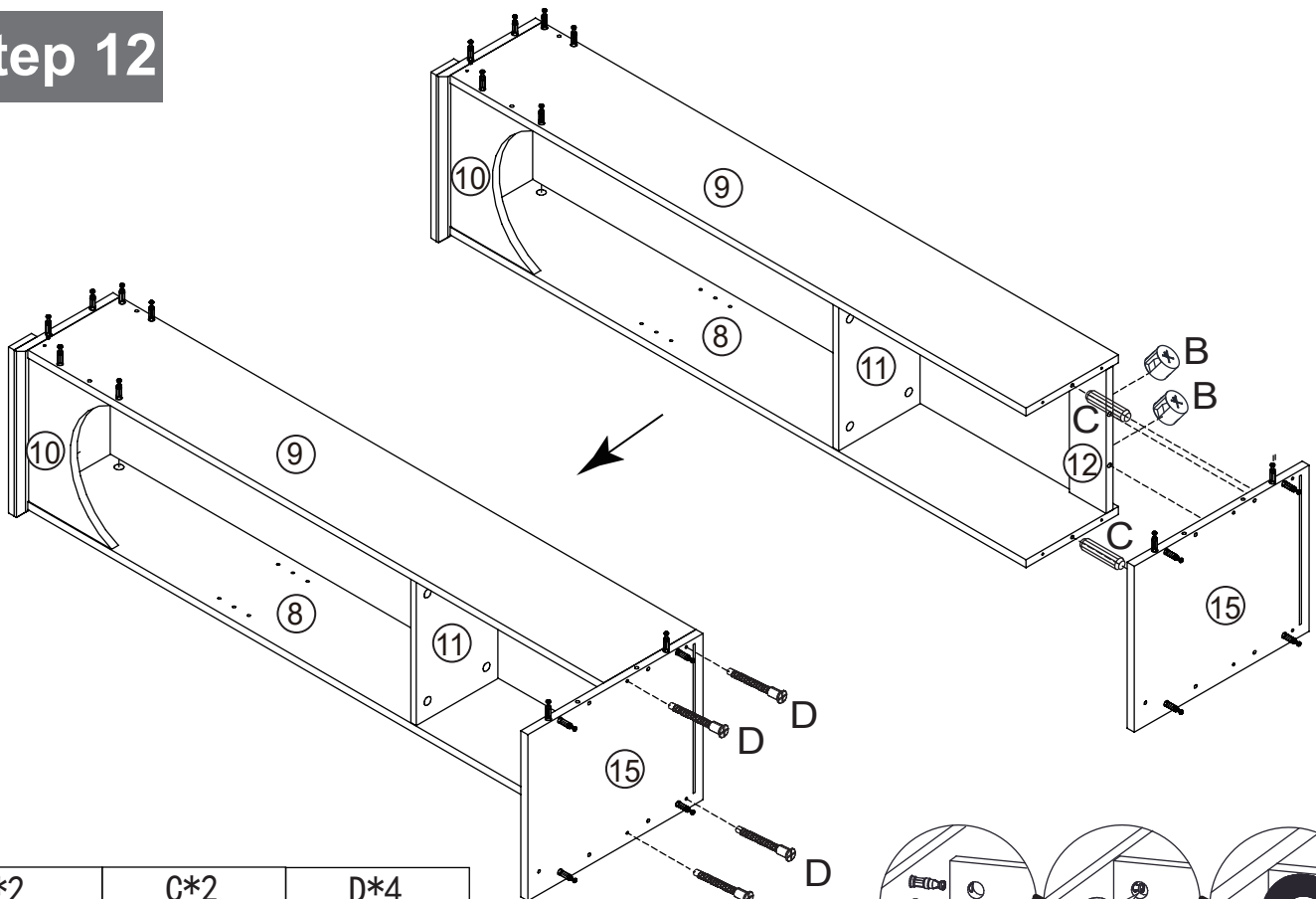


B*6

C*2



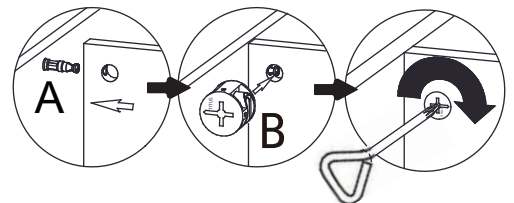
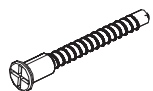
Step 12



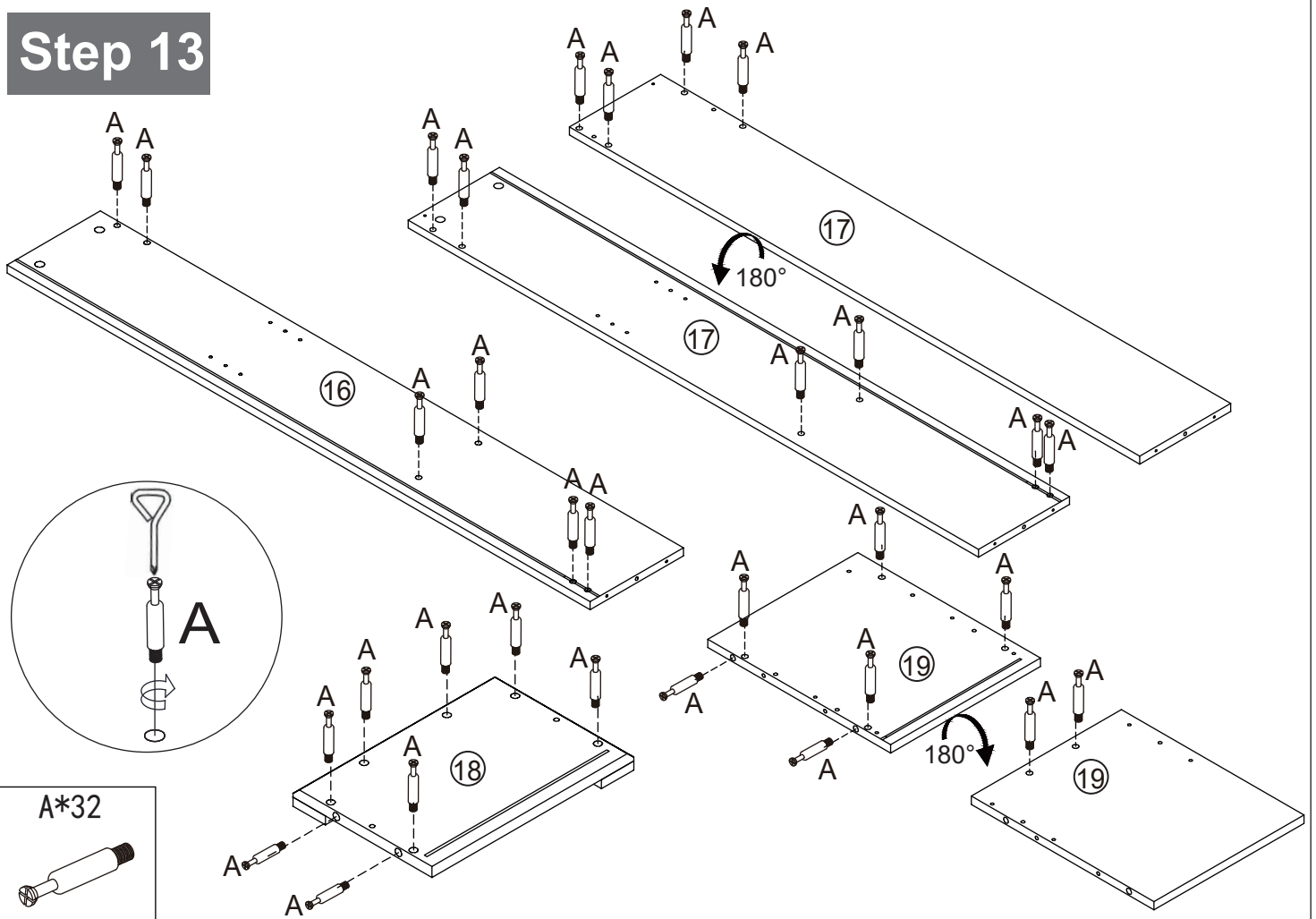
B*2

C*2

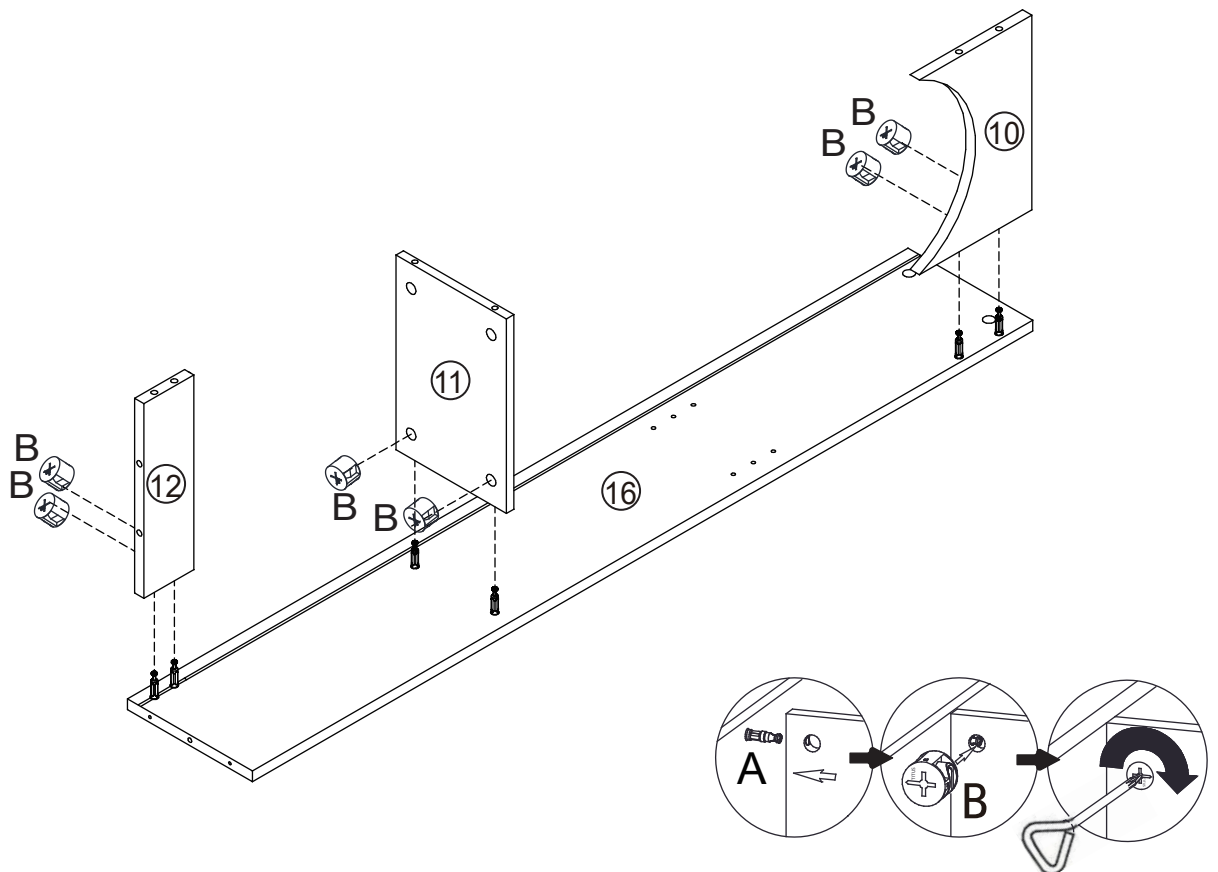
D*4



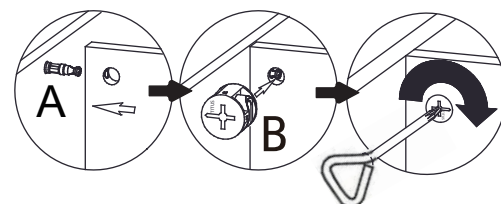
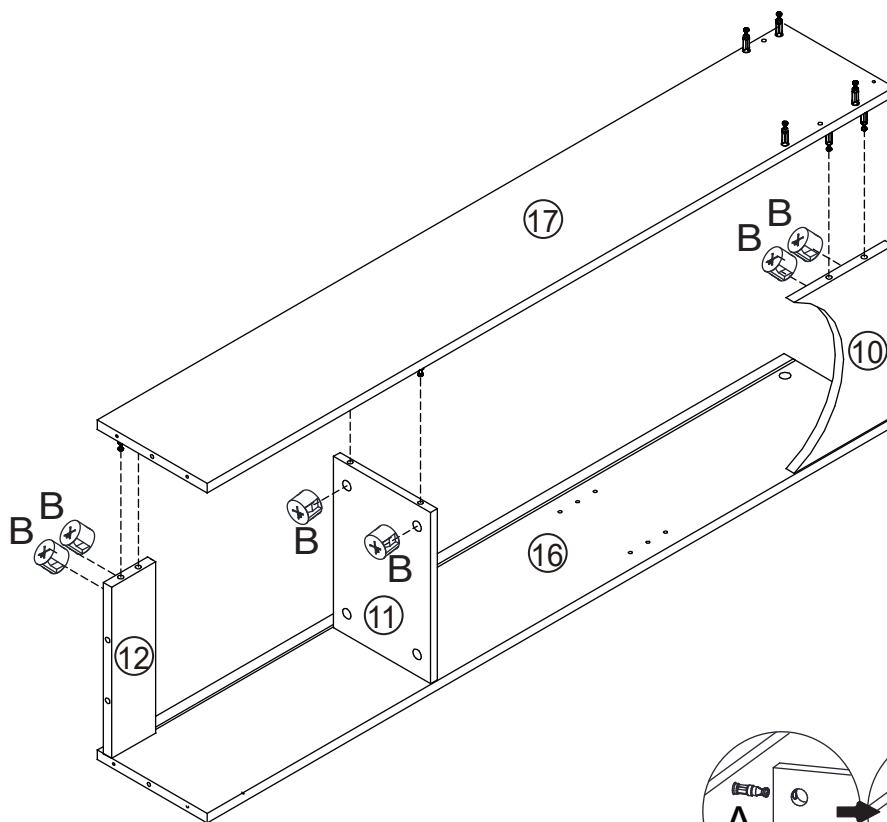
Step 13



Step 14



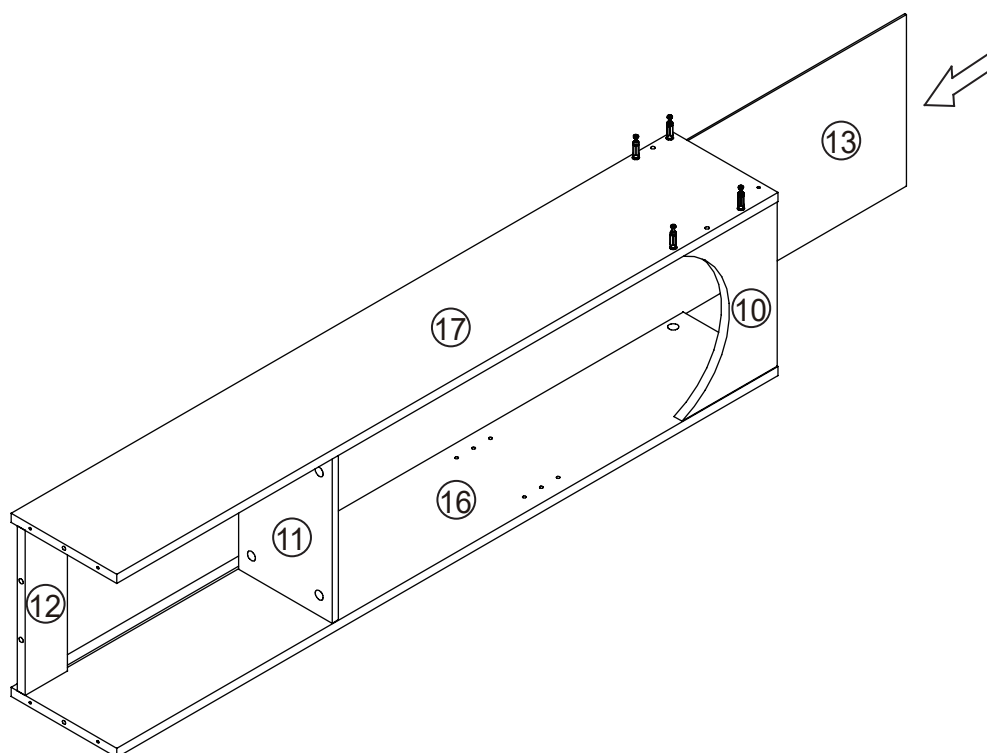
Step 15



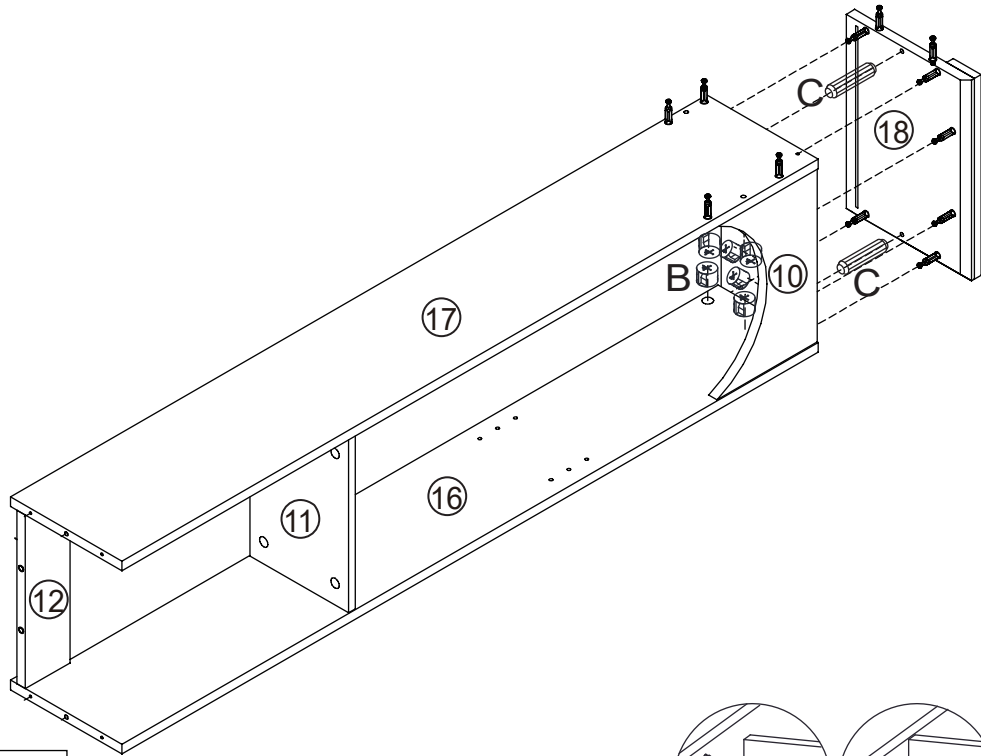
B*6



Step 16

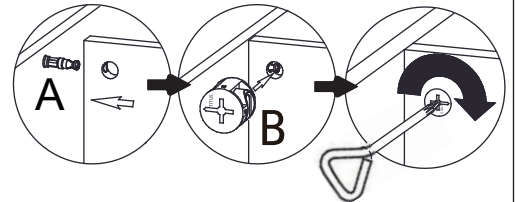
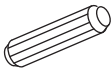


Step 17

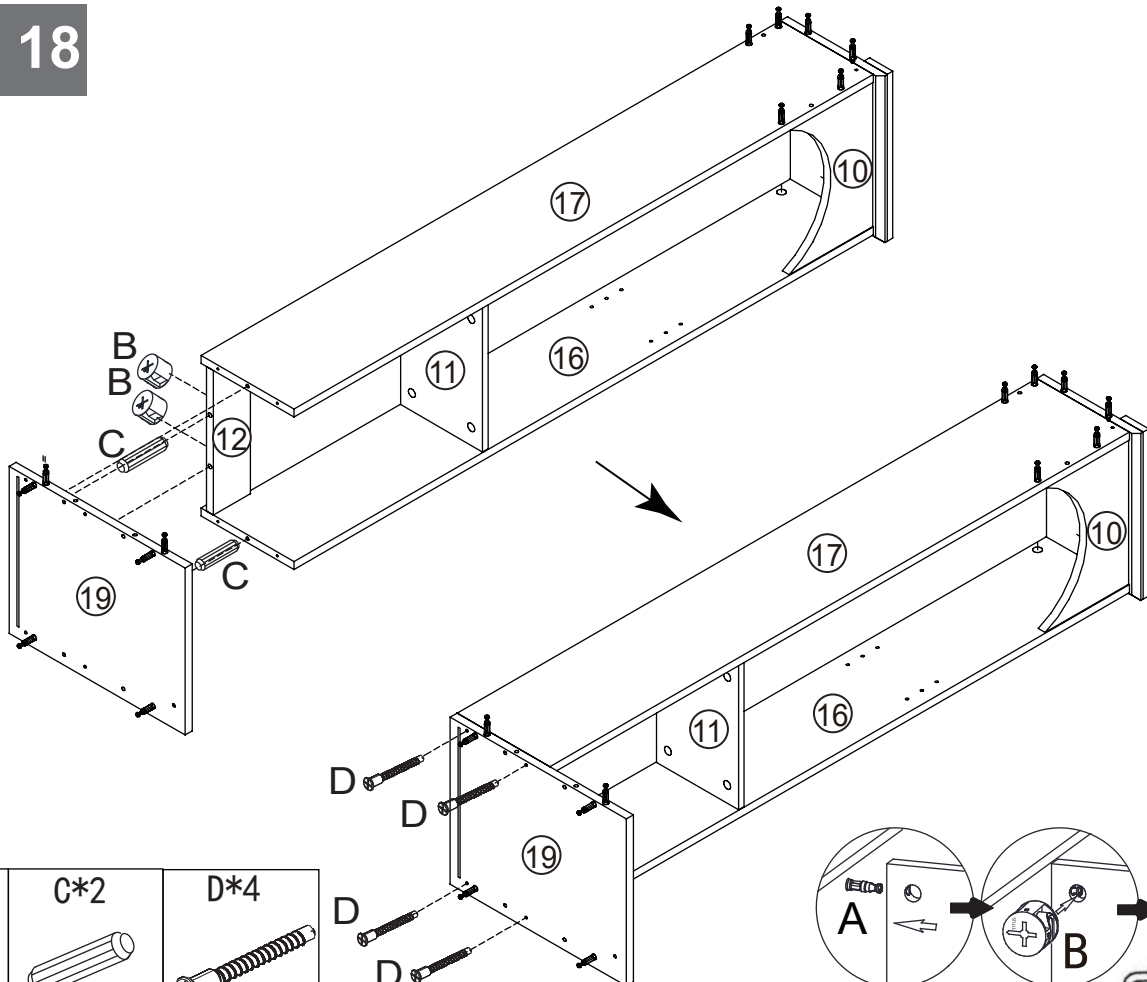


B*6

C*2



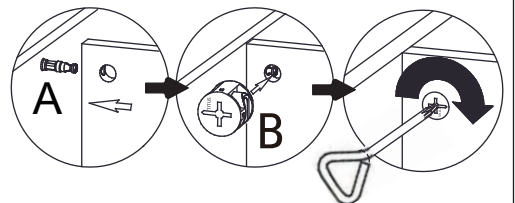
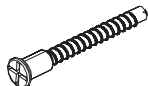
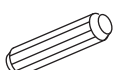
Step 18



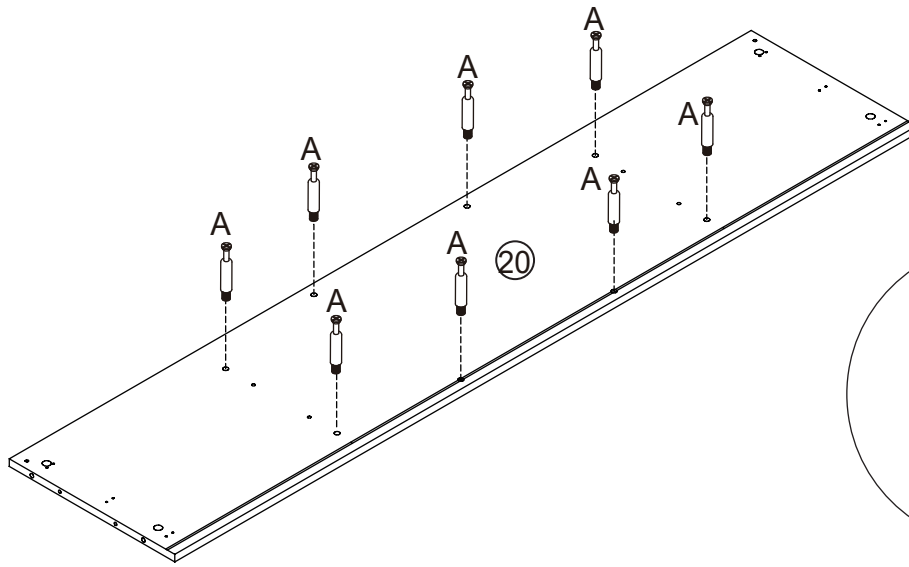
B*2

C*2

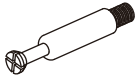
D*4



Step 19

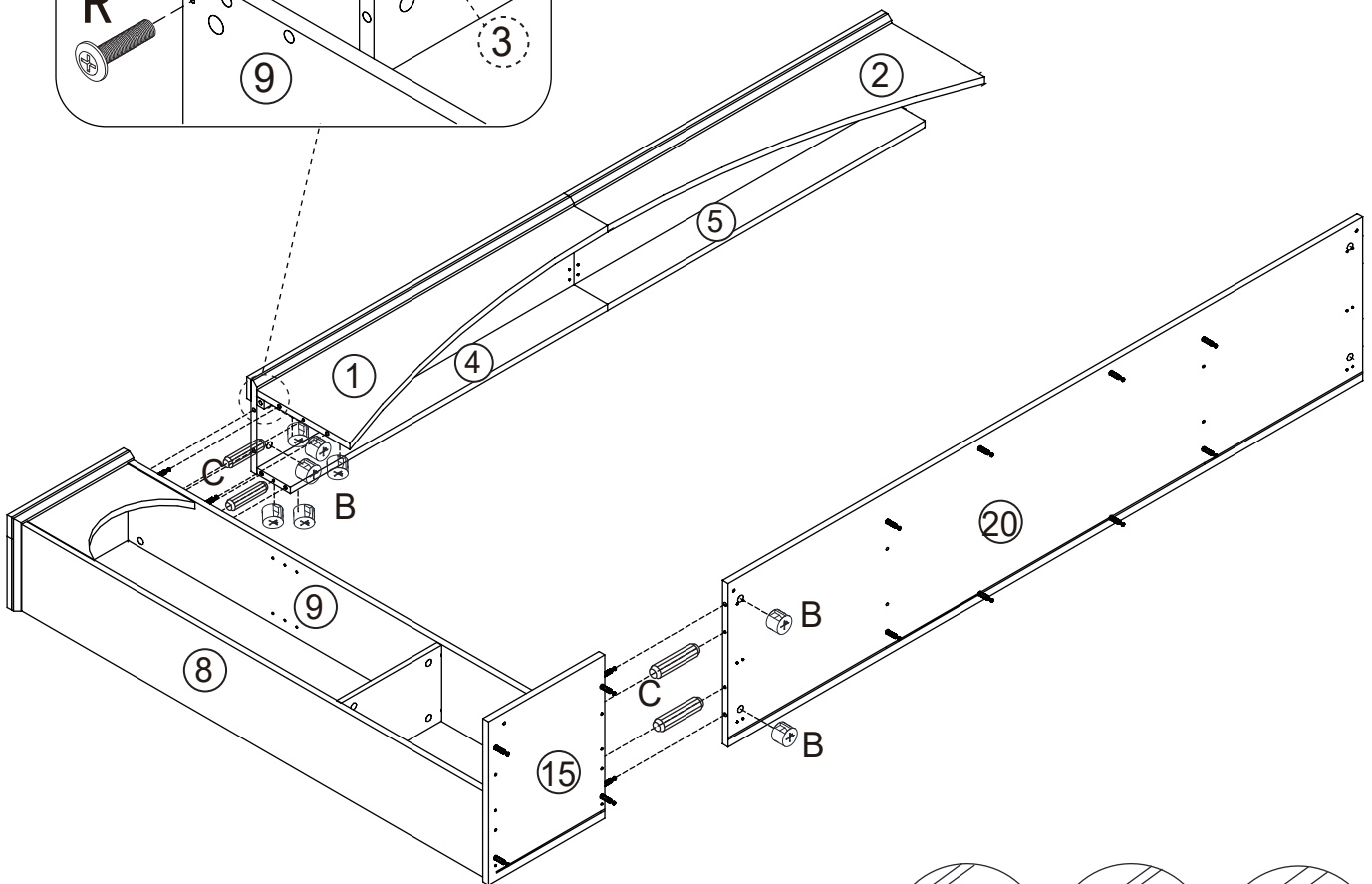
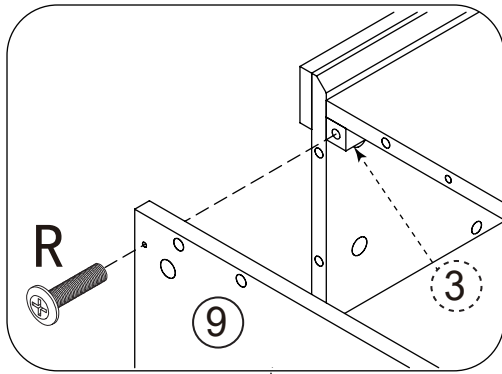


A*8



Step 20

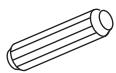
connecting iron sheet ("F") is located on the back of components ④ and ⑤, so assemble the furniture on empty cardboard boxes, carpets, or small mats to prevent floor scratches or damage.



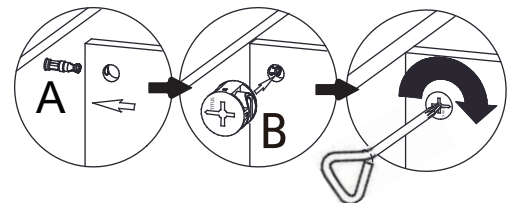
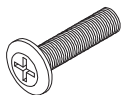
B*8



C*4

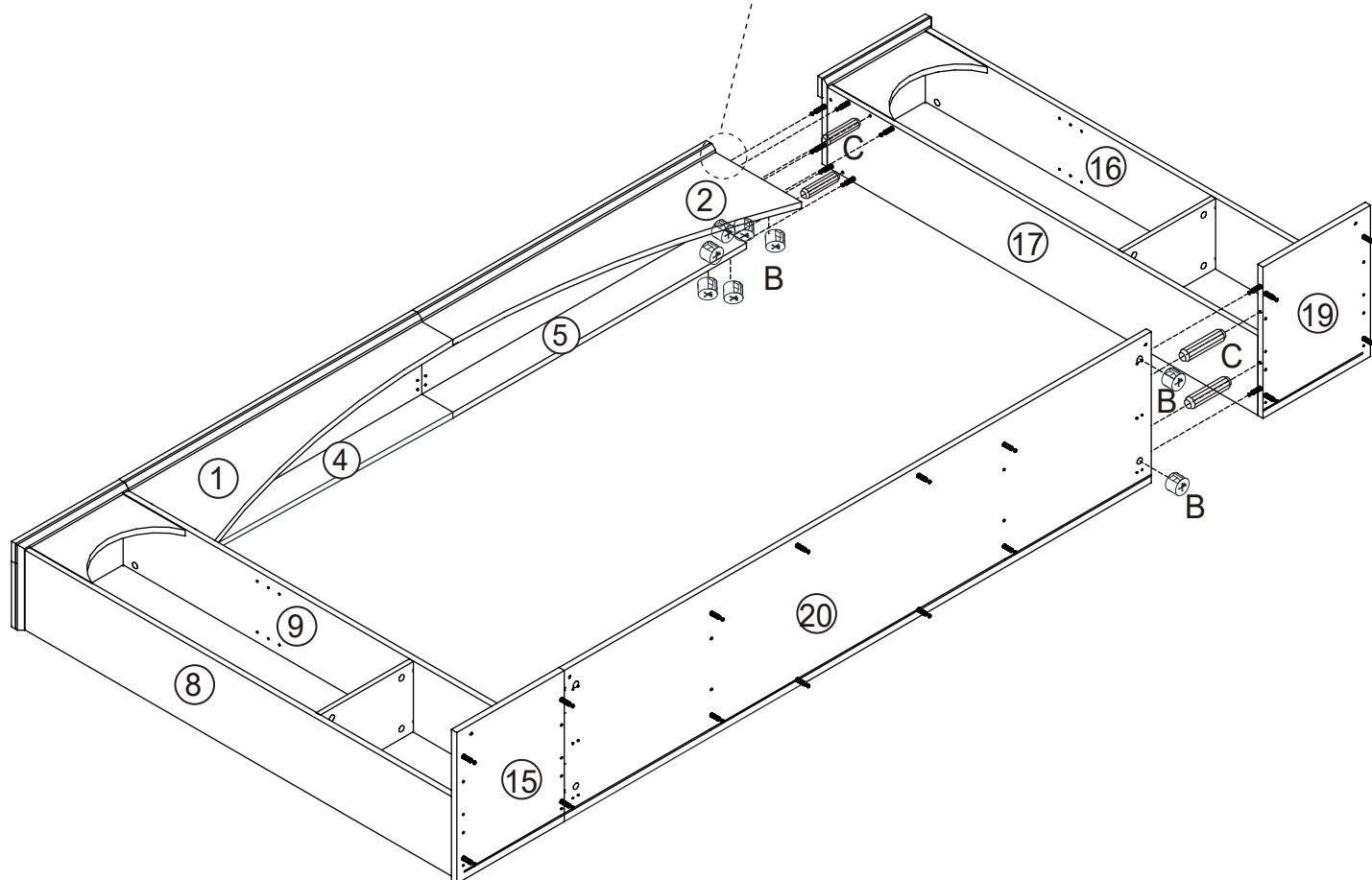
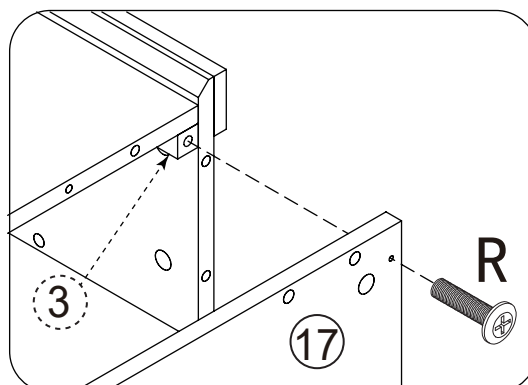


R*1



Step 21

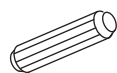
connecting iron sheet ("F") is located on the back of components ④ and ⑤, so assemble the furniture on empty cardboard boxes, carpets, or small mats to prevent floor scratches or damage.



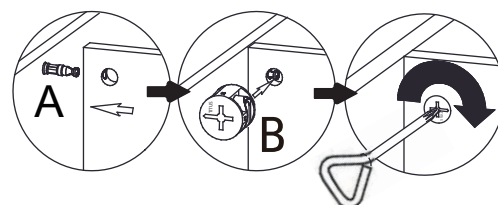
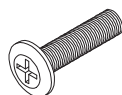
B*8



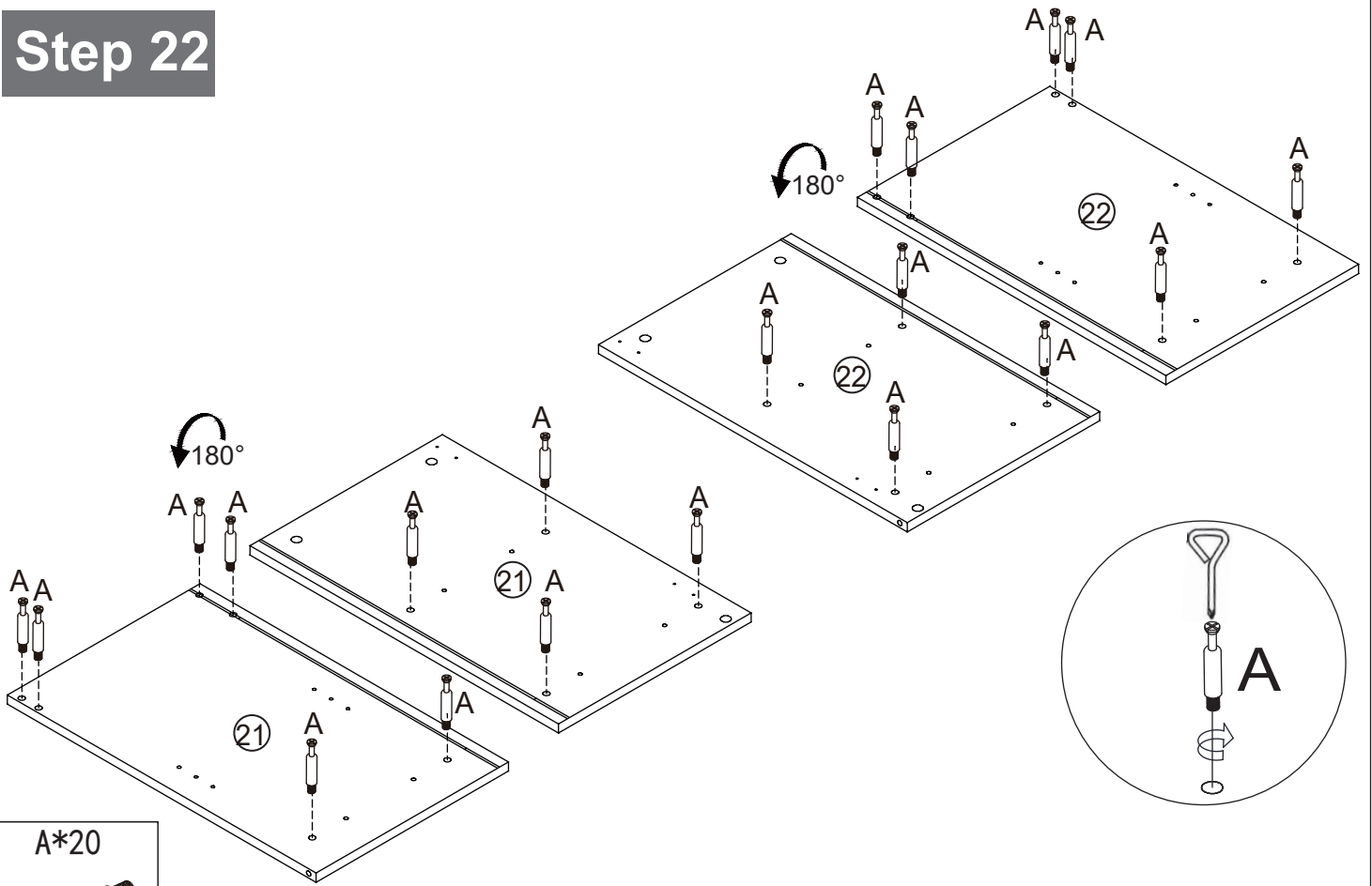
C*4



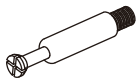
R*1



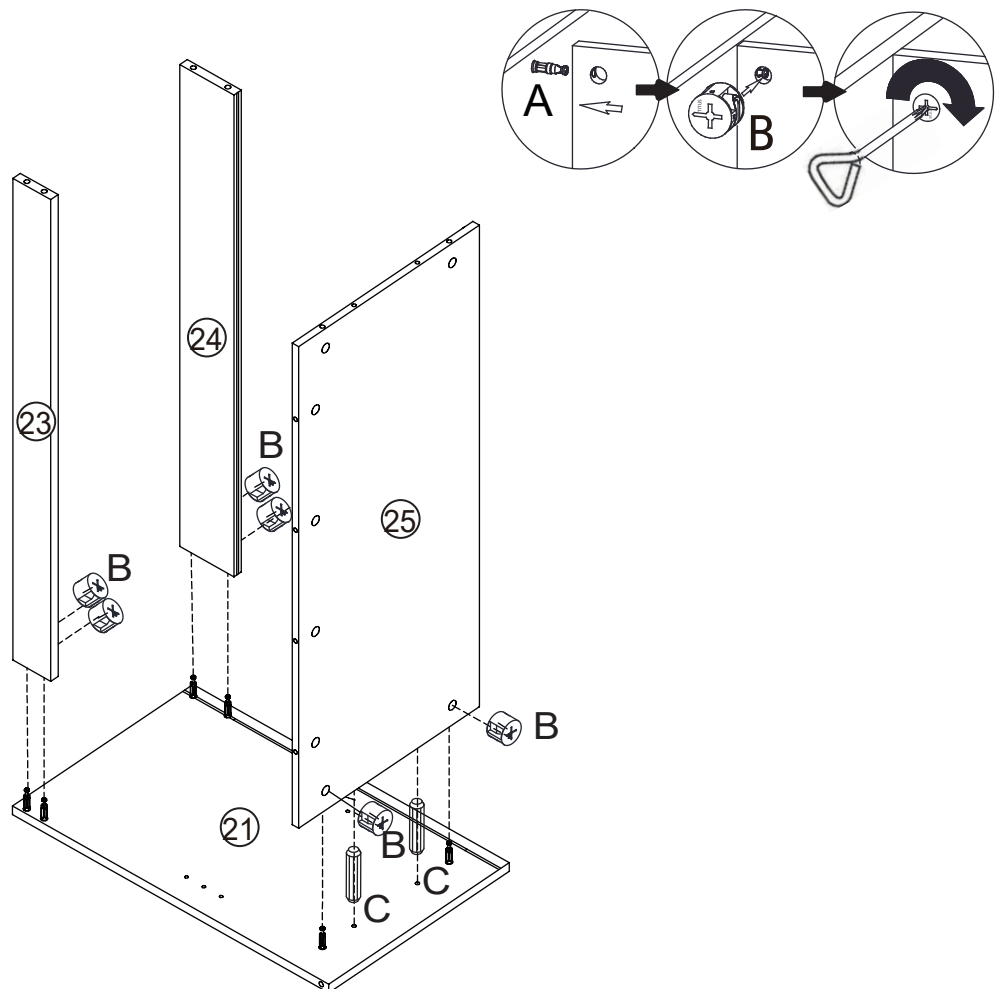
Step 22



A*20



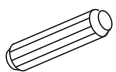
Step 23



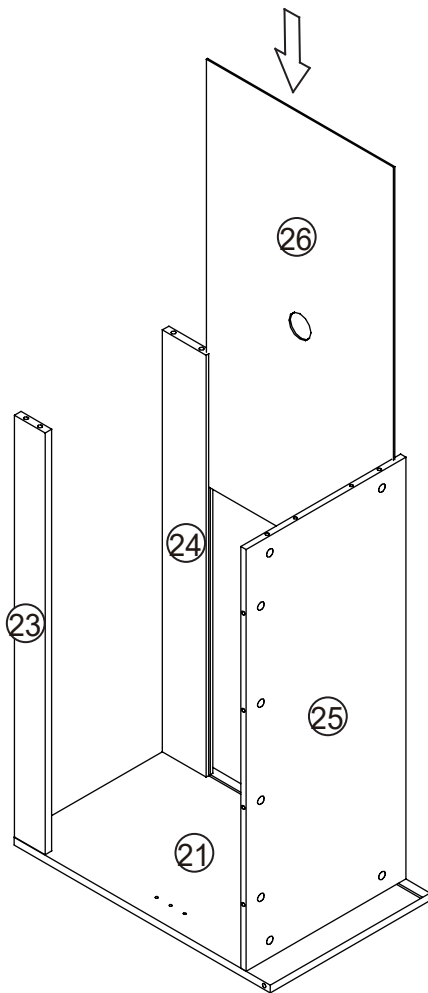
B*6



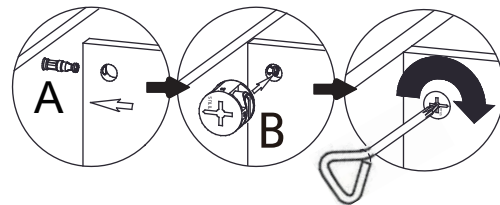
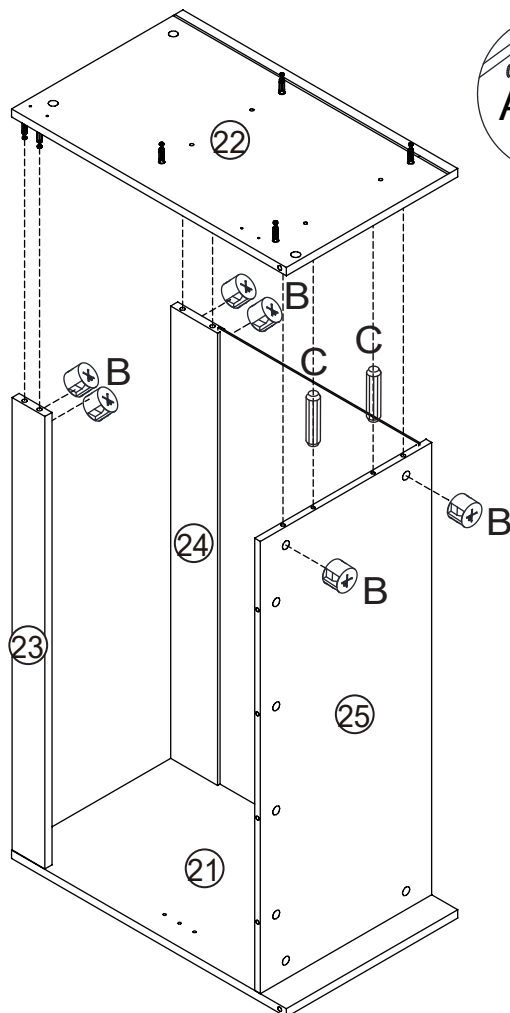
C*2



Step 24

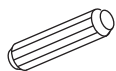


Step 25



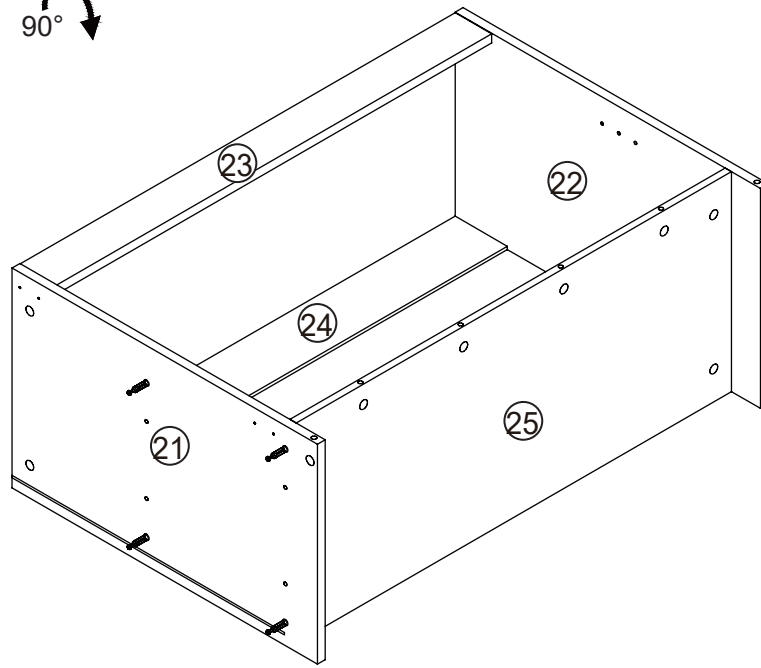
B*6

C*2

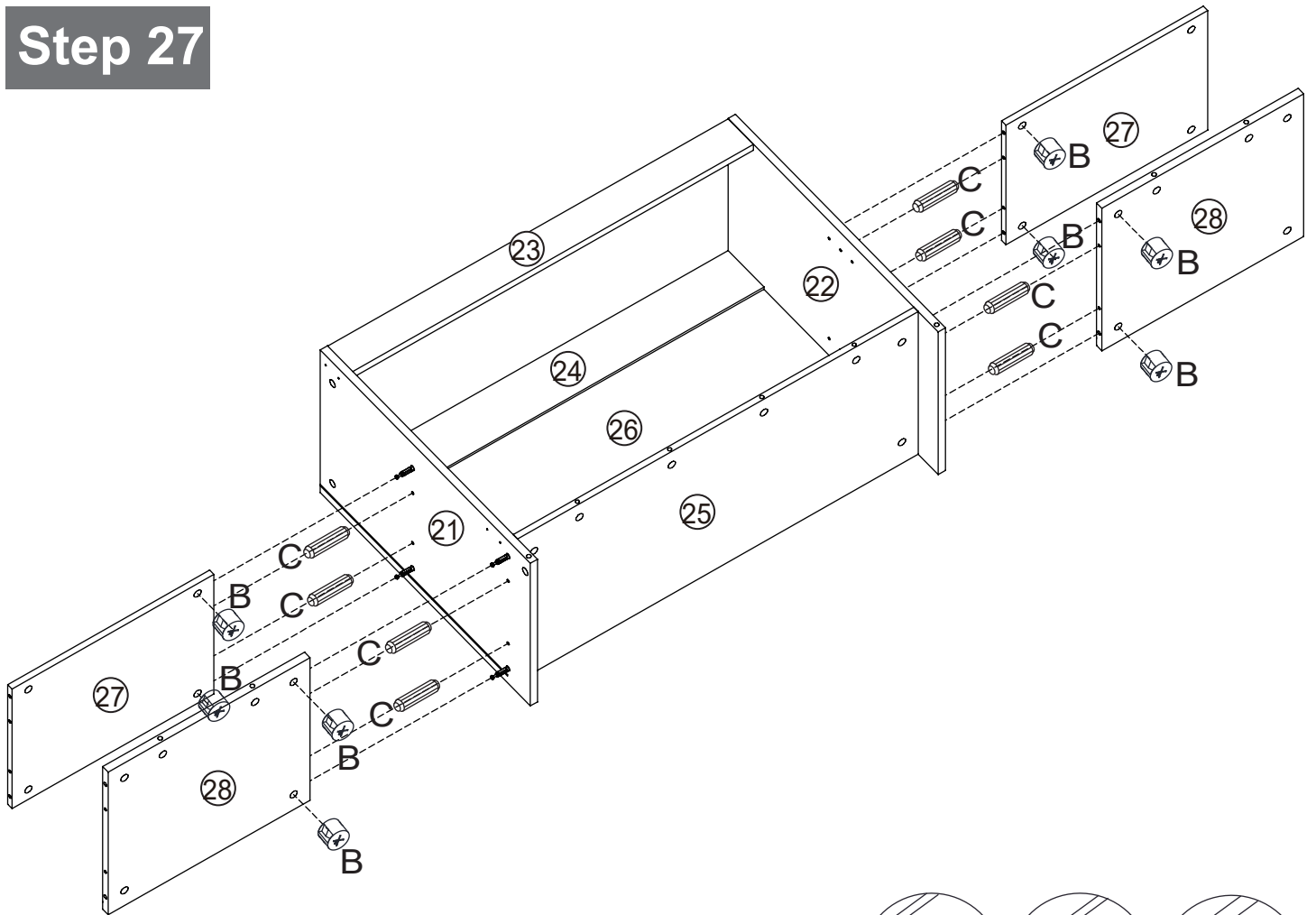


Step 26

It's better if two people work together on this step.
Please flip carefully!



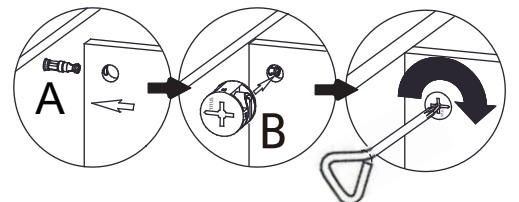
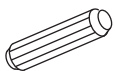
Step 27



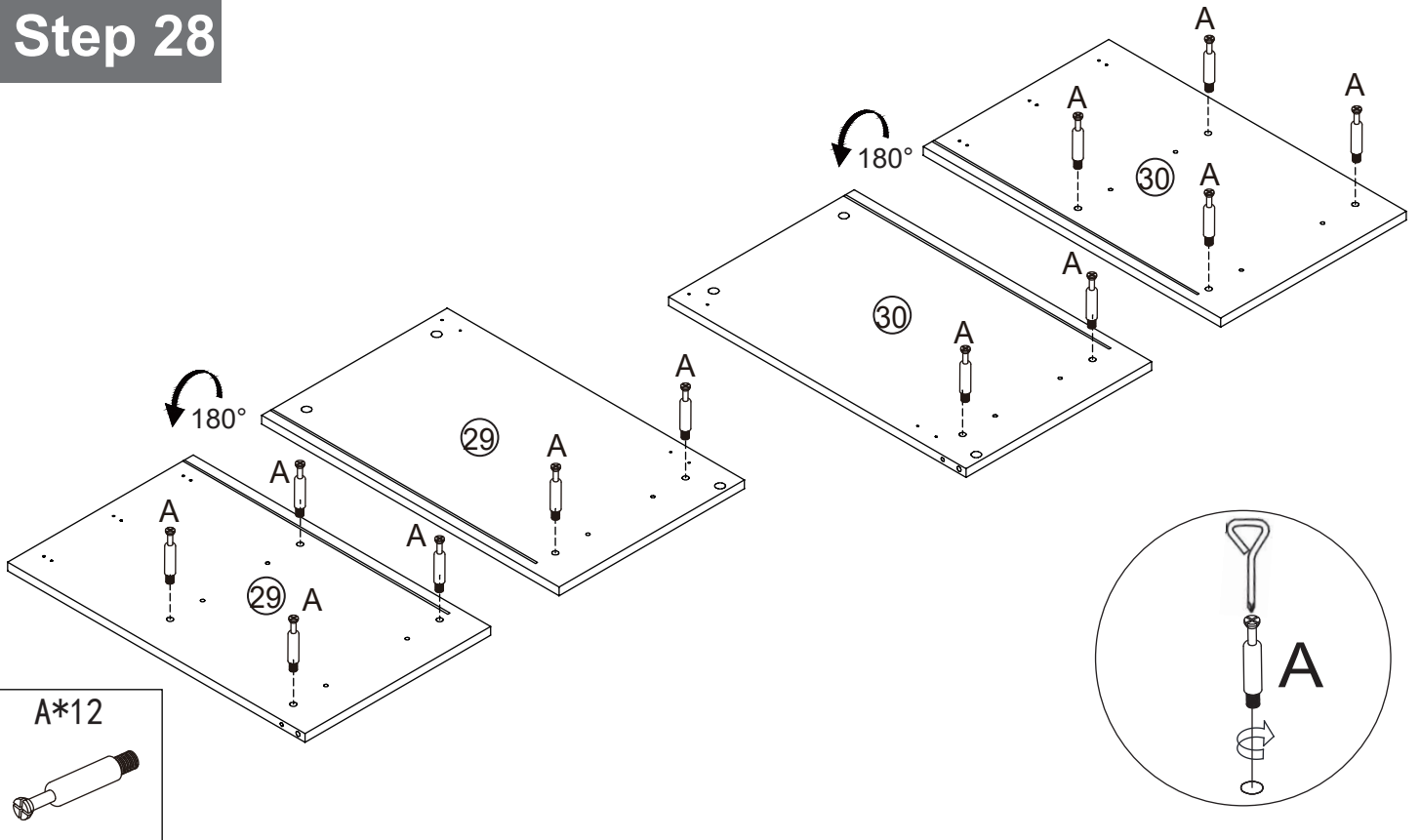
B*8



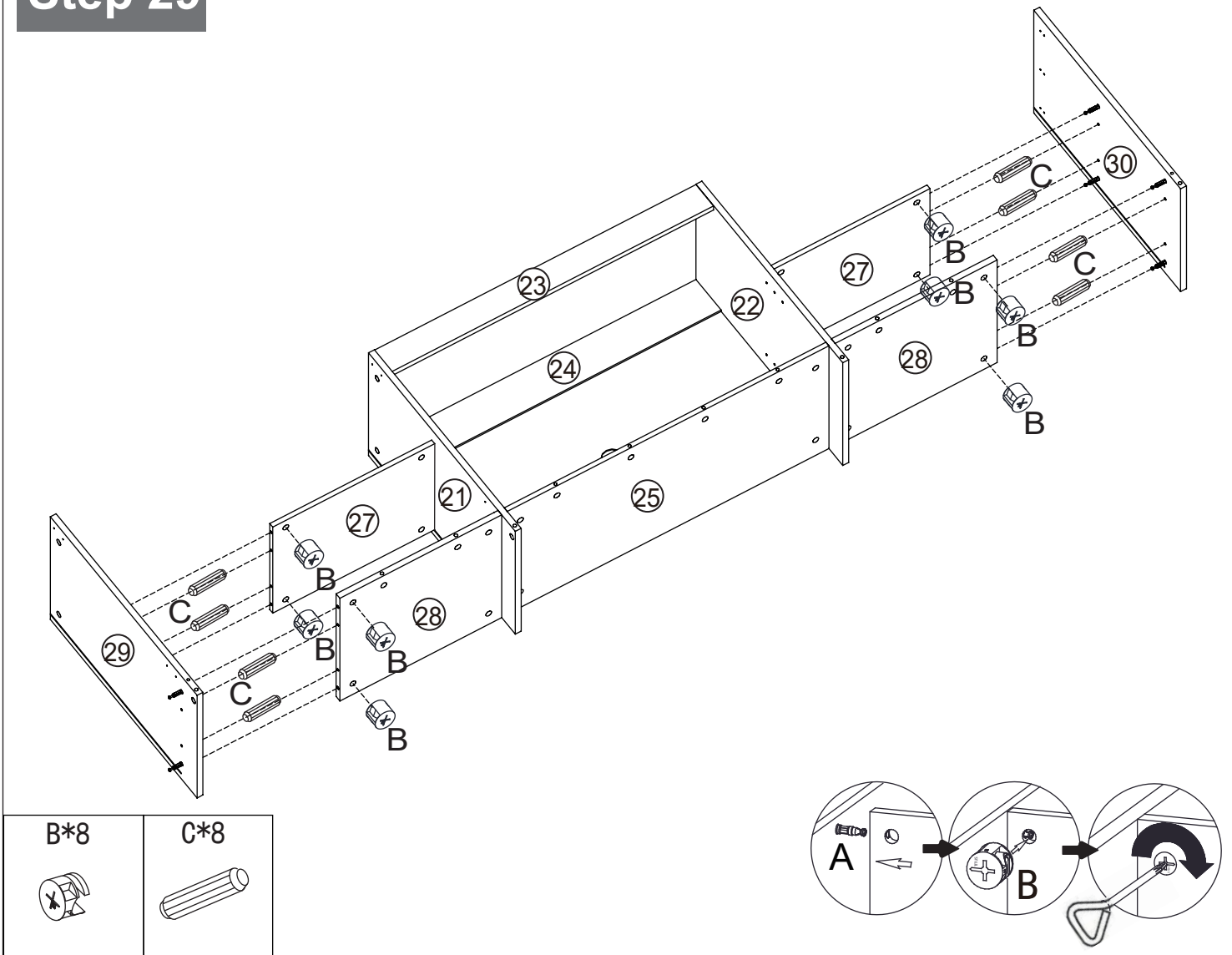
C*8



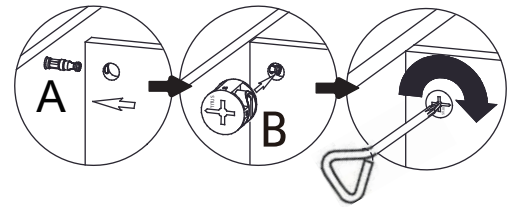
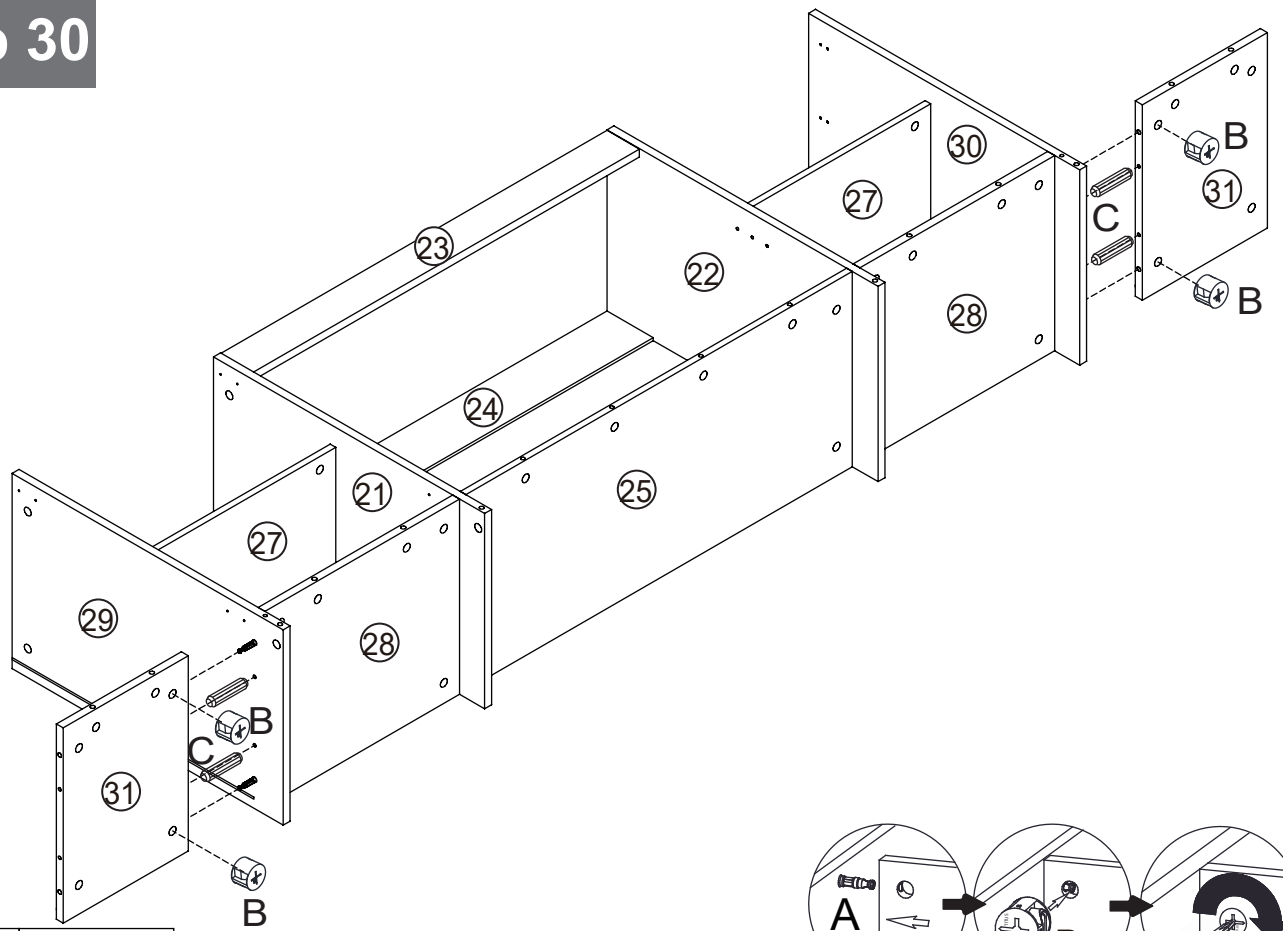
Step 28



Step 29



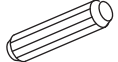
Step 30



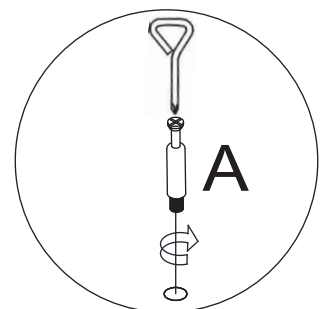
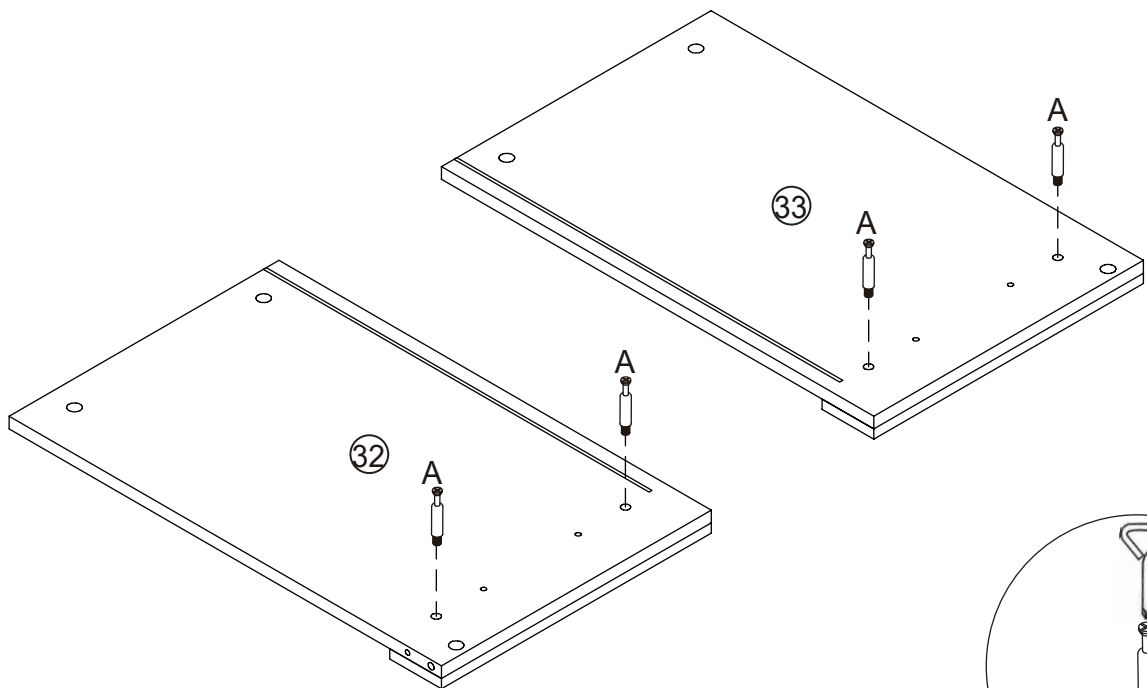
B*4



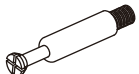
C*4



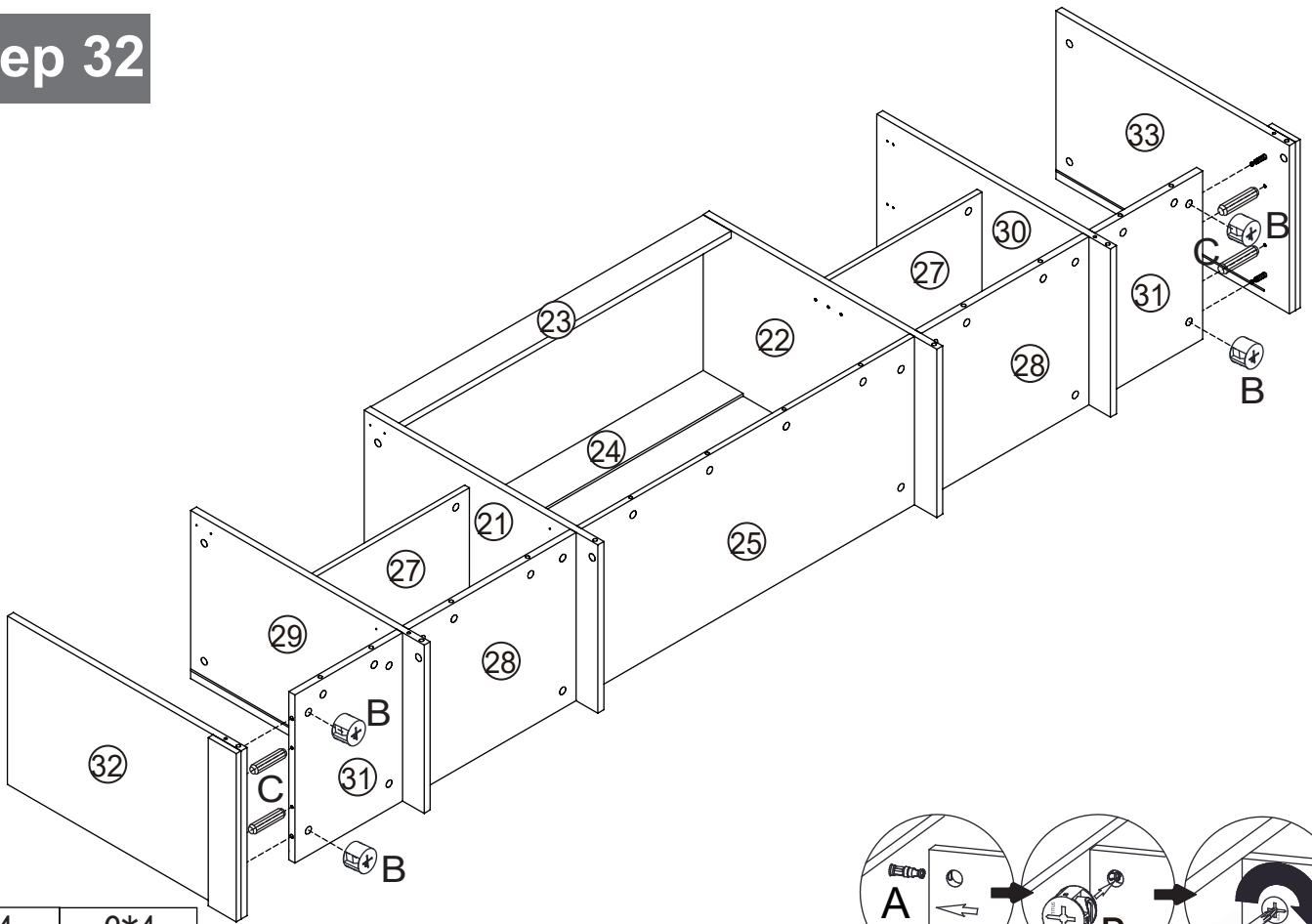
Step 31



A*4



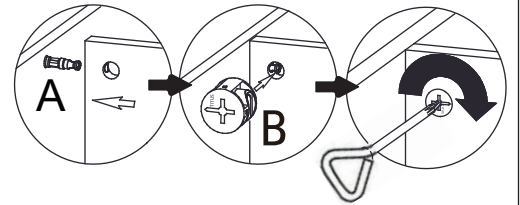
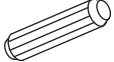
Step 32



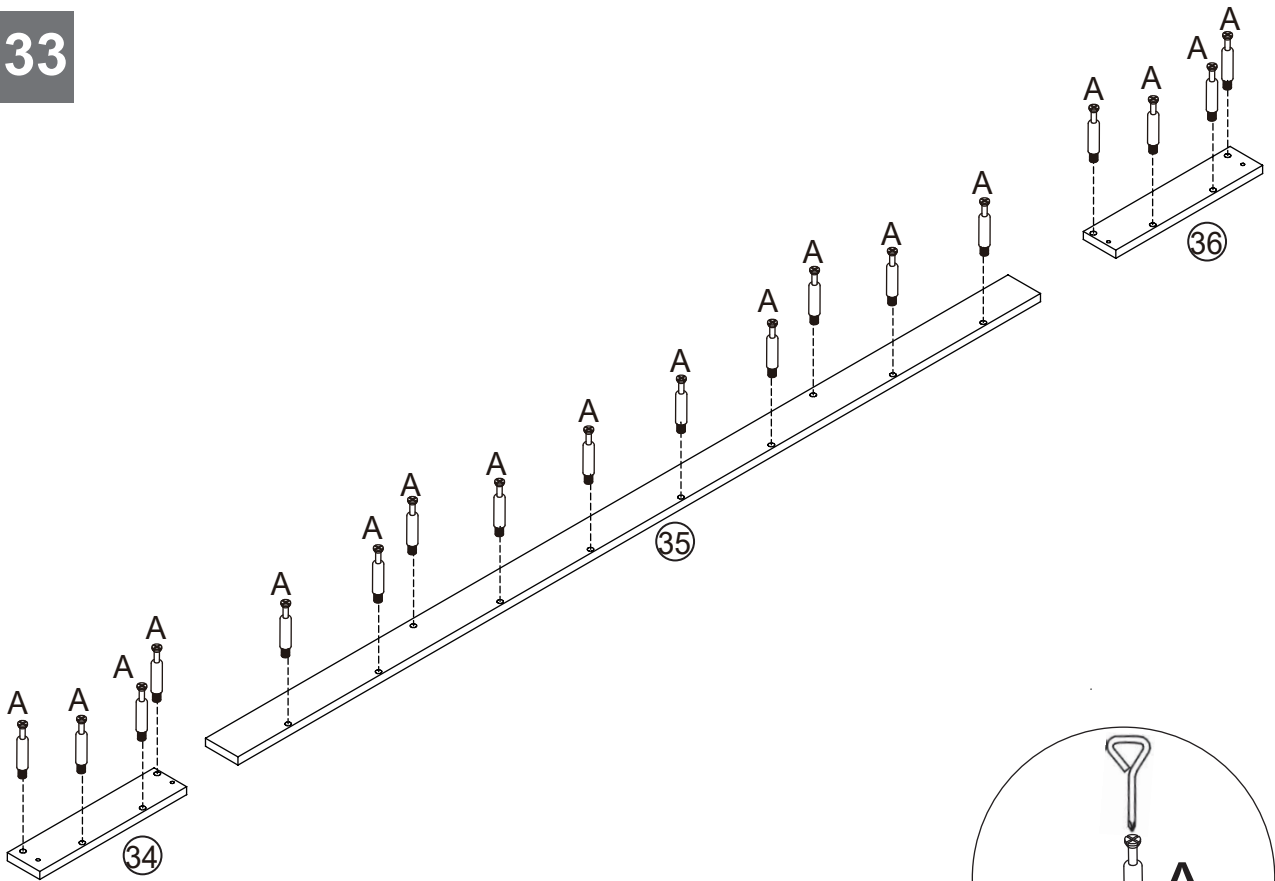
B*4



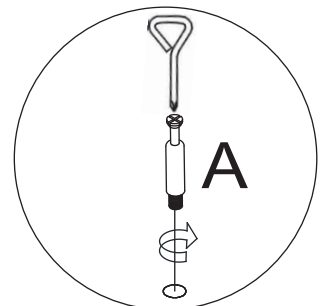
C*4



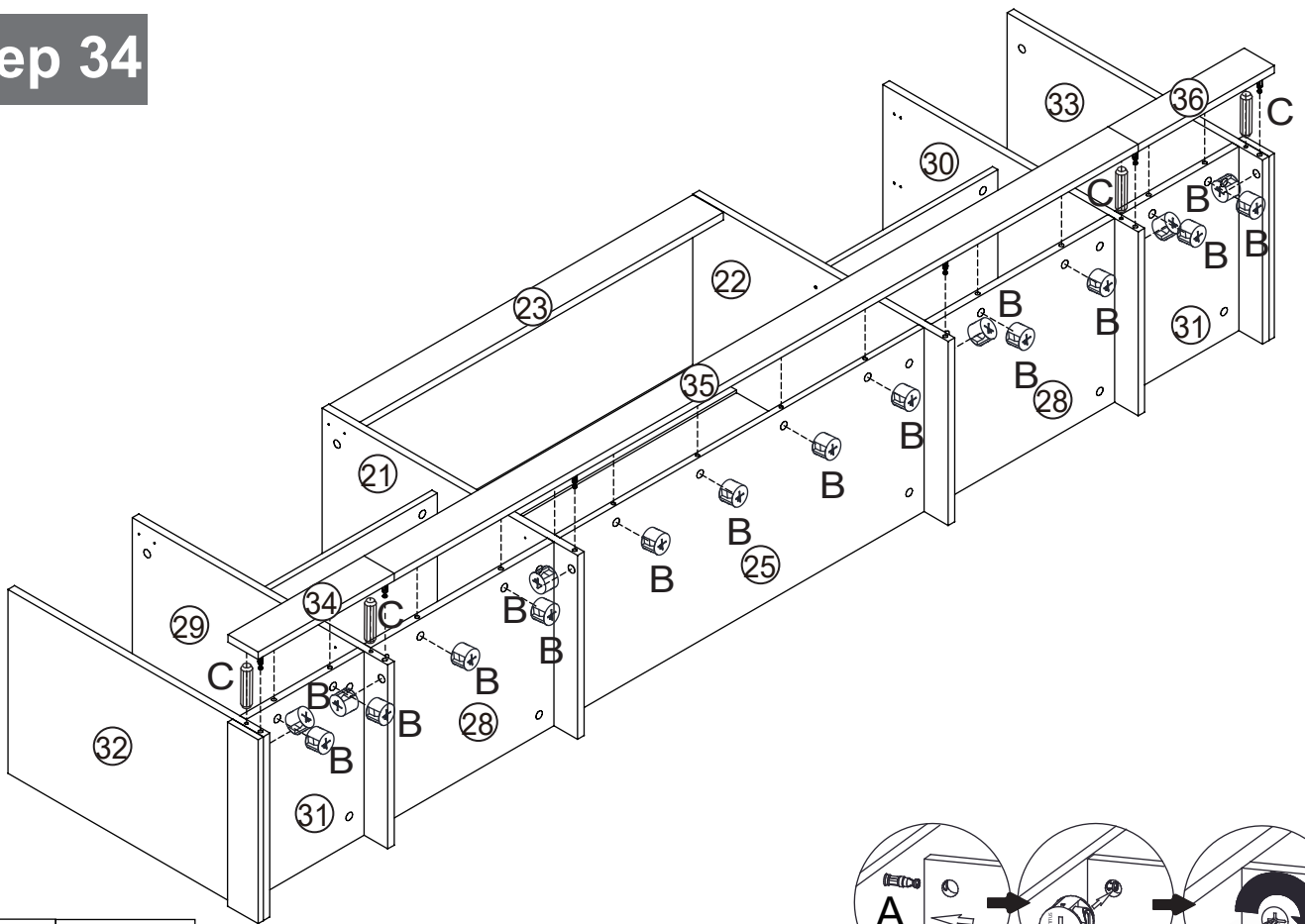
Step 33



A*18



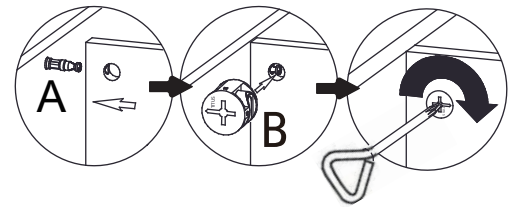
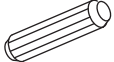
Step 34



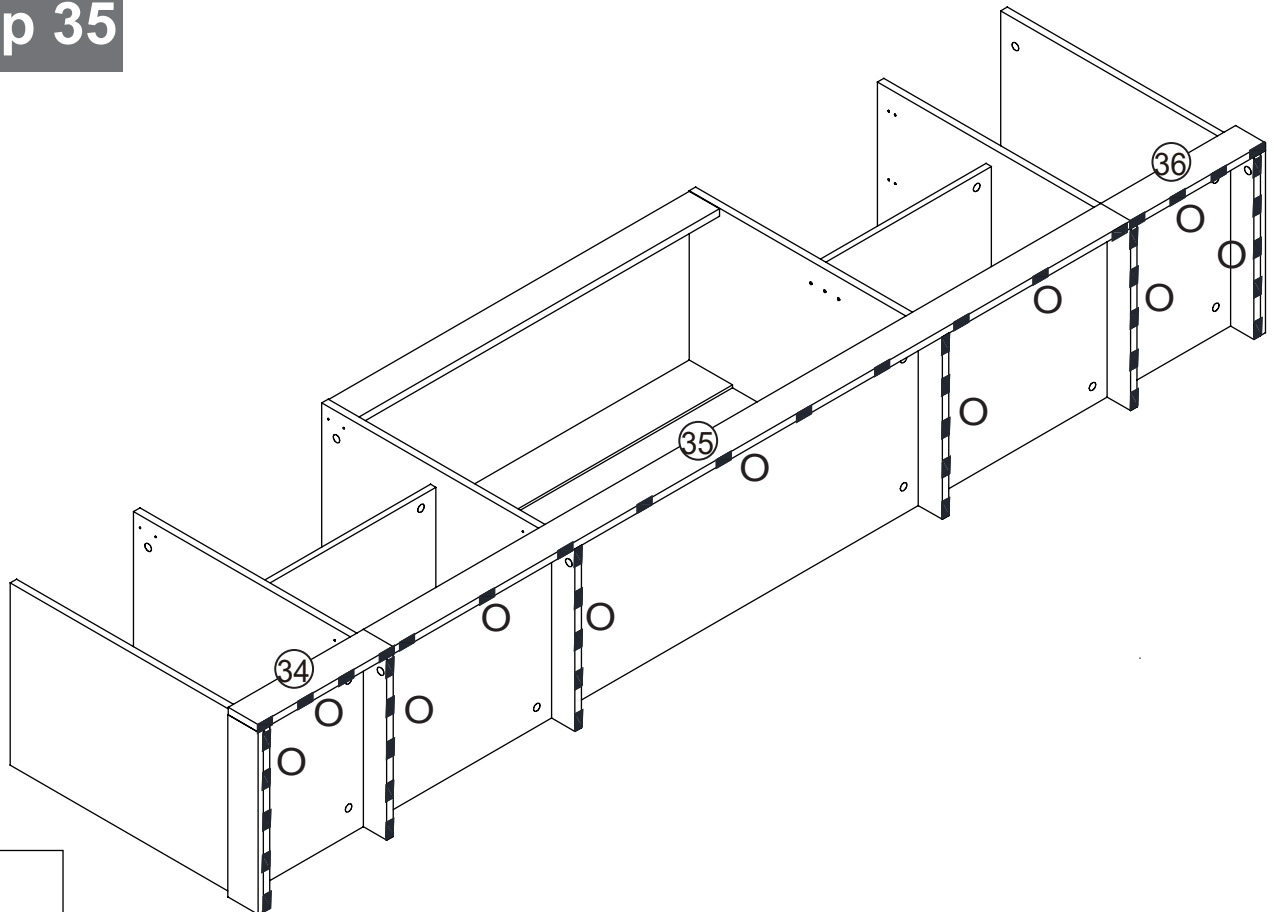
B*18



C*4



Step 35

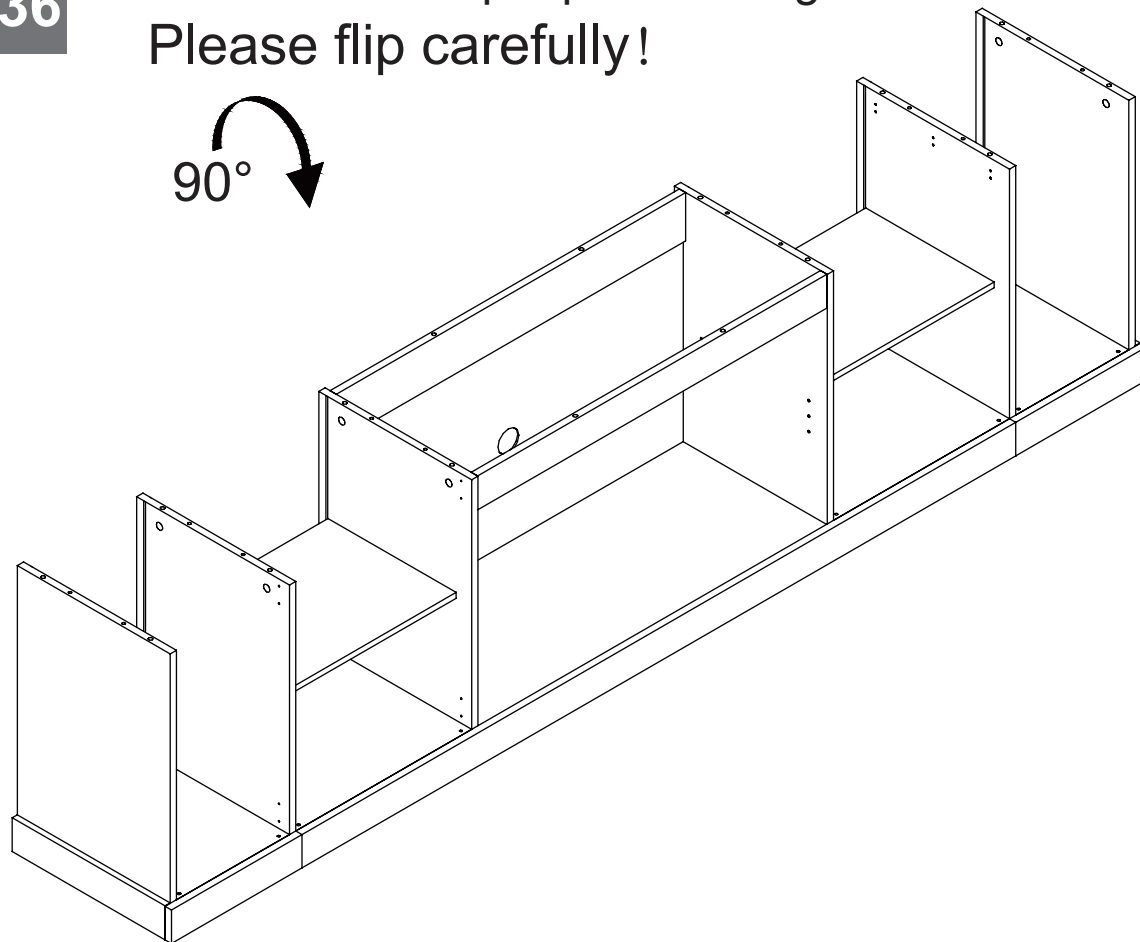


0*48

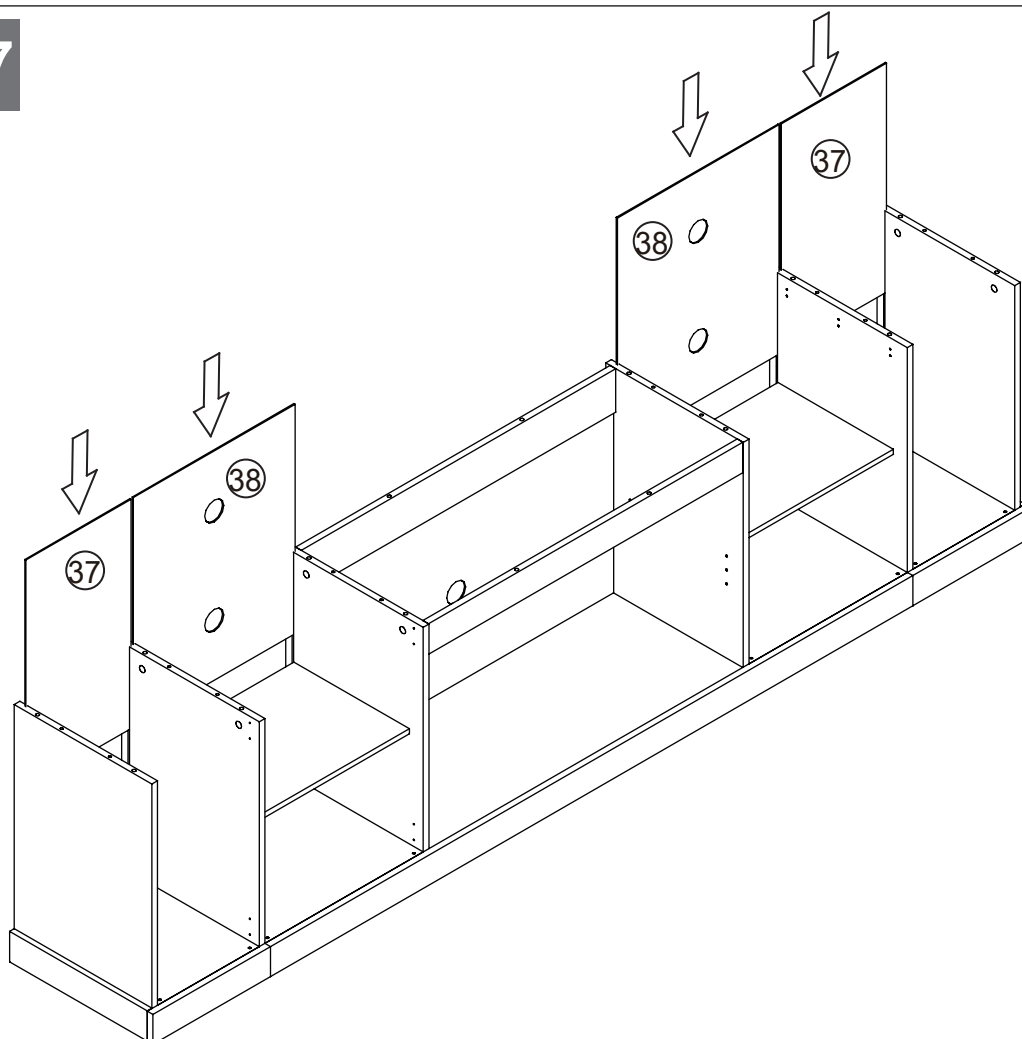


Step 36

It's better if two people work together on this step.
Please flip carefully!

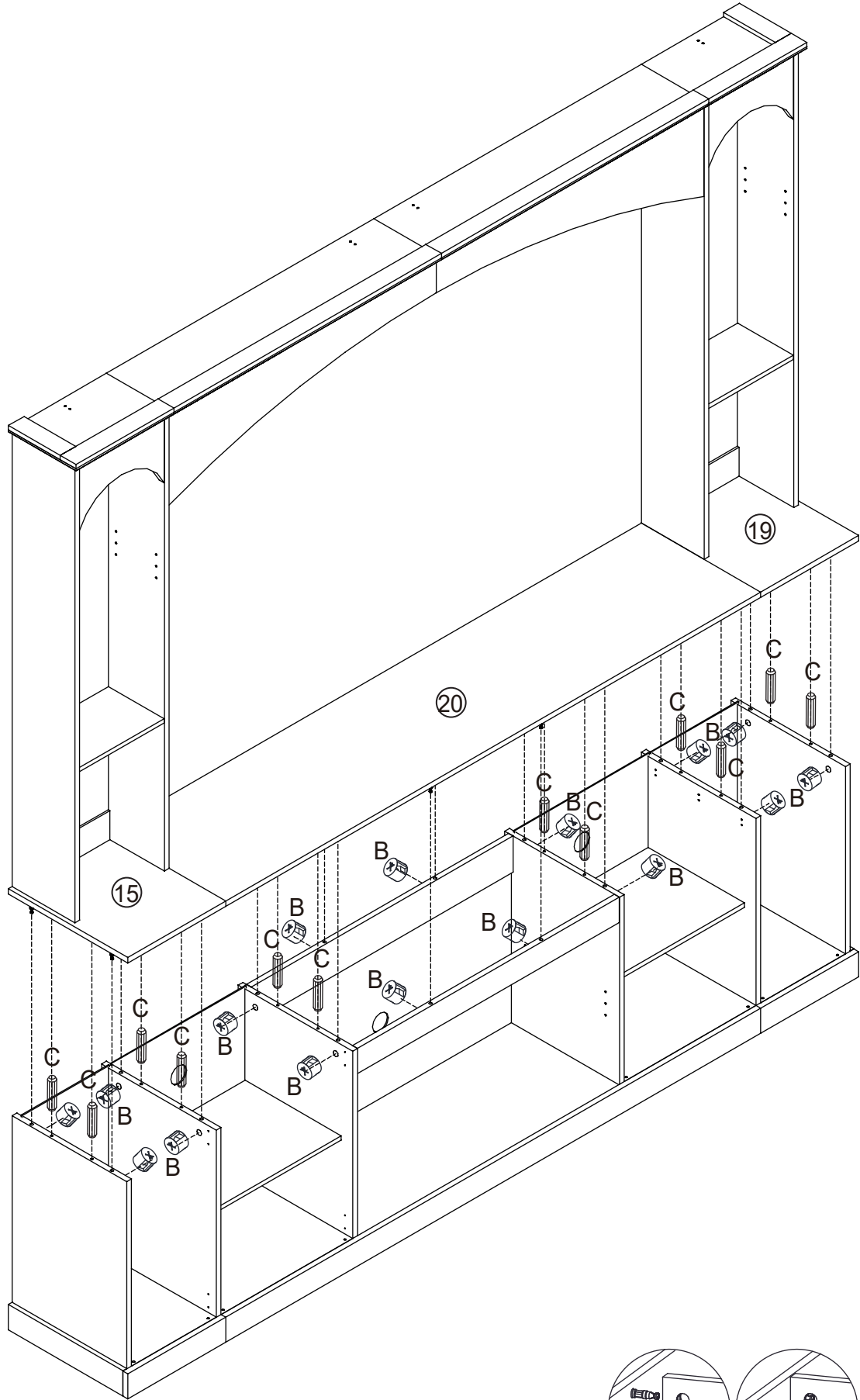


Step 37



Step 38

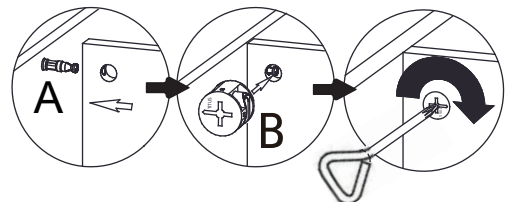
It's better if two people work together on this step.



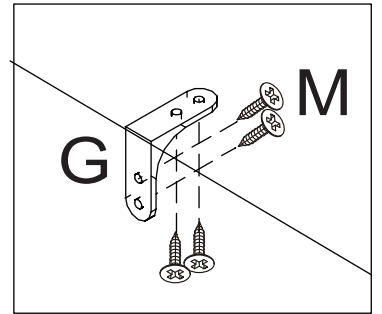
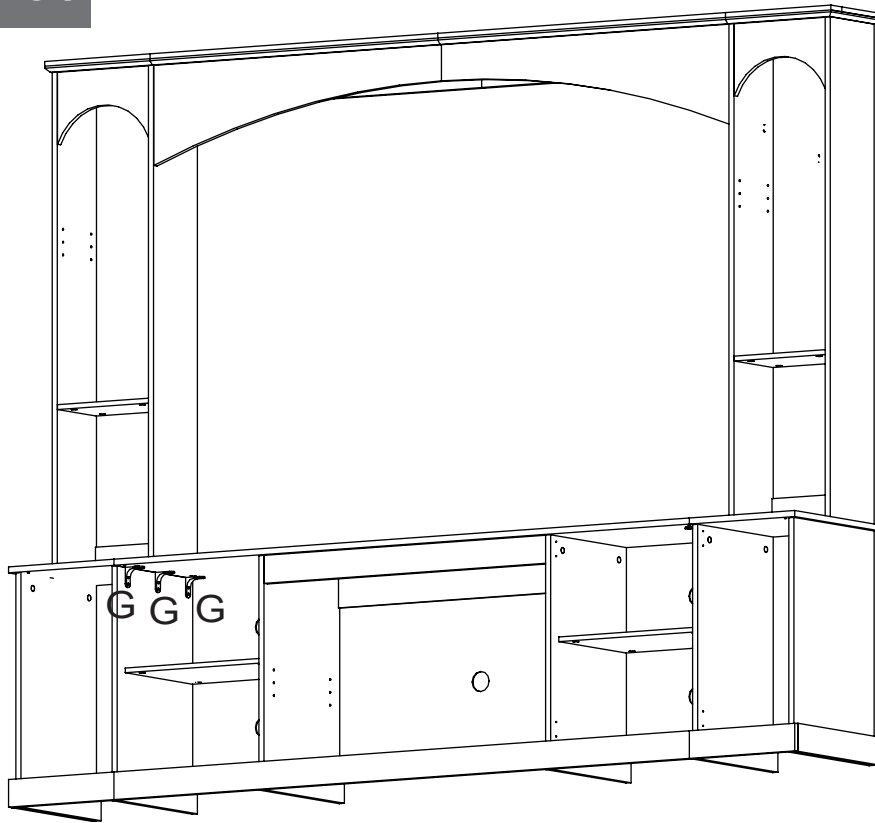
B*16



C*12



Step 39

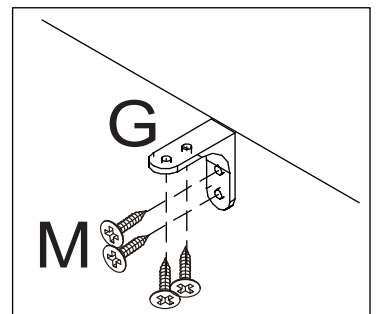
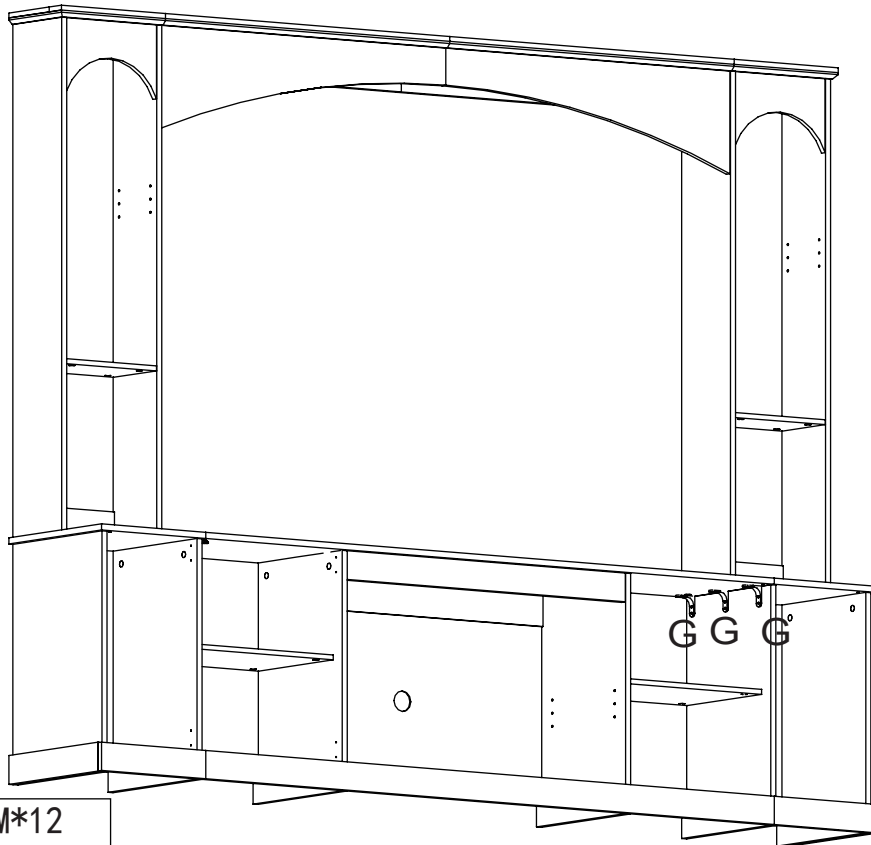


G*3

M*12



Step 40

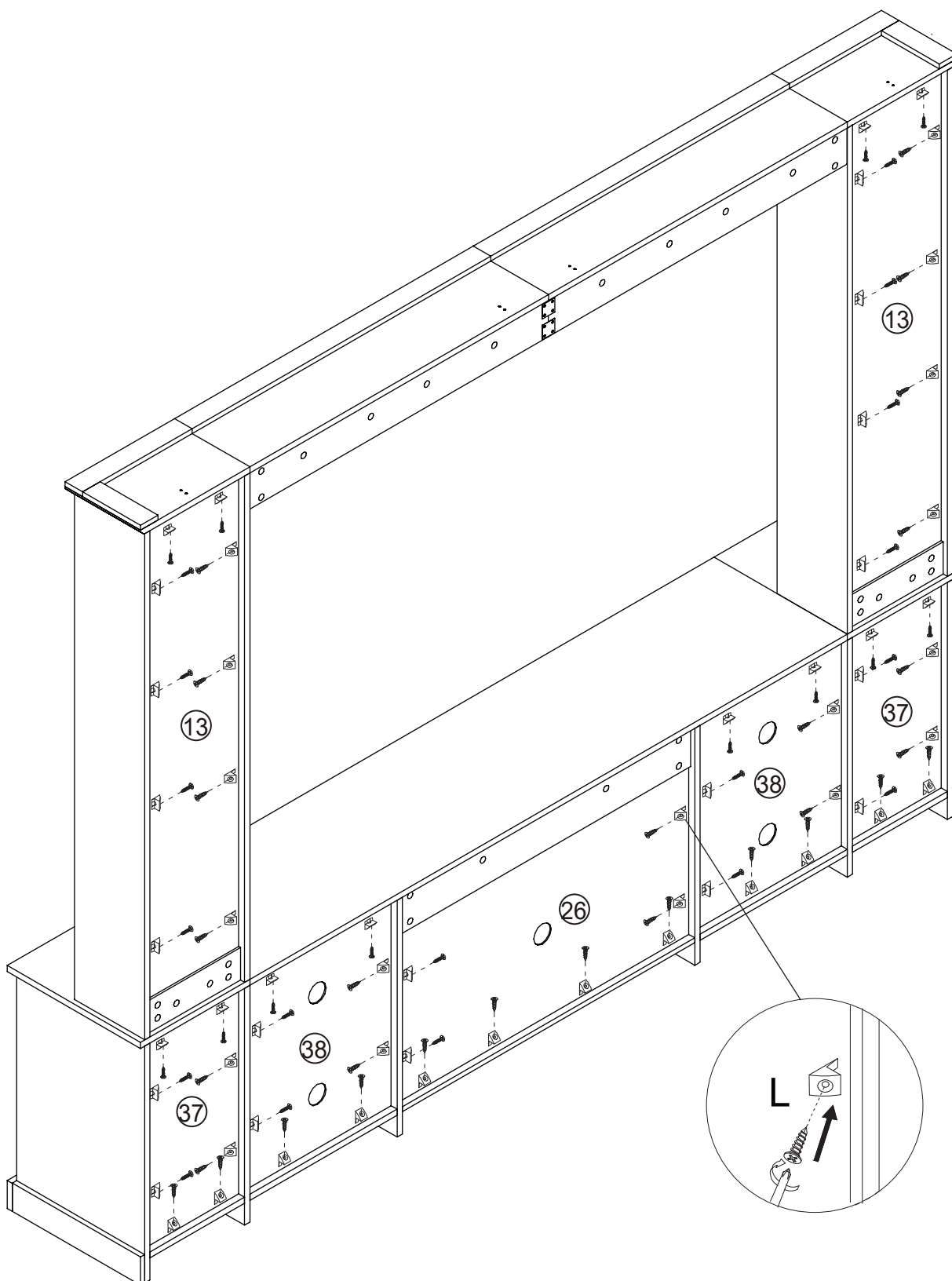


G*3

M*12



Step 41

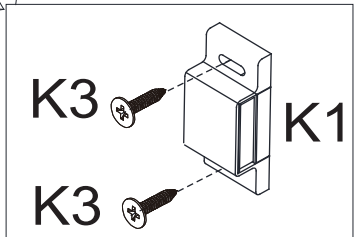
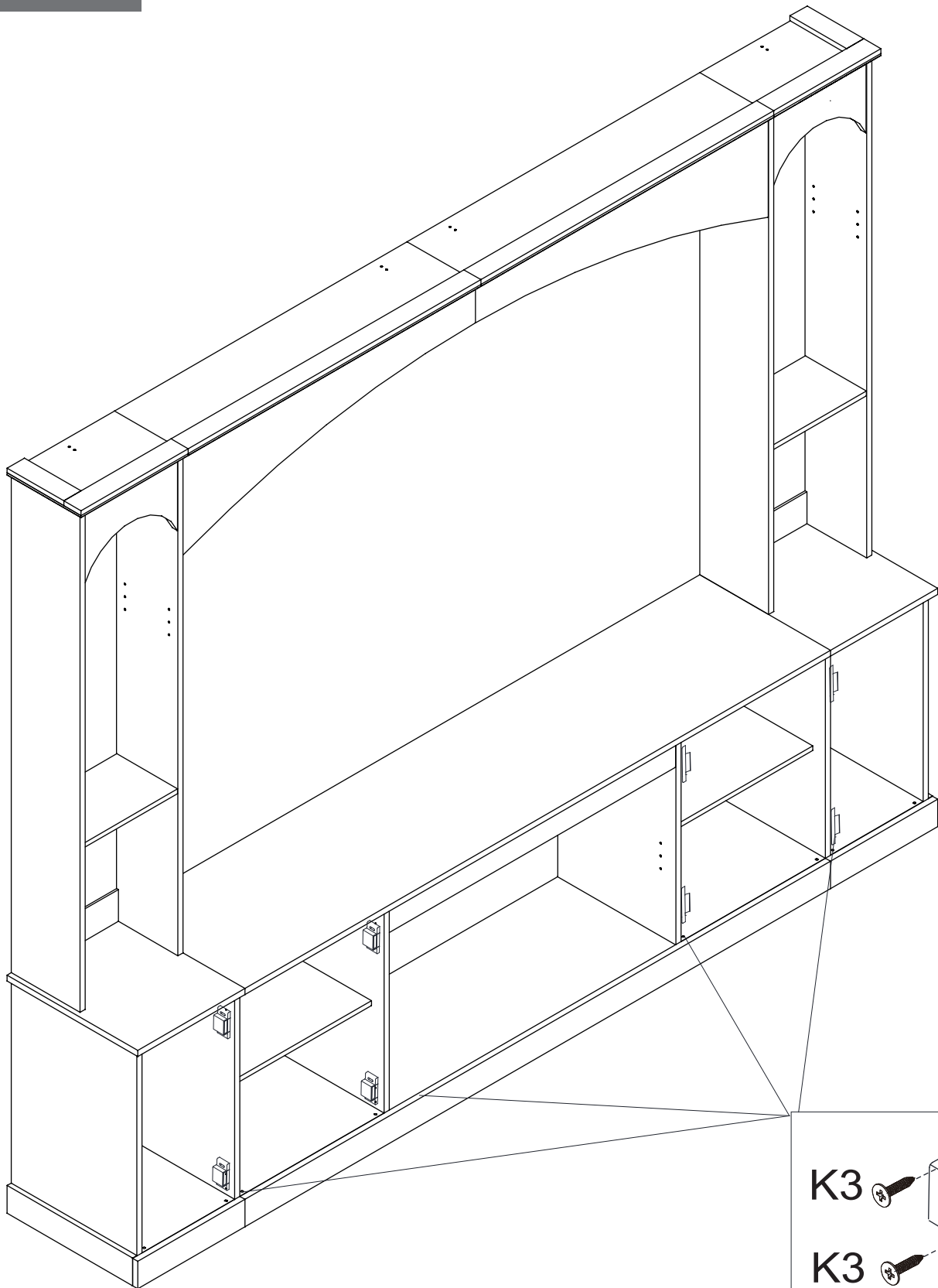


As the picture shows,
Fix hardware "L" into the gap with screws
to make the back panel more stable.

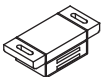
L*60



Step 42



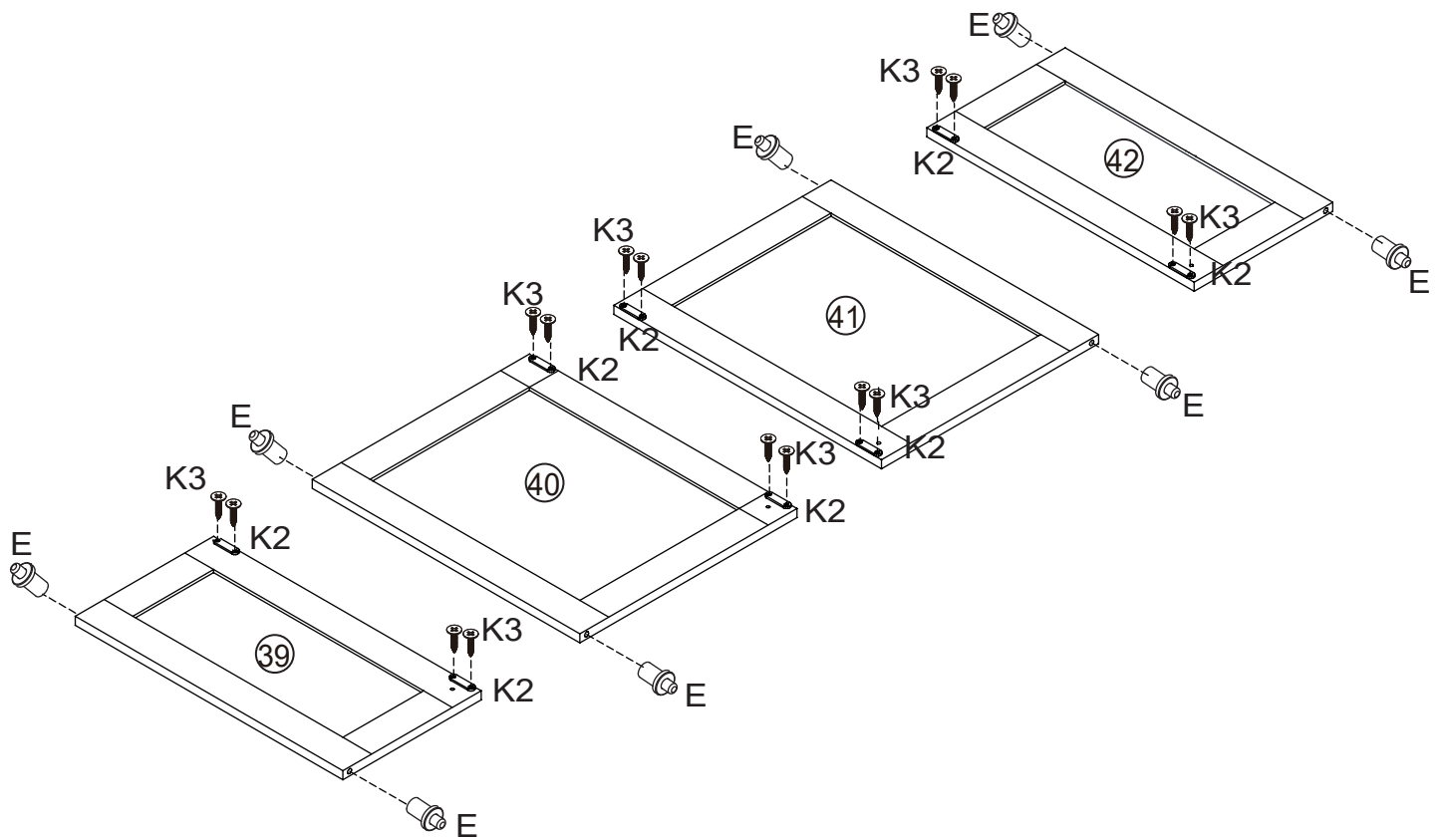
K1*8



K3*16



Step 43



K2*8



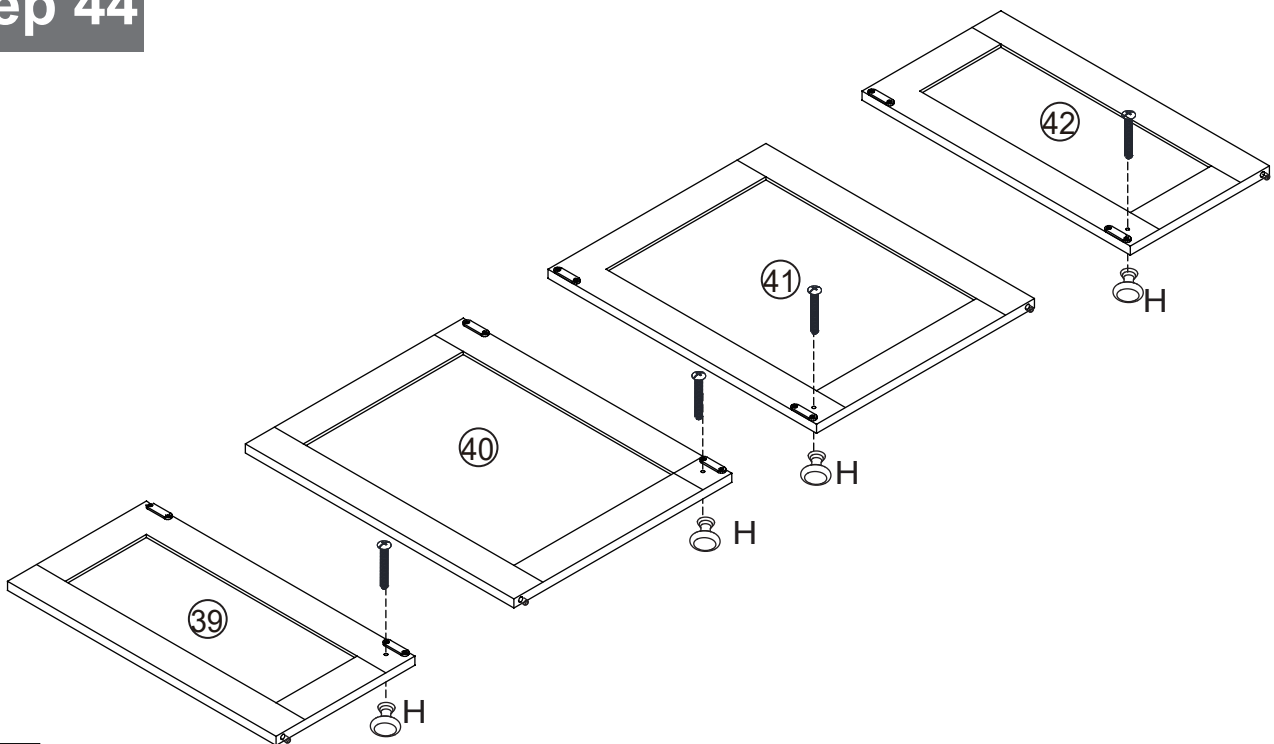
K3*16



E*8



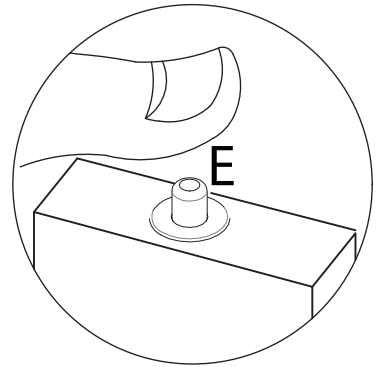
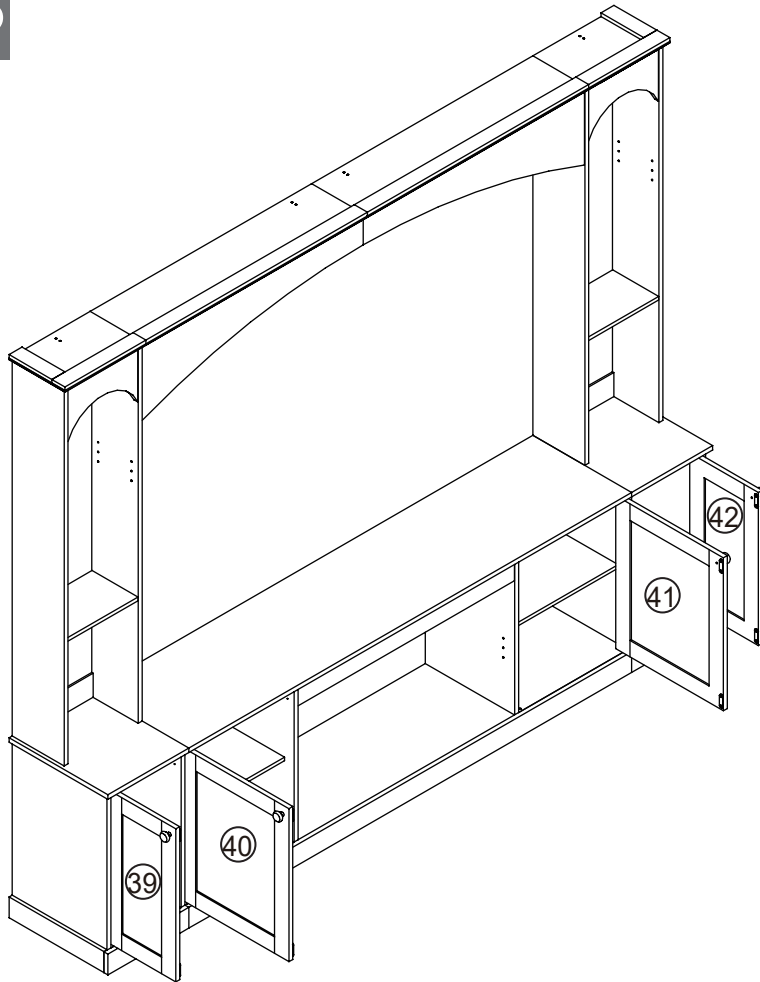
Step 44



H*4

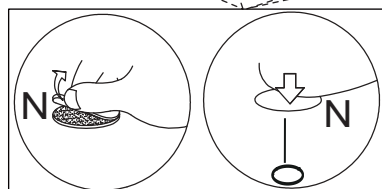
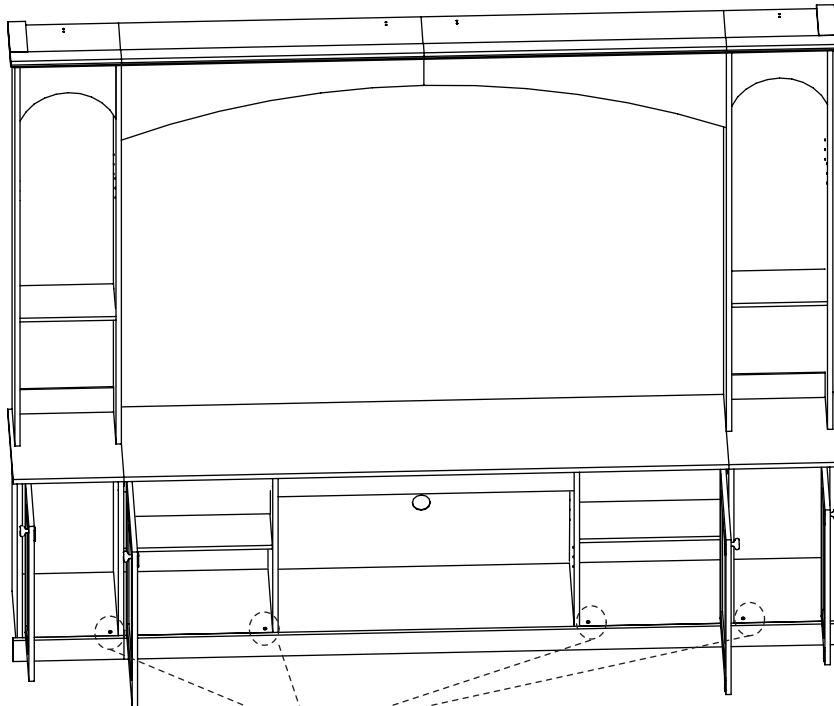


Step 45



Press hardware E and then slot in to the hole at cabinet.

Step 46

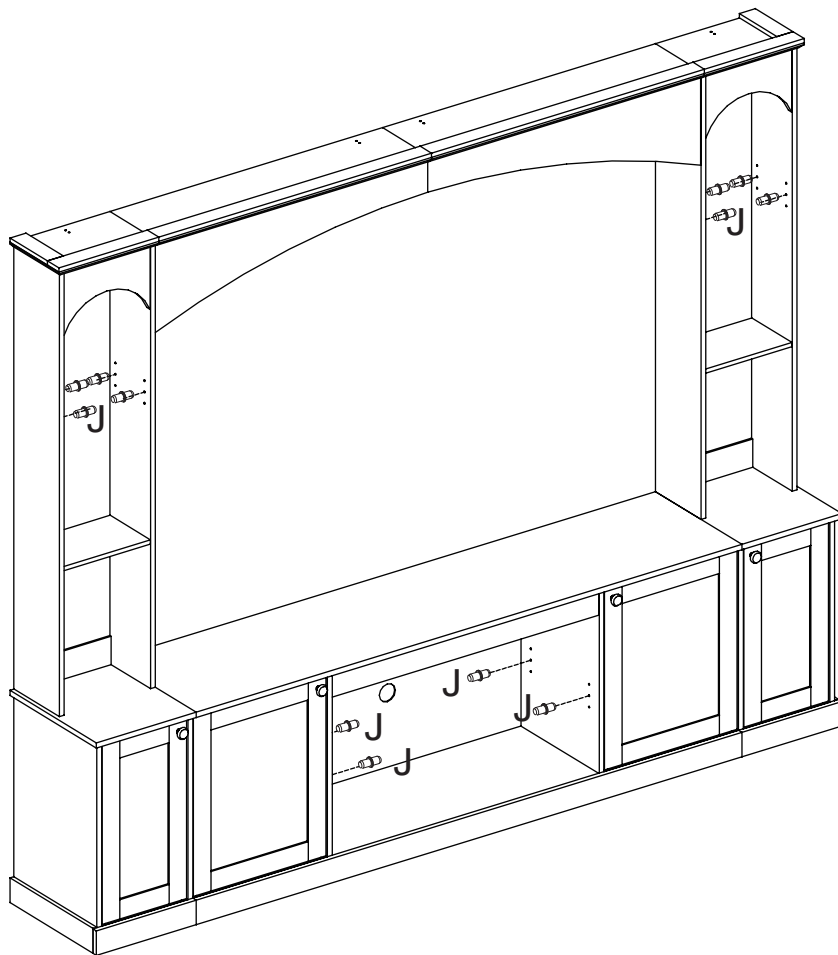


Please stick the hardware "N" on the exposed hole that makes your product more beautiful.

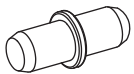
N*45



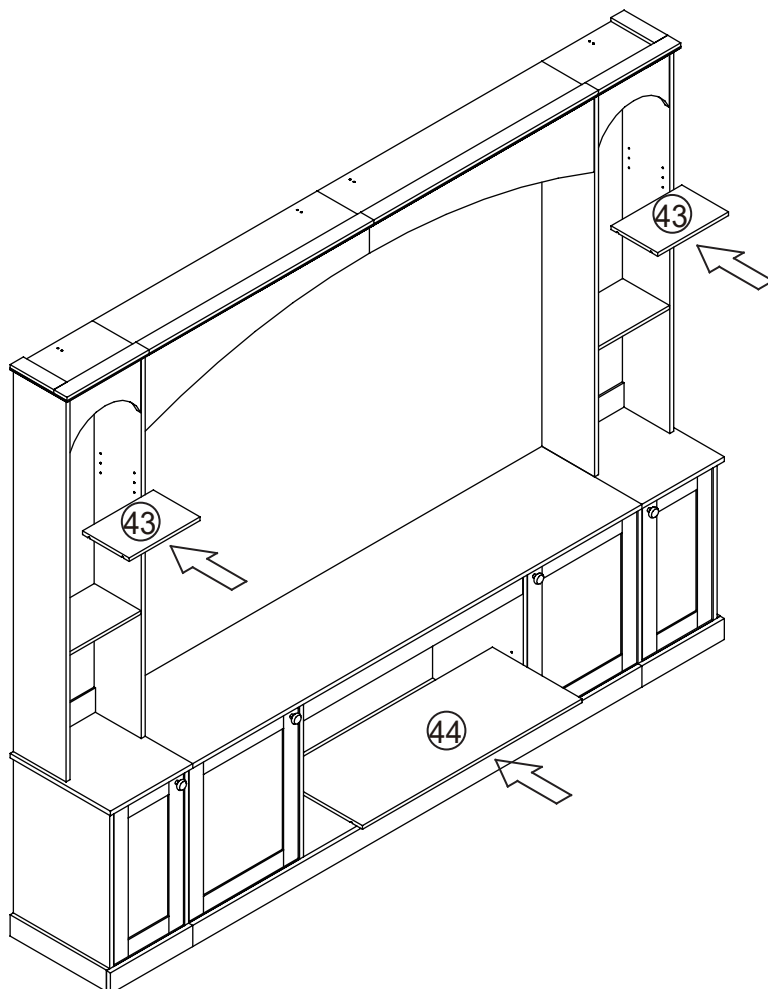
Step 47



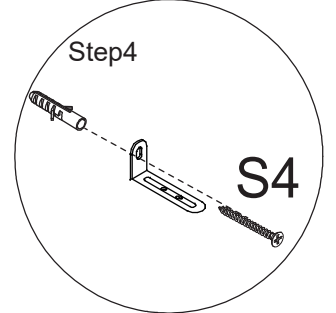
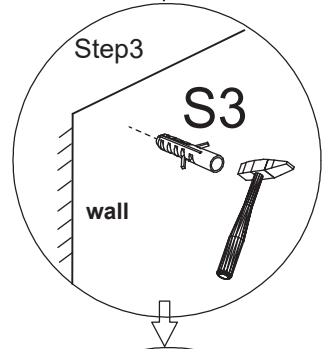
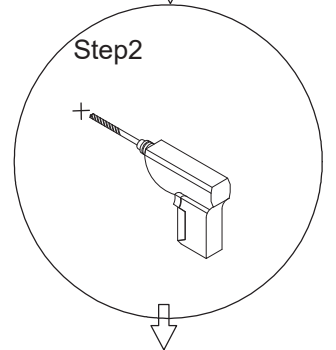
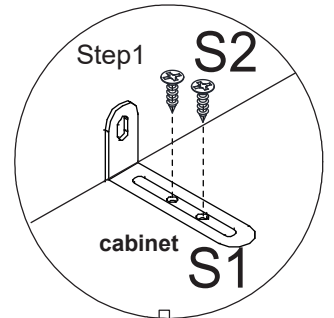
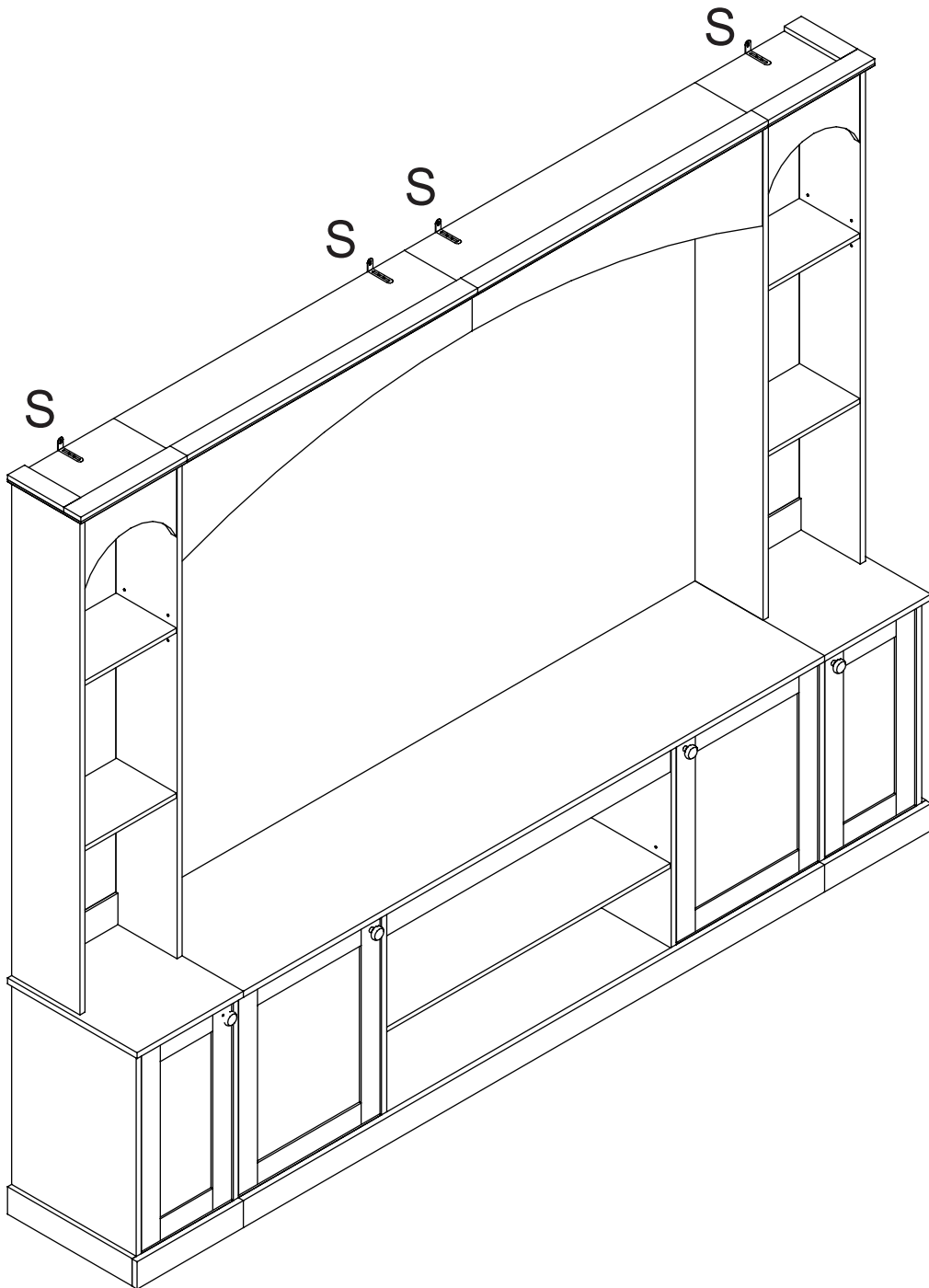
J*12



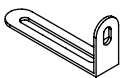
Step 48



Step 49



S*4



S1



S2



S3



S4

FINISH

