

PULL-DOWN SPRAY KITCHEN FAUCET

Model: BT1824

FEATURES

- Solid Brass
- Mineral Buildup Restraint
- Corrosion-Resistant
- Ceramic Disc Cartridge
- Single Hole Construction
- Single Lever Design
- 360° Swivel

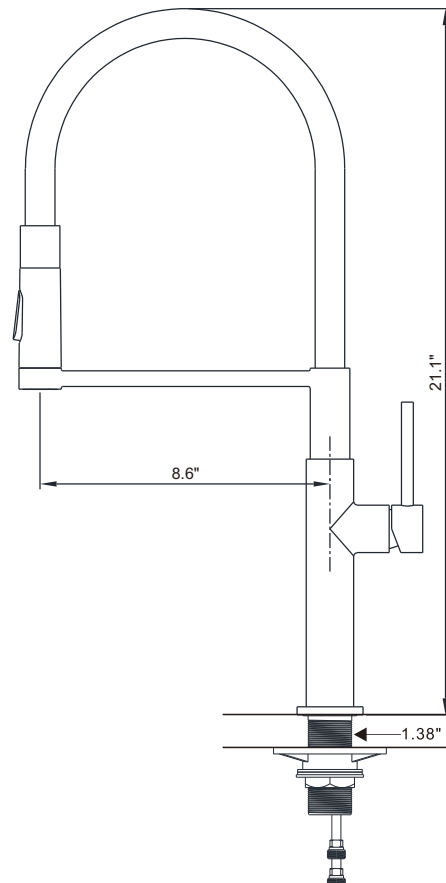
PACKING LIST

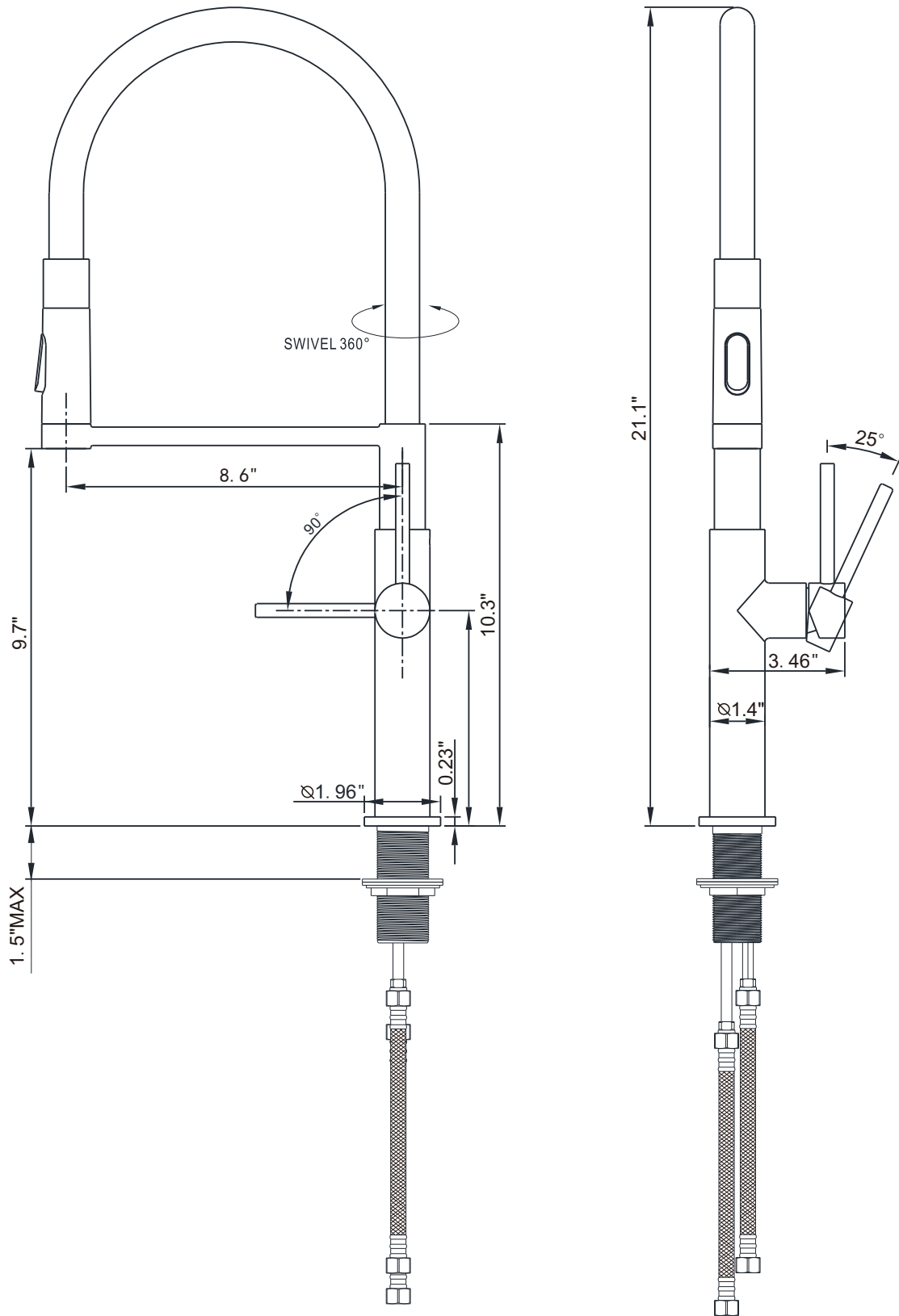
- Faucet Assembly
- Sprayer
- Allen Key
- Two Metal Braided Hoses
- Weight
- Plastic Holder



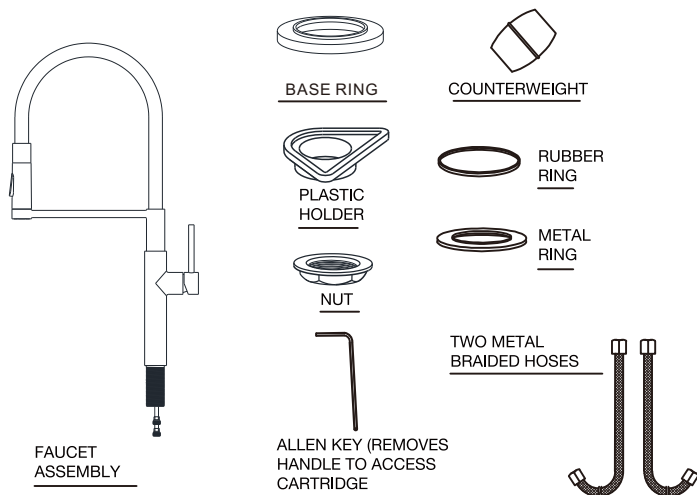
DIMENSIONS

MODEL #	HOLE DIAMETER	FAUCET HEIGHT	SPOUT REACH
BT1824	1.38"	21.1"	8.6"





PACKAGE CONTENT



REQUIRED TOOLS

Adjustable wrench
 Allen key - supplied (to remove cartridge if needed)
 Plumber's putty - optional
 Pipe tape
 Flat screwdrivers

SAFETY TIPS

If you use soldering for the installation of the faucet, the seats, cartridges and washers will have to be removed before using flame. Damage caused by improper soldering will void the warranty. Protect your eyes with safety glasses when cutting or soldering water supply lines.

IMPORTANT POINTS

Prior to beginning installation, turn off the cold and hot water lines and open the hot and cold knobs on the old faucet to release pressure. When installing your new faucet, turn the connector nuts finger-tight, then use one wrench to anchor the fitting and a second wrench to tighten the nut. Connections that are too tight will reduce the integrity of the system and potentially cause product failure which could lead to water damage. Wrap all threaded connections with pipe tape available at your local hardware or plumbing supply store. Always wrap in a clockwise direction.

Not all necessary supplies to install your faucet are included, however, they are available wherever plumbing supplies are sold.

Prior to installing the faucet please FLUSH THE HOT AND COLD WATER SUPPLY LINES that are or will be connected to the new faucet to remove scale, solder or their impurities which could damage the faucet and potentially void the warranty.

MAINTENANCE

Your new faucet is designed for years of trouble-free performance. Keep it looking new by cleaning it periodically with a soft cloth. Avoid abrasive cleaners, steel wool and harsh chemicals as these will scratch, dull, and/or damage the finish and void the warranty.

INSTALLATION

Installation must be done by a qualified licensed plumber. Prior to installation please read the instructions thoroughly, confirm that all parts are included and visually inspect the unit for any defects. If you have any questions please contact our Technical Support Department before proceeding with installation.

ASSEMBLY

1. Shut off water supply. Remove the old faucet and flexible hoses. Clean sink surface with a non-abrasive cleaner in preparation for the new faucet.

2. Thread female end of metal braided hose to the faucet (2).



Ensure that you use pipe tape and do not over tighten the supply line nuts as this could cause product failure leading to water damage.

3. Place base ring to the faucet.

4. Position the faucet in the countertop hole, from beneath the countertop hole assemble the plastic holder, rubber ring, and metal ring in the order depicted in the diagram. Then thread the metal nut onto the hollow pin. Tighten the metal nut until the faucet is secure.



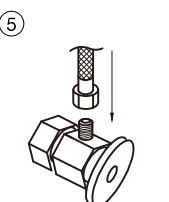
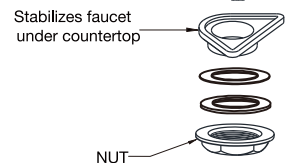
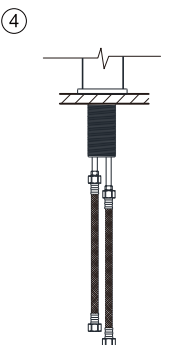
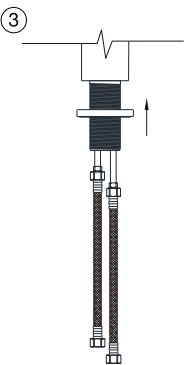
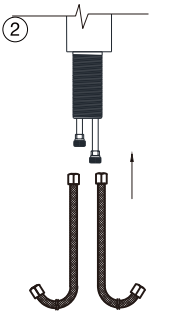
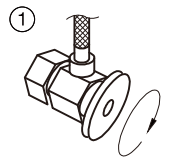
Ensure that parts are Assembled in the order as depicted in the diagram to prevent damage to faucet and supply lines.

5. Attach the female connections of the flexible hoses to the cold and hot water supply.



Ensure that you use pipe tape and adjustable wrench, do not over tighten as this could cause product failure leading to water damage.

6. After installation is complete, turn on the water supply and allow both hot and cold water to run separately for at least two minutes each. While water is running, check for leaks. It is important to view the connections at the male and female flexible hose connections. If leaks are detected, refer back to the instructions and adjust accordingly. Tightening nuts slightly may stop any minor leaks.



TROUBLESHOOTING

PROBLEM	POTENTIAL CAUSE	CORRECTIVE ACTION
1 - Leaks from handle	1.A - Cartridge unseated	1.A - Remove cartridge from housing, wash thoroughly with hot water and reset in housing. 1.B - Contact BEYTTOL Technical Support for replacement.
2 - Insufficient flow rate	1.B - Cartridge defective	
3 - Leak at connection points	2.A - Dirty aerator	2.A - Remove and soak / clean with a non abrasive agent (i.e. vinegar). 2.B - Remove sprayer or supply line and flush lines.
4 - Loose spiral neck	2.B - Clog in supply hose / line	
5 - Loose faucet body	3.A - Sprayer hose not tight	3.A - Remove spiral neck by loosening the metal screw and pulling up on the spiral neck exposing the spray hose. Make sure the washer is seated properly and retighten with an adjustable wrench. 3.B - Tighten hoses. If this does not resolve the issue, remove the flexible hose and rethread, checking to make sure the connection is secure. Make sure to use pipe tape.
	3.B - Flexible hose leaking at body or connection point	
	4 - Metal screw is not locked into internal white washer hole location	4 - Loosen metal screw, lift off the spiral neck and reset making sure to thread the metal screw into the white washer housing.
	5 - Metal nut became loose	
		5 - From under the sink/counter, use an adjustable wrench and tighten the metal nut to the hollow pipe. Make sure the faucet is perpendicular to the sink/counter.

PARTS LIST - For any parts needed but not shown, please contact BEYTTOL Technical Support

PART	PART #	FINISH
Sprayer	E00320	CH\BN\MB
Handle Lever	A00868	CH\BN\MB
Handle	C00232	CH\BN\MB
Screw	B00027	
Cartridge	F00052	
Metal braided Hose	H00100	
Black Washer with Screen	D00076	

WARRANTY

Beyttol products are manufactured and tested under the highest standards of quality.

Beyttol offers the following limited warranty on its KITCHEN FAUCET Products (the "Product"). This warranty extends only to the original purchaser/end-user for normal usage and is not transferable. Beyttol warrants the spray head assembly, hoses, cartridge, all mechanical components, and the finish of the product to be free from defects in workmanship and materials under normal usage for a period of (1) year from the initial date of purchase from Beyttol or an authorized Beyttol dealer. Beyttol products purchased from unauthorized sellers are excluded from this warranty. Any product reported to the authorized dealer or to Beyttol as being defective within the warranty period will be repaired or replaced with a product of equal value (as determined by Beyttol) and this assurance does not include any costs related to installation and shipping. This warranty shall not apply to damage due to installation errors, product misuse, abuse, neglect, misapplication, improper maintenance, use of cleaning products containing abrasives, alteration of the product, accident, hard water or mineral deposits, natural corrosion, acts of God, or any other casualty. This warranty only applies to Beyttol products installed by a fully licensed and insured professional. Beyttol strongly recommends licensed professionals with experience in the installation of bathroom and/or kitchen goods. Any personal injuries caused by improper or inexperienced installation, removal, or replacement of product or product parts are not covered under this warranty. Beyttol reserves the rights to change, modify, and/or update this warranty policy at any time. The owner/end-user must provide requested conclusive evidence so that Beyttol can properly determine and execute the warranty specified herein. If you would like to make a warranty claim, please feel free to contact us via email at beyttol@outlook.com.

BEYTTOL ARE PROVIDING THE ABOVE WARRANTIES IN LIEU OF ALL OTHER WARRANTIES, EXPRESSED OR IMPLIED, INCLUDING BUT NOT LIMITED TO THE IMPLIED WARRANTIES OF MERCHANTABILITY AND OF FITNESS FOR A PARTICULAR PURPOSE. BEYTTOL SHALL NOT BE LIABLE FOR ANY SPECIAL, INCIDENTAL, OR CONSEQUENTIAL DAMAGES, EVEN IF THE POSSIBILITY OF SUCH LOSSES WAS KNOWN OR FORESEEABLE. Beyttol cannot be held liable for any amount over and above the purchase price paid for the Product by the original purchaser. The owner/end-user may also have other rights which may vary from jurisdiction to jurisdiction.

For missing or replacement parts, please contact beyttol@outlook.com