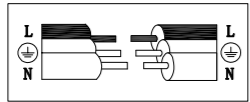
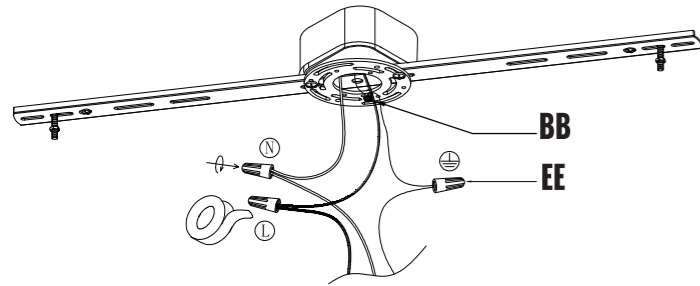


4. Connect the Wires

Step 1: Wrap the ground wire from the outlet box around the Ground Screw (BB) on the Mounting Bracket (AA), and then connect the ground wire from the fixture to the ground wire from the outlet box.

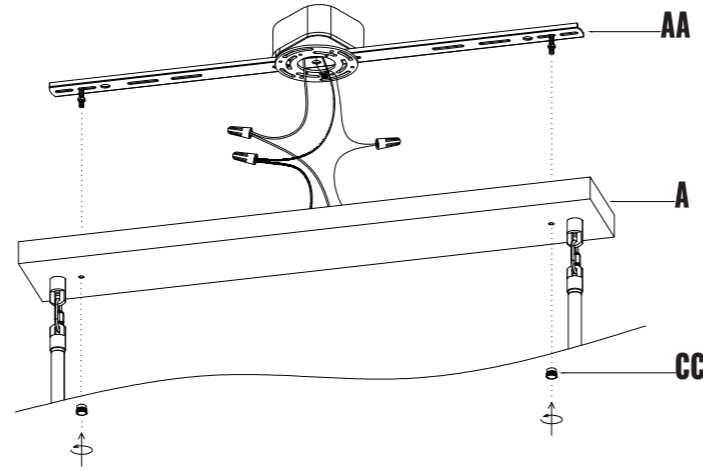
Step 2: Connect the wires from the fixture to the house supply wires, neutral (white) to neutral wire, and hot (black) to hot wire.

Step 3: Spread apart the wires so that the hot wires are on one side of the outlet box and the neutral wires are on the other.



5. Install Canopy

Install the Canopy (A) onto the Mounting Bracket (AA) with the Knurled Nut (CC).



INSTALLATION MANUAL

CHANDELIER

Model NO.:LH-2129G-5412

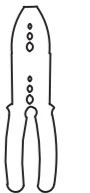
TOOLS REQUIRED



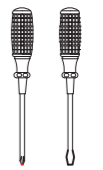
Ladder



Pliers



Wire Strippers

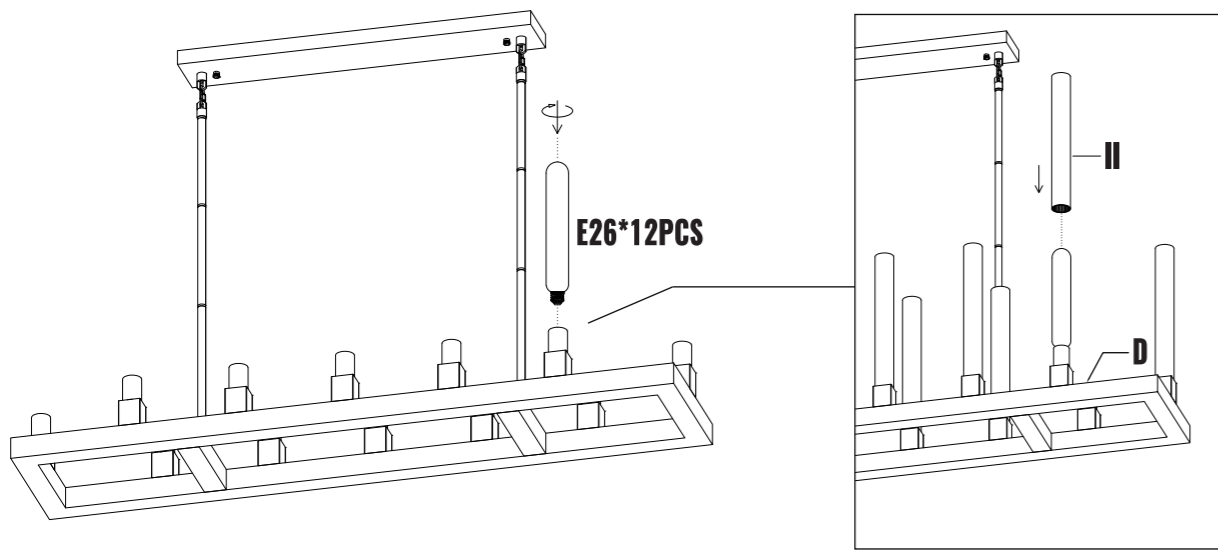


Screwdrivers

INSTALL BEADS AND BULBS

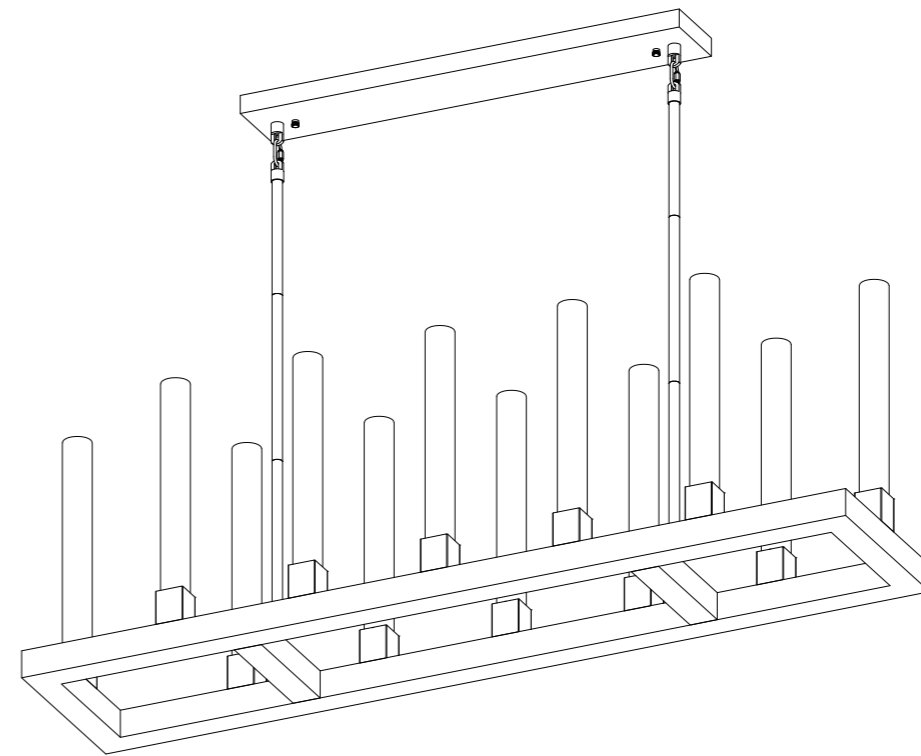
Step 1: Install the E26 bulbs.

Step 2: Install the Lamp Shade (II) on the Lamp Body (D).

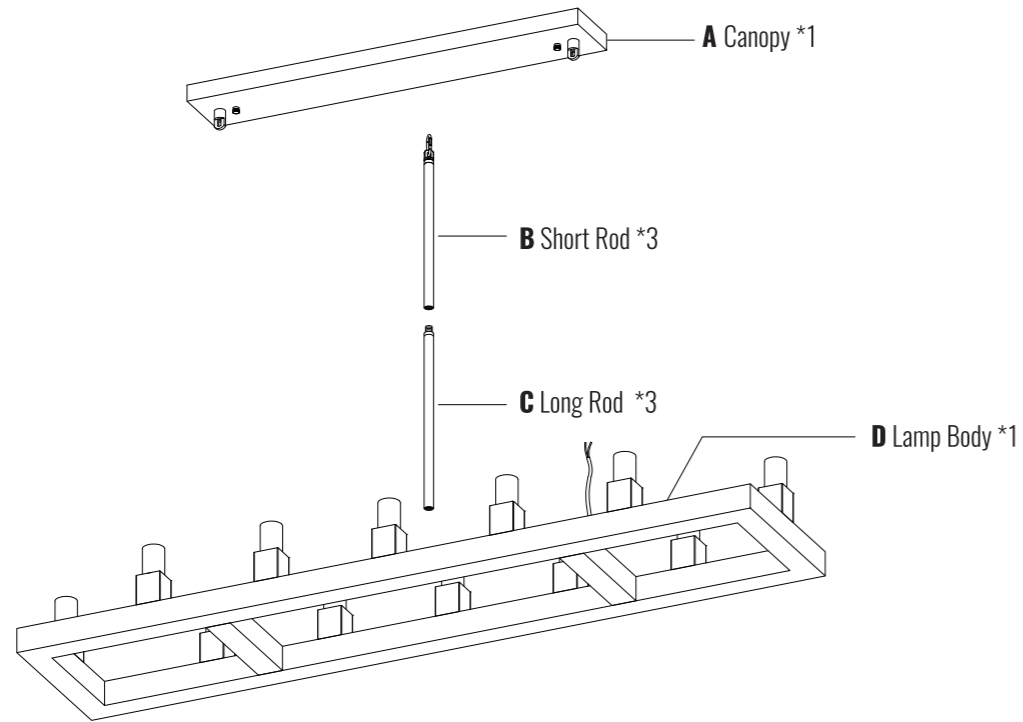


NOTE:

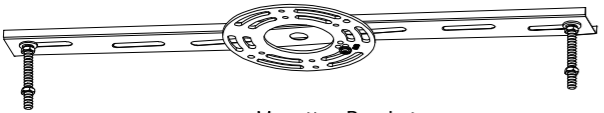







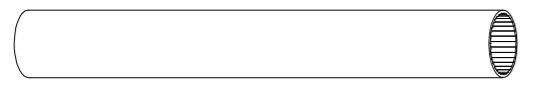

This lamp uses E26 bulbs base and can only be used on conjunction with LED bulbs (not included) up to 60W.
Fully dimmable when used with dimmable bulbs and compatible dimming switches (not included).



PACKING LIST



INSTALLATION KIT

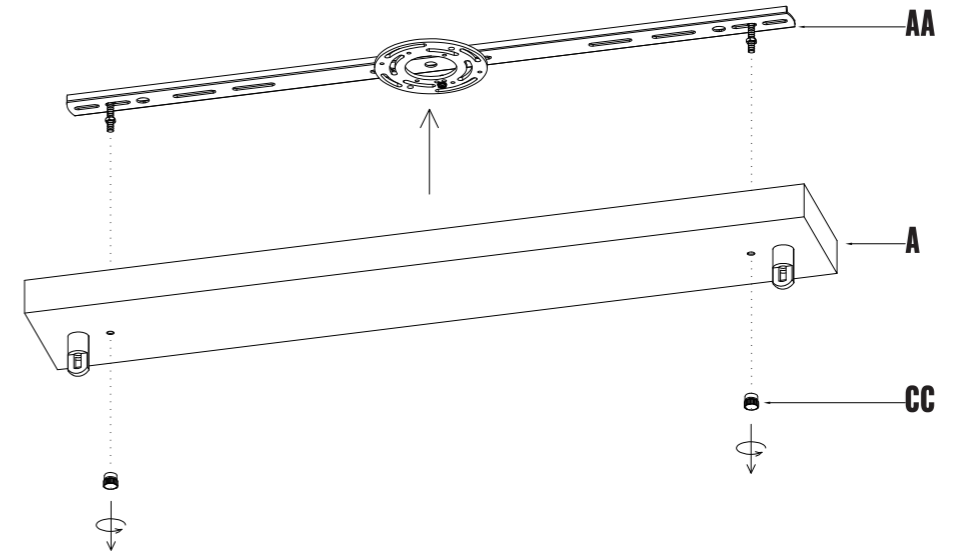
AA  Mounting Bracket 1X	BB  Ground Screw 1X
CC  Knurled Nut 2X	DD  Outlet Box Screw 2X
FF  Flat Washer 2X	EE  Wire Nut 3X
GG  Plastic Anchor 2X	HH  Wood Screw 2X
II  Lamp Shade 12X	JJ  Gloves 1X

Note:
BB has already been pre-installed with AA, and AA/CC has already been pre-installed with Canopy (A).

MOUNTING AND WIRE

1. Detach Mounting Bracket

Step 1: Remove the Knurled Nut (CC), then detach the Mounting Bracket (AA) from the Canopy (A).

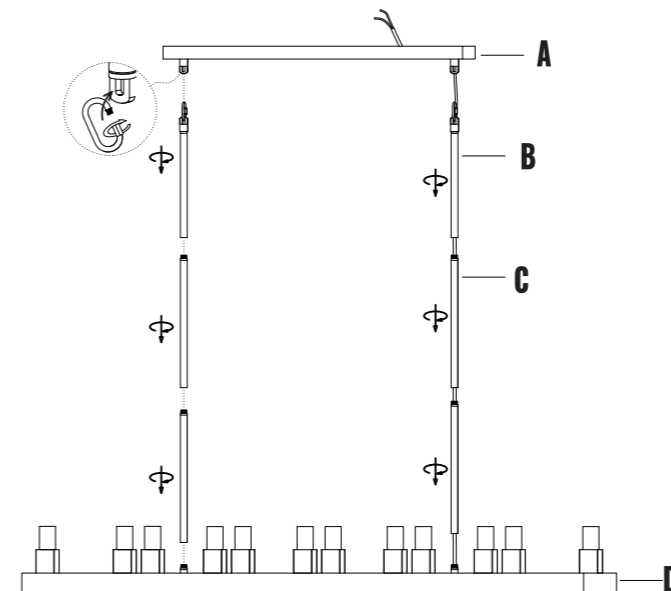


2. Pass the Wires

Step 1: Pass the wire of the Lamp Body (D) through the Long Rod (C), and the Short Rod (B), then insert it into the top Canopy (A).

Step 2: Follow this sequential tightening order for threaded connections: Short Rod (B) → Long Rod (C) → Lamp Body (D).

Step 3: Release Quick Link, use it to connect Short Rod (B) and Canopy (A).



3. Install Mounting Bracket

Step 1: Mark and drill screw holes in the ceiling, then insert the Plastic Anchor (GG).

Step 2: Use Outlet Box Screws (DD) to fix the Mounting Bracket (AA) to the outlet box, then tighten it with Wood Screw (HH) and Flat Washers (FF).

