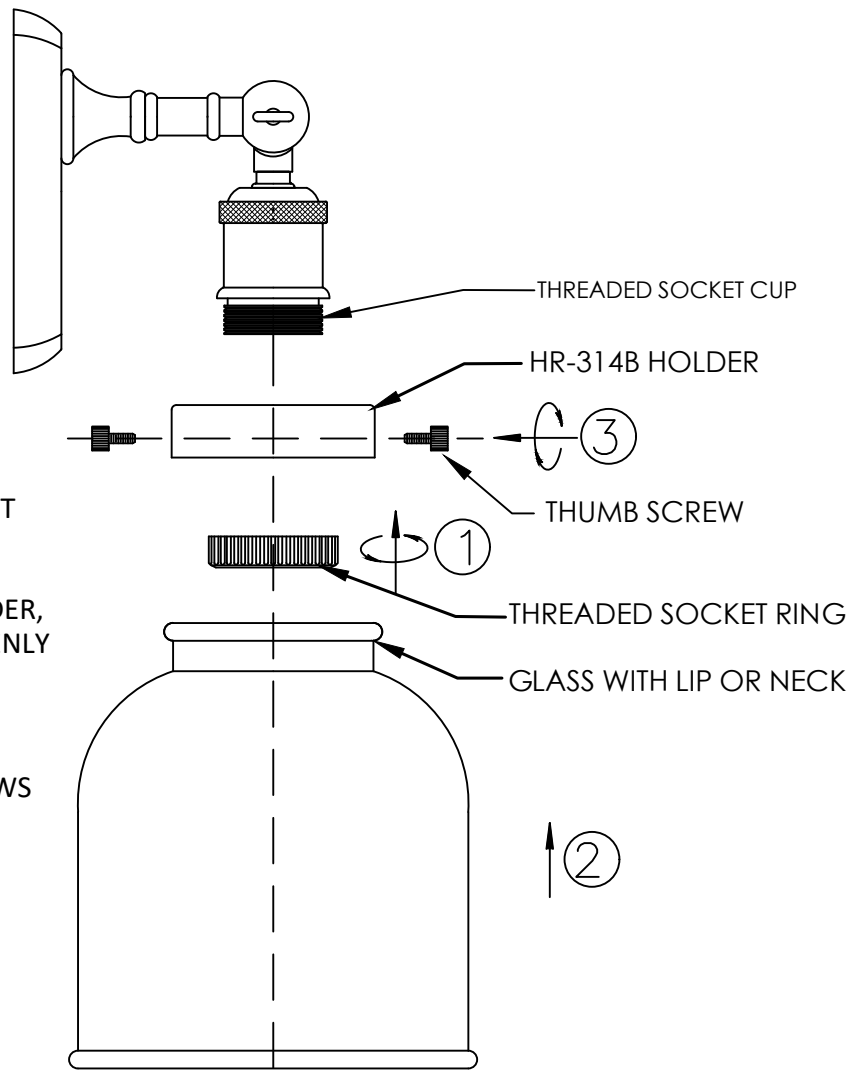


FRANKLIN ASSEMBLY

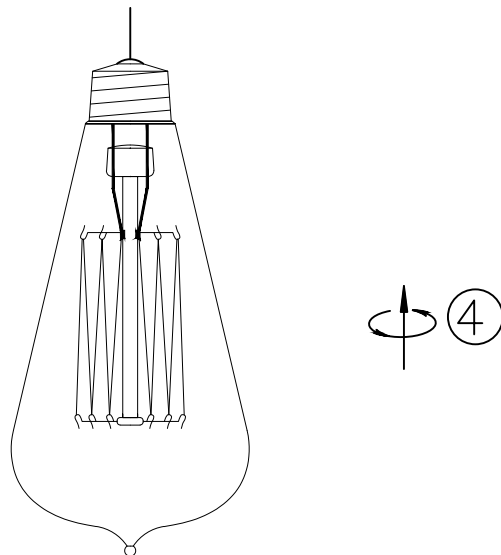
ATTACH THE HOLDER TO THREADED SOCKET CUP USING THREADED SOCKET RING,

SLIDE SHADE INTO THE HR-314B HOLDER, TIGHTEN THE (3) THUMB SCREWS EVENLY TO HOLD GLASS IN PLACE

DO NOT OVER TIGHTEN THUMB SCREWS TO AVOID BREAKING THE GLASS



SHADE STYLE AND BULB OPTIONAL.



OPTIONAL SHADE STYLES WITH LIP OR NECK

