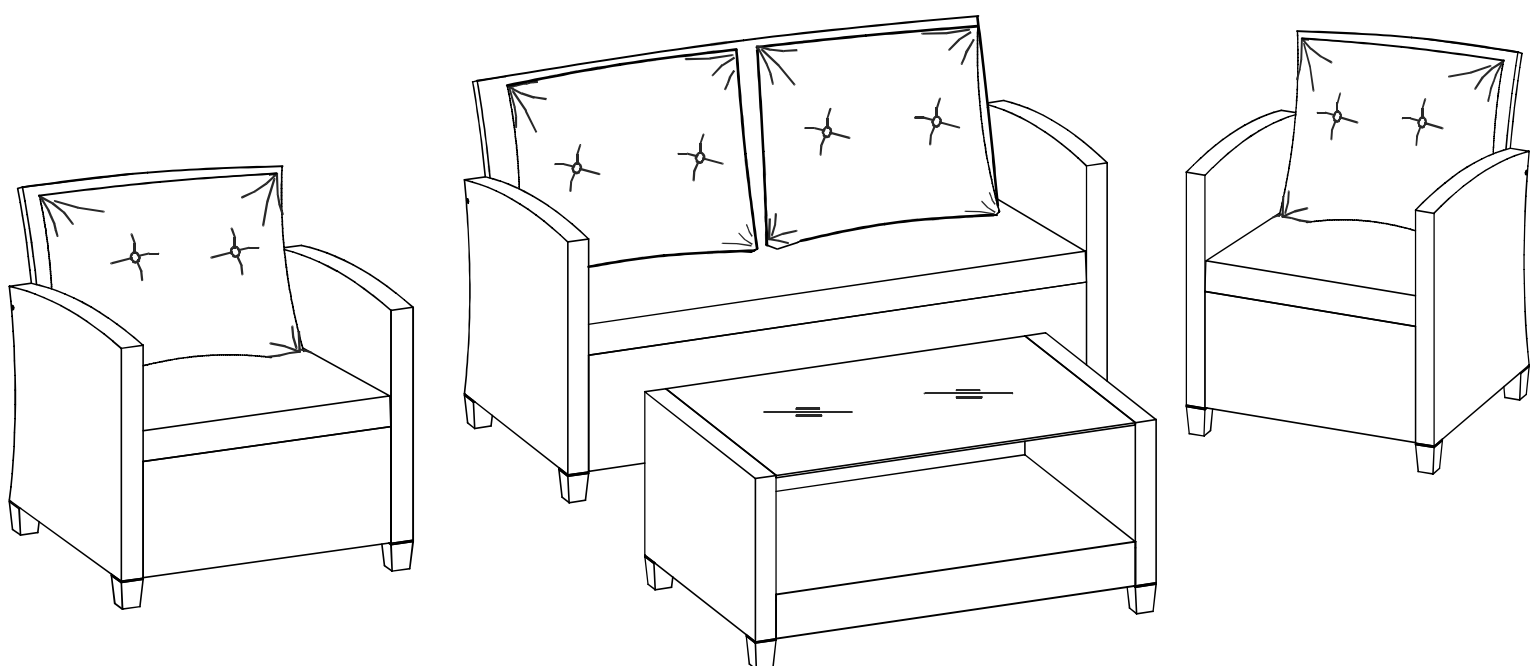


4PCS Sofa set

SKU:HWTBYN-KX4YDB  
SKU:HWTBYN-KX4YLG  
SKU:HWTBYN-KX4ZKK



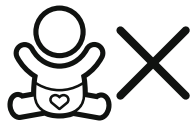
## Instruction Manual

Thank you for shopping with us!

If any parts is missing, broken upon receipt or you need any help from us.

For the FASTEST solutions, please FIRSTLY CONTACT US at our after-sales email: **CSsince1987@hotmail.com!**

# Notes



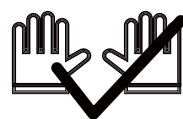
Not intended for use by children. Please keep your children closely supervised.



Keep away from fire or other heat sources.



Do not use harsh cleaner for cleaning!

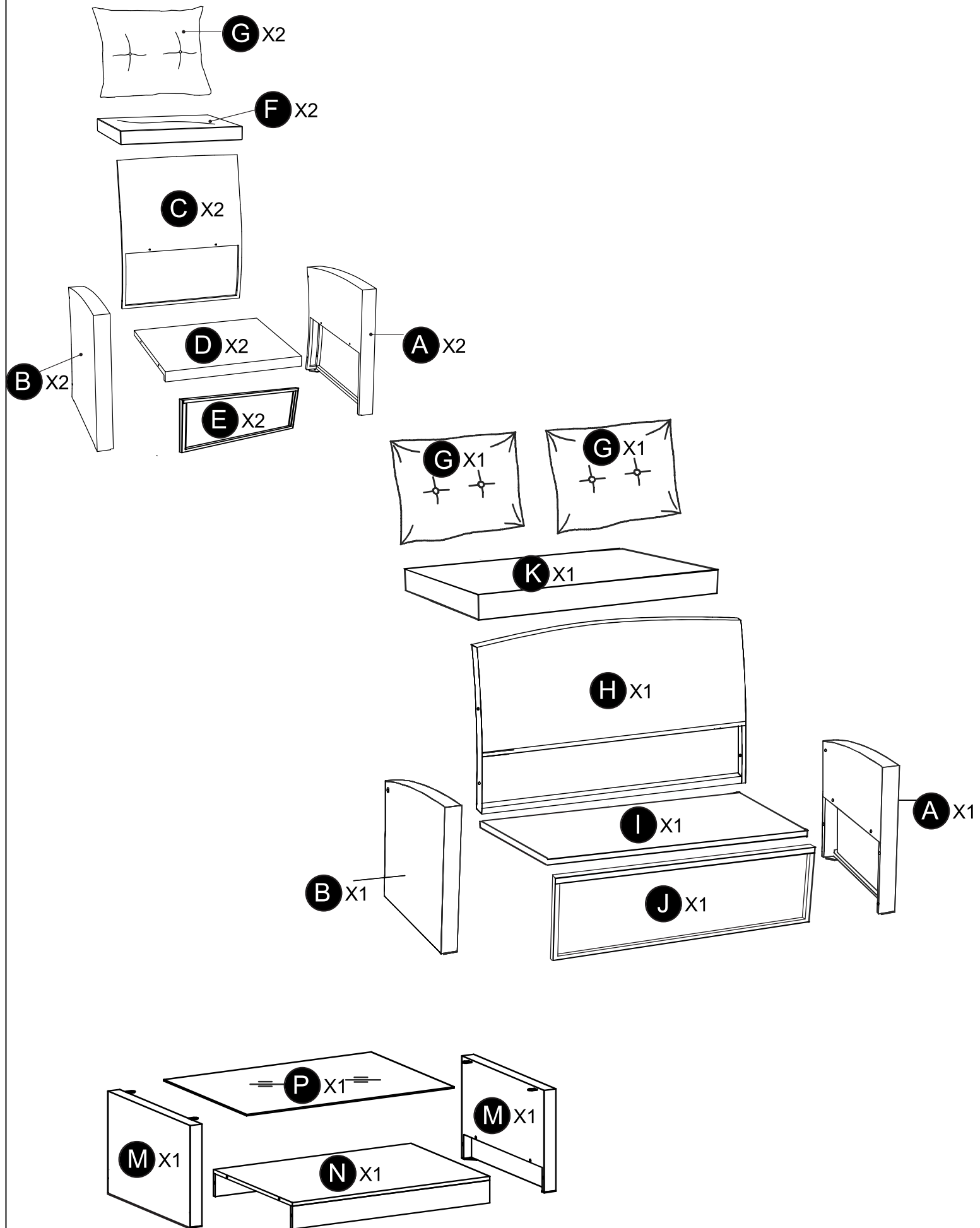


We recommend wearing protective gloves for assembly.

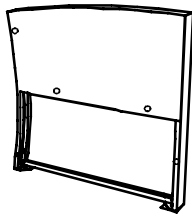


Identify, sort and count the parts before assembly.

# Exploded View

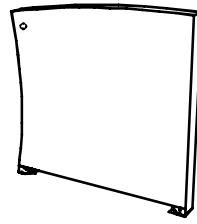


# Parts List



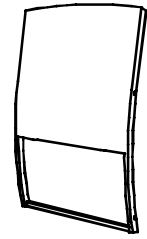
**A** X3

Left armrest



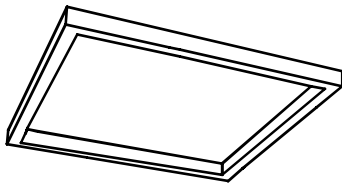
**B** X3

Right armrest



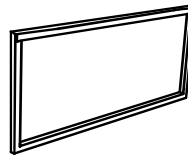
**C** X2

Single sofa back



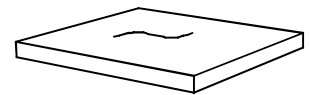
**D** X2

Single sofa seat



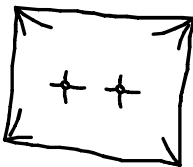
**E** X2

Single sofa side panel



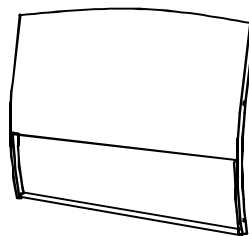
**F** X2

Single sofa seat cushion



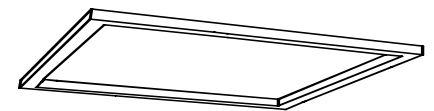
**G** X4

Back cushion



**H** X1

Double sofa back



**I** X1

Double sofa seat



**J** X1

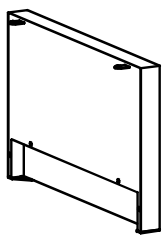
Double sofa side panel



**K** X1

Double sofa seat cushion

# Parts List



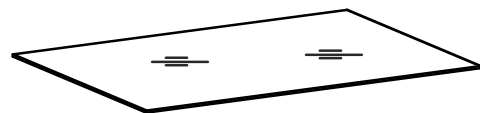
**M** x2

Table leg



**N** x1

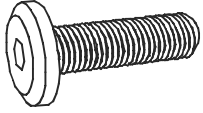
Base panel



**P** x1

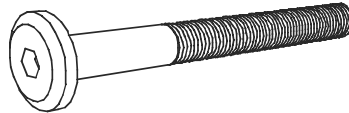
Glass

# Hardware List



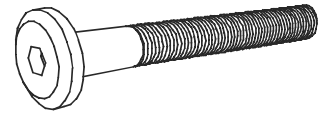
① X26

M6x40mm



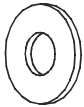
② X6

M6x65mm



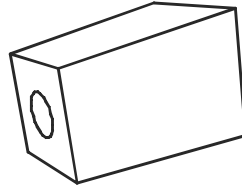
③ X16

M6x55mm



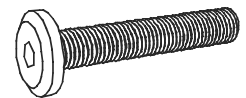
④ X53

Flat Washer



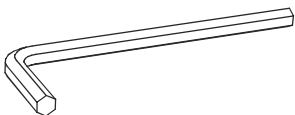
⑤ X16

Plastic feet



⑥ X21

M6x30mm

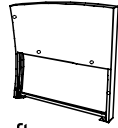


⑦ X2

Allen key

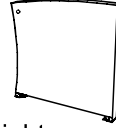
# Step 1

**A** X1



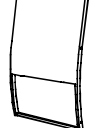
Left armrest

**B** X1



Right armrest

**C** X1



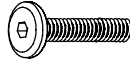
Single sofa back

**02** X2



M6x65mm

**06** X2



M6x30mm

**04** X4



Flat washer

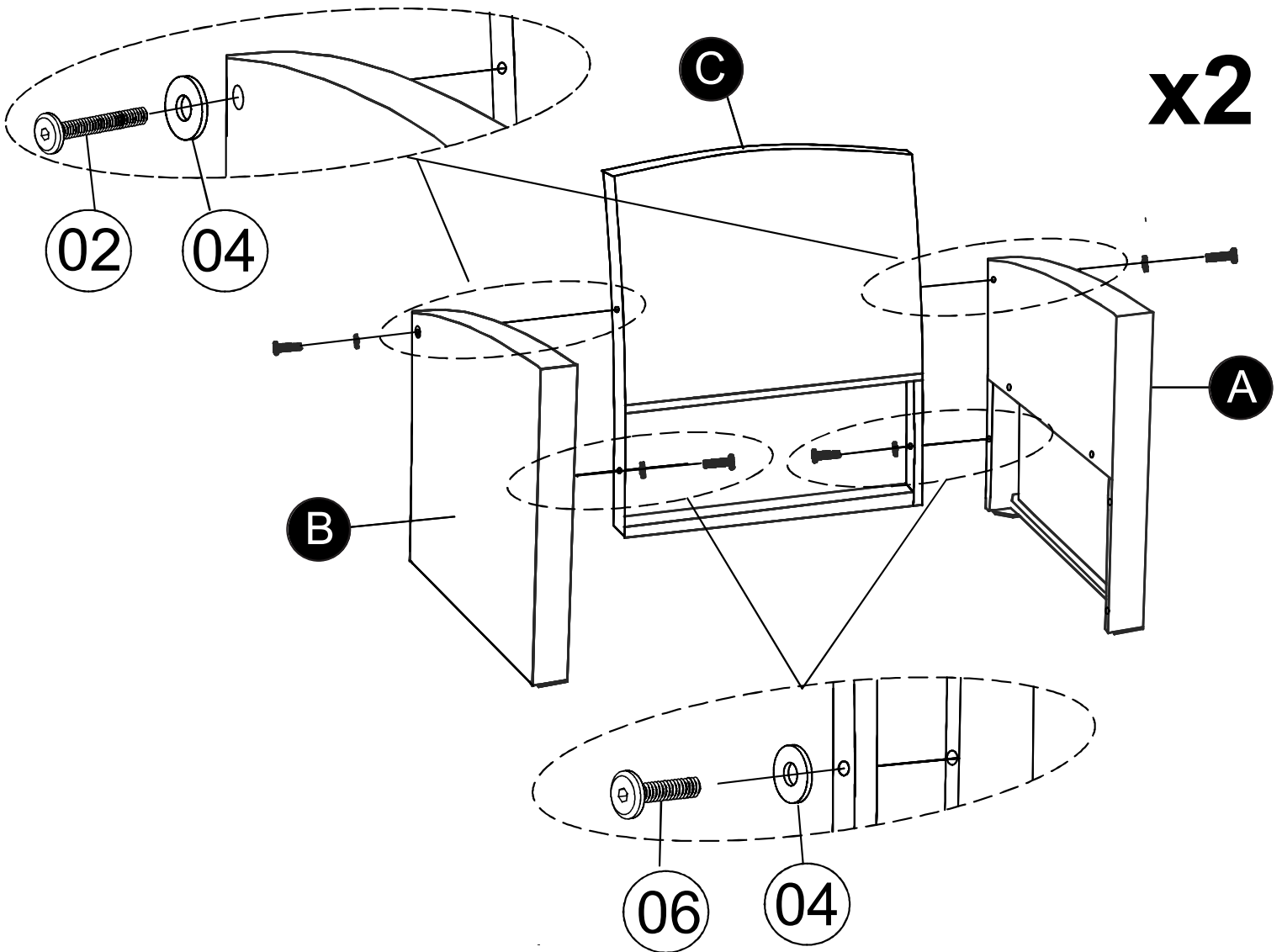
**07** X1



Allen key

Fix part C with part A and part B with M6x65mm Screws (02) and M6x30mm Screws (06) and Flat Washers (04). Use Allen key (07).

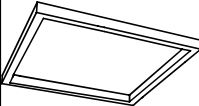
**DO NOT FULLY TIGHTEN.**






# Step 2

**D** X1




Single sofa seat

**01** X6




M6x40mm

**04** X6



Flat washer

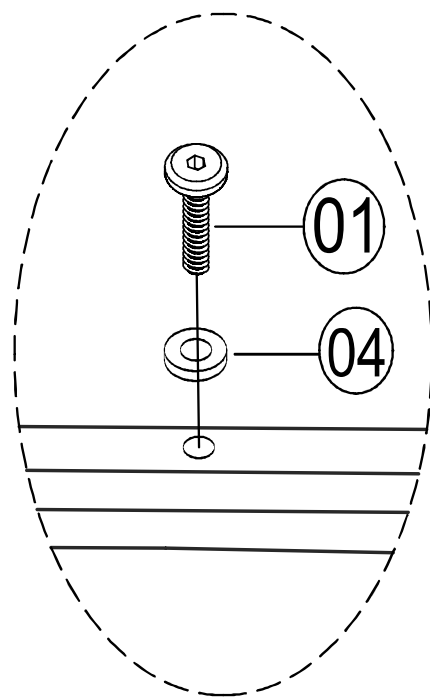
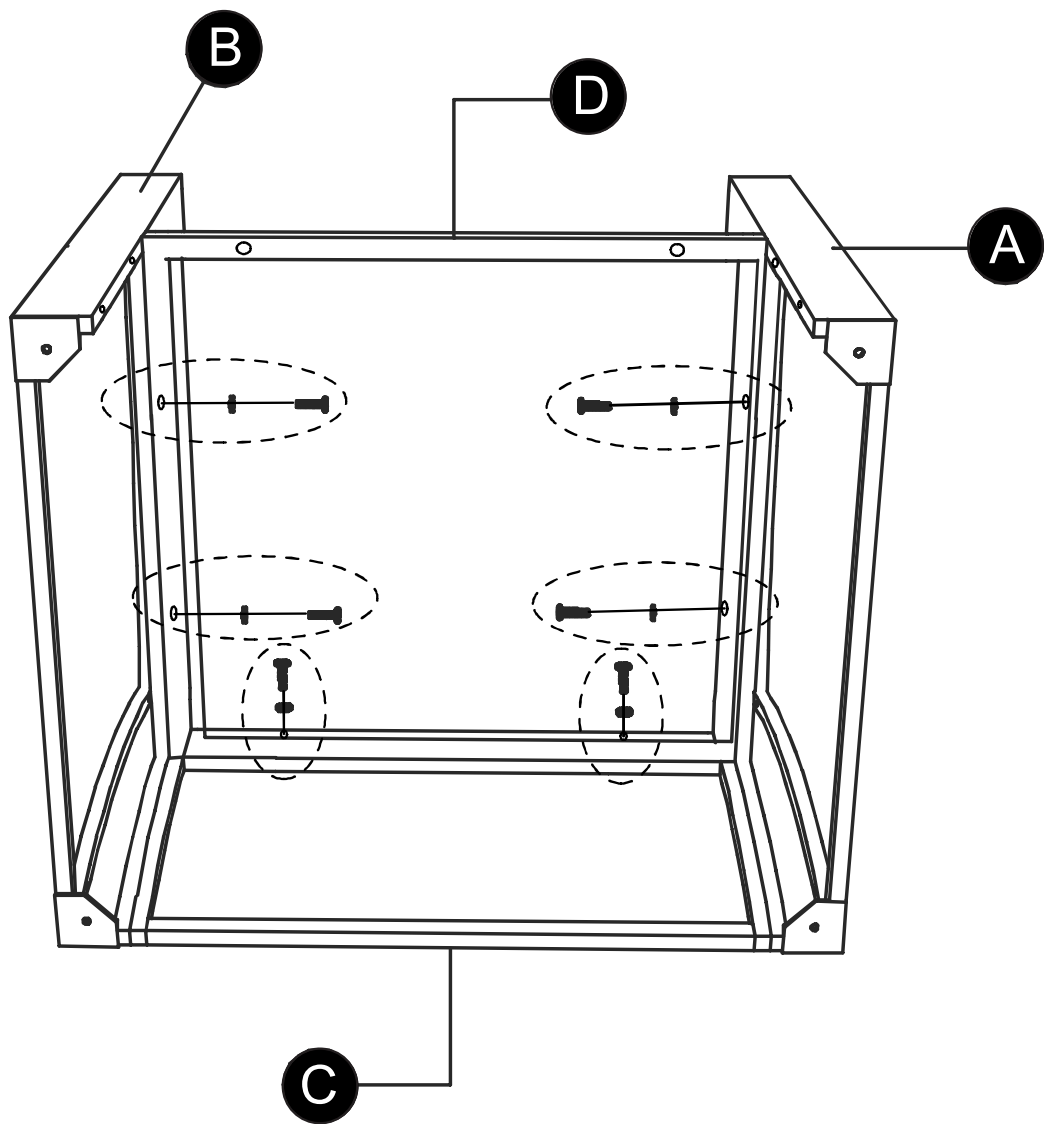
**07** X1



Allen key

Fix part D with part A and part B with M6x40mm Screws (01) and Flat Washers (04). Use Allen key (07).

**DO NOT FULLY TIGHTEN.**




**x2**



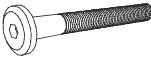
# Step 3

**E** X1




Side panel

**01** X2




M6 x 40mm

**06** X2



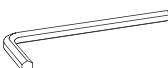
M6x30mm

**04** X4



Flat washer

**07** X1

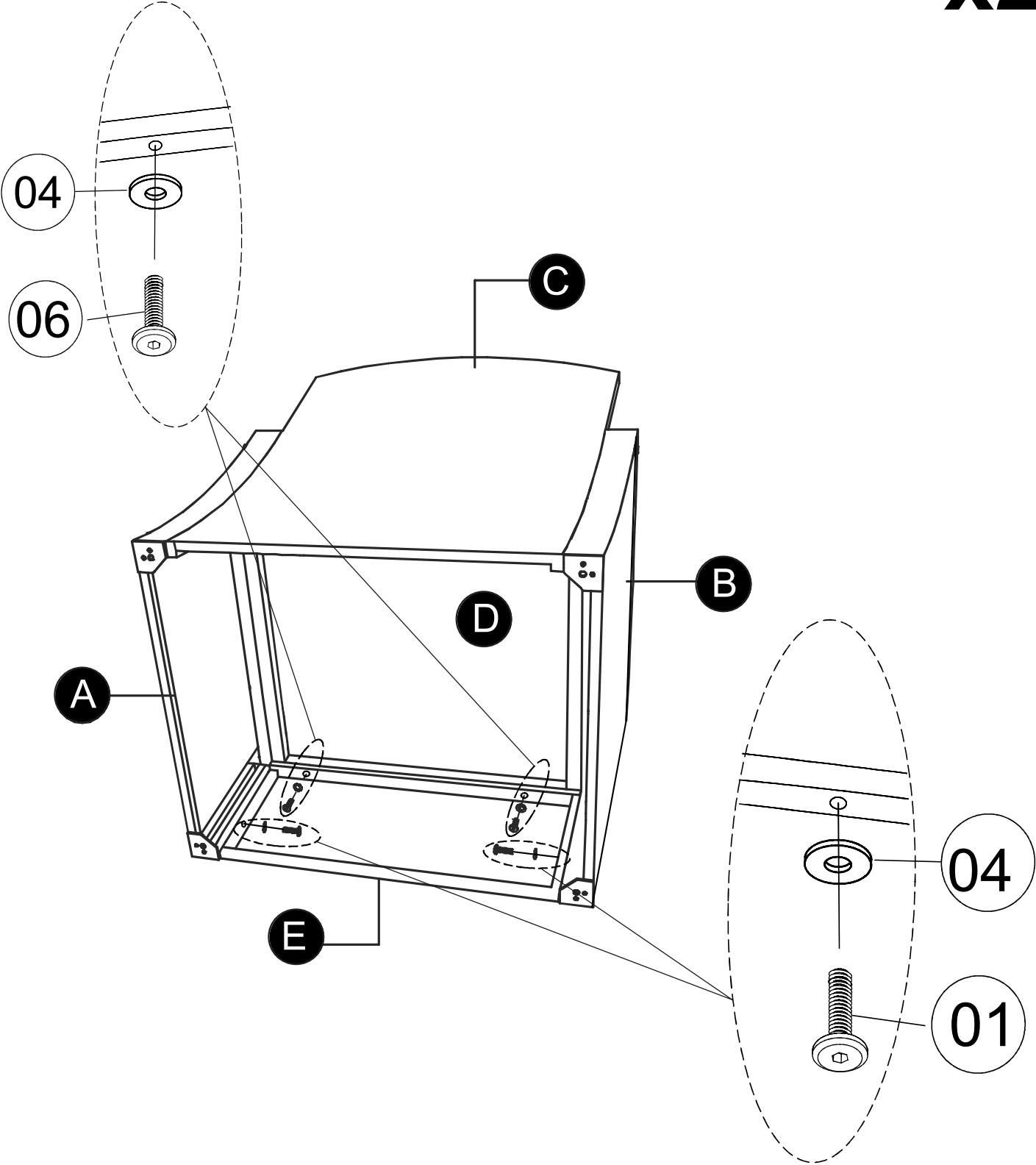


Allen key

Fix part E with part A and part B and part D with M6x30mm Screws (06) and M6x40mm Screws (01) and Flat Washers (04). Use Allen key (07).

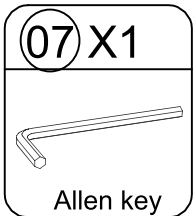
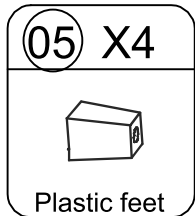
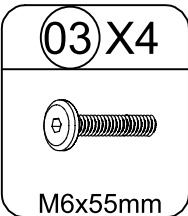
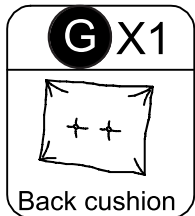
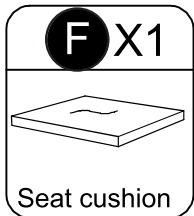
**DO NOT FULLY TIGHTEN.**

**x2**





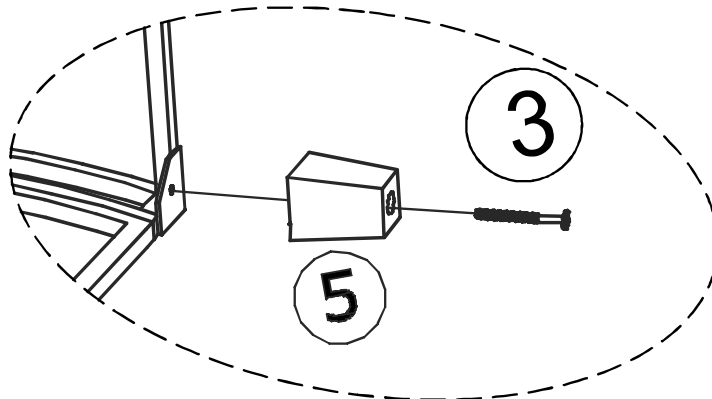
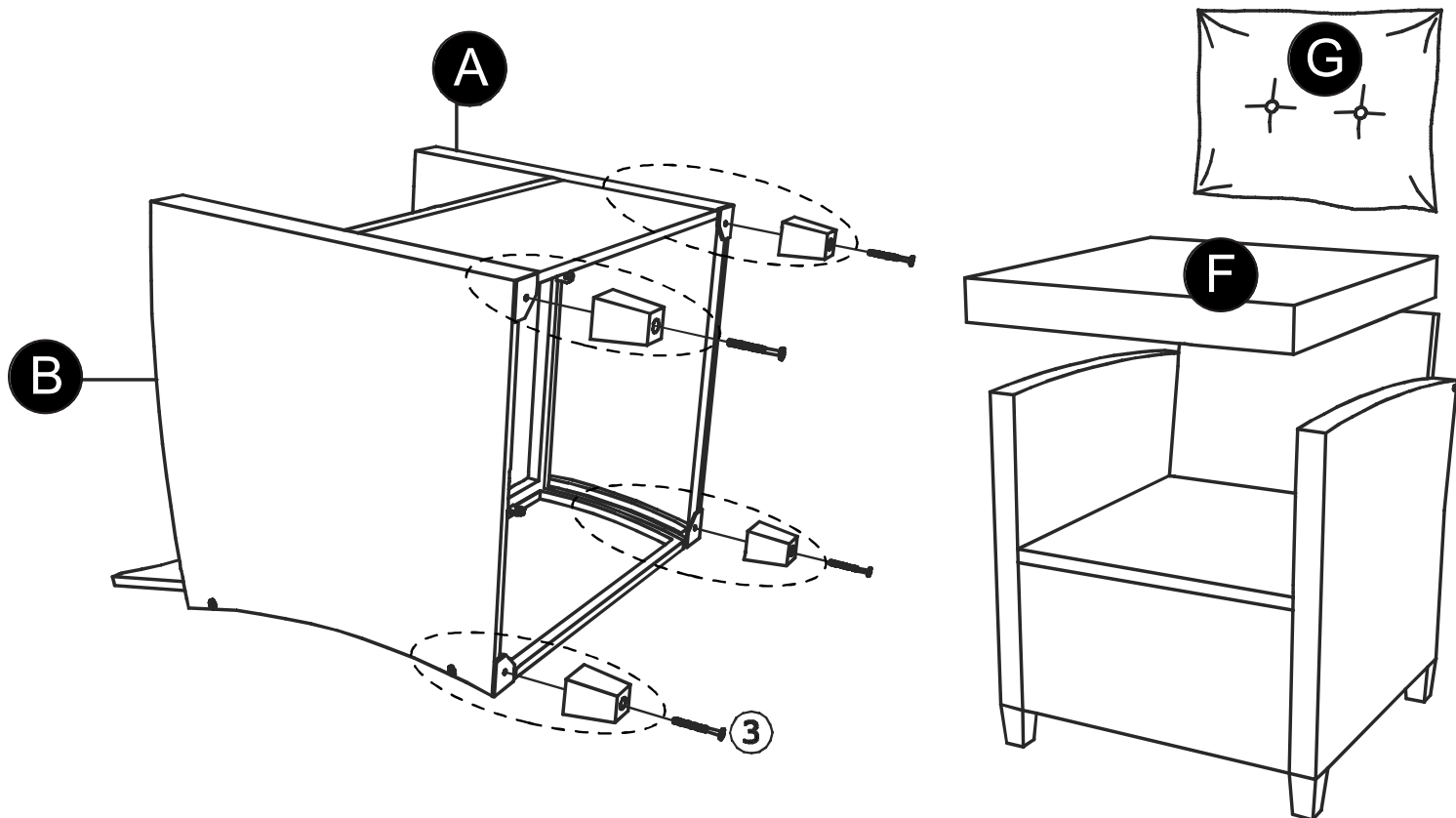
# Step 4



Fix part 05 with part A and part B with M6x55mm Screws (03)

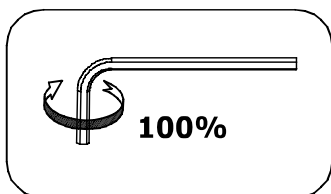
Put the cushions on.

**Adjust alignments and NOW TIGHTEN ALL SCREWS with Allen key (07).**



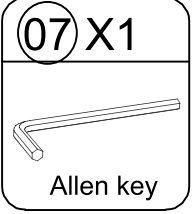
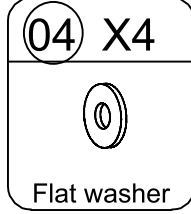
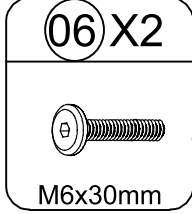
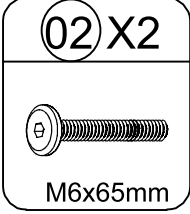
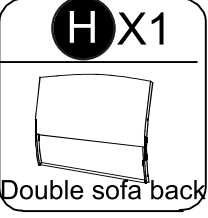
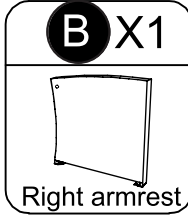
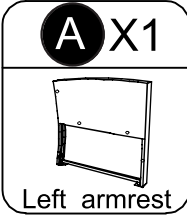
**x2**

**FINISH**



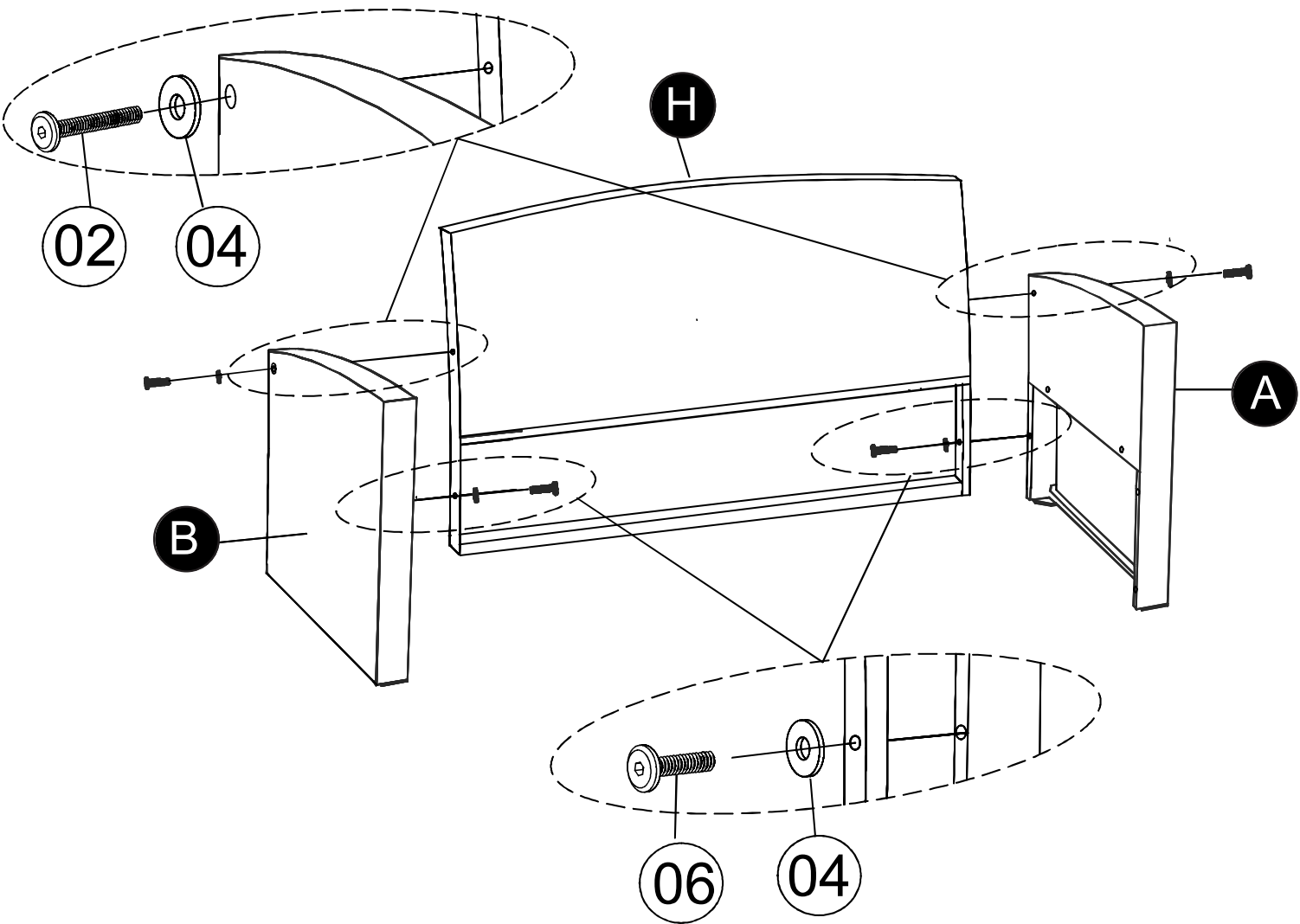


# Step 5



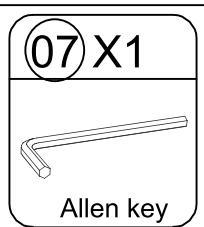
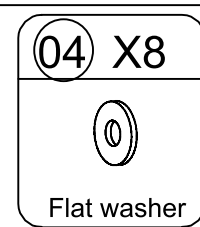
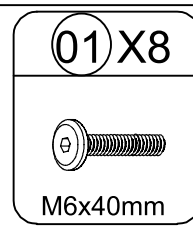
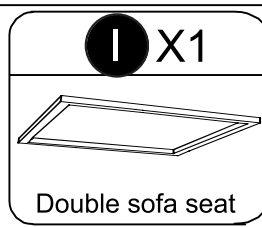
Fix part H with part A and part B with M6x65mm Screws (02) and M6x30mm Screws (06) and Flat Washers (04). Use Allen key (07).

**DO NOT FULLY TIGHTEN.**



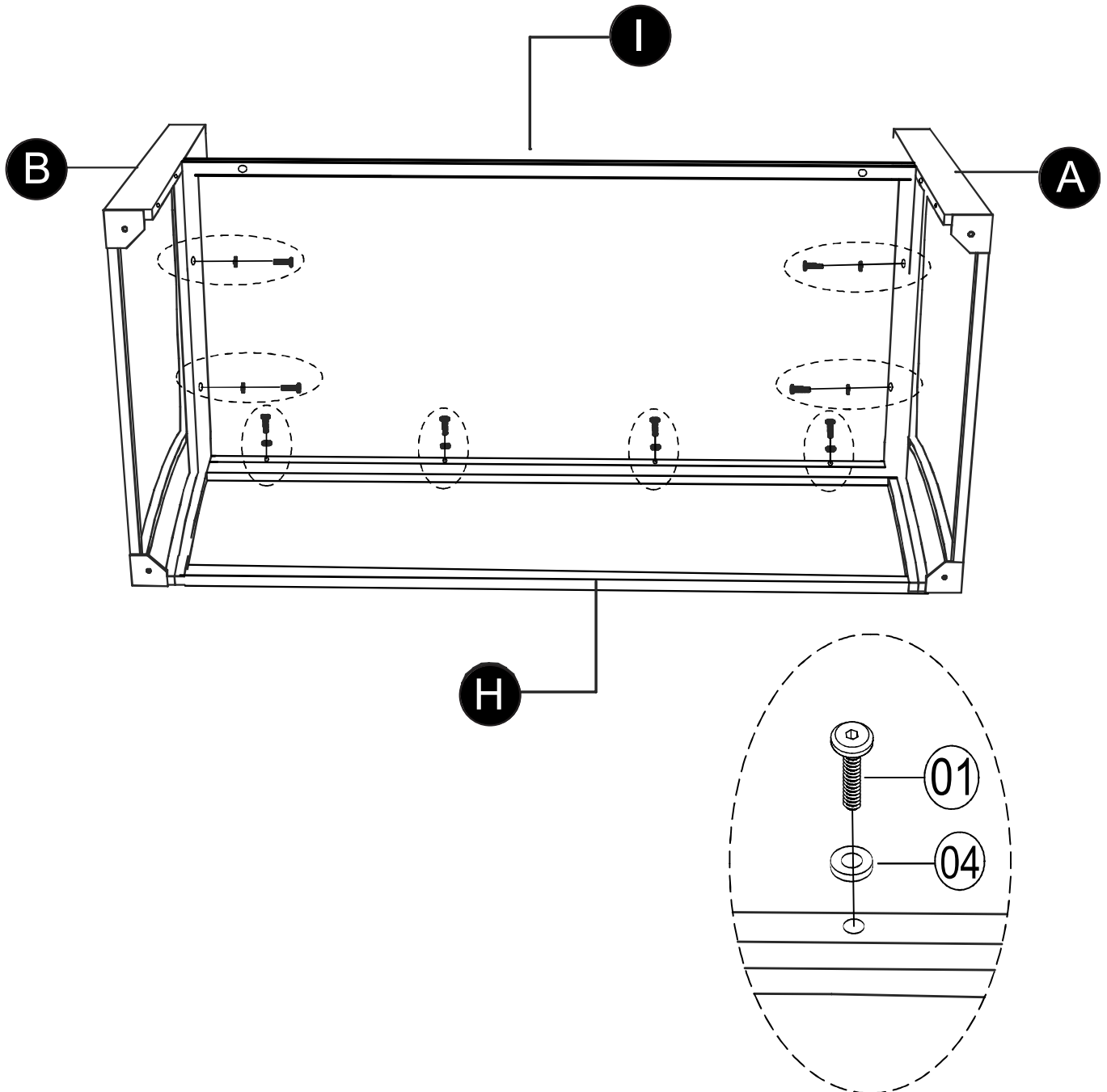


## Step 6



Fix part I with part A and part B and part H with M6x40mm Screws (01) and Flat Washers (04). Use Allen key (07).


**DO NOT FULLY TIGHTEN.**






# Step 7

**J** X1




Double sofa side panel

**01** X2




M6x40mm

**06** X3




M6x30mm

**04** X5



Flat washer

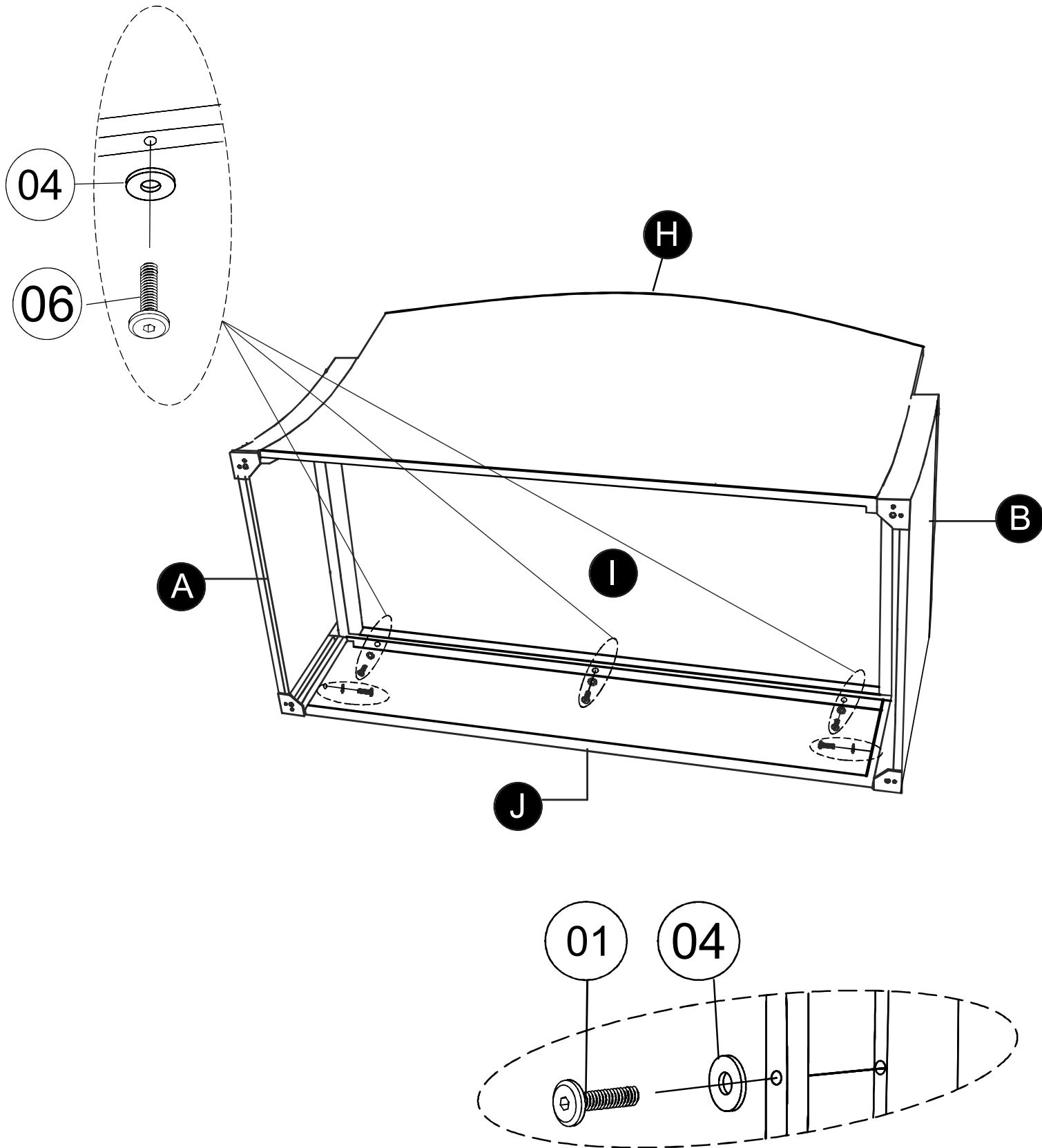
**07** X1



Allen key

Fix part J with part A and part B and part I with M6x30mm Screws (06) and M6x40mm Screws (01) and Flat Washers (04). Use Allen key (07).


**DO NOT FULLY TIGHTEN.**






# Step 8

**K** X1




Seat cushion

**G** X2



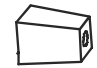
Back cushion

**03** X4



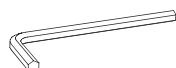
M6x55mm

**05** X4



Plastic feet

**07** X1

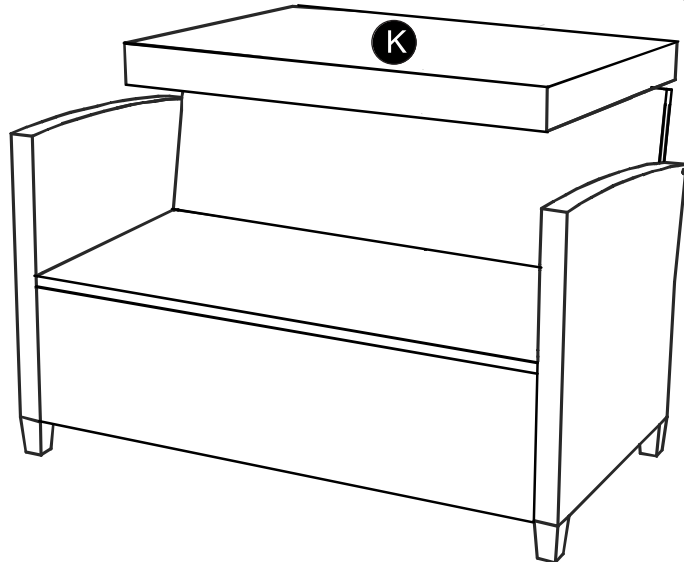
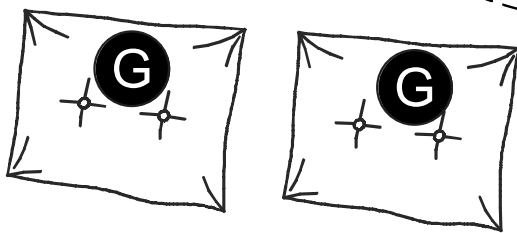
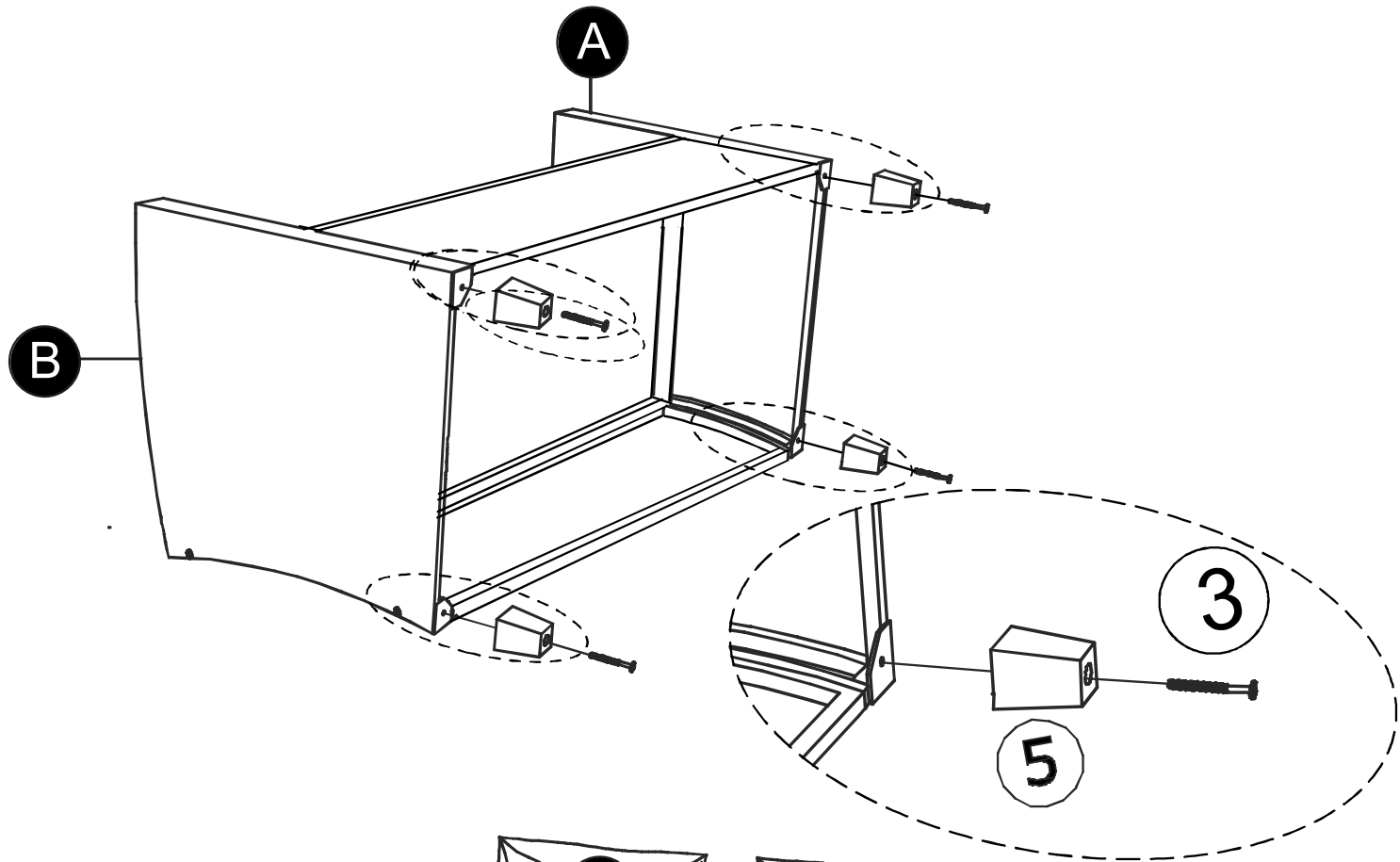


Allen key

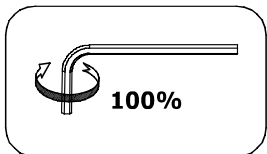
Fix part 05 with part A and part B with M6x55mm Screws (03)

Put the cushions on.

**Adjust alignments and NOW TIGHTEN ALL SCREWS with Allen key (07).**

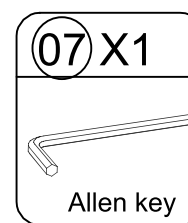
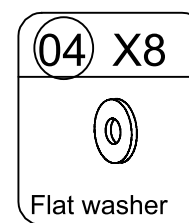
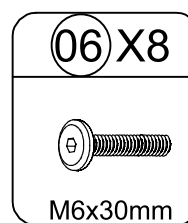
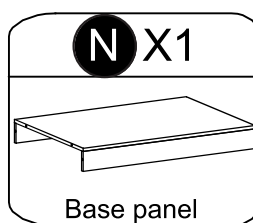
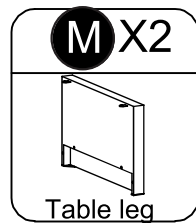


**FINISH**



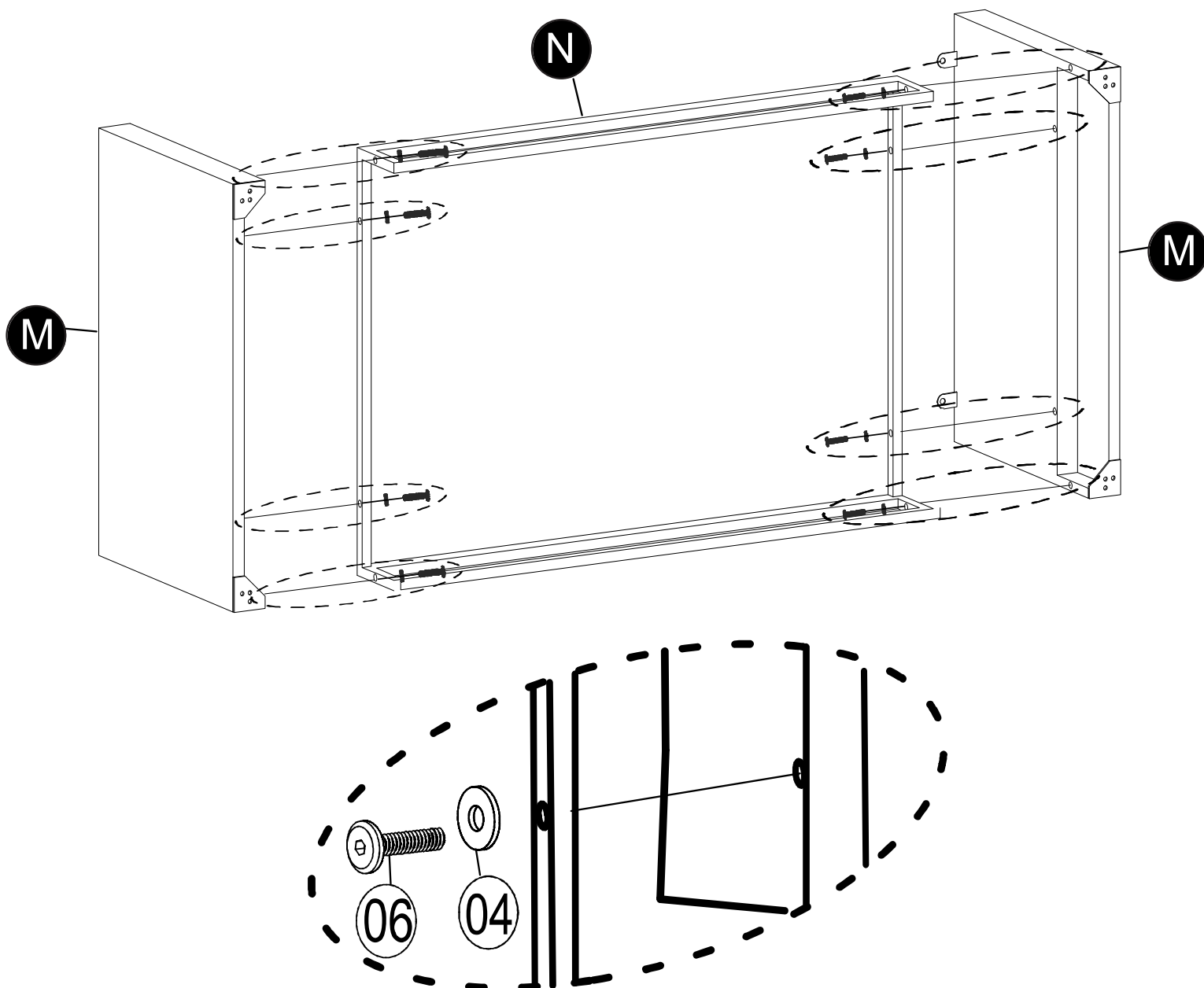


## Step 9




Fix part M with part N with M6x30mm Screws (06) and Flat Washers (04). Use Allen key (07).

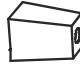
**DO NOT FULLY TIGHTEN.**






# Step 10

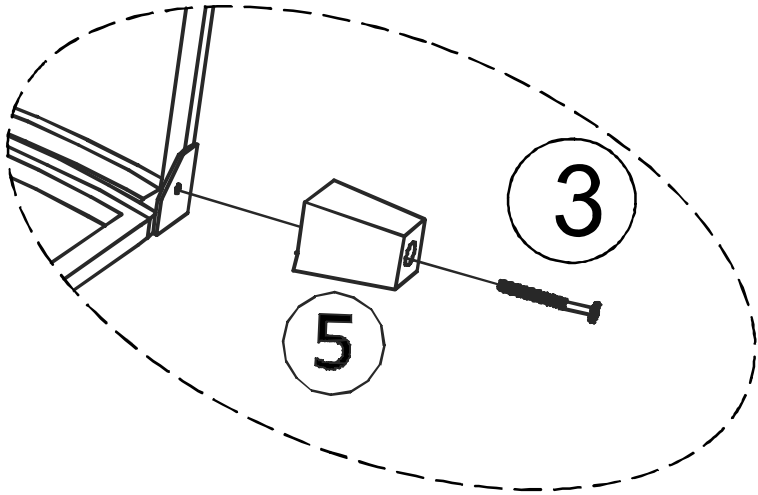
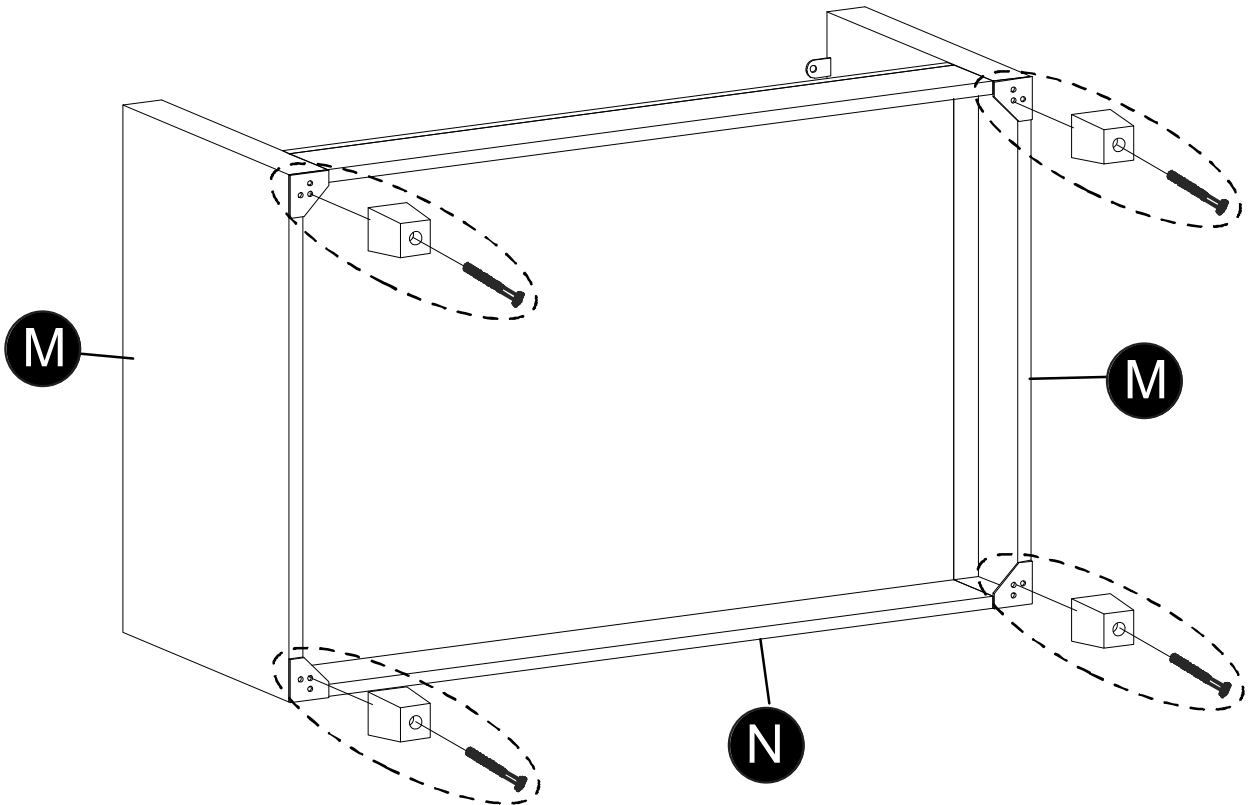
03 X4  
  
M6x55mm

05 X4  
  
Plastic feet

07 X1  
  
Allen key

Fix part 05 with part M with M6x55mm Screws (03)


**Adjust alignments and NOW TIGHTEN ALL SCREWS with Allen key (07).**





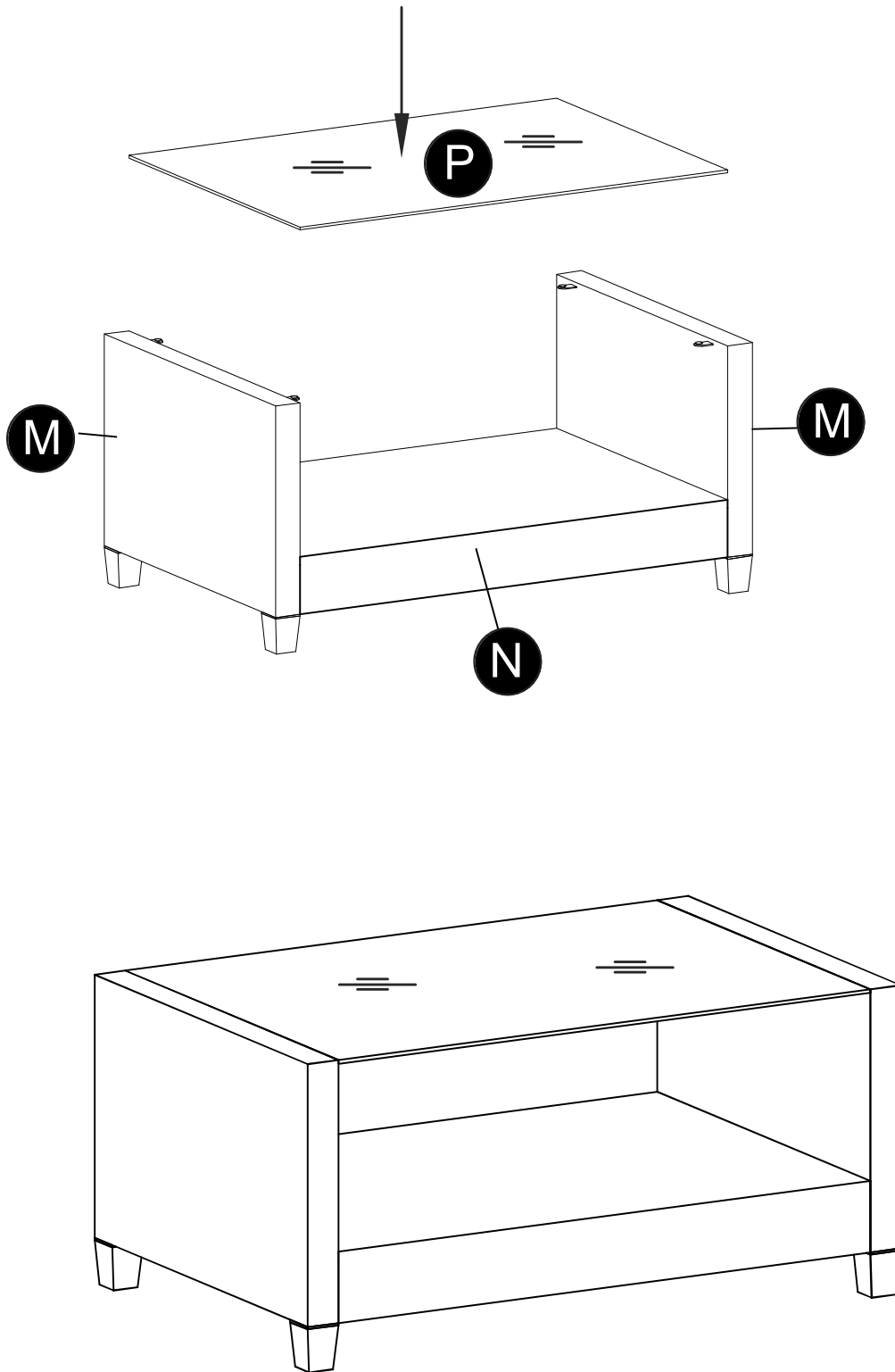
# Step 11

**P** X1



Glass

Put the glass (P) on.



**Installation Completed**

## Warning

Seller is responsible for the product-related issues occurred upon receipt, but will not be responsible for the personal injury, property damage or loss resulting from the incorrect assembly, improper use, inadequate maintenance or neglect of this product.