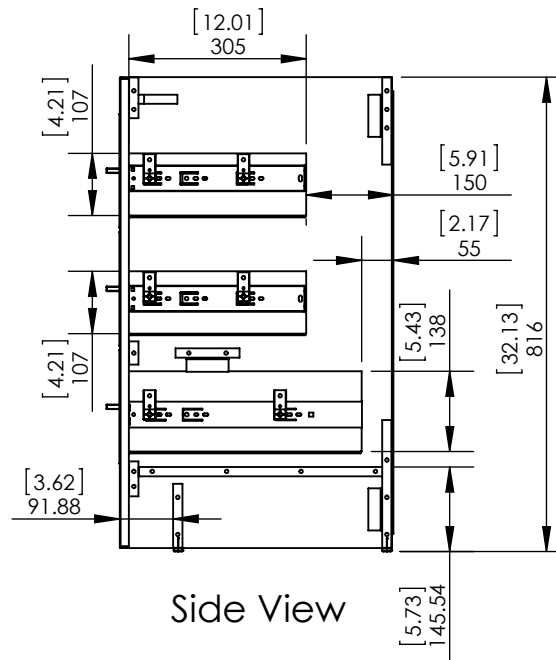
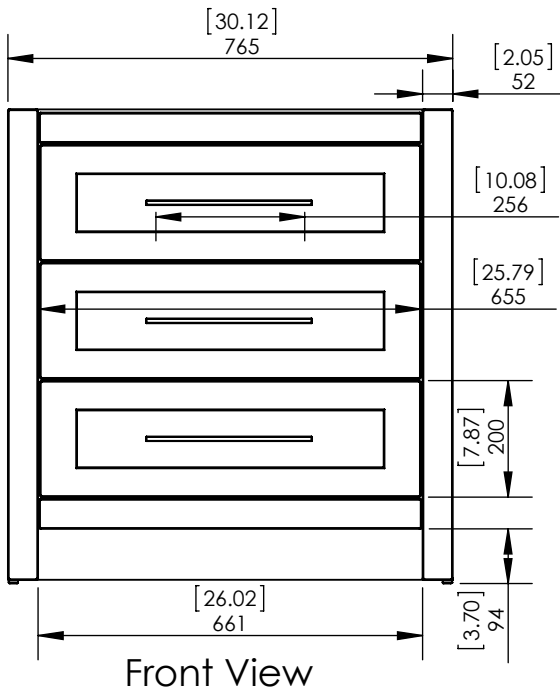
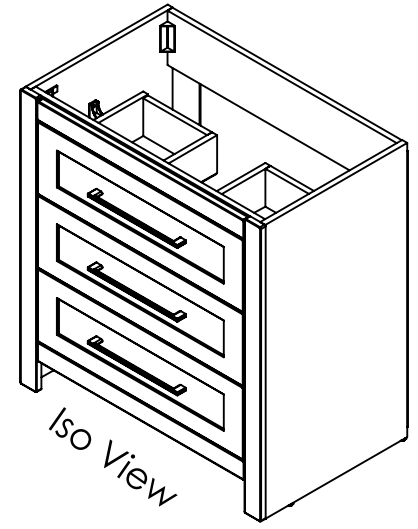
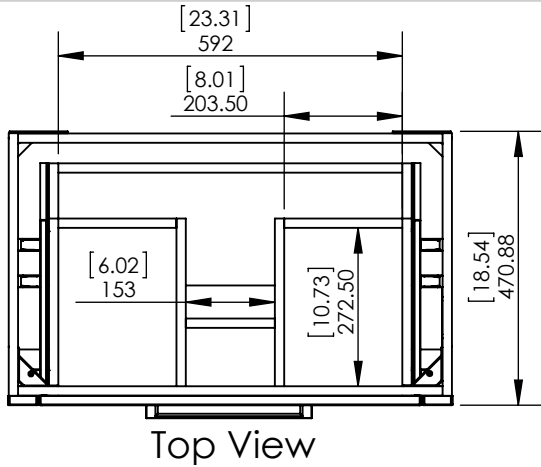


ITEM:	GT30P2	REV	A
NAME:	30in Genta 2Pc		
MATERIAL:	----		

DWR		
REV	ING	
APR	R&D	

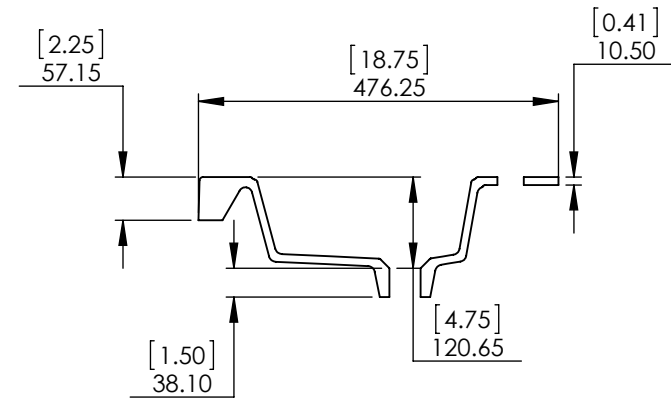
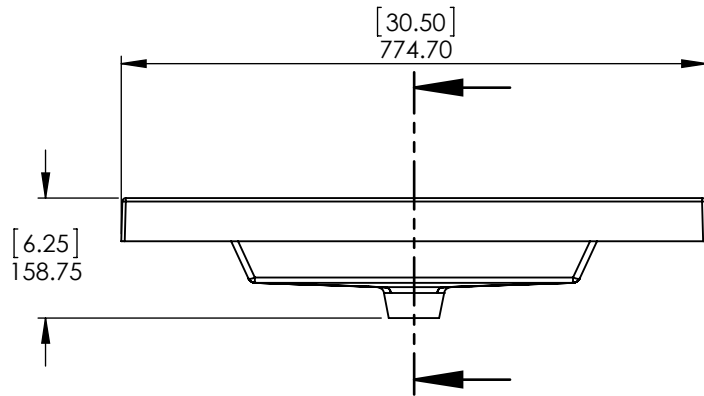
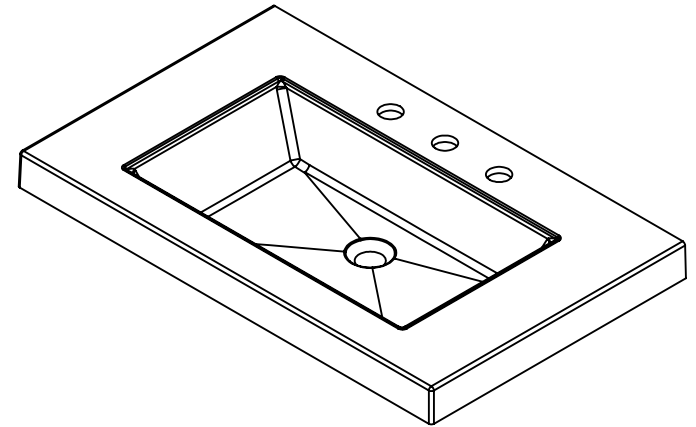
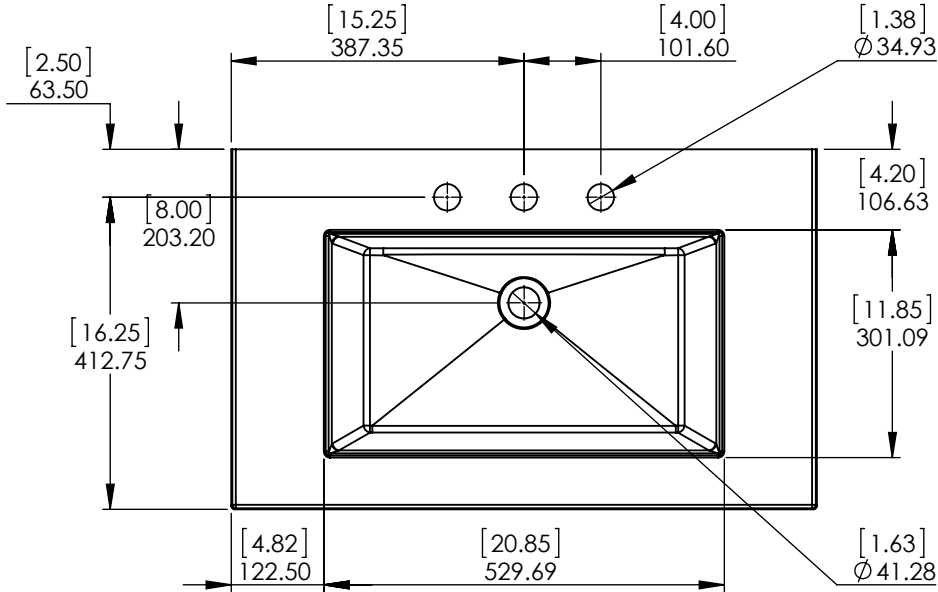


ITEM:	GT30P2	REV	A
NAME:	30in Genta 2Pc		
MATERIAL:	----		

DWR		
REV	ING	
APR	R&D	

ITEM TYPE	ITEM ID	ITEM DESCRIPTION	DRAWING STATUS
REFERENCE		Vtop Oslo 30.5x18.75in 8in	R&D

Rev #	Approved by	Change
0	R. Rubio	Released



NOTE: MAX. WARPAGE TOLERANCE 1/8"

PROPRIETARY AND CONFIDENTIAL
 THE INFORMATION CONTAINED IN THIS DRAWING IS THE SOLE PROPERTY OF WOODCRAFTERS. ANY REPRODUCTION IN PART OR AS A WHOLE WITHOUT THE WRITTEN PERMISSION OF WOODCRAFTERS IS PROHIBITED.

UNLESS OTHERWISE SPECIFIED
 DIMENSIONS ARE IN MM. AND (INCHES)
 TOLERANCES ARE
 +0.125 [3.175] -0.125 [-3.175]
 SCALE:1:10

	NAME	DATE
DRAWN	R. Rubio	5/31/19
CHECKED	R. Rubio	5/31/19
ENG APPR.	R. Rubio	5/31/19
MFG APPR.	C. Leal	5/31/19

Wood Crafters

SIZE DWG. NO. **A** Vtop Oslo 36.5x18.75 8in

SHEET 1 OF 1 REV: **0**