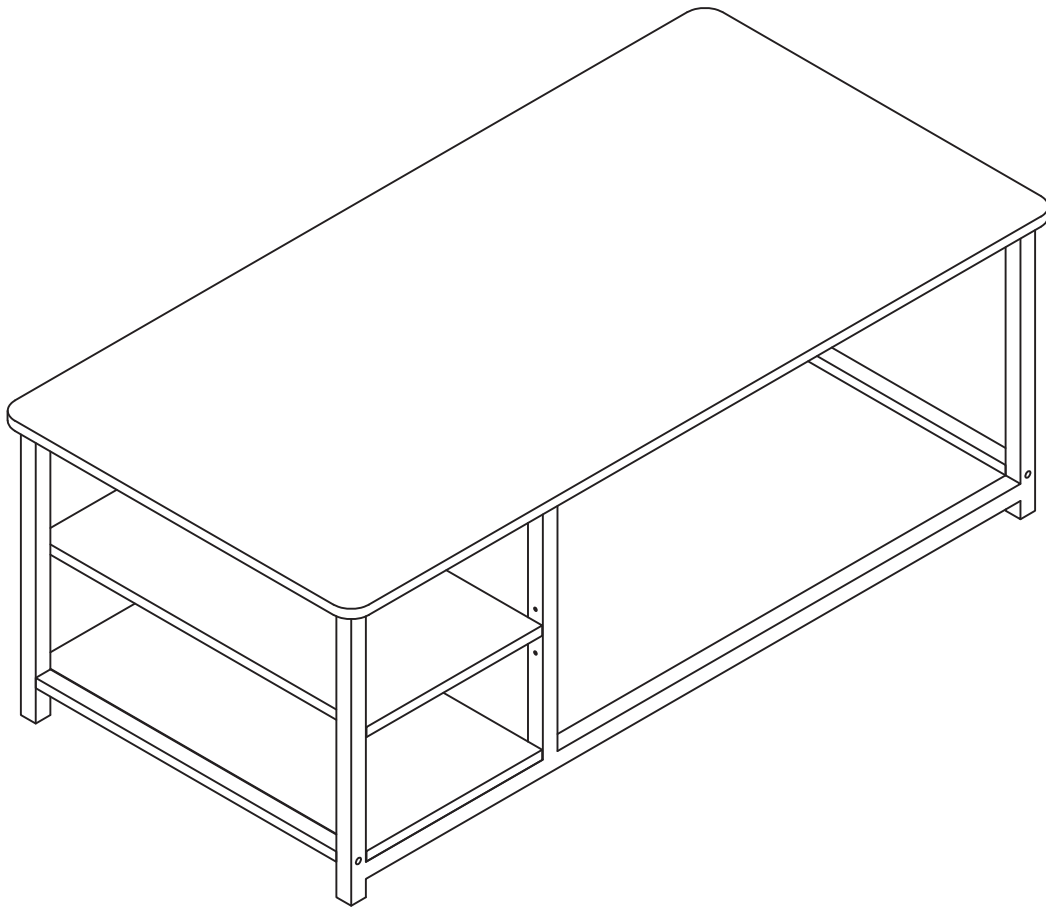


# ASSEMBLY INSTRUCTION

## Coffee Table

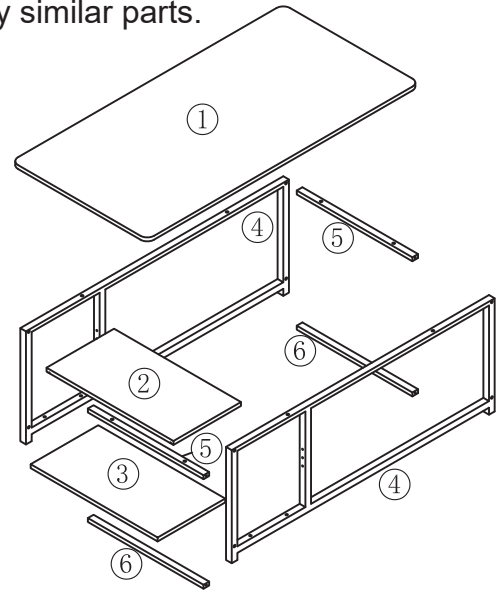
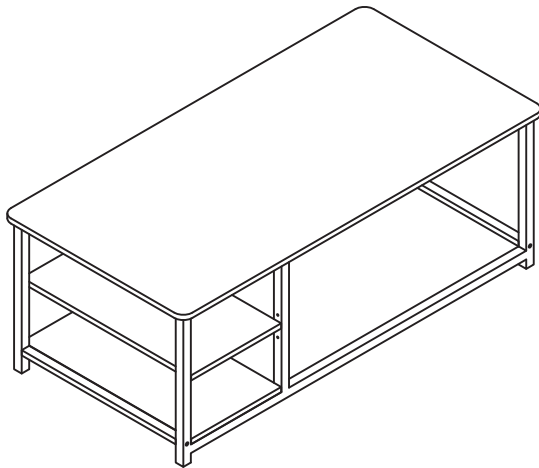
Item NO.: ECT150101、ECT150102、ECT150103、  
ECT150104、ECT150105、ECT150106

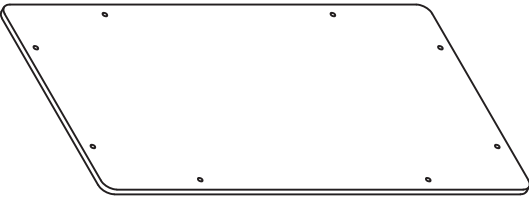
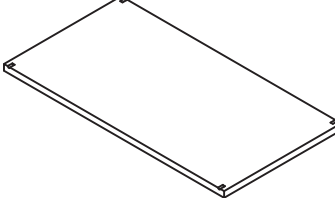
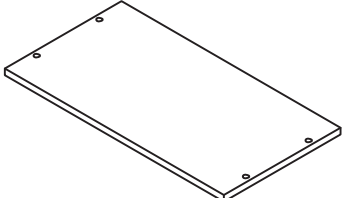
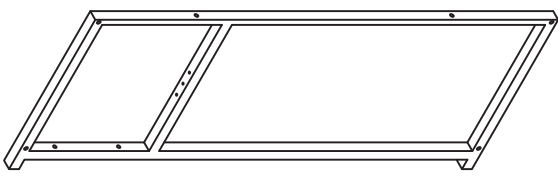
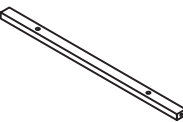
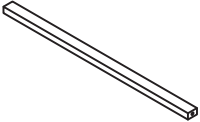
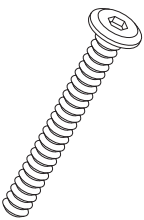
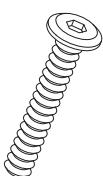

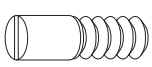

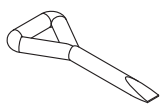


**EXCEFUR FURNITURE**

# Part Identification

While not all parts are labeled, some of the parts will have a label to help distinguish similar parts from each other. Use this part identification to help identify similar parts.

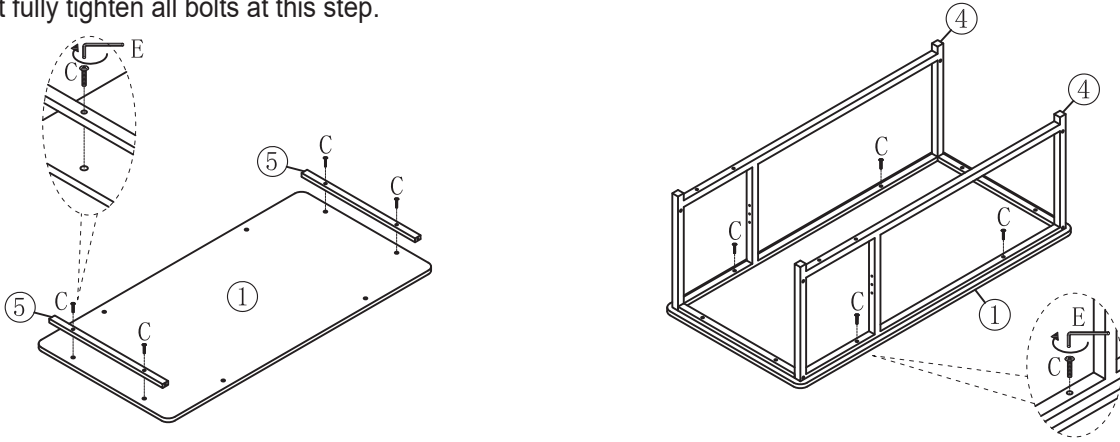


<p>①</p>  <p>Tabletop 1 pc</p>	<p>②</p>  <p>Middle Panel 1 pc</p>	<p>③</p>  <p>Bottom Panel 1 pc</p>			
<p>④</p>  <p>Metal Frame 2 pcs</p>	<p>⑤</p>  <p>Upper Crossbar 2 pcs</p>	<p>⑥</p>  <p>Lower Crossbar 2 pcs</p>			
<p>A</p>  <p>Long Bolt M6*45mm 8 pcs</p>	<p>B</p>  <p>Medium Bolt M6*35mm 4 pcs</p>	<p>C</p>  <p>Short Bolt M6*25mm 8 pcs</p>	<p>D</p>  <p>Threaded Pin Ø6*8-M6*8mm 4 pcs</p>	<p>E</p>  <p>Allen Key 4mm 1 pc</p>	<p>F</p>  <p>Screwdriver 70*30*5mm 1 pc</p>

# Step 01

NOTE: DO NOT fully tighten all bolts at this step.  
Product support email: alan@excefur.com

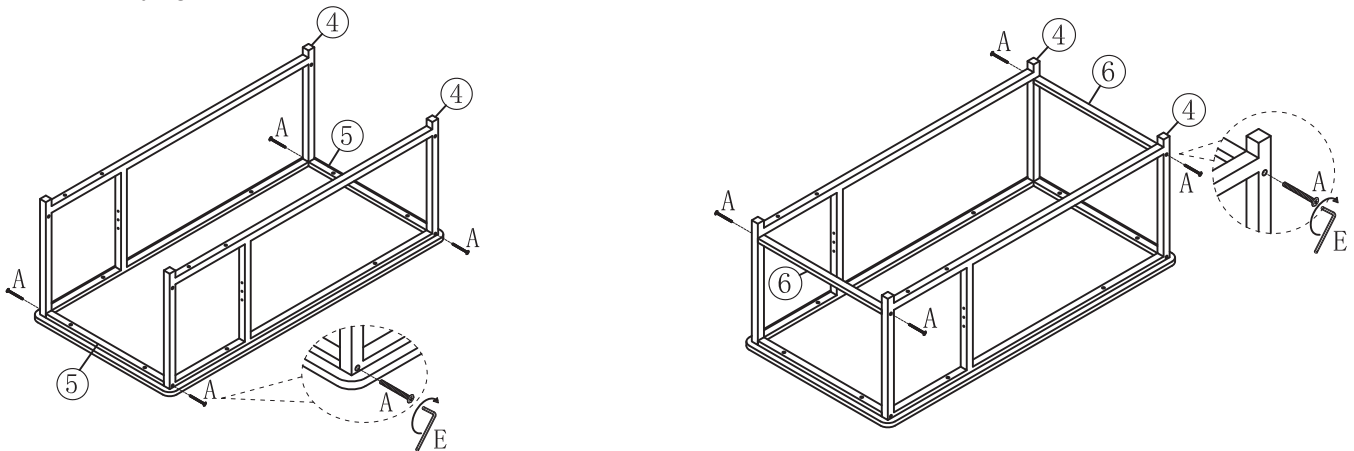
- 1.1 Lay the Tabletop(①) on a clean smooth surface such as carpet or cardboard. Attach and align two Upper Crossbars(⑤) to the Tabletop(①) with Short Bolts(C) by Allen Key(E).
- 1.2 Attach and align two Metal Frames(④) to the Tabletop(①) with Short Bolts(C) by Allen Key(E).  
Do not fully tighten all bolts at this step.



# Step 02

NOTE: DO NOT fully tighten all bolts at this step.  
Product support email: alan@excefur.com

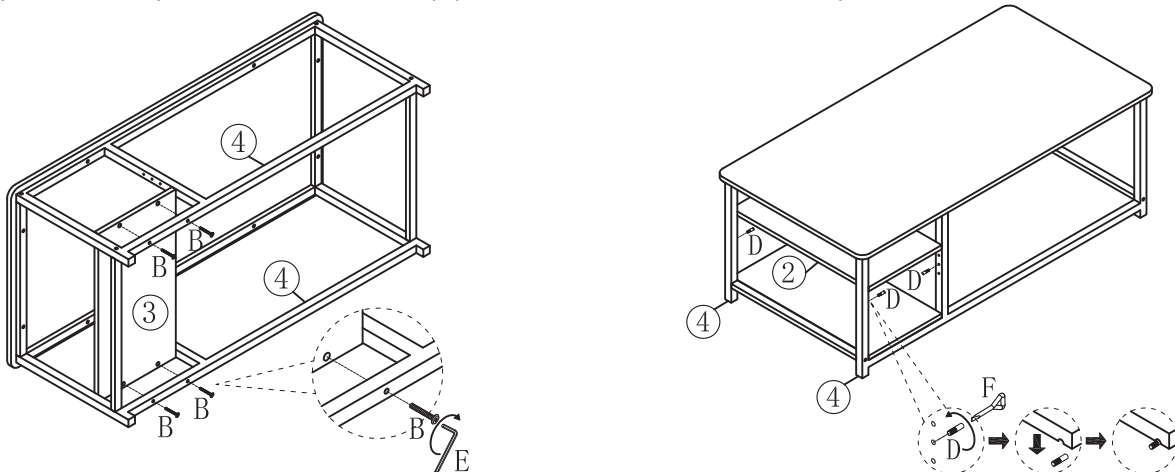
- 2.1 Fix the Metal Frames(④) to the Upper Crossbars(⑤) with Long Bolts(A) by Allen key(E).
- 2.2 Fix two Lower Crossbars(⑥) to the Metal Frames(④) with Long Bolts(A) by Allen key(E).  
Do not fully tighten all bolts at this step.



# Step 03

NOTE: If holes don't align, loosen all bolts and adjust the holes slightly. After all holes are aligned, fully tighten all bolts.

- 3.1 Attach and align the Bottom Panel(③) to the Metal Frames(④) with Medium Bolts(B) by Allen key(E).  
If holes don't align, loosen all bolts and adjust the holes slightly. After all holes are aligned, fully tighten all bolts.
- 3.2 Adjust and screw four Threaded Pins(D) to the Metal Frames(④) by Screwdriver(F) according to your height requirements. Then carefully slide the Middle Panel(②) onto the Threaded Pins(D). Make sure the Middle Panel(②) is level and fully supported by all four Threaded Pins(D). And then complete the assembly.



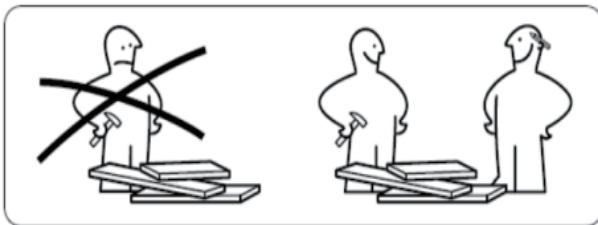


Thank you for purchasing EXCEFUR Coffee Table. If any part is missing or damaged, please do not hesitate to contact us, we will send you the replacement immediately.

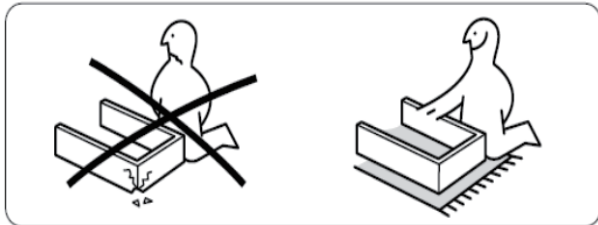
**Email: [alan@excefur.com](mailto:alan@excefur.com)**

## ASSEMBLY TIPS

1. Please read the assembly instructions first and become familiar with the parts.
2. Proper assembly of this item requires 2 people.



3. Unpack and assemble this unit in an spacious area, assemble the unit on top of the empty carton or carpet to prevent scratches.



4. To avoid accidentally discarding small parts or hardware, **DO NOT** dispose of any contents until assembly is completed.
5. **Do not fully tighten all bolts until all parts are in place.** Failure to follow these instructions may cause the bolts to misalign during assembly.

## CARE INSTRUCTIONS

- (1) Hardware may loosen overtime. Periodically check that all connections are tight.
- (2) Wipe with a soft, dry cloth. To protect finish, avoid the use of chemicals and household cleaners.
- (3) All hot serving dishes should be placed on a pad.
- (4) Any liquid spilled onto the furniture should be cleaned up immediately with a dry cloth.