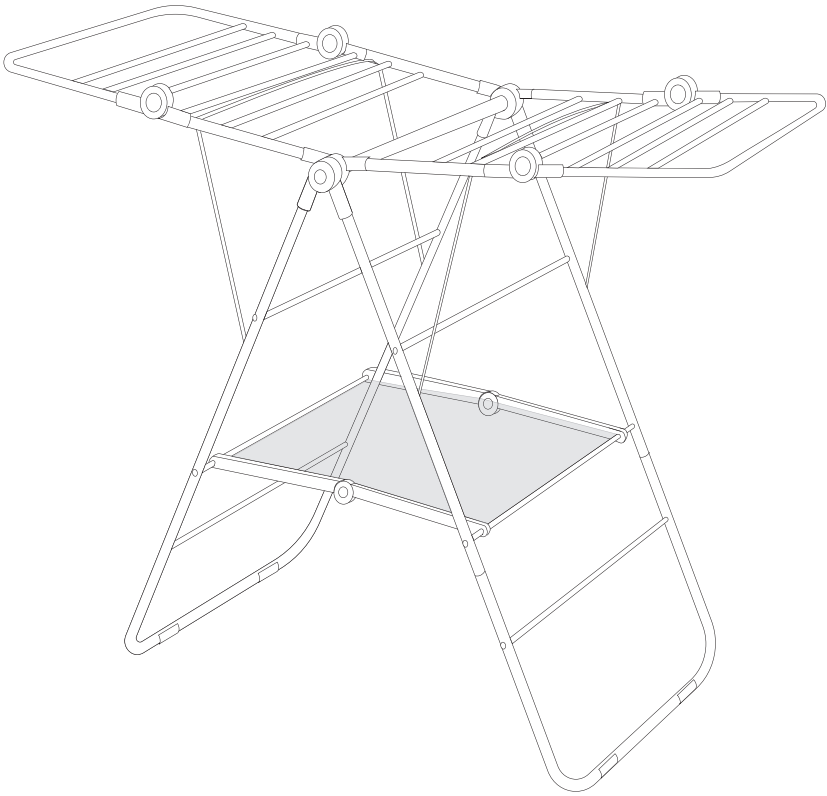


# narrow folding wing drying rack

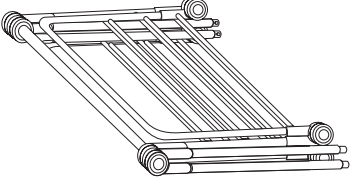
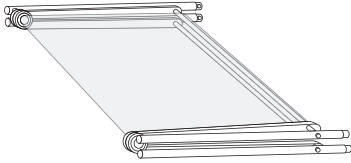
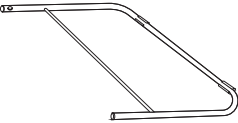
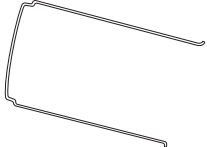


**46.96" L x 18.29" W x 37.26" H**

**NOTE: total unit has a 50lbs max weight capacity when evenly loaded  
If one wing is loaded far more, watch for tipping**

---

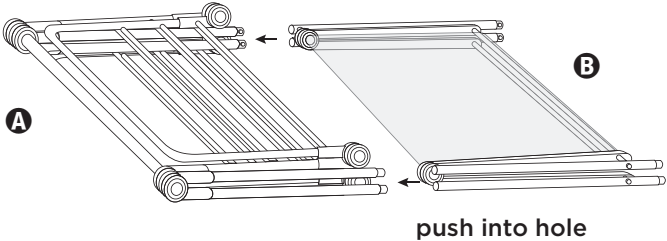
# PARTS LIST

PART/ILLUSTRATION	(QTY)	DESCRIPTION
<b>A</b> 	(1)	wing top shelf and legs
<b>B</b> 	(1)	middle mesh shelf and legs
<b>C</b> 	(2)	bottom legs
<b>D</b> 	(2)	support bars

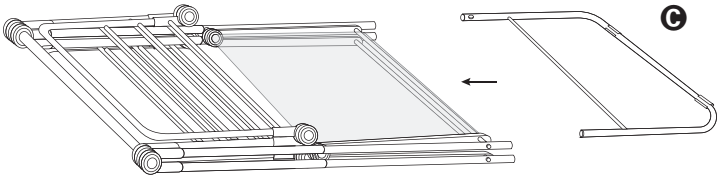
# ASSEMBLY

**1** NOTE: best to assemble flat on the floor

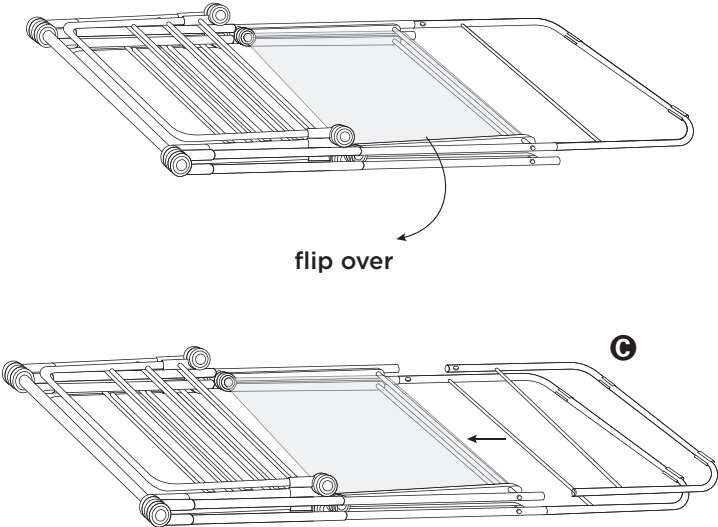
TIP: make sure mesh shelf is facing up with seams on underside



**2**



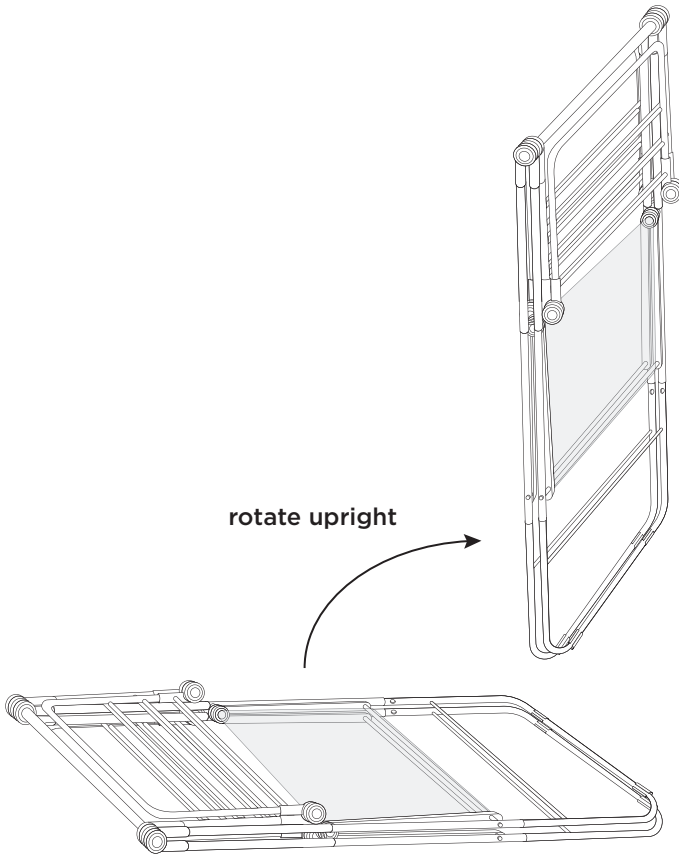
flip over



insert leg into bottom hole

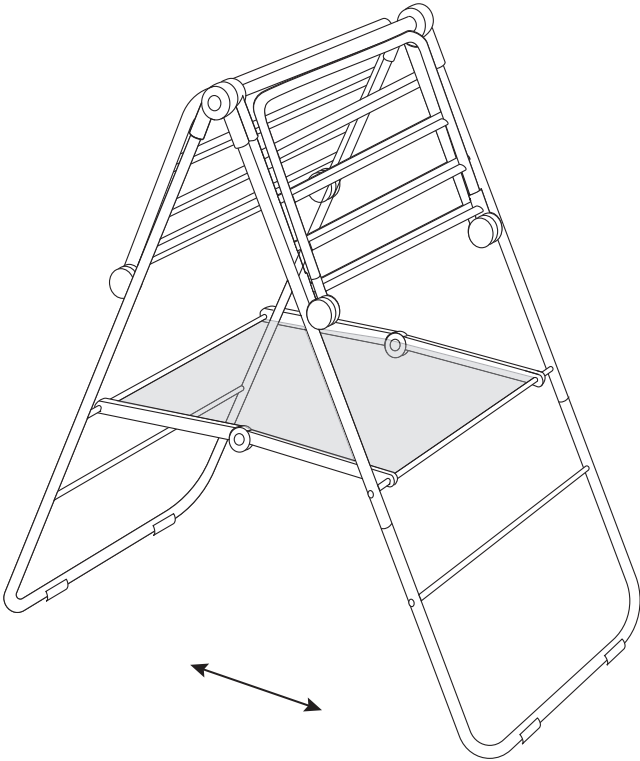
# ASSEMBLY

3



# ASSEMBLY

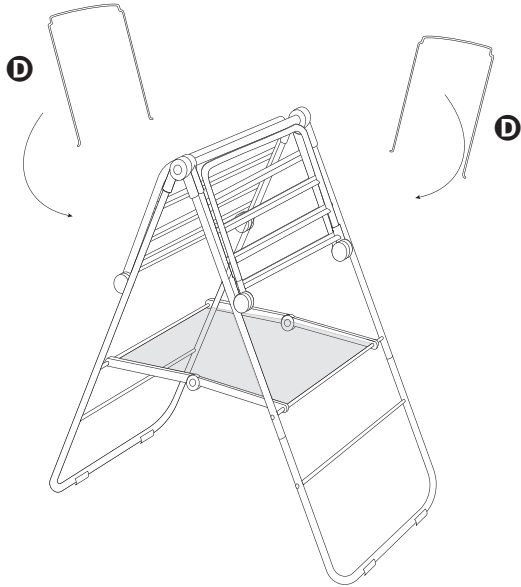
4



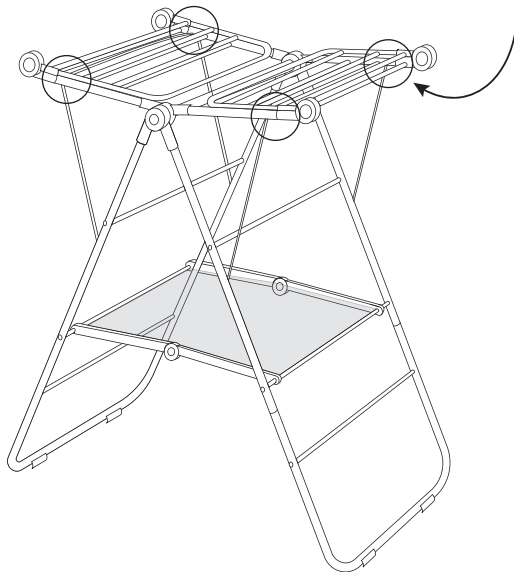
open legs

# ASSEMBLY

- 5** insert support bars into holes on legs



make sure support bars are placed just before the wing fold



# ASSEMBLY

**6** wings can be used fully opened, half folded or one down

