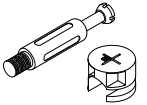
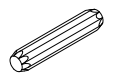


A



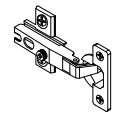
24PCS

B



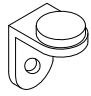
24PCS

C



4PCS

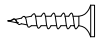
D



4PCS

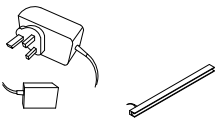
E

3.5*14



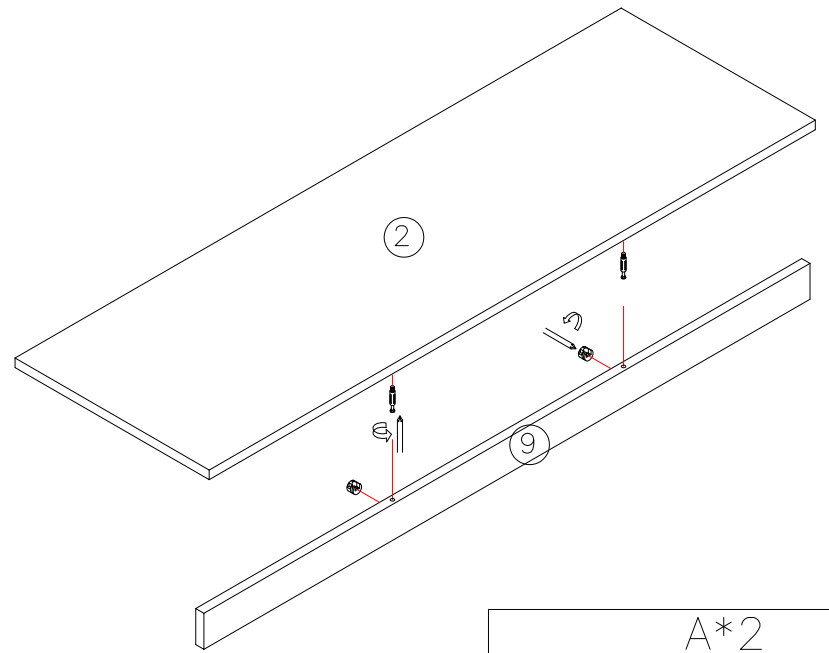
28CS

LED



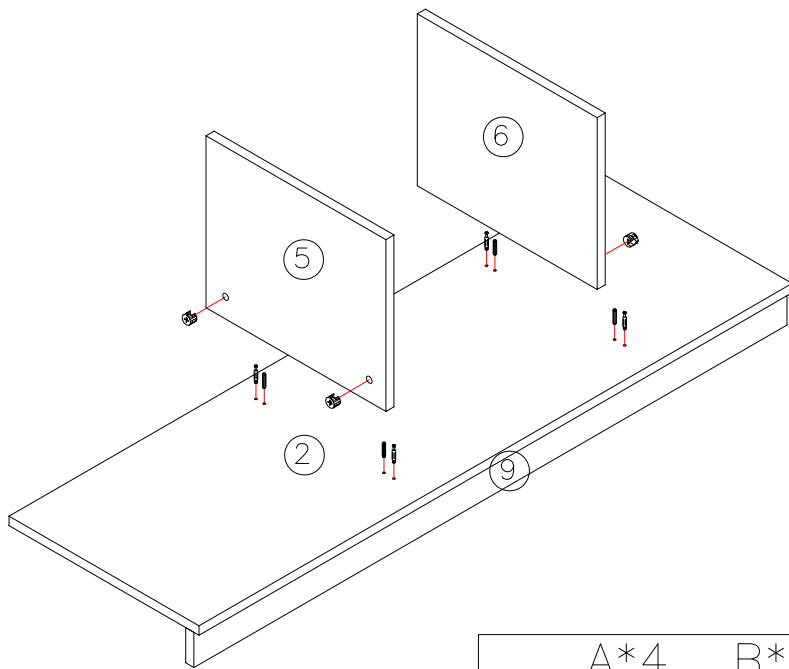
1PCS

1



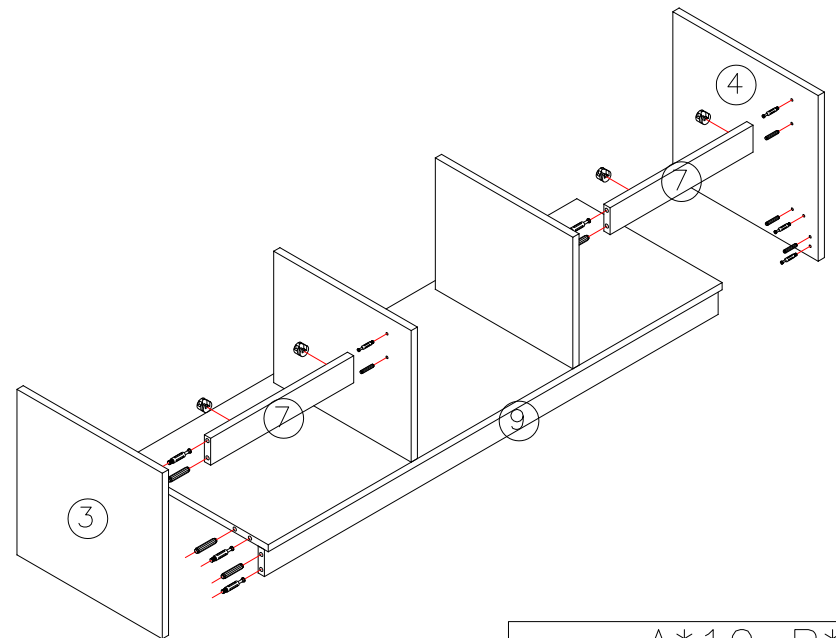
A*2

2



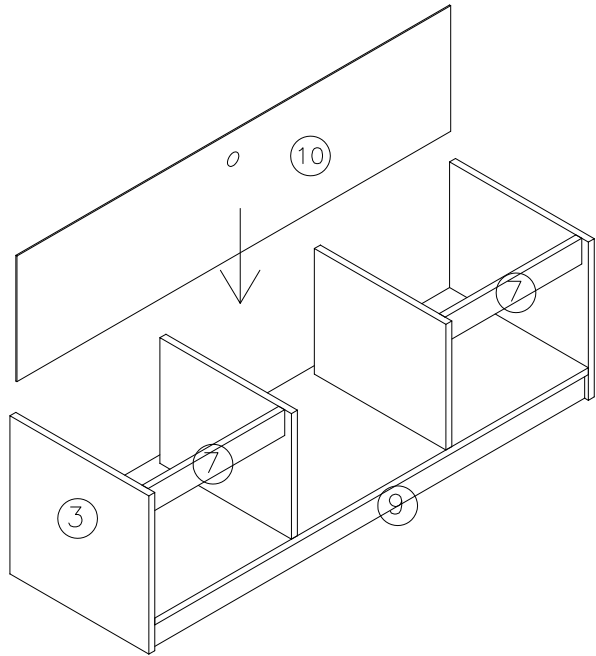
A*4 B*4

3

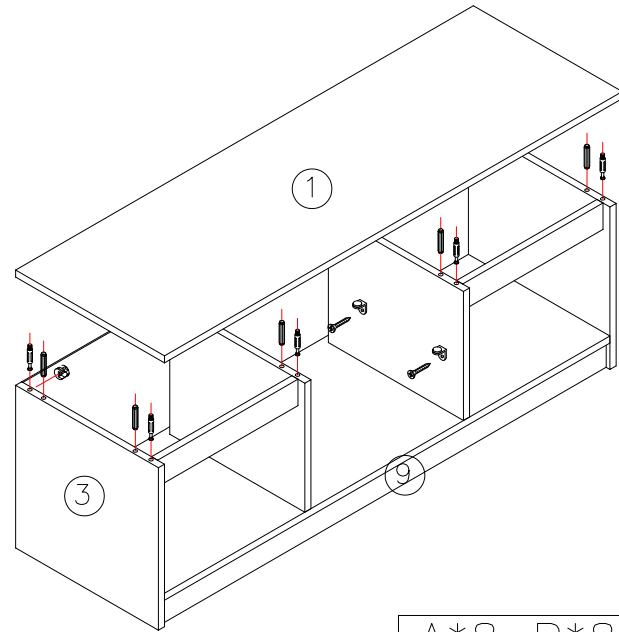


A*10 B*10

4

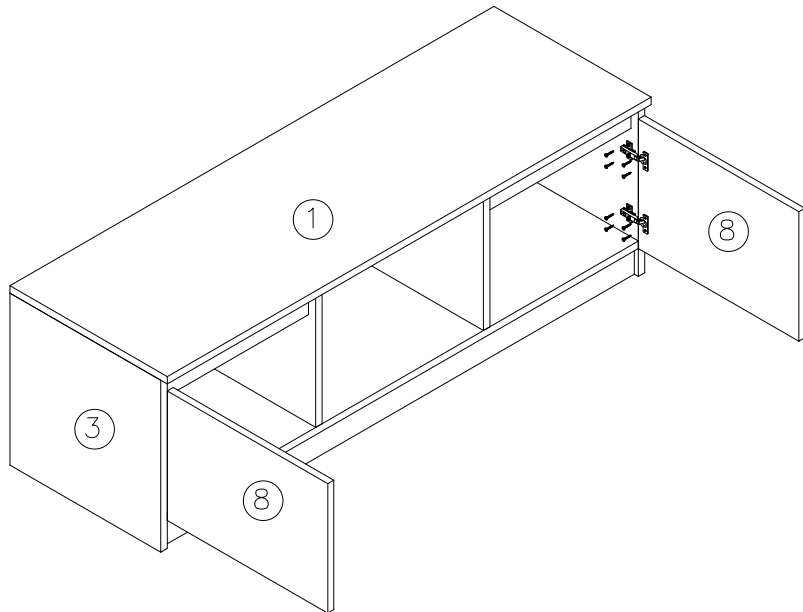


5



A*8 B*8 D*4 E*4

6



C*4 E*16

7

The following
installation
LED lights

