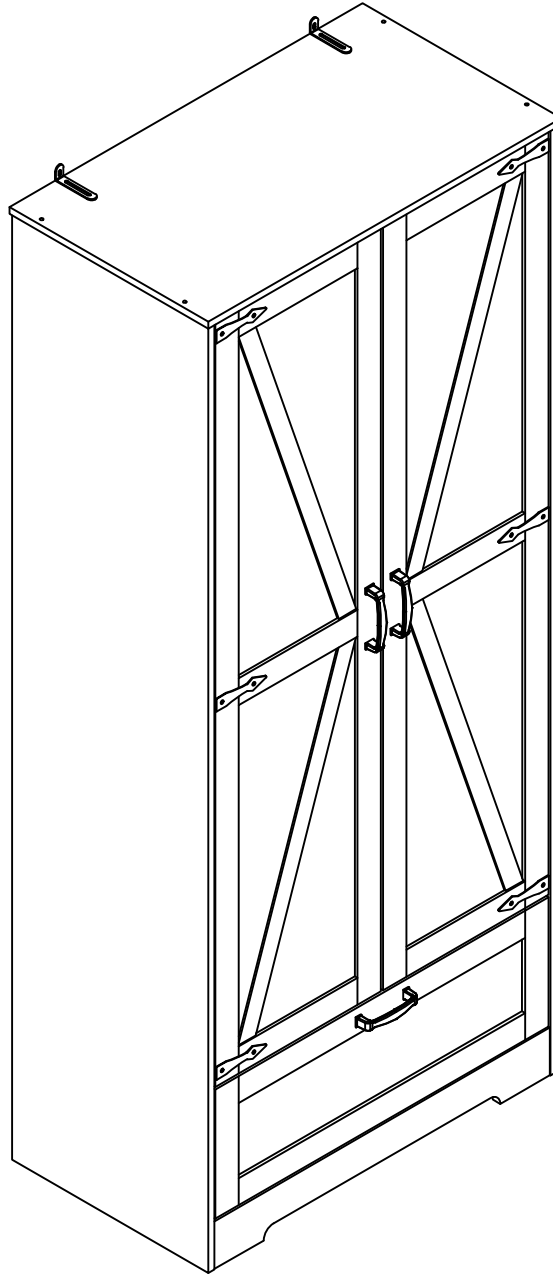


Instruction Manual

Pantry Cabinet



Thank you for shopping with us!

If any part is missing, broken upon receipt or you need any help from us.
For the FASTEST SOLUTION, please FIRSTLY CONTACT US

Power tool is recommended for the assembly.

Notes:

1. ASSEMBLY PREPARATION AND TIPS FOR ASSEMBLY

- 1). Remove all packaging materials, staples and packing straps from the carton.
- 2). Refer to Parts List and Hardware List, and ensure parts and hardware are correct before assembly.
Contact customer service for missing parts.
- 3). Place all wooden parts on a clean, flat and soft surface (e.g. carpet or rug) to prevent scratch and damage to parts.
- 4). Allow ample room for assembly and assemble the product near where the product will be placed.
- 5). During assembly, do not over-tighten any fittings as this may cause damage.
- 6). Always place the product on a flat, level surface.

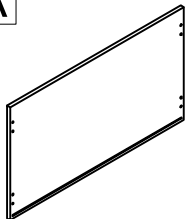
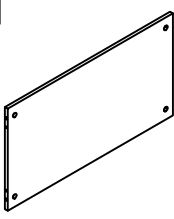
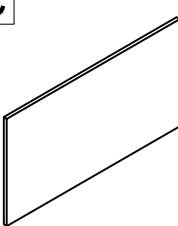
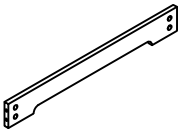
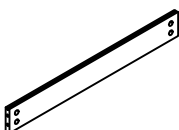
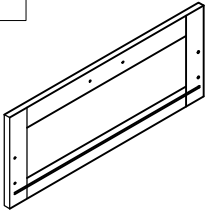
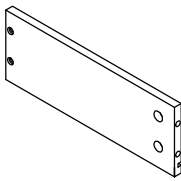
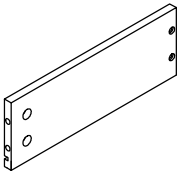
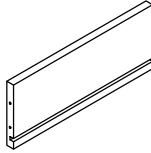
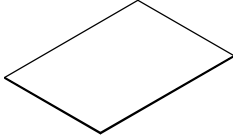
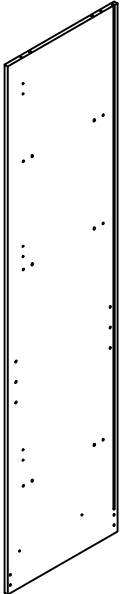
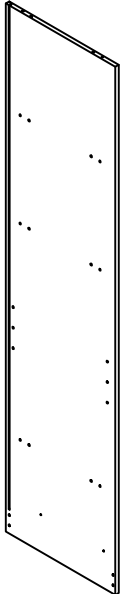
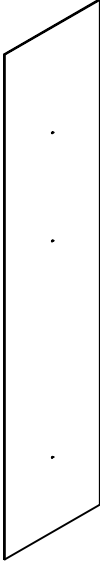
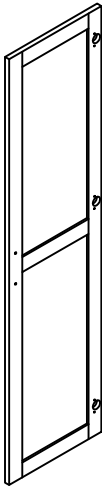
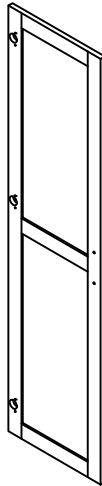

2. CARE AND MAINTENANCE

- 1). KEEP ALL HARDWARE PARTS OUT OF REACH OF CHILDREN.
- 2). Wipe clean with a soft, dry cloth; avoid the use of harsh chemicals or household cleaners as they may damage the exterior finish of the furniture.
- 3). Hardware may loosen over time. Periodically, check that all connections are tight; re-tighten as necessary.







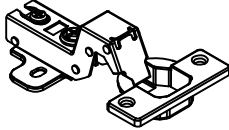
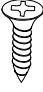
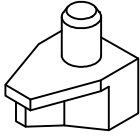
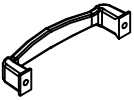
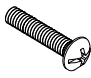
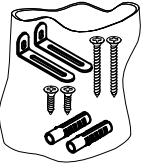
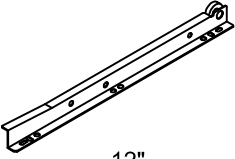
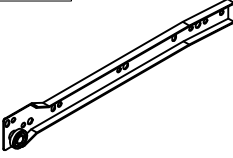
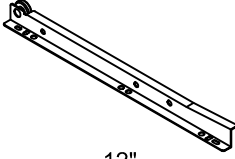
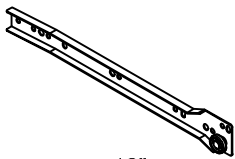

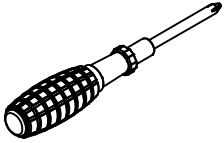
3. TIPS TO PROTECT & CARE FOR YOUR FURNITURE

- 1). Avoid placing your furniture in direct sunlight, as sunlight causes fading.
- 2). Use a protective pad when writing on the furniture surface.
- 3). Use cutting boards and trivets for food preparation in order to avoid damaging the top for the unit.

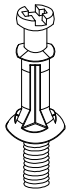
PART LIST

					
<p>Top Panel 1 PC</p>	<p>Fixed Shelf Panel 3 PCS</p>	<p>Adjustable Shelf 1 PC</p>	<p>Front Foot Board 1 PC</p>	<p>Rear Foot Board 1 PC</p>	
					
<p>Drawer Front Panel 1 PC</p>	<p>Drawer Left Panel 1 PC</p>	<p>Drawer Right Panel 1 PC</p>	<p>Drawer Back Panel 1 PC</p>	<p>Drawer Bottom Panel 1 PC</p>	
					
<p>Left Panel 1 PC</p>	<p>Right Panel 1 PC</p>	<p>Back Panel 2 PCS</p>	<p>Left Door 1 PC</p>	<p>Right Door 1 PC</p>	<p>1565*12*6mm Back Plastic Strip 1 PC</p>

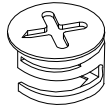
HARDWARE LIST

<p>#1</p>  <p>Ø5*40mm Screw</p>	<p>#2</p>  <p>Ø3.5*30mm Screw</p>	<p>#3</p>  <p>Ø6*30mm Wood Dowel</p>	<p>#4</p>  <p>Ø6*35mm Cam-bolt</p>	<p>#5</p>  <p>Ø15*9mm Cam-lock</p>
4PCS (Extra 1)	4PCS (Extra 1)	16PCS (Extra 2)	24PCS (Extra 3)	24PCS(Extra 3)
<p>#6</p>  <p>Back Bracket</p>	<p>#7</p>  <p>Ø26*10mm Hinge (Big Curved)</p>	<p>#8</p>  <p>Ø3.5*15mm Screw</p>	<p>#9</p>  <p>16*11*Ø5mm Shelf Holder</p>	<p>#10</p>  <p>Handle</p>
14 PCS (Extra 2)	6 PCS	44 PCS (Extra 4)	4 PCS (Extra 1)	3PCS
<p>#11</p>  <p>M4*18mm Round Head Bolt</p>	<p>#12</p>  <p>Safety Strap Kit</p>	<p>#13</p>  <p>12" Left Drawer Slide Set (A)</p>	<p>#14</p>  <p>12" Left Drawer Slide Set (B)</p>	<p>#15</p>  <p>12" Right Drawer Slide Set (A)</p>
6 PCS (Extra 1)	1 SET	1 PC	1 PC	1 PC
<p>#16</p>  <p>12" Right Drawer Slide Set (B)</p>	<p>#17</p>  <p>Ø3.5*12mm Screw</p>	 <p>Phillips Screwdriver</p>		
1 PC	10 PCS (Extra 2)	1 PC		

Instructions For Fastening CAM-BOLT and CAM-LOCK

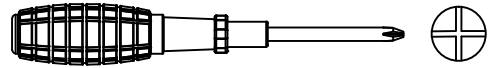


CAM-BOLT

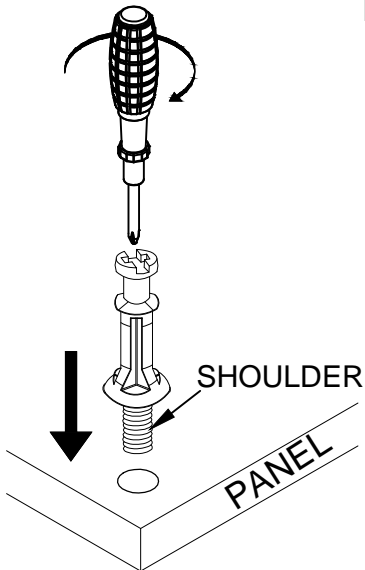


CAM-LOCK

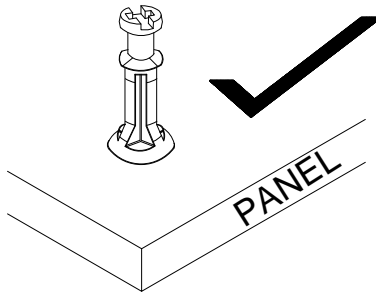
Tools Required



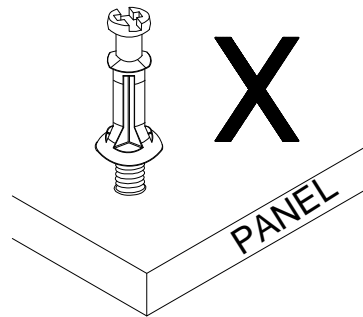
INSERTING AND TIGHTENING CAM-BOLT



Place Cam-bolt on pre-drilled hole and screw in vertically



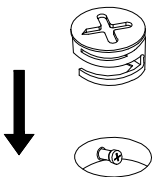
Shoulder is flushed (on the same level) with the panel.



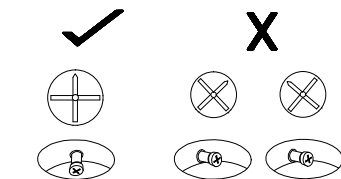
Shoulder is above the panel.

Place Cam-bolt on the designated pre-drilled holes on the panel. Use a Phillips Screwdriver to screw-in Cam-bolt vertically until shoulder is flushed (on the same level) with panel.

INSERTING CAM-LOCK



Insert Cam-lock with arrow align to Cam-bolt head

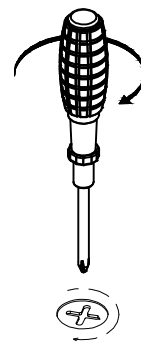


CORRECT

WRONG

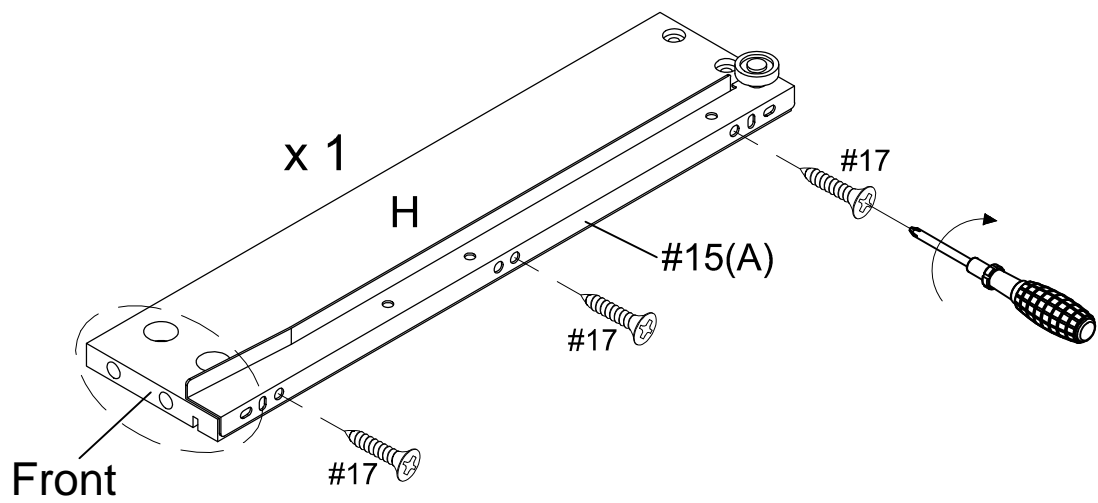
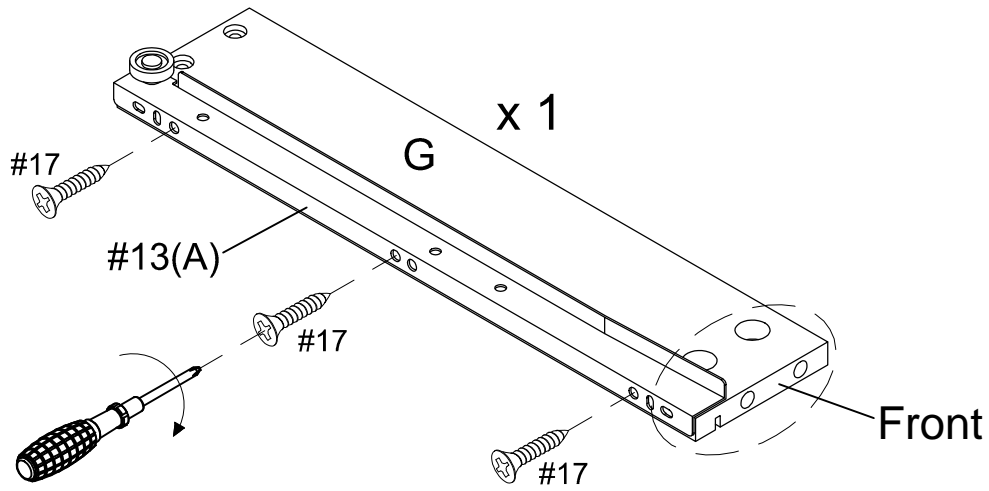
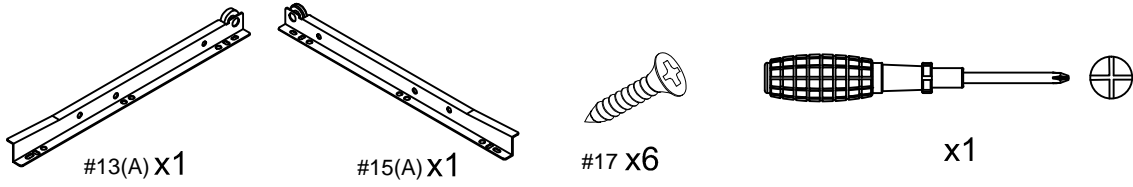
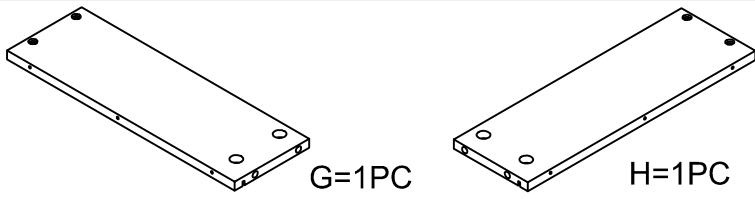
Align the arrow on the Cam-lock to the Cam-bolt head and insert the Cam-lock. Ensure Cam-lock is fully inserted.

TIGHTENING CAM-LOCK

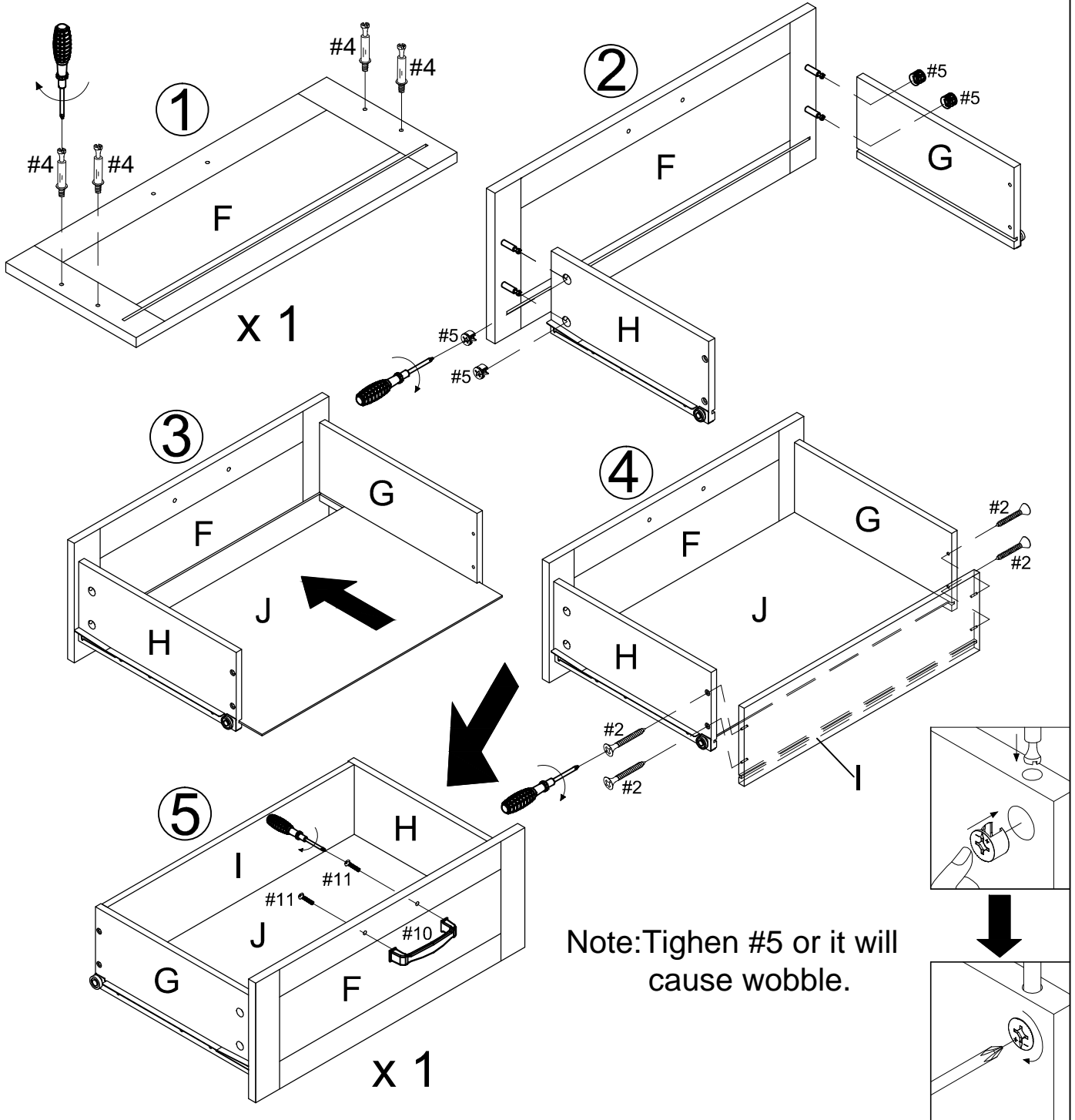
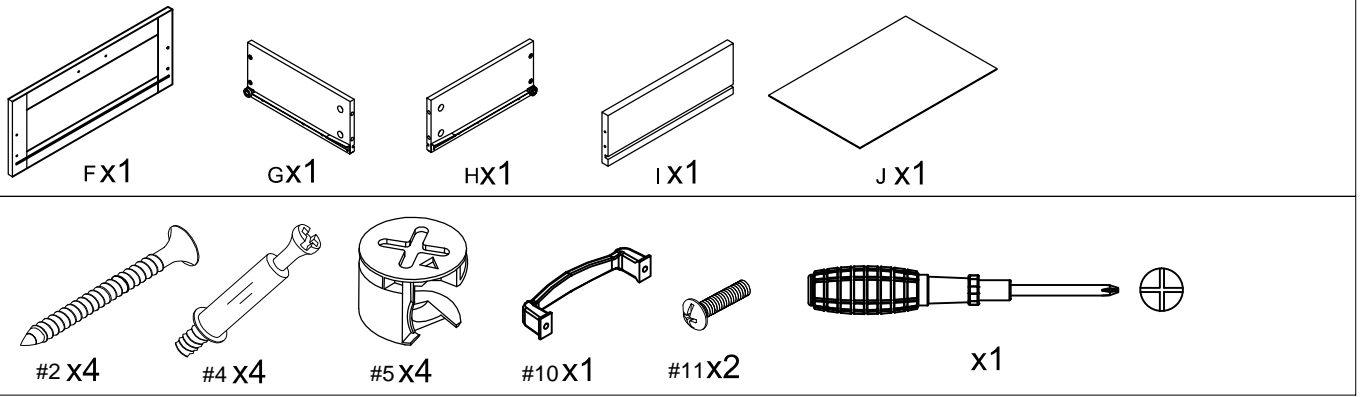


Use a Flat-head Screwdriver to turn Camlock clockwise so it locks onto the head of the Cam-bolt. Turn until it is snug (about 3/4ths of a turn) -- over-tightening could damage Cam-lock or/and Cam-bolt.

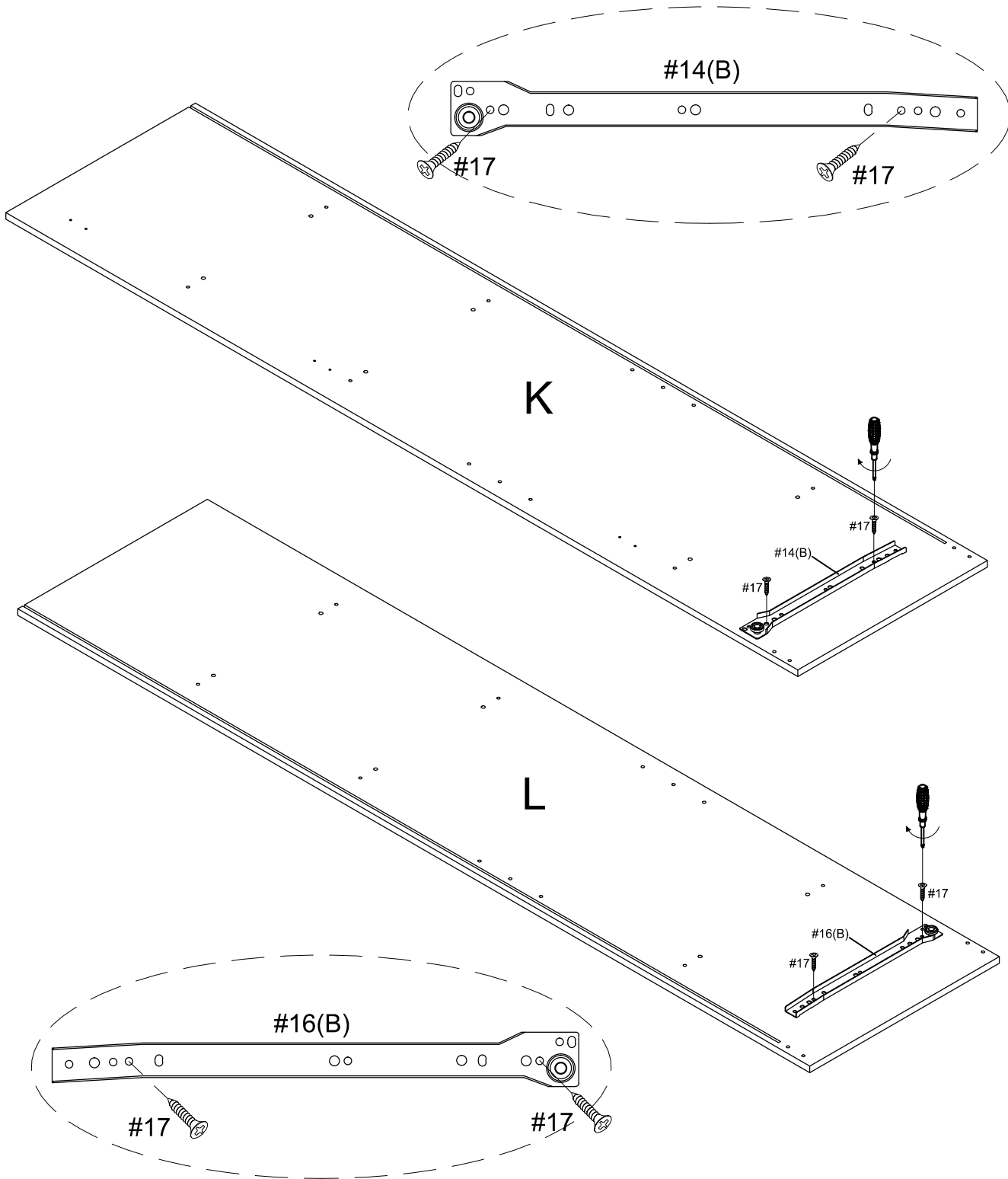
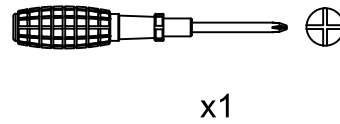
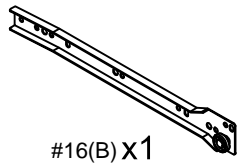
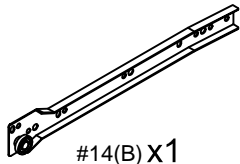
Step 1.



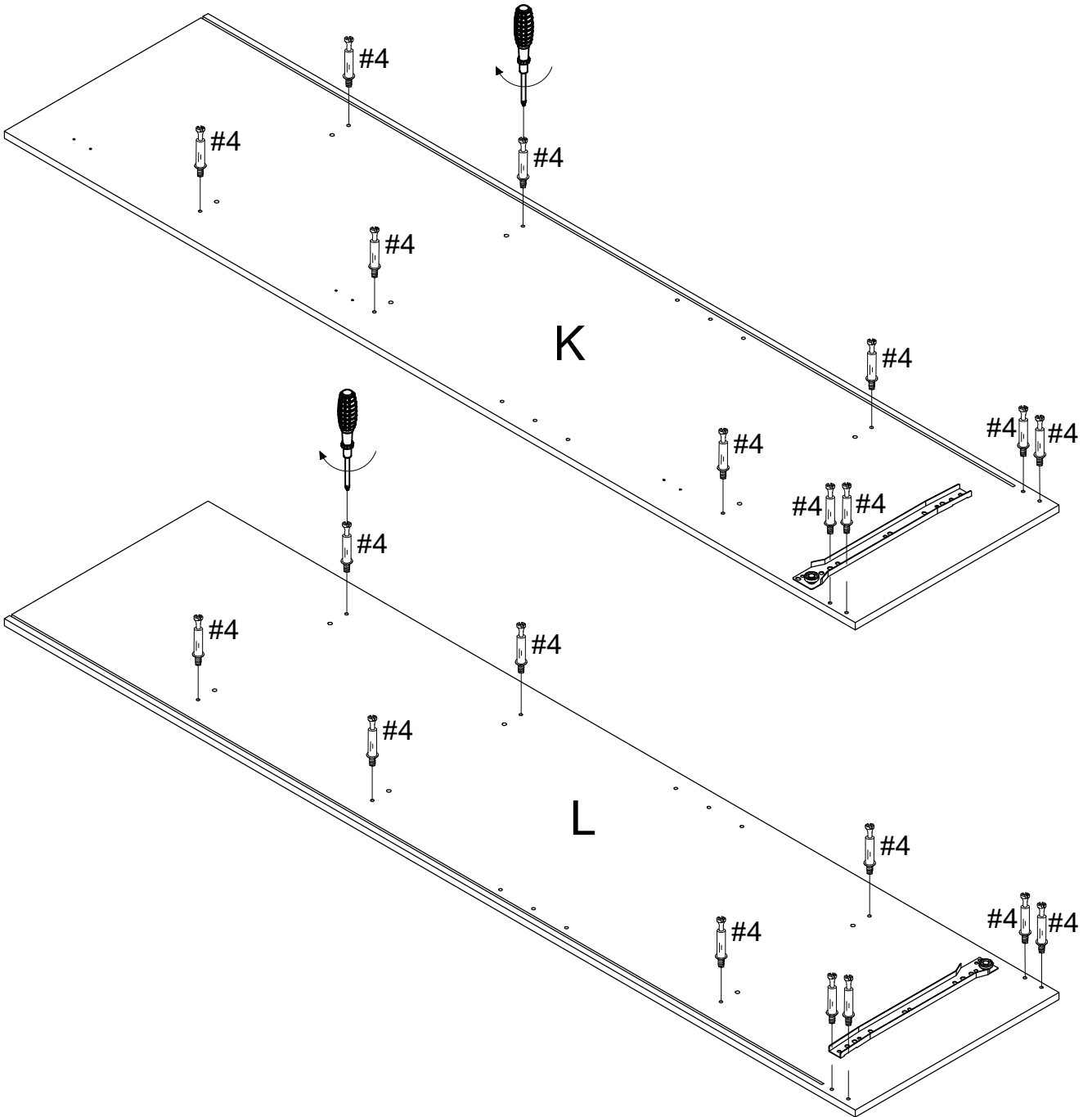
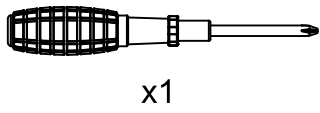
Step 2.



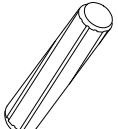
Step 3.



Step 4.



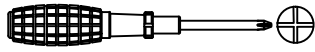
Step 5.



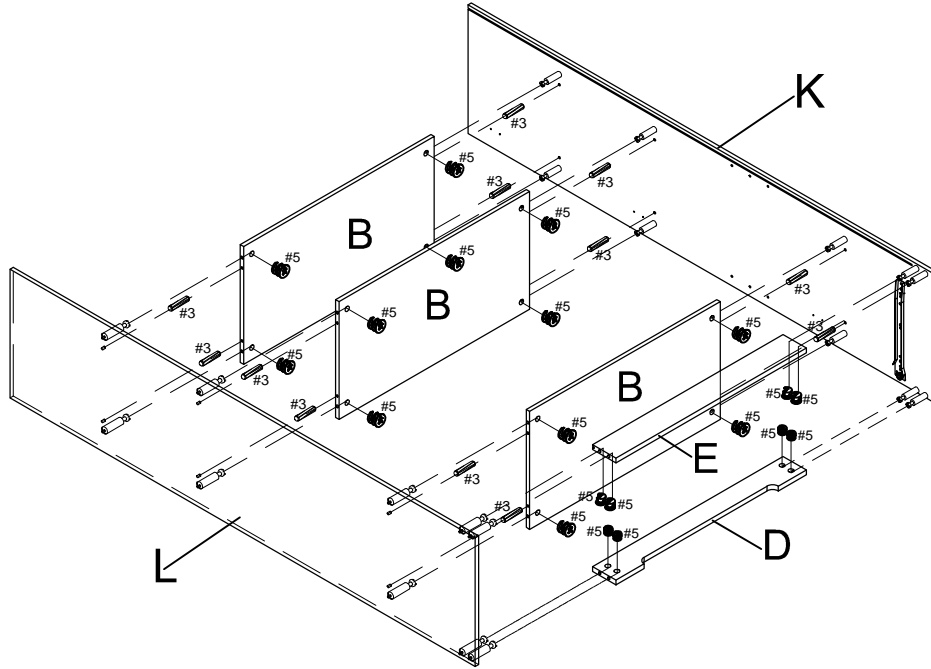
#3 x12



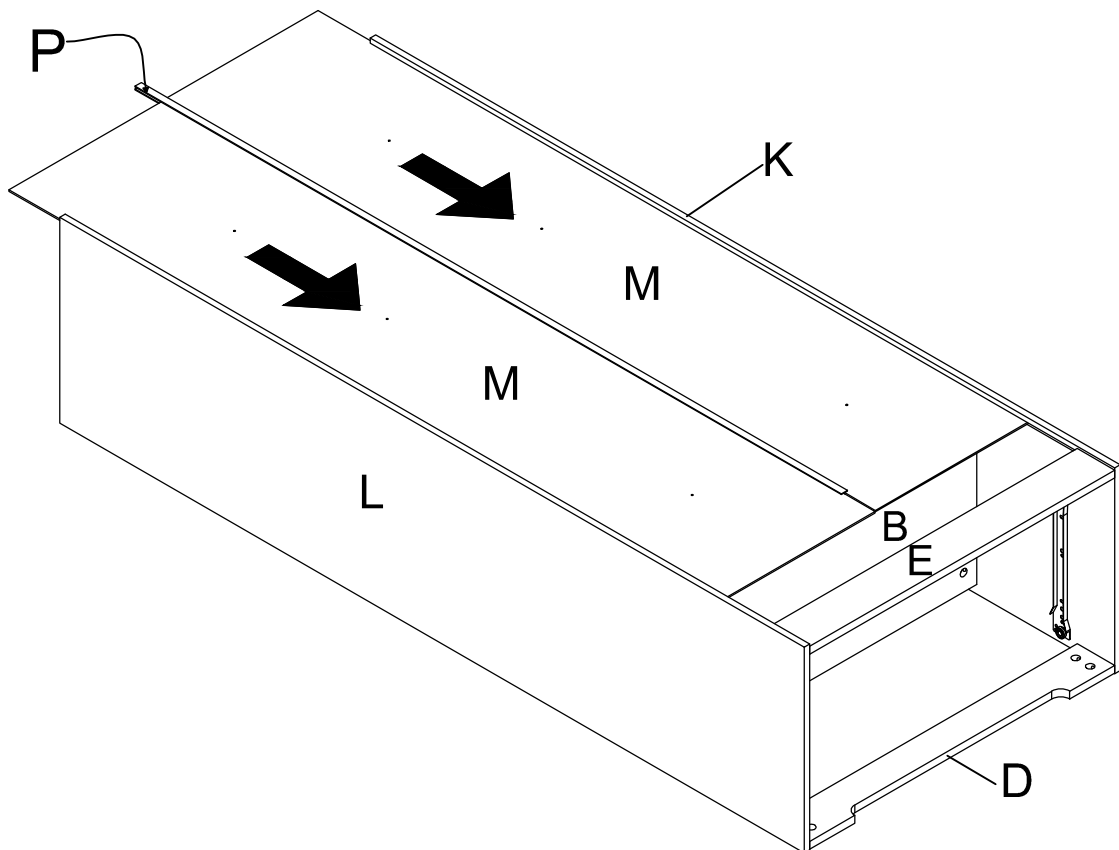
#5 x20



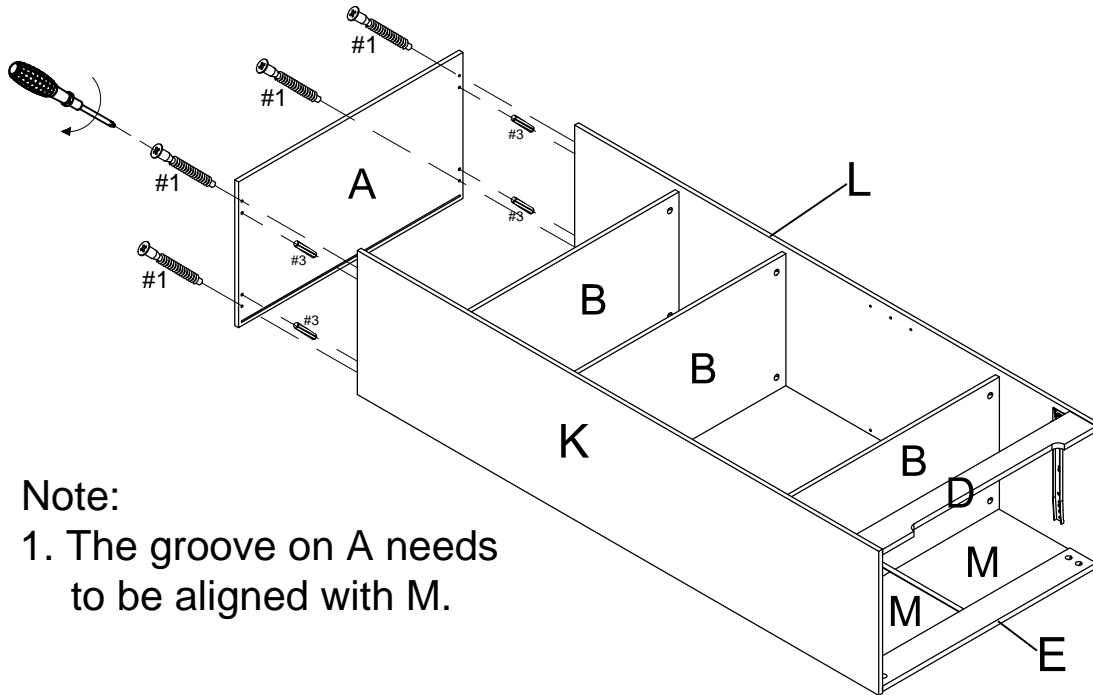
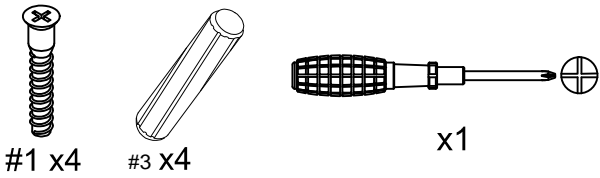
x1



Step 6.



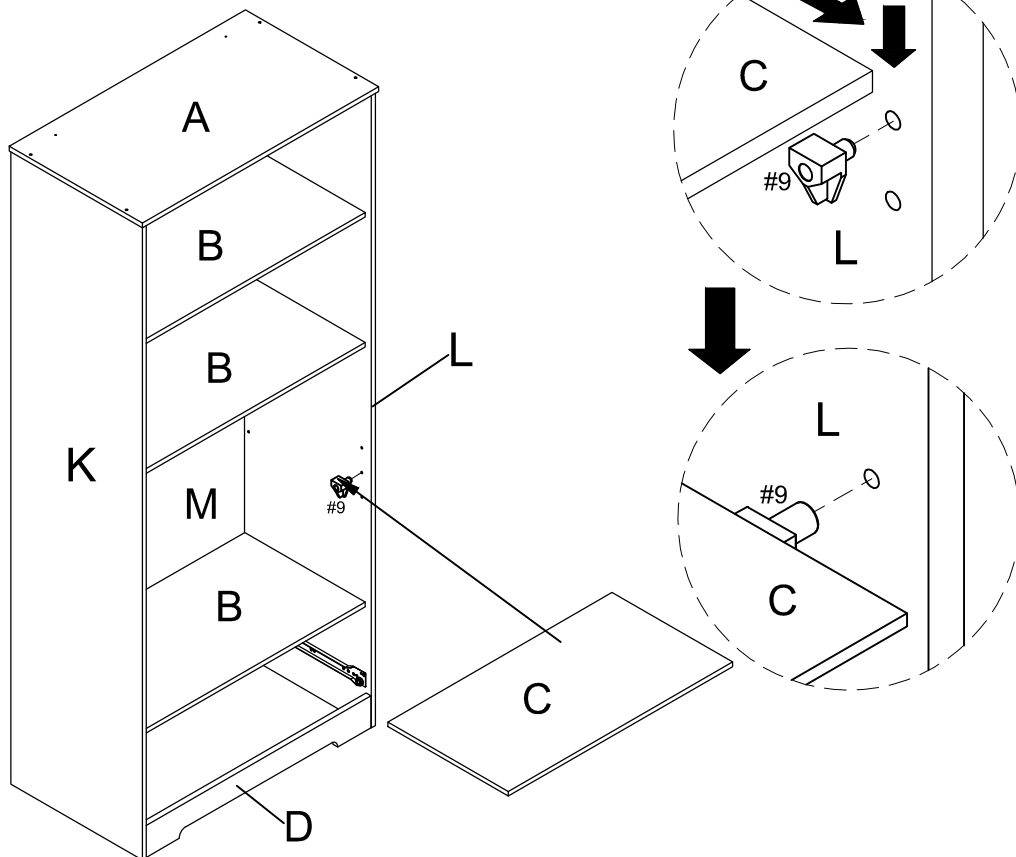
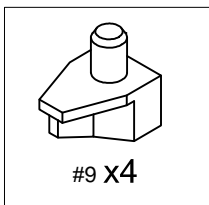
Step 7.



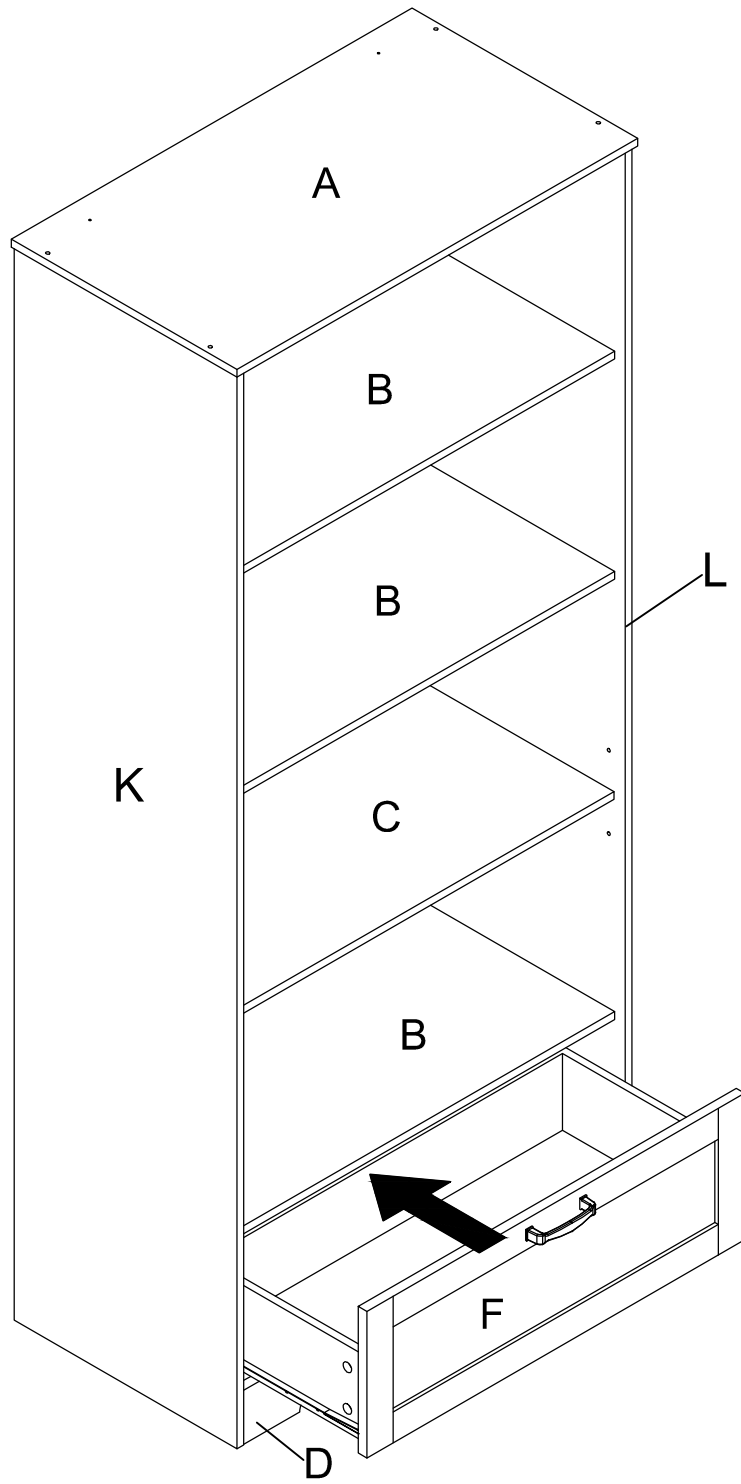
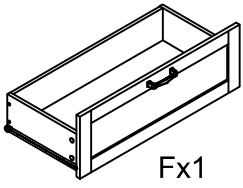
Note:

1. The groove on A needs to be aligned with M.

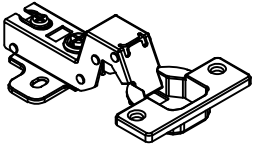
Step 8.



Step 9.



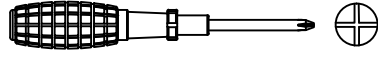
Step 10.



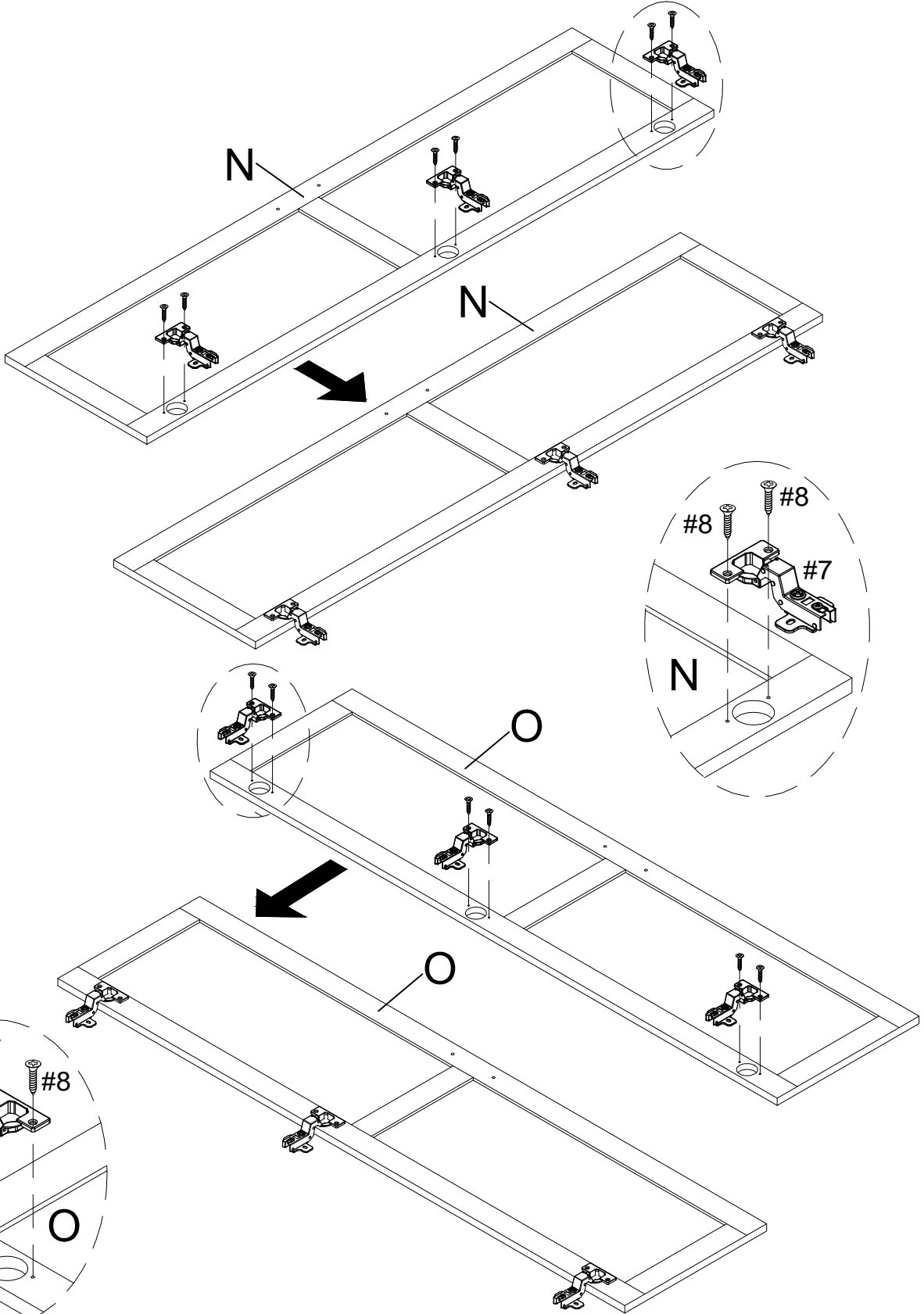
#7x6



#8 x12



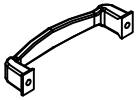
x1



Step 11.



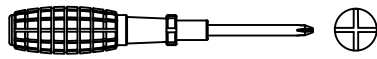
#8 x6



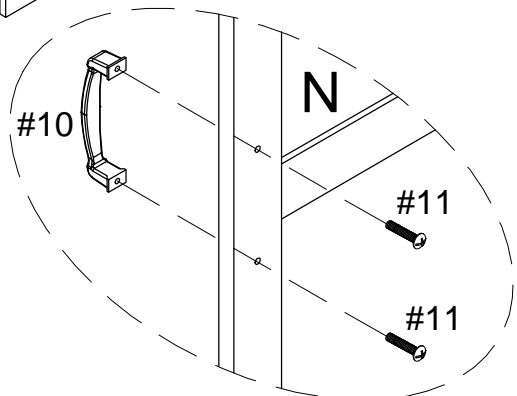
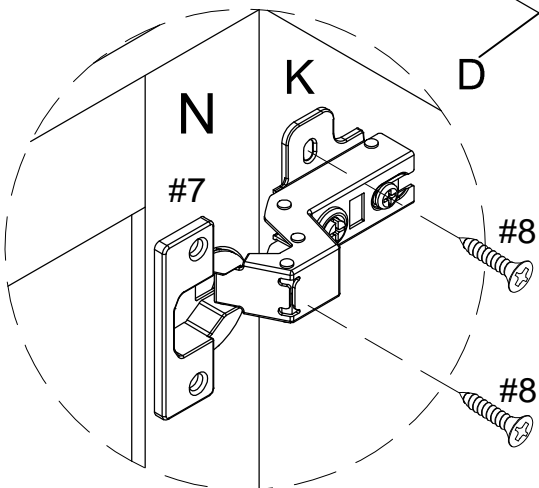
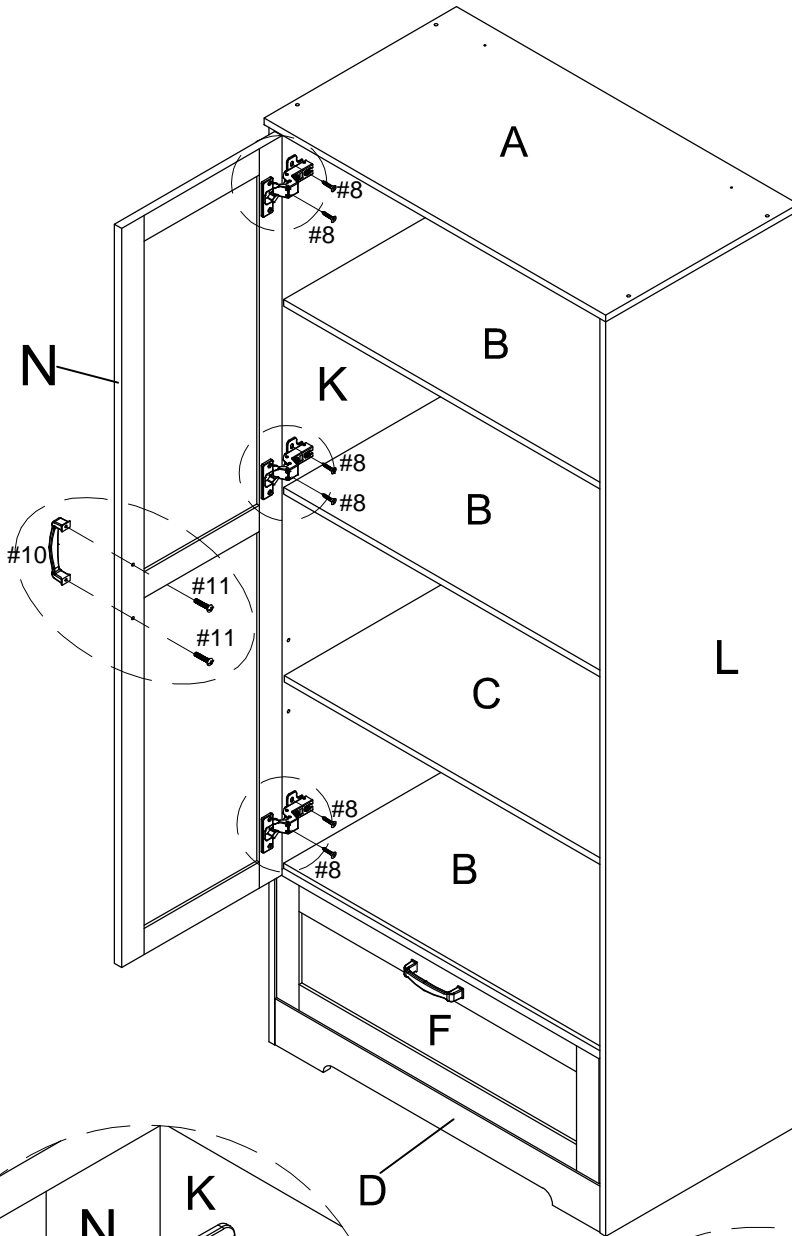
#10X1



#11X2



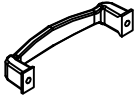
x1



Step 12.



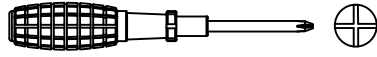
#8x6



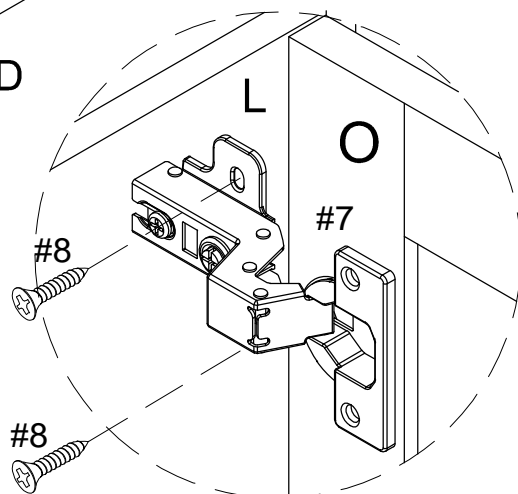
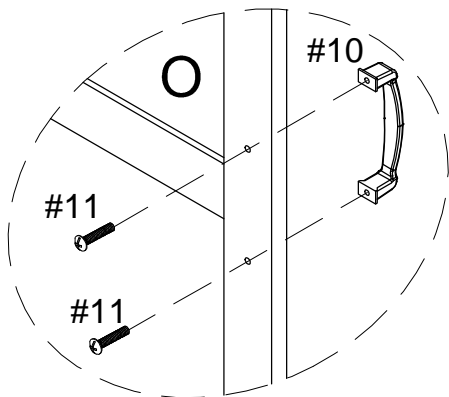
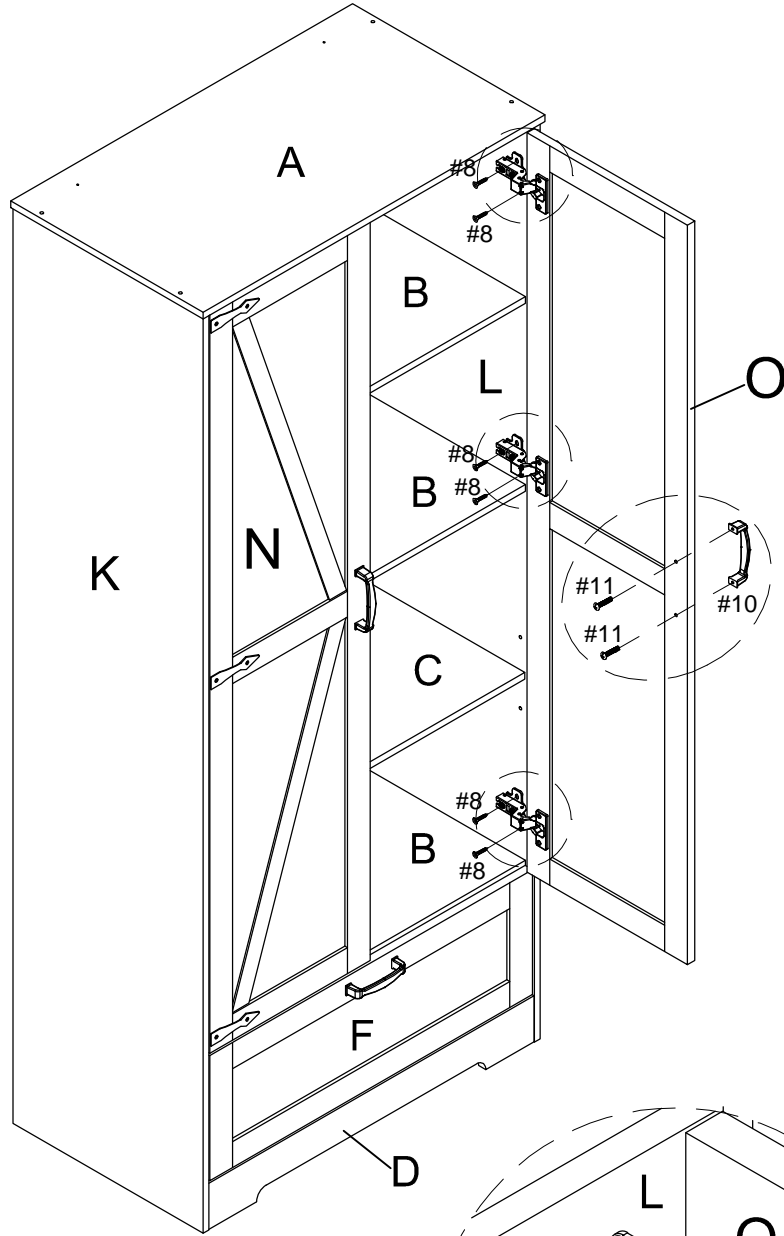
#10x1



#11x2

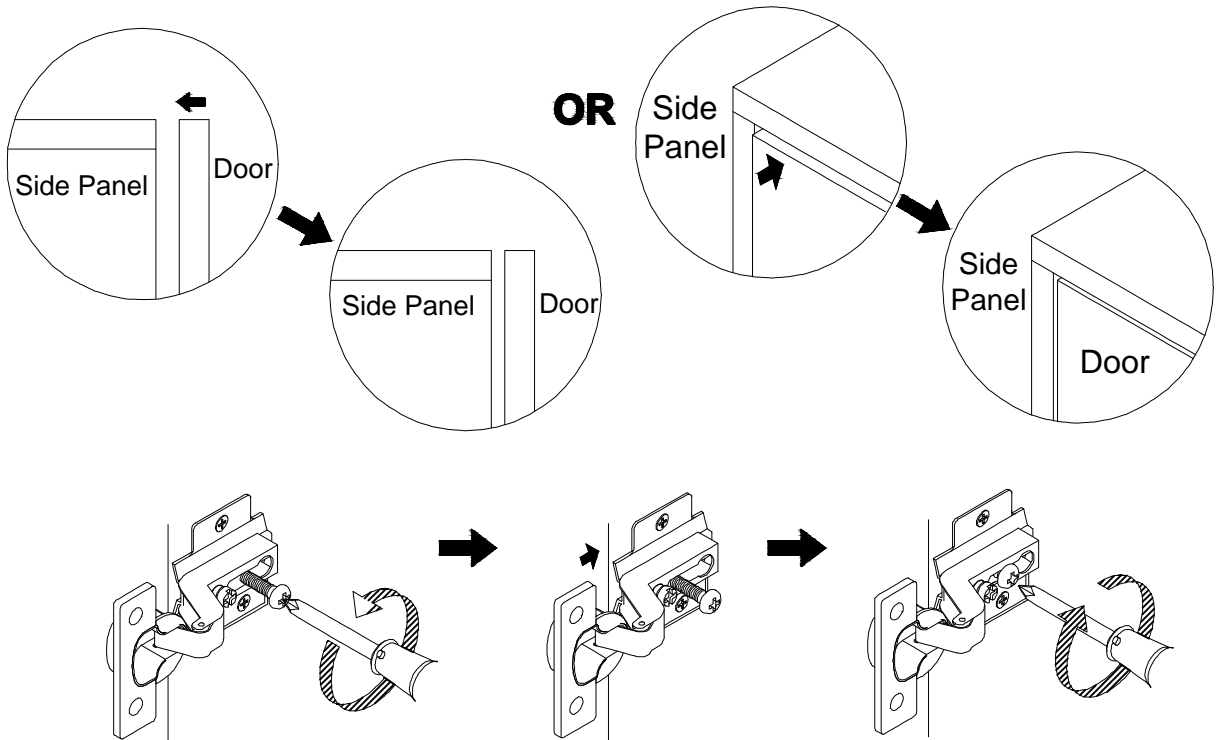


x1

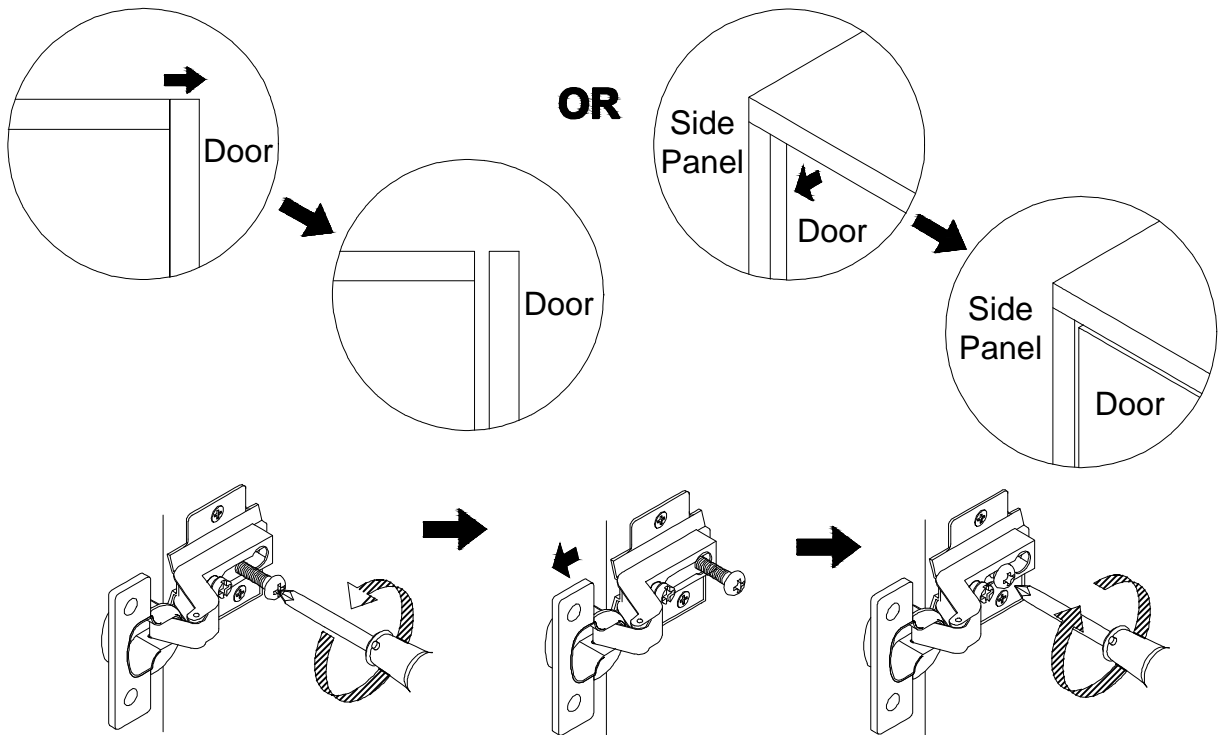


Step 13-A.

The way to adjust the door by hinge.

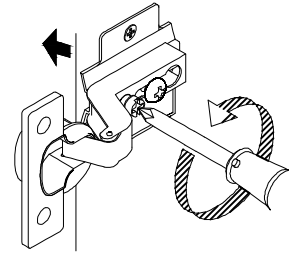
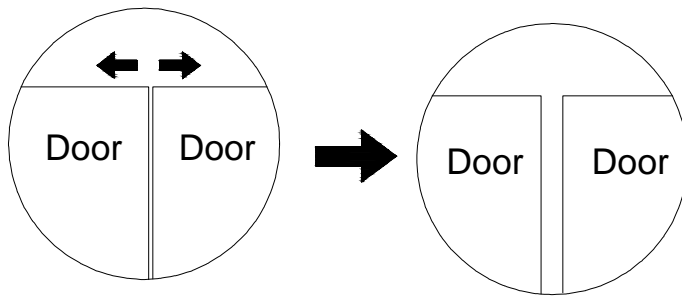


If the gap is too big between side panel and door or the door is over the edge of side panel, loose the back screw as shown, then move in the door with hinge and tighten the back screw as shown when the gap is just well.

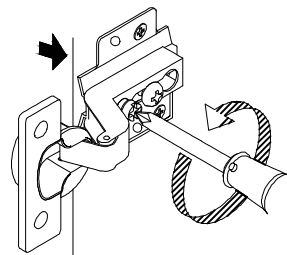
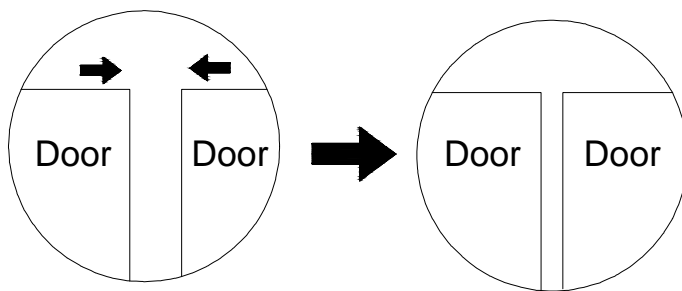


If the gap is too small between side panel and door or the door sank in side panel, loose the back screw as shown, then move out the door with hinge and tighten the back screw as shown when the gap is just well.

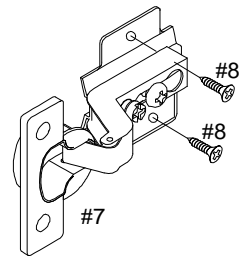
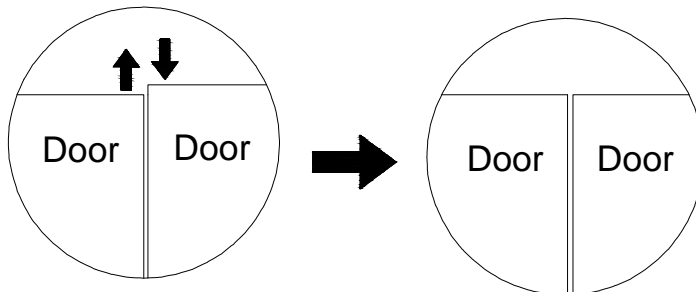
Step 13-B.



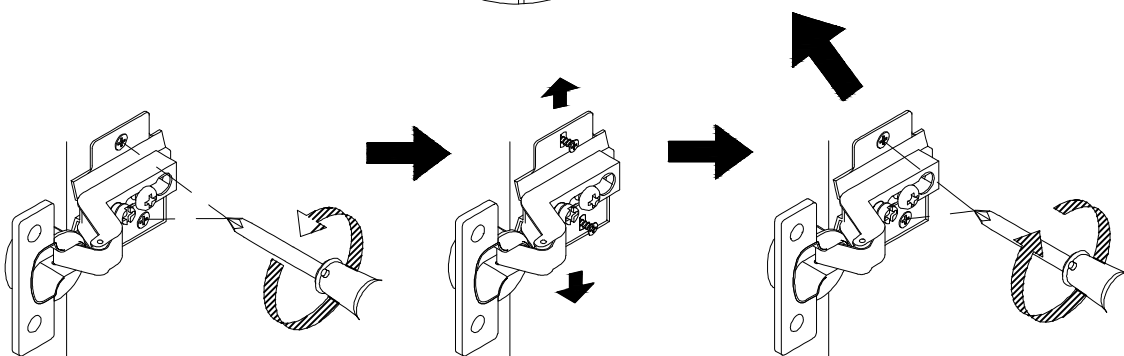
If the gap is too small between two doors, loose the front screw as shown.



If the gap is too big between two doors, tighten the front screw as shown.

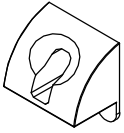


Attention:
After adjusted Hinges,
then lock #9 screws.



If the doors are not in same level, loose the back screws on wing, then adjust the door up and down, tighten the screws when both doors are in same level.
Screw front two screws (#9) on wing when all are in place.

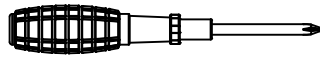
Step 14.



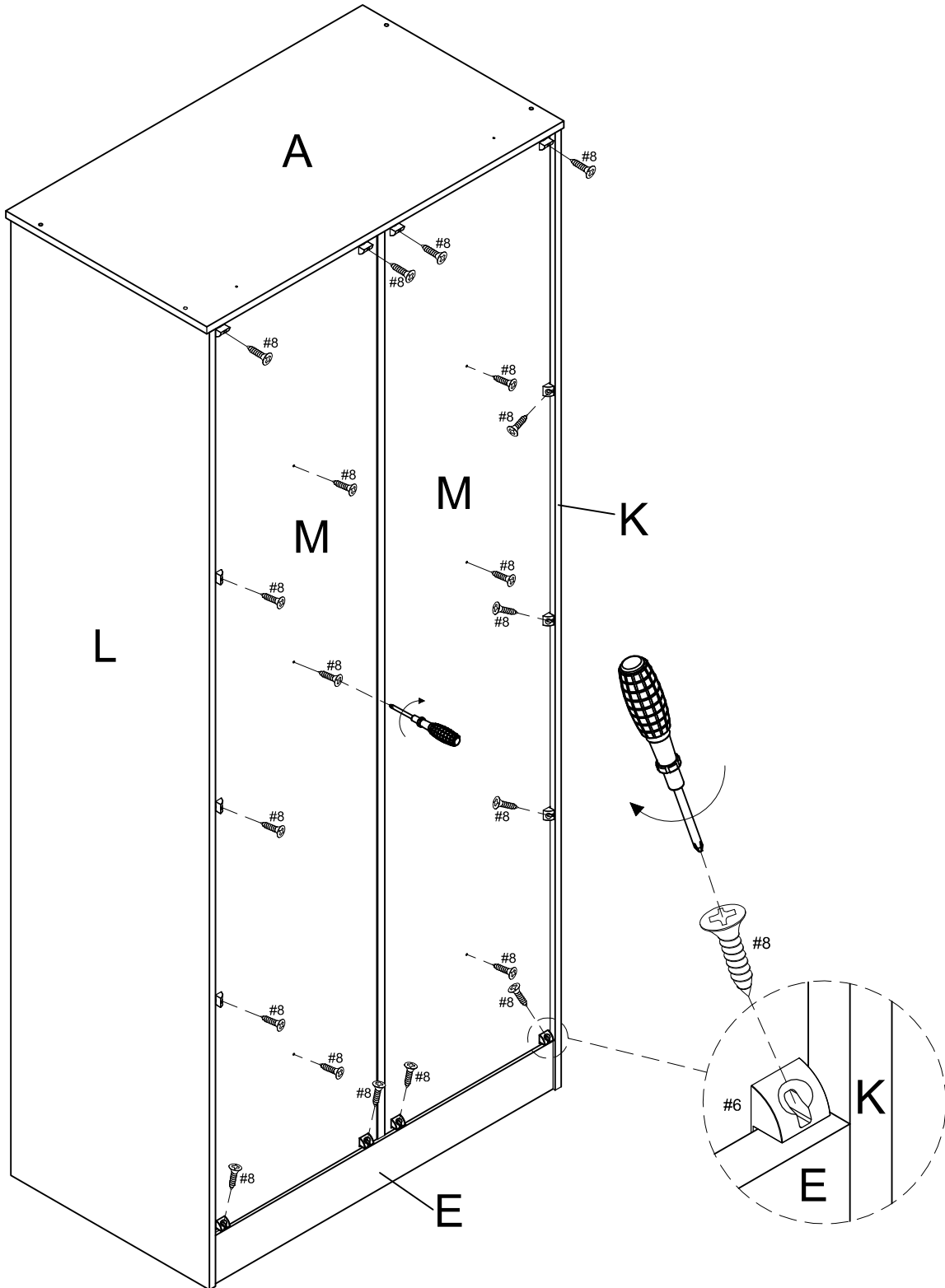
#6 x14



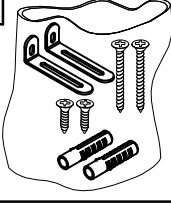
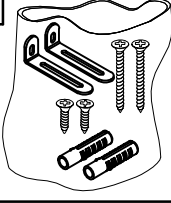
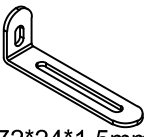
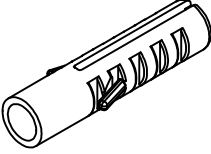


#8 x20



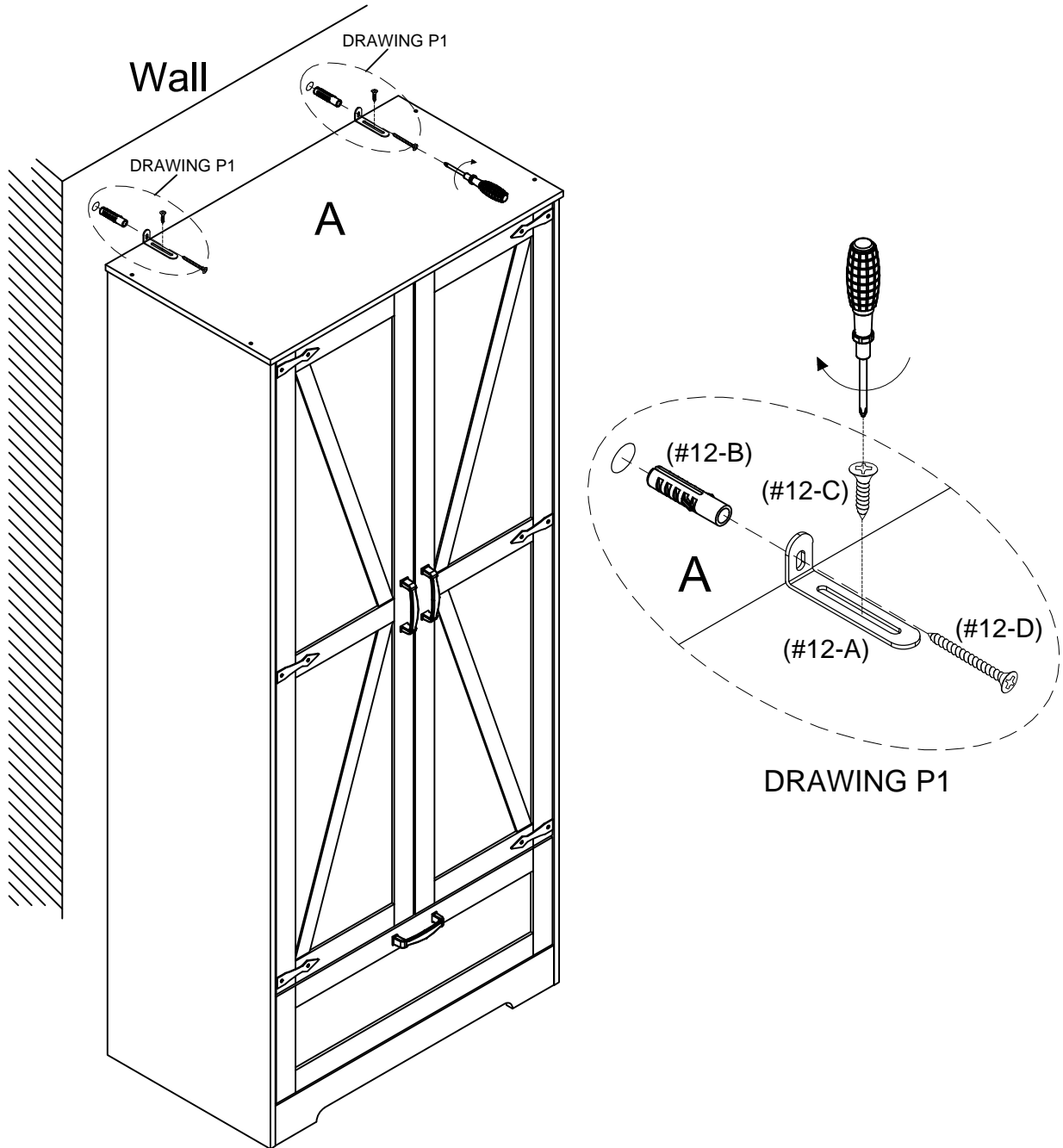
x1



Step 15.

#12		#12-A	#12-B	#12-C	#12-D
 Safety Strap Kit 1 SET	 72*24*1.5mm Angel Iron 2 PCS	 Wall Anchor 2 PCS	 Ø3.5*15mm Short Screw 2 PCS	 Ø4*40mm Long Screw 2 PCS	

Safety strap kit (#12) must be installed to prevent tipping, damage and/or injury.



The assembly of the cabinet is complete.

Warning:

Seller is responsible for the product-related issues occurred upon receipt, but will not be responsible for the personal injury, property damage or loss resulting from the incorrect assembly, improper use, inadequate maintenance or neglect of this product.