

INSTALLATION

Product Manual

Version: 650014US-01-26A-OL



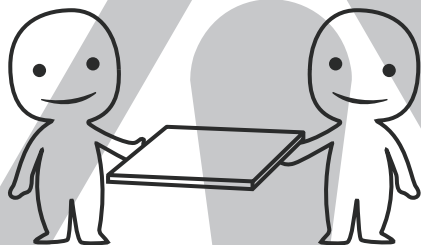
IMPORTANT INFORMATION!

please read the entire manual before starting to assemble and/or using this product. follow the manual thoroughly and keep it for further reference.



AVOID SCRATCHES!

In order to avoid scratching this furniture should be assembled on a soft layer- could be a rug.



IMPROVE EFFICIENCY !

Try to find a partner to install with you, which can speed up the installation efficiency and shorten the time.



ANTI-TOPPLE WARNING !

Overturned furniture can cause serious or fatal crush injuries. To prevent tipping over, be sure to use the wall attachment, if not included with this product. Please purchase the wall attachment that fit your wall. If unsure, seek professional advice. Please read and follow each step of the instructions carefully.

IMPORTANT !

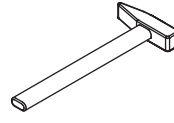
It is important that any product which is assembled using any kind of screw is re-tightened 2 weeks after assembly, and once every 3 months - in order to assure stability through-out the lifespan of the product.

For regular maintenance and cleaning of the product, for the frame, please use a rag dipped in neutral detergent to fully wipe it, and then dry it with a clean rag. For glass materials, wipe with a rag dampened with water glass cleaner, and then dry with a dry rag.

Do not use an electric screwdriver, and do not use too much force when installing, because the board is easy to break.

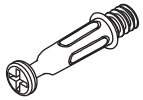


Please prepare the following tools



When installing, please carefully confirm whether each screw corresponds to the manual, accessories with similar shapes can be distinguished by size

A x 123



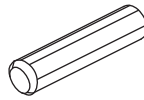
Ø6 x 40 mm

B x 123



Ø12 x 12 mm

C x 52



Ø8 x 30 mm

D x 12



Ø4 x 30 mm

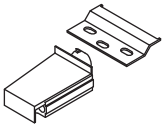
E x 80



Ø3.9 x 16 mm

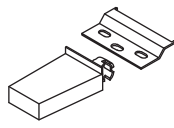
F x 1

Right

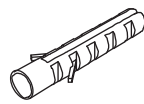


G x 2

Left



H x 9



Ø8 x 60 mm

J x 9



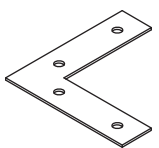
Ø5 x 60 mm

K x 6



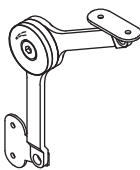
Ø4 x 25 mm

L x 2

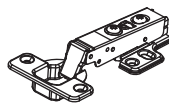


60 x 60 x 0.9 mm

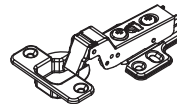
M x 2



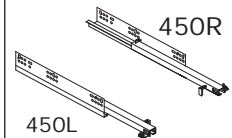
N x 6



O x 2



P x 3

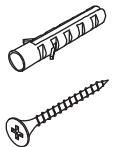


450L

450R

L = 18 inch

R x 2

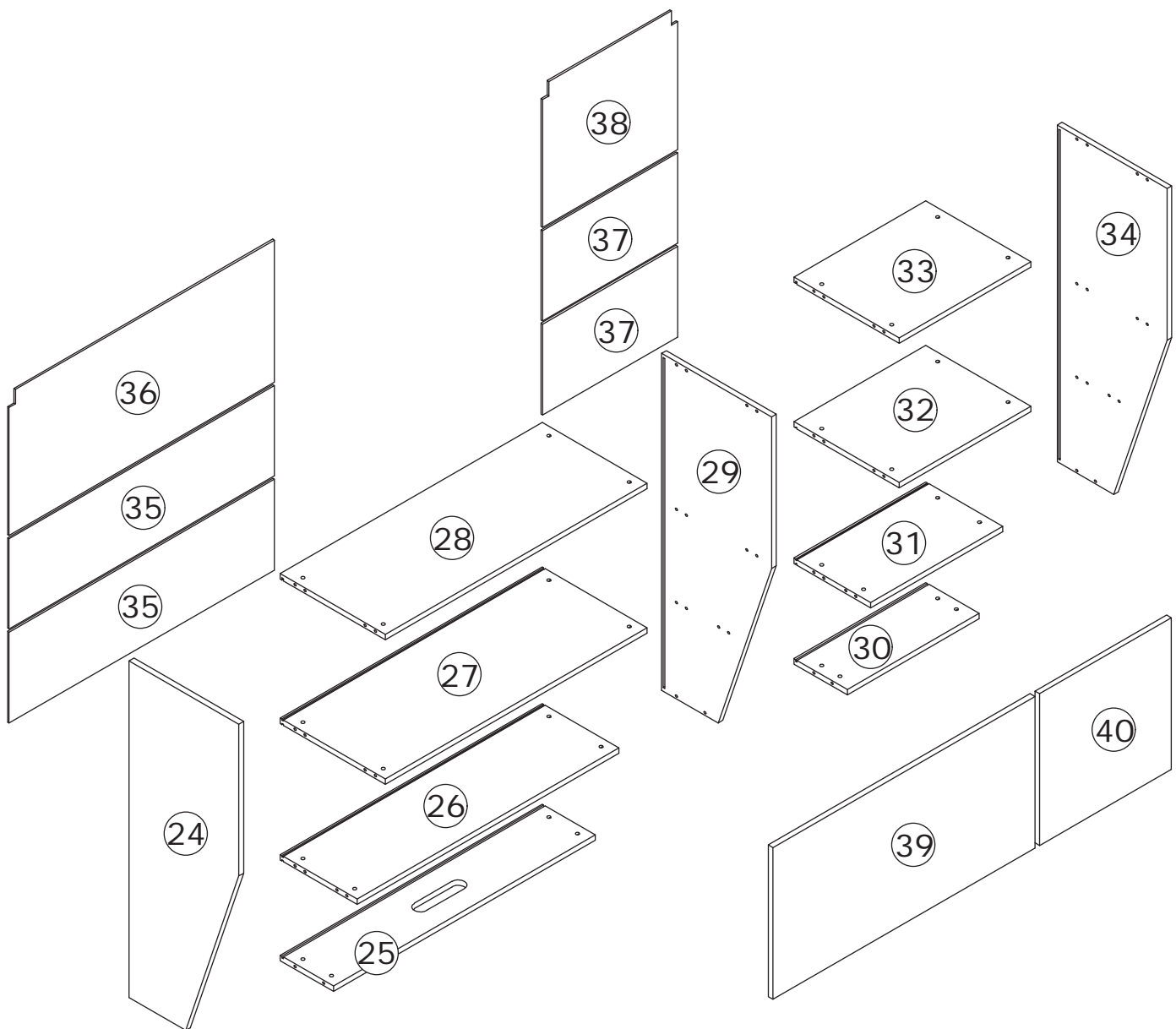


Ø3.9 x 40 mm

S x 2



65 x 15 mm



⚠ WARNING

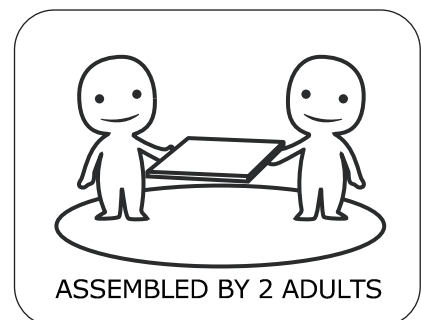


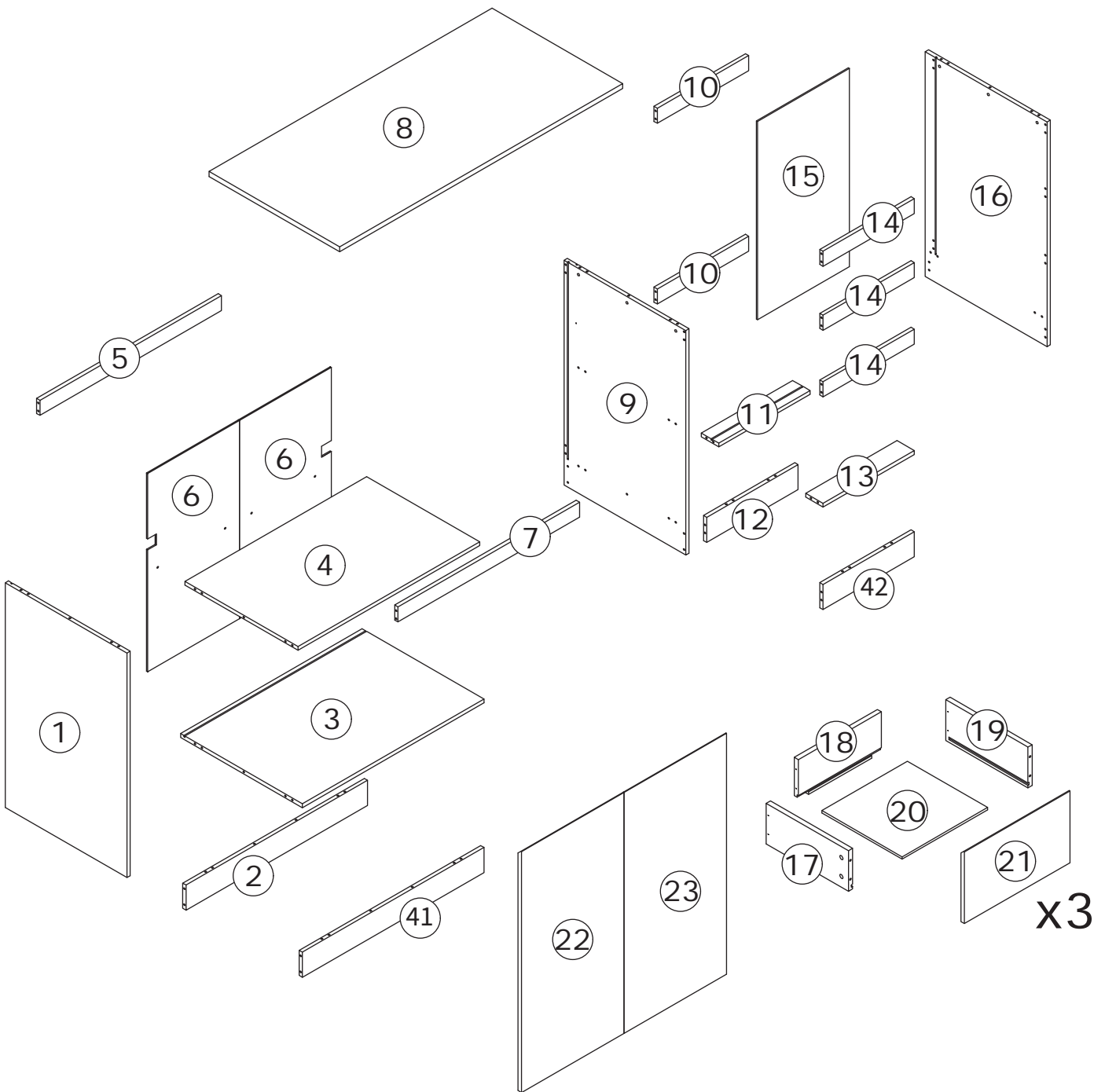
Children have died from furniture tipover. To reduce the risk of furniture tipover:

- ALWAYS install Anti-tip device provided.
- NEVER put a TV on this product.
- NEVER allow children to stand, climb or hang on drawers, doors, or shelves.
- NEVER open more than one drawer at a time.
- Place heaviest items in the lowest drawers.



*This is a permanent label.
Do not remove!*





⚠ WARNING

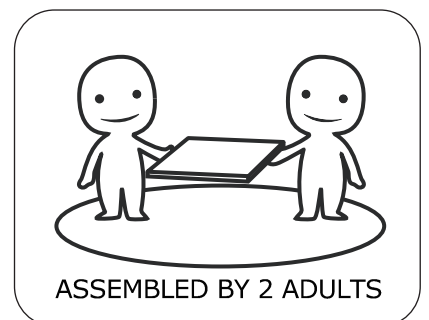


Children have died from furniture tipover. To reduce the risk of furniture tipover:

- ALWAYS install Anti-tip device provided.
- NEVER put a TV on this product.
- NEVER allow children to stand, climb or hang on drawers, doors, or shelves.
- NEVER open more than one drawer at a time.
- Place heaviest items in the lowest drawers.

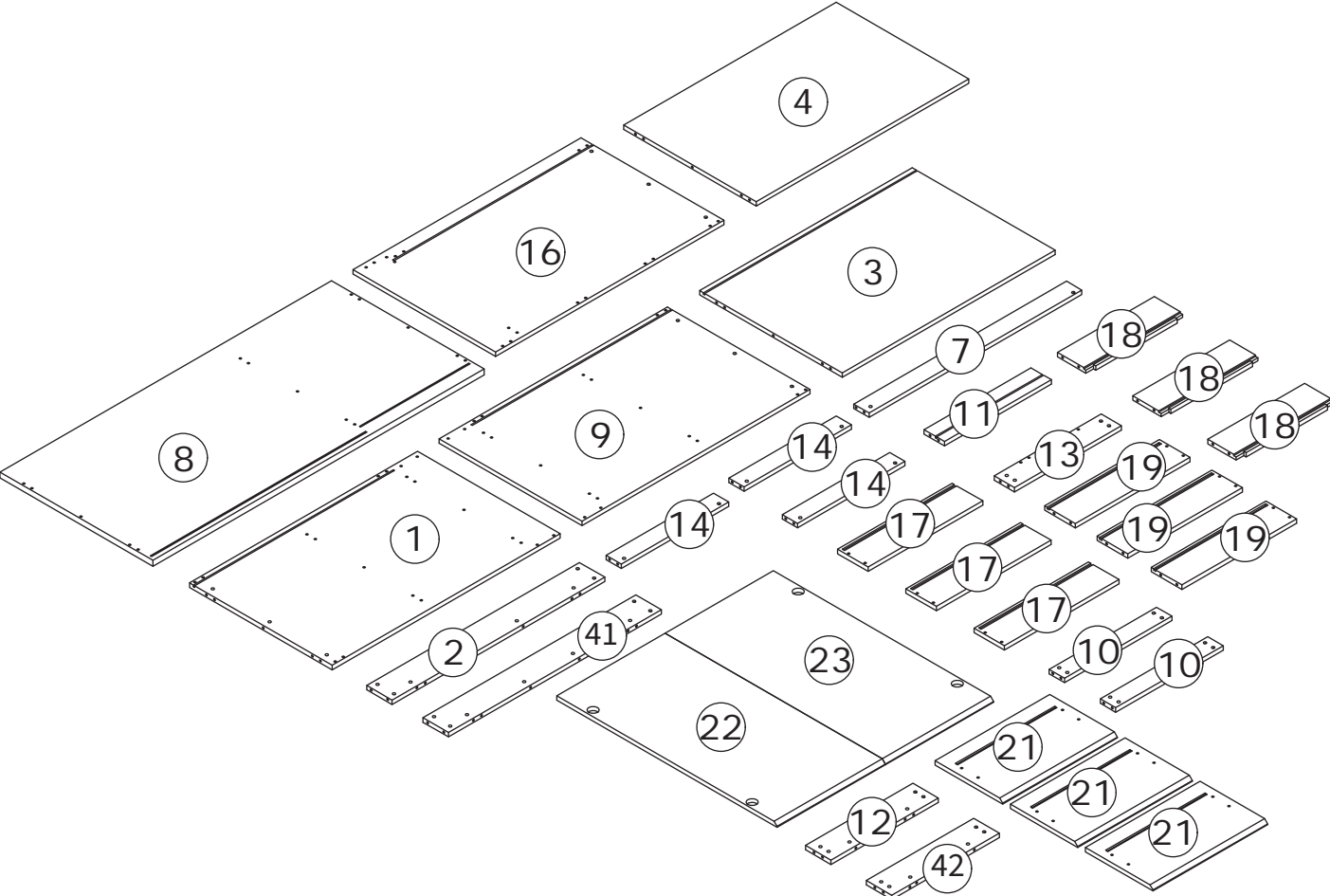


*This is a permanent label.
Do not remove!*



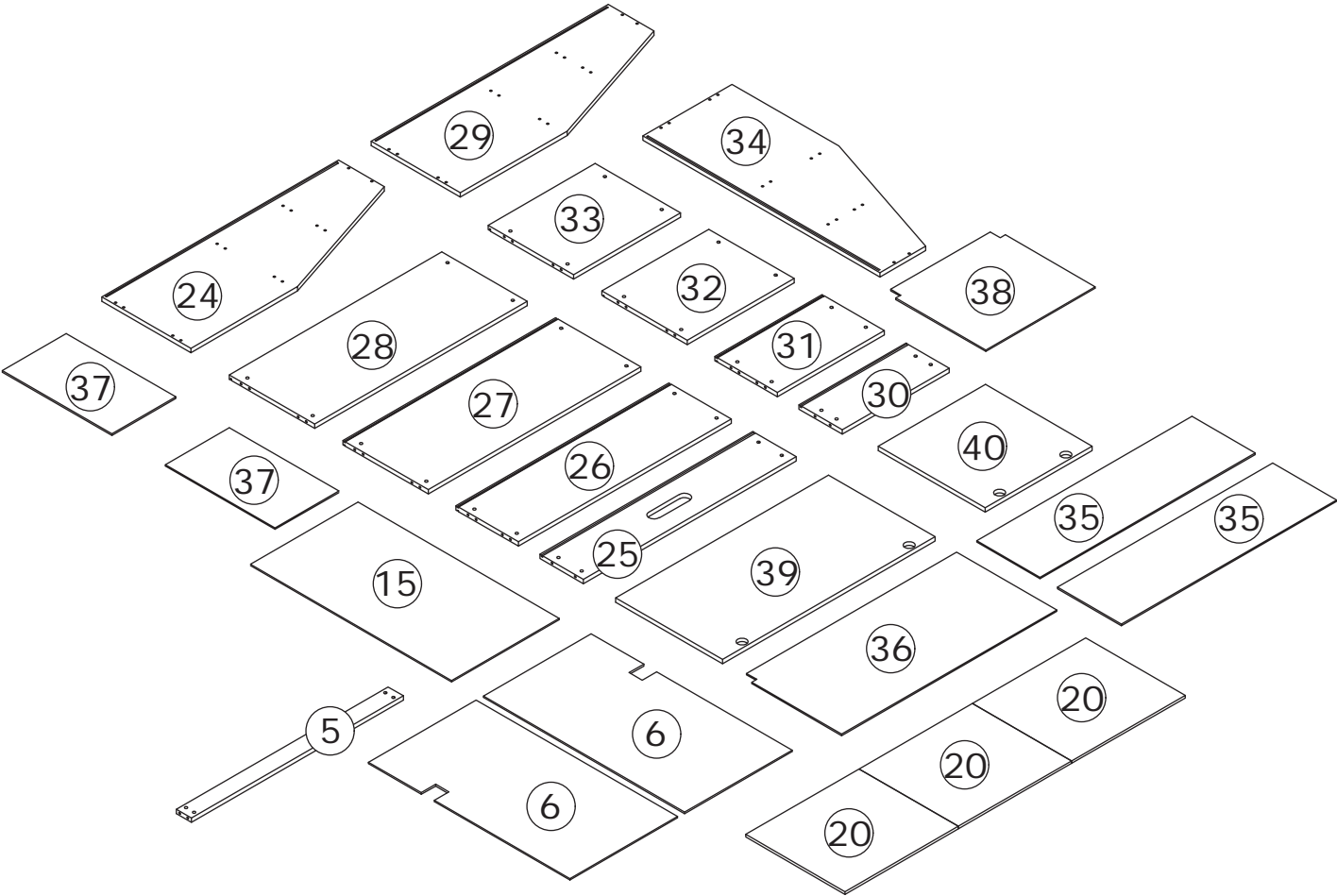
Part List

Box 1/2

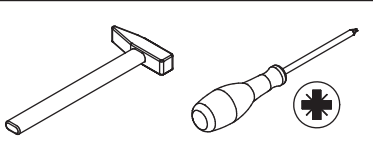
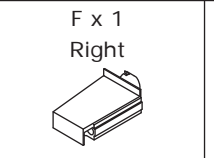
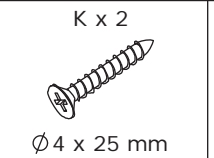
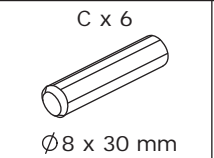
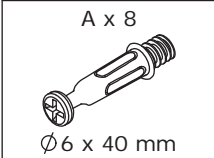


Part List

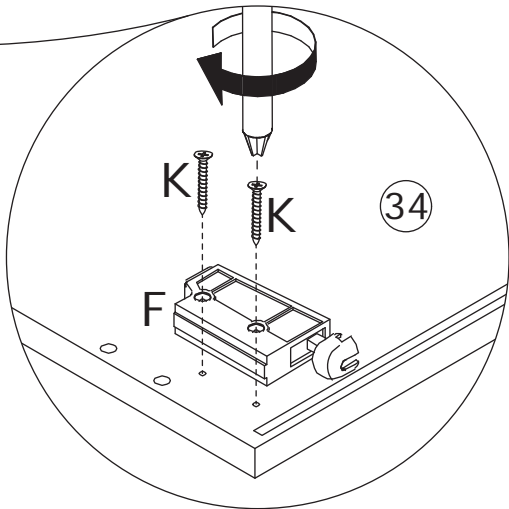
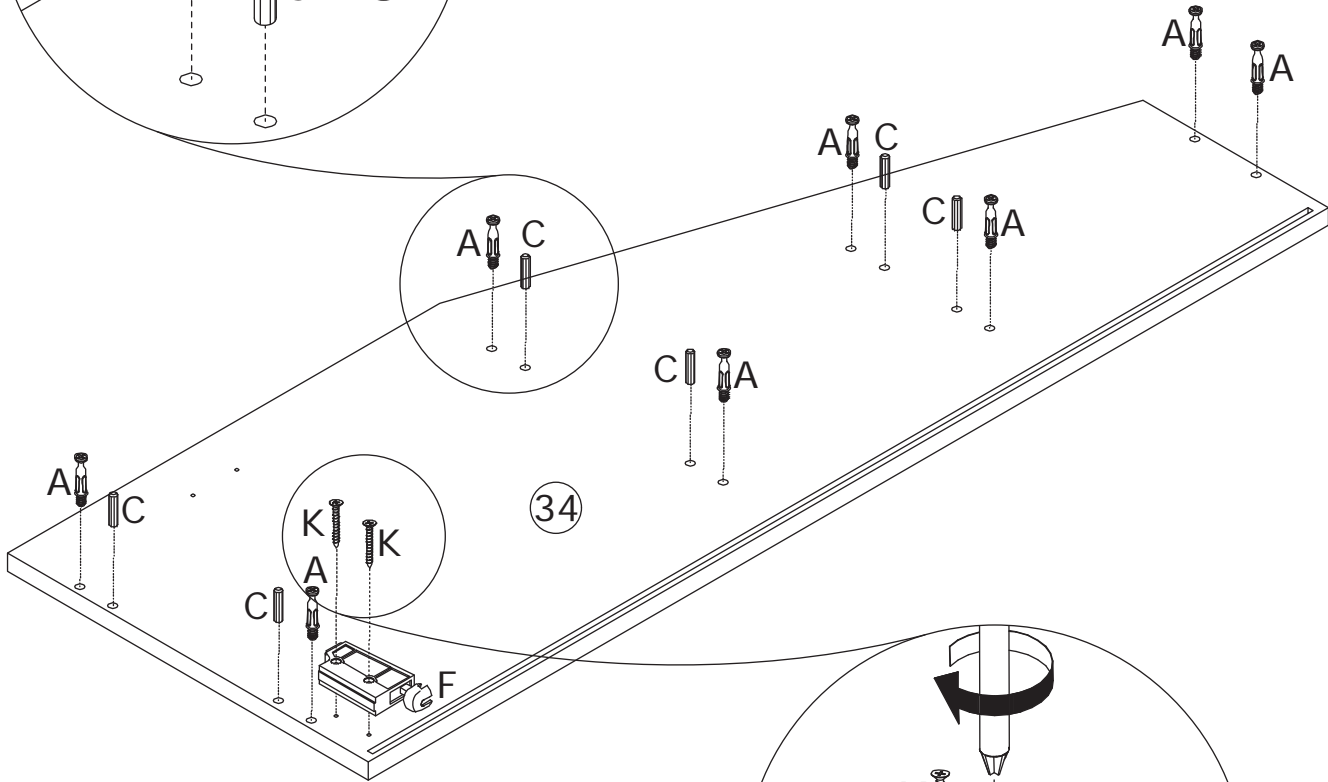
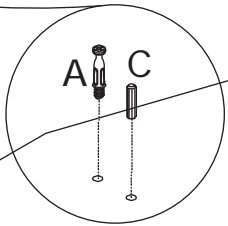
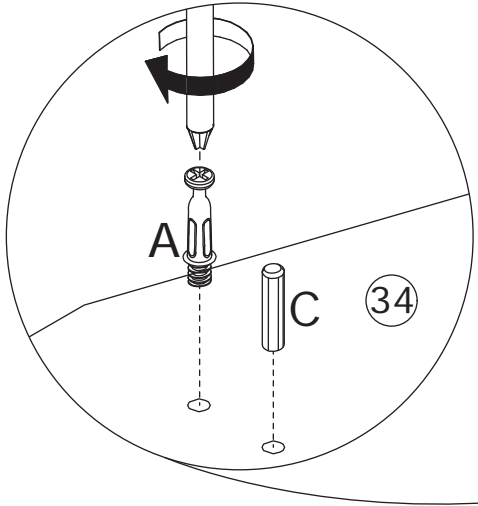
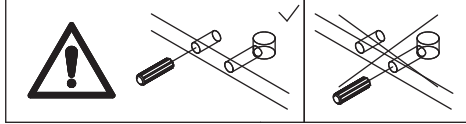
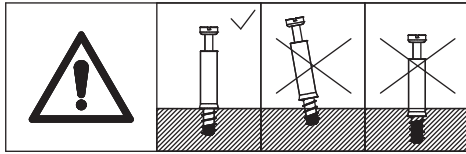
Box 2/2



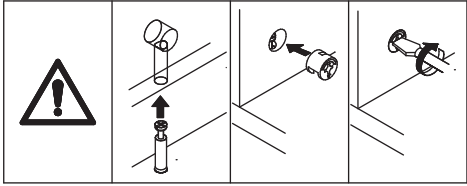
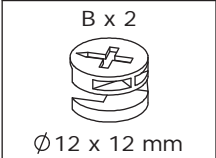
1



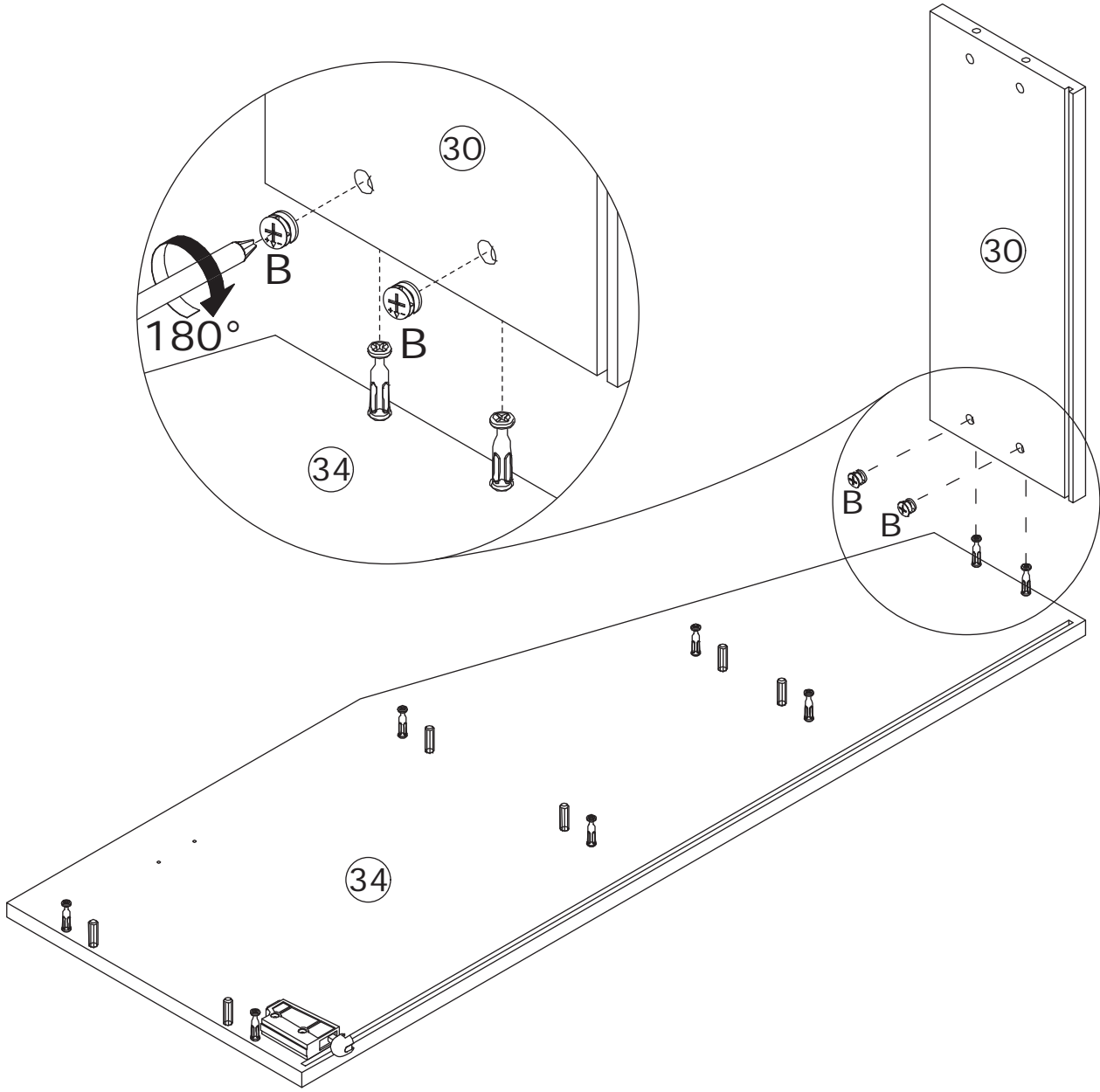
Screw self-tapping rod (A) and insert wooden dowel (C) into panel 34.
Secure part (F) to panel 34 using screw (K).



2

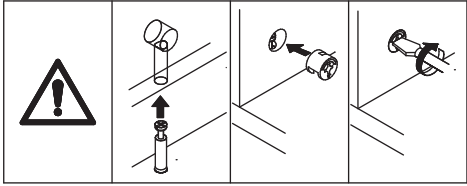


Connect panel 30 to panel 34, then tighten by turning cam lock (B) clockwise.

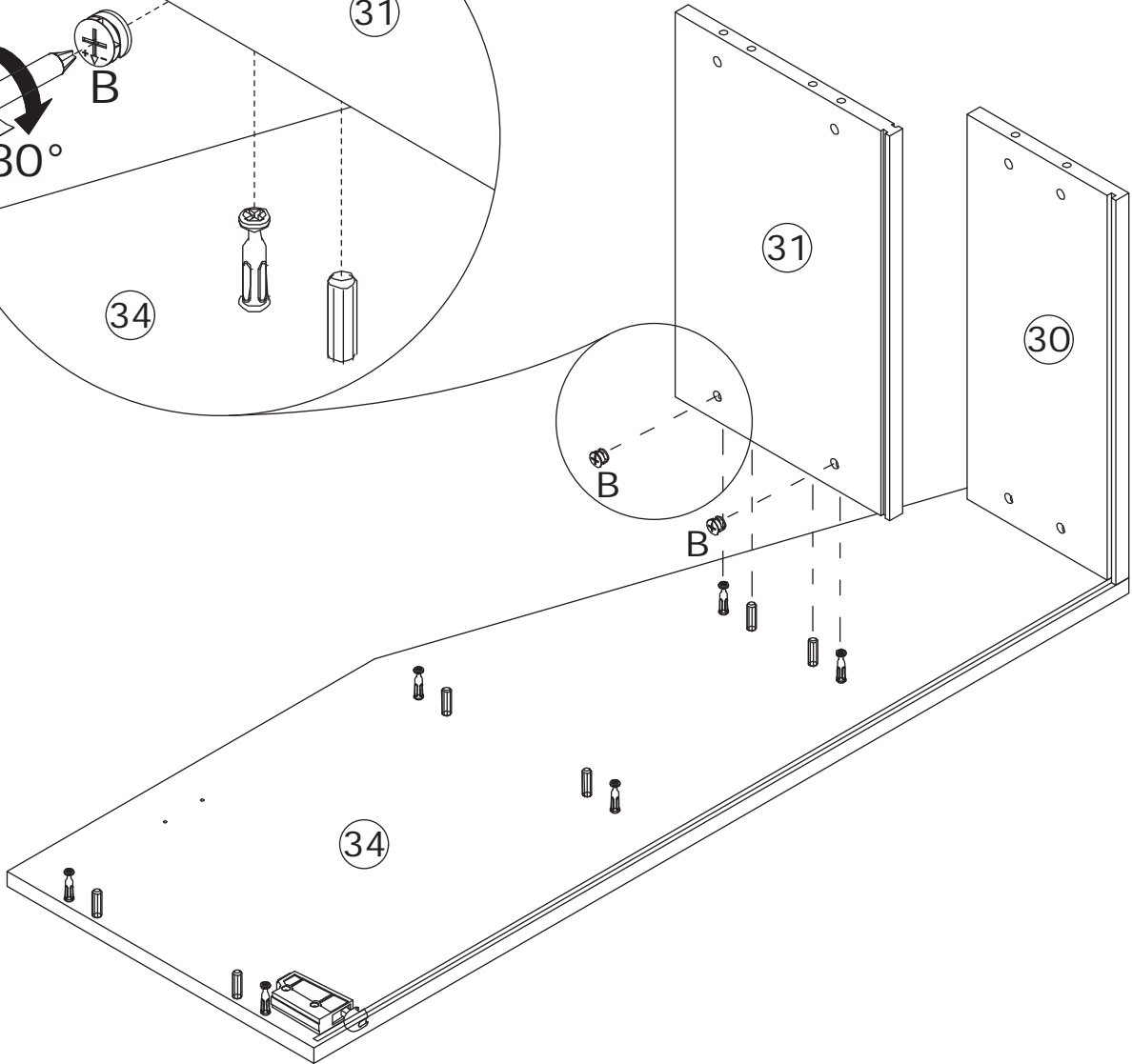
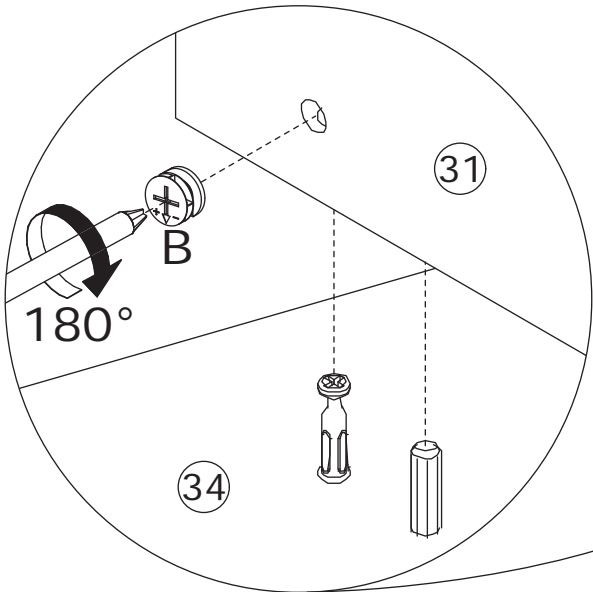


3

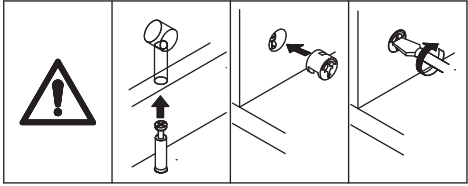
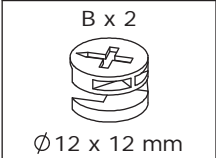
B x 2
Ø12 x 12 mm



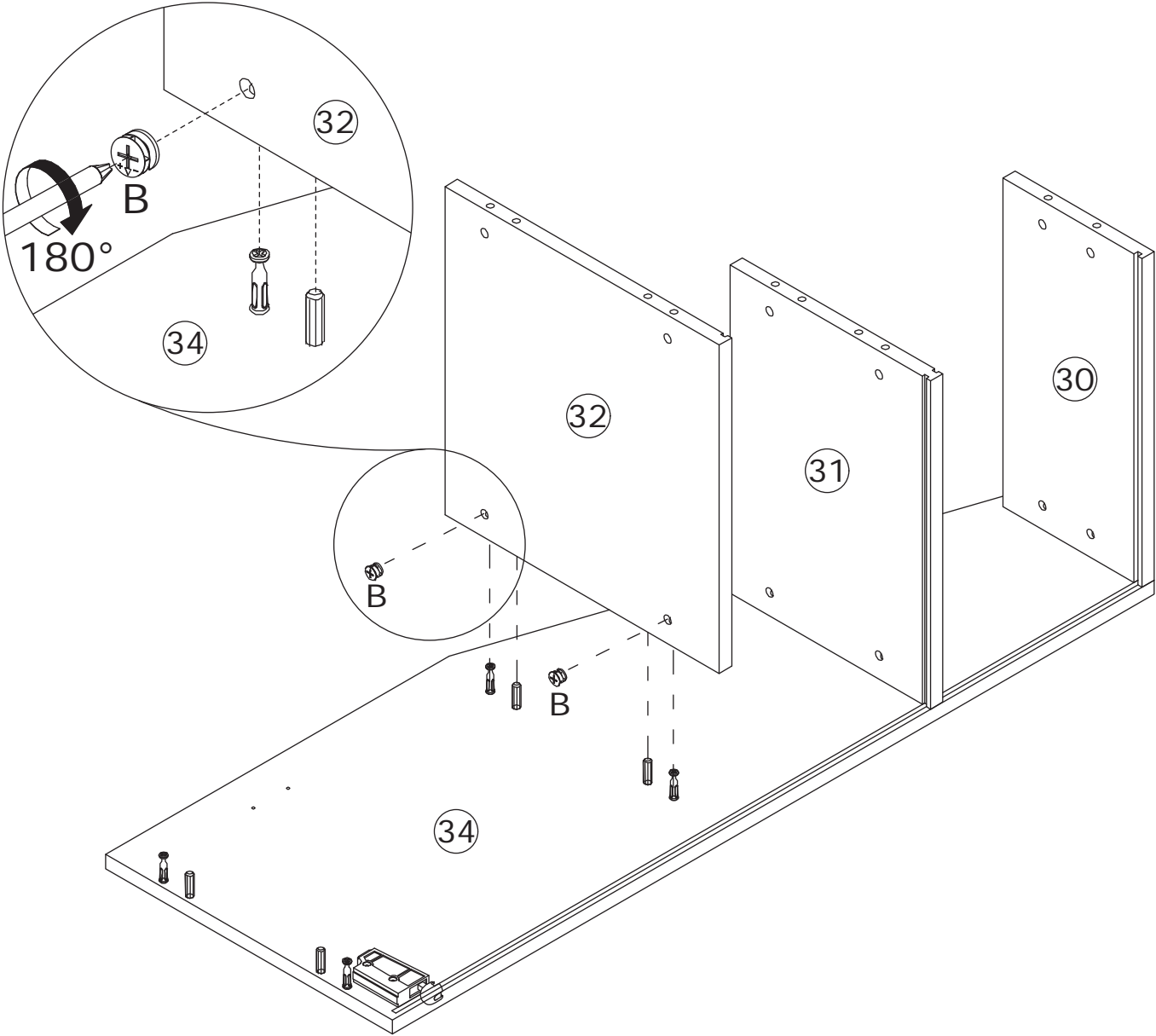
Connect panel 31 to panel 34, then tighten by turning cam lock (B) clockwise.



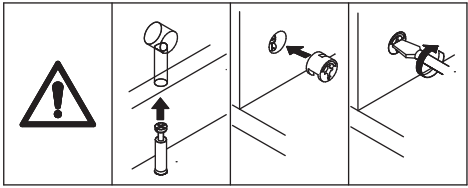
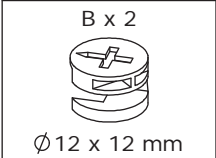
4



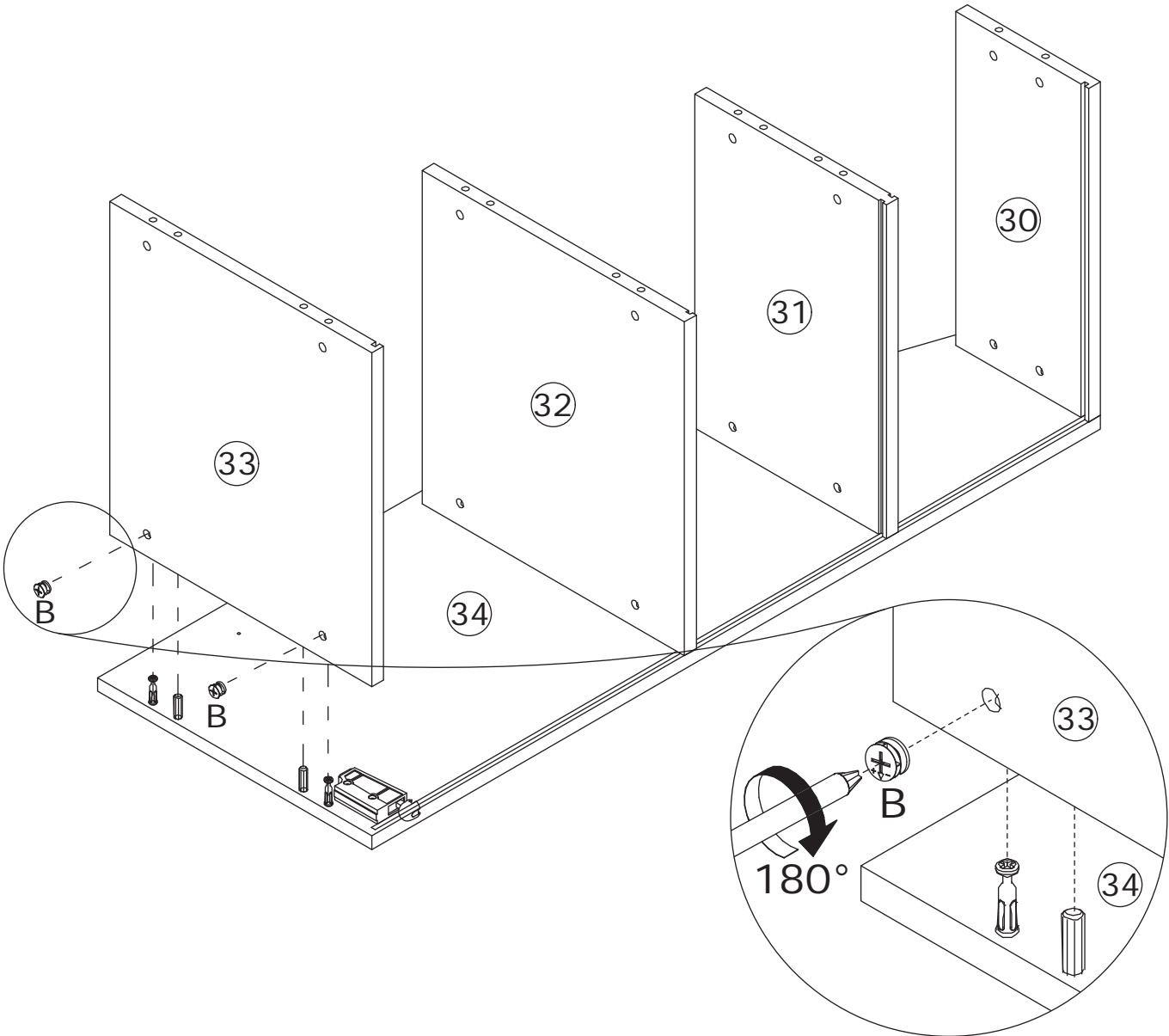
Connect panel 32 to panel 34, then tighten by turning cam lock (B) clockwise.



5



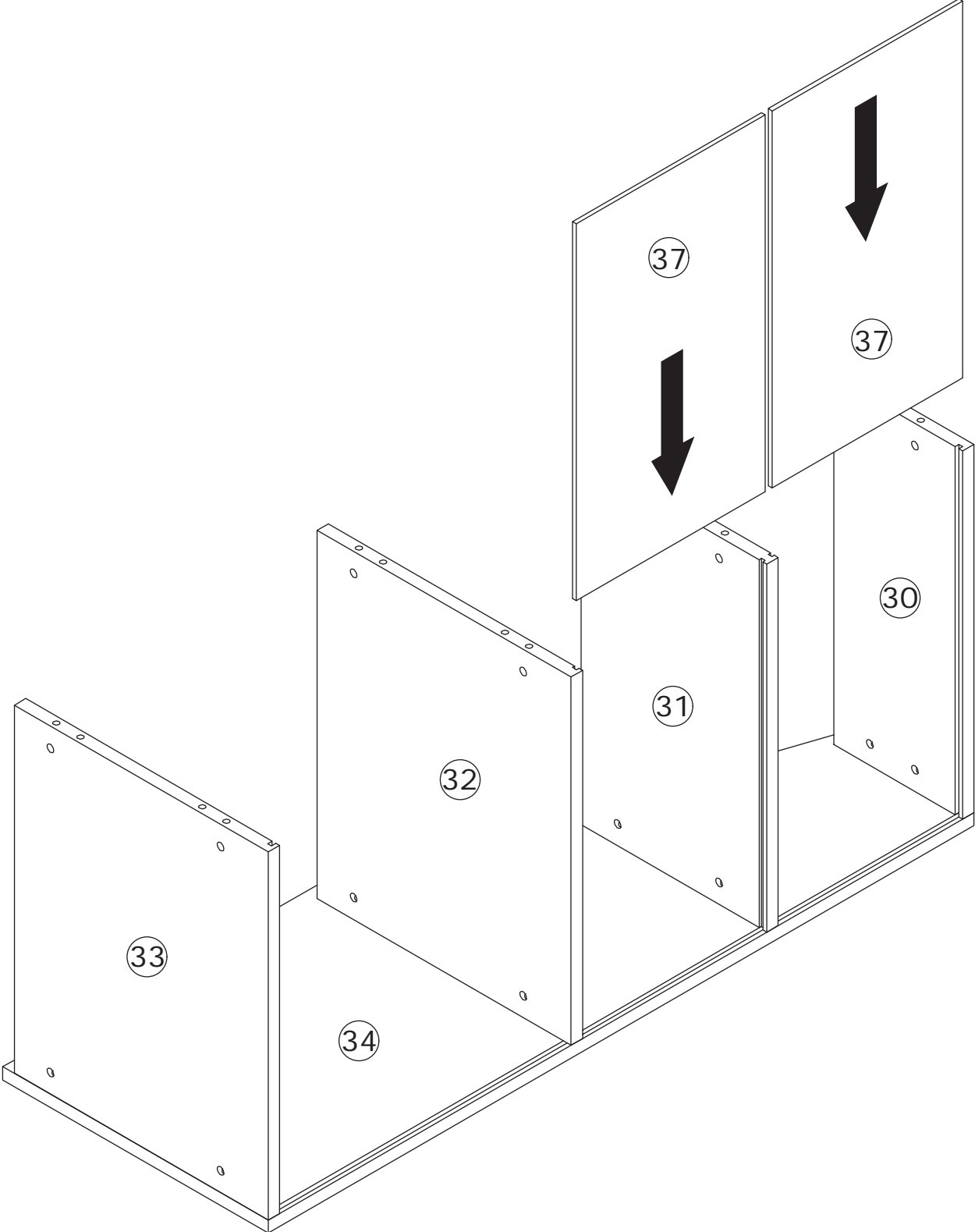
Connect panel 33 to panel 34, then tighten by turning cam lock (B) clockwise.



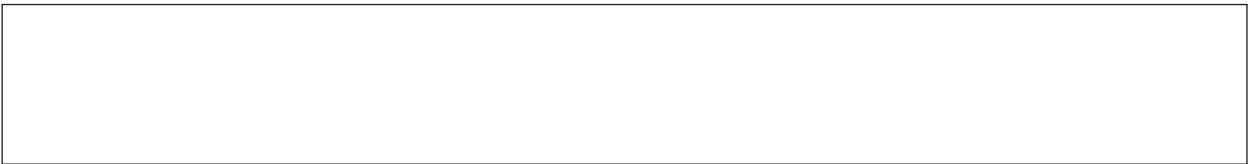
6



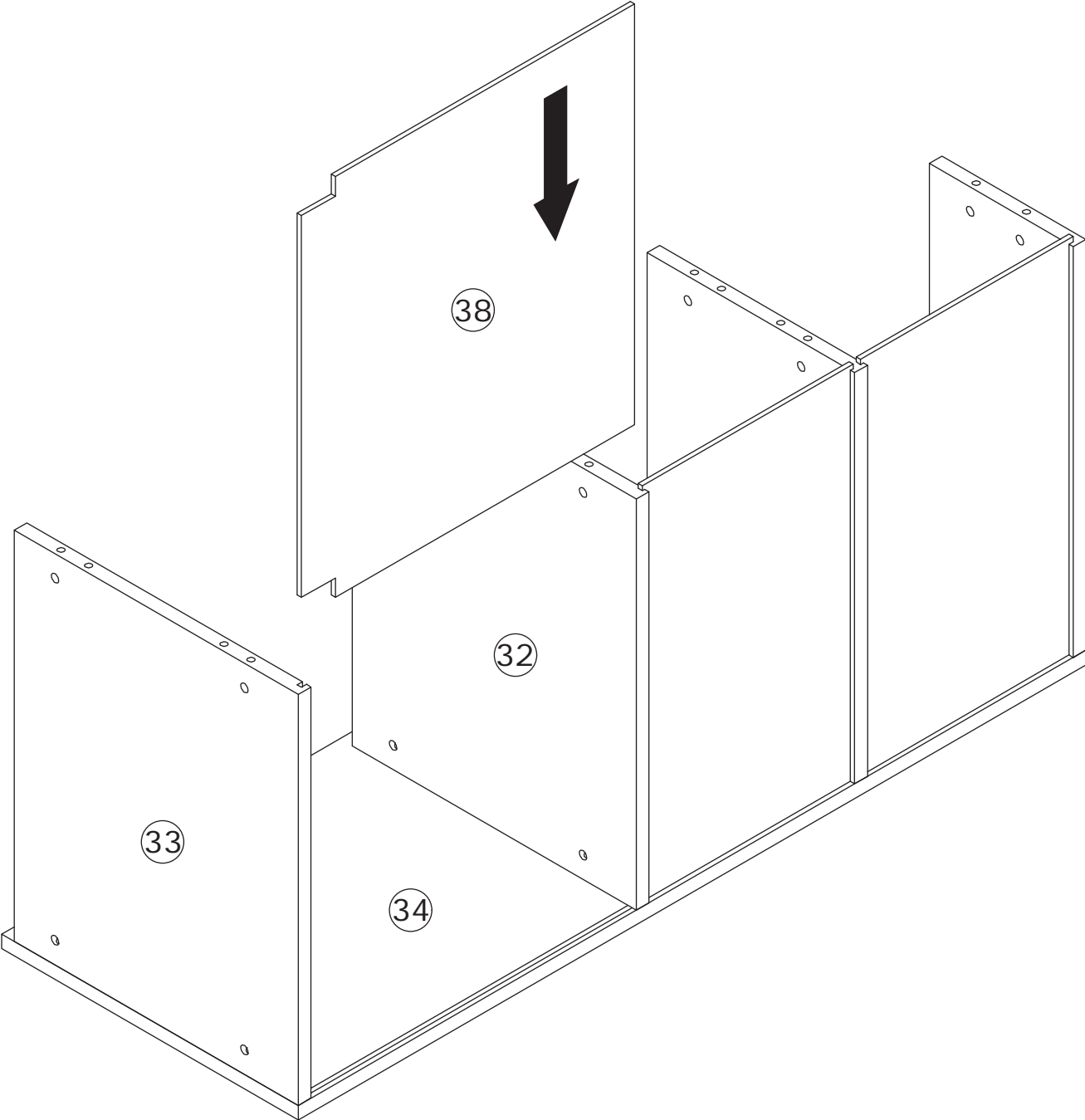
Insert panel 37 along the available slot.



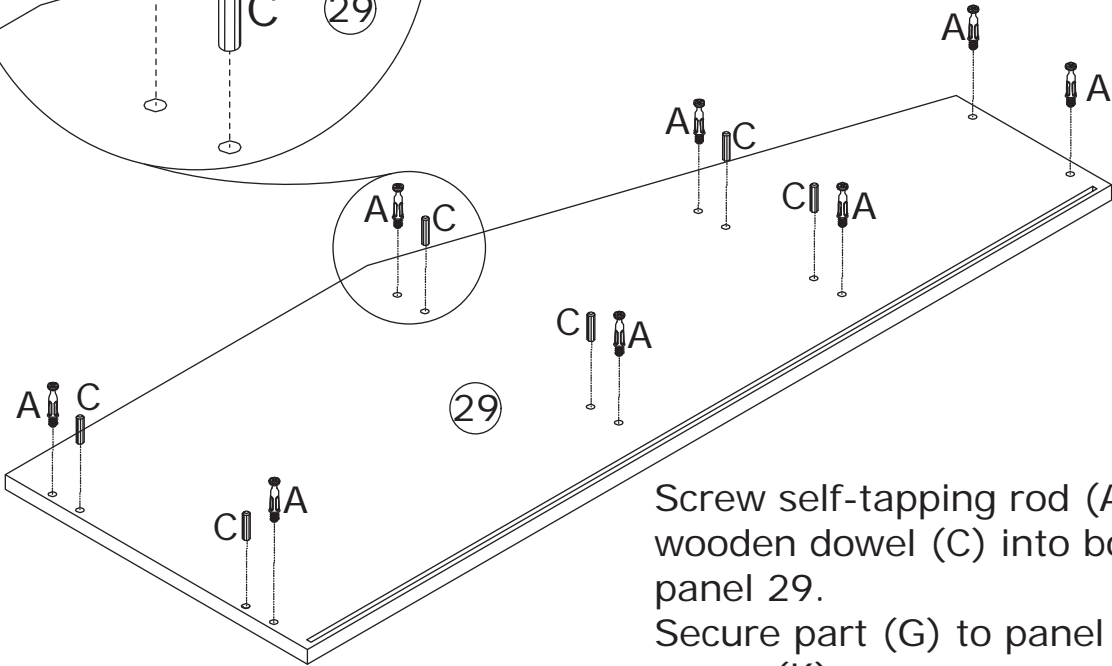
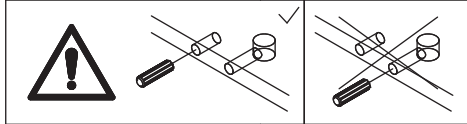
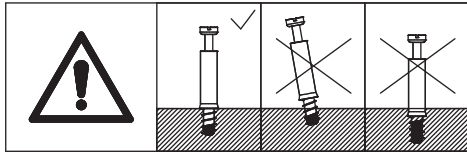
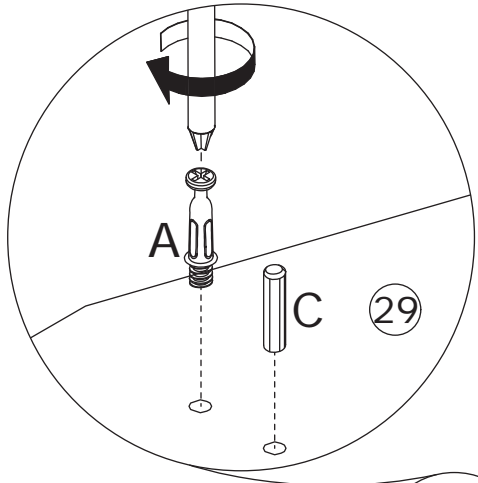
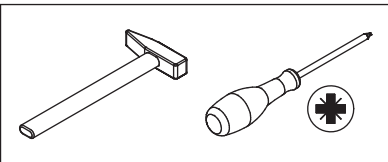
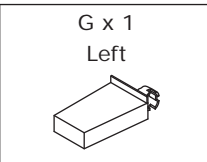
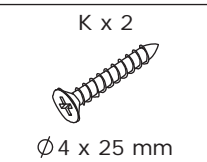
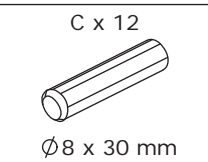
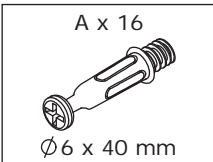
7



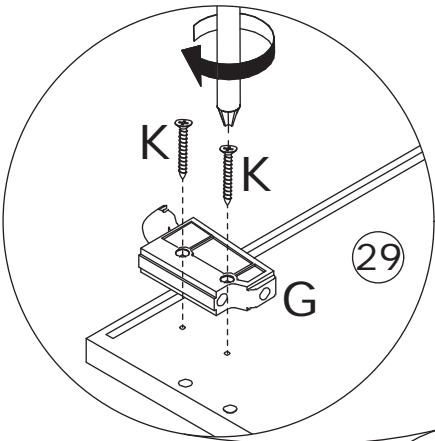
Insert panel 38 along the available slot.



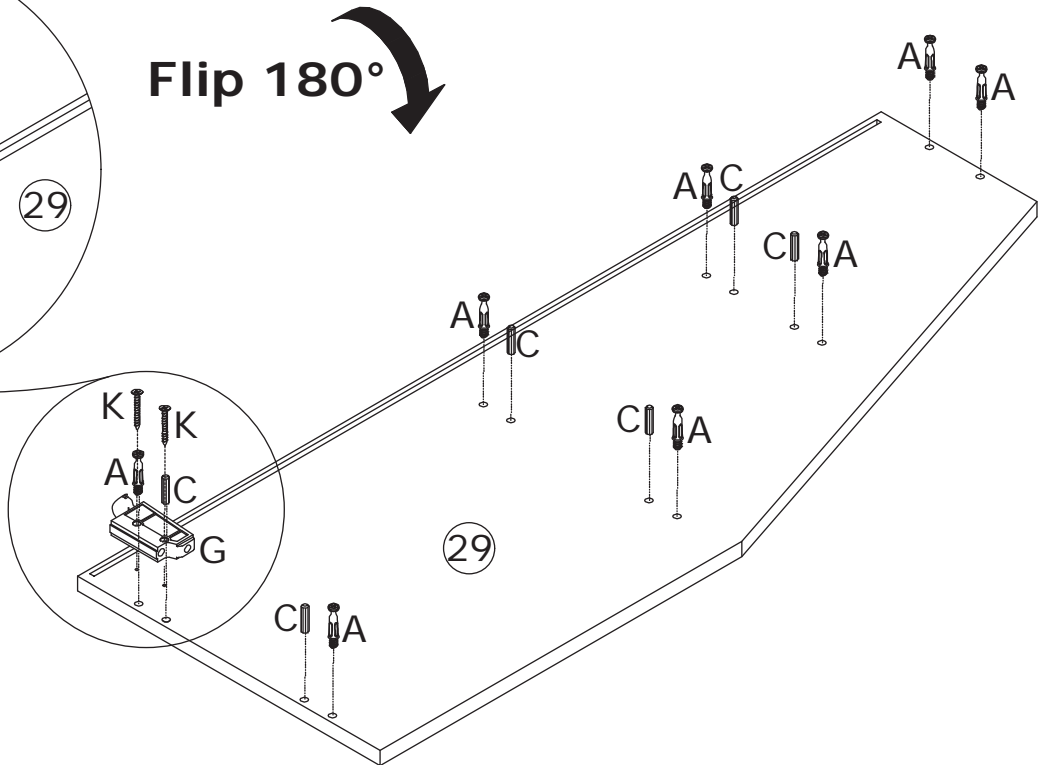
8



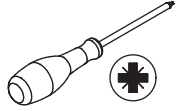
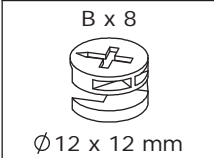
Screw self-tapping rod (A) and insert wooden dowel (C) into both sides of panel 29.
Secure part (G) to panel 29 using screw (K).



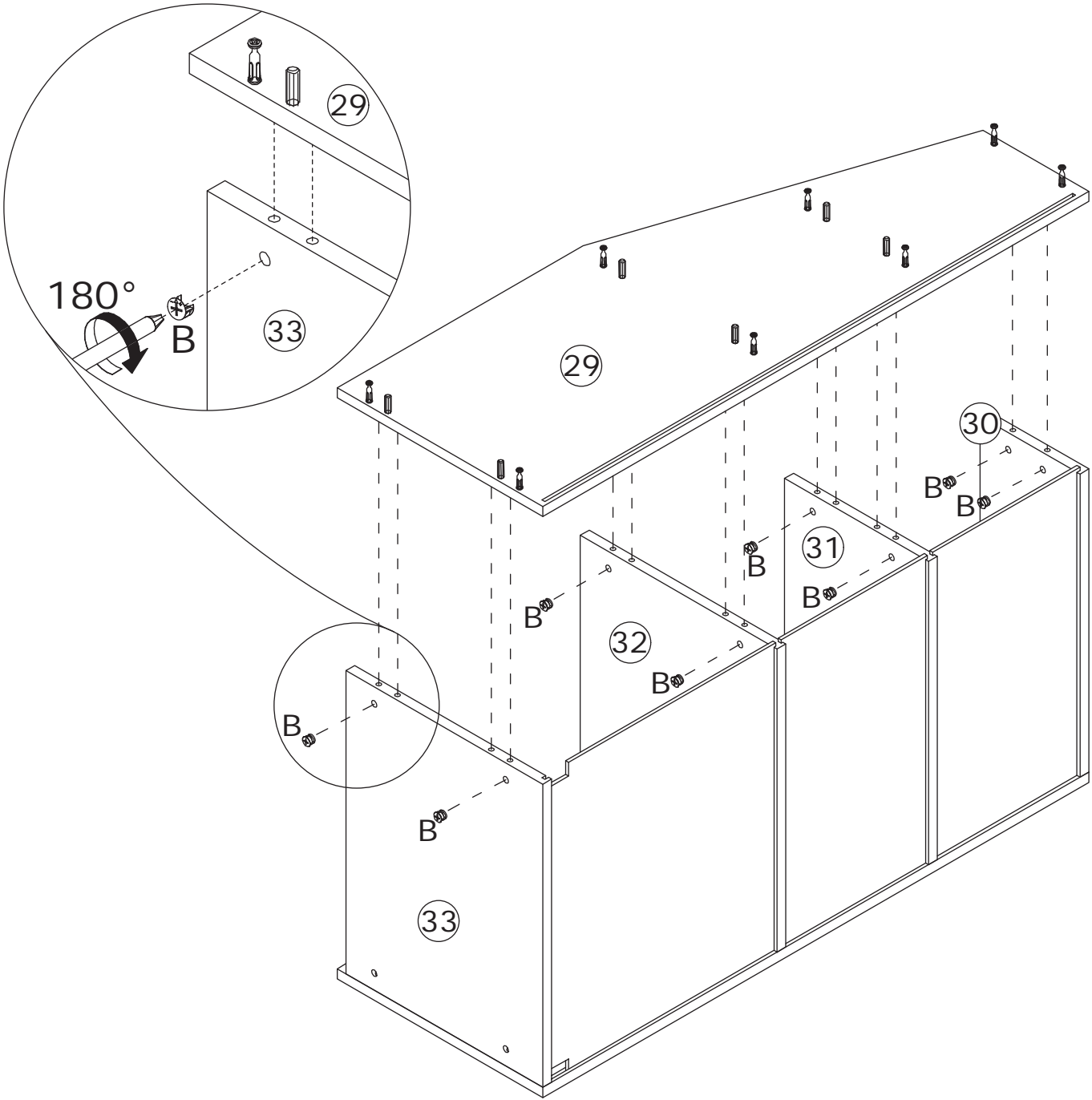
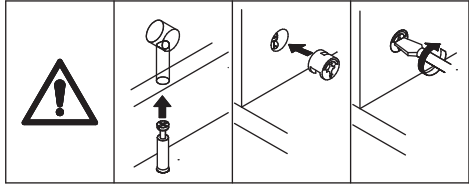
Flip 180°



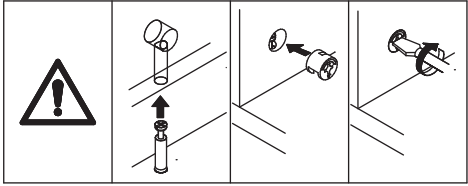
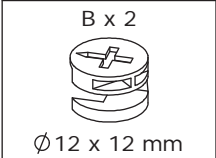
9



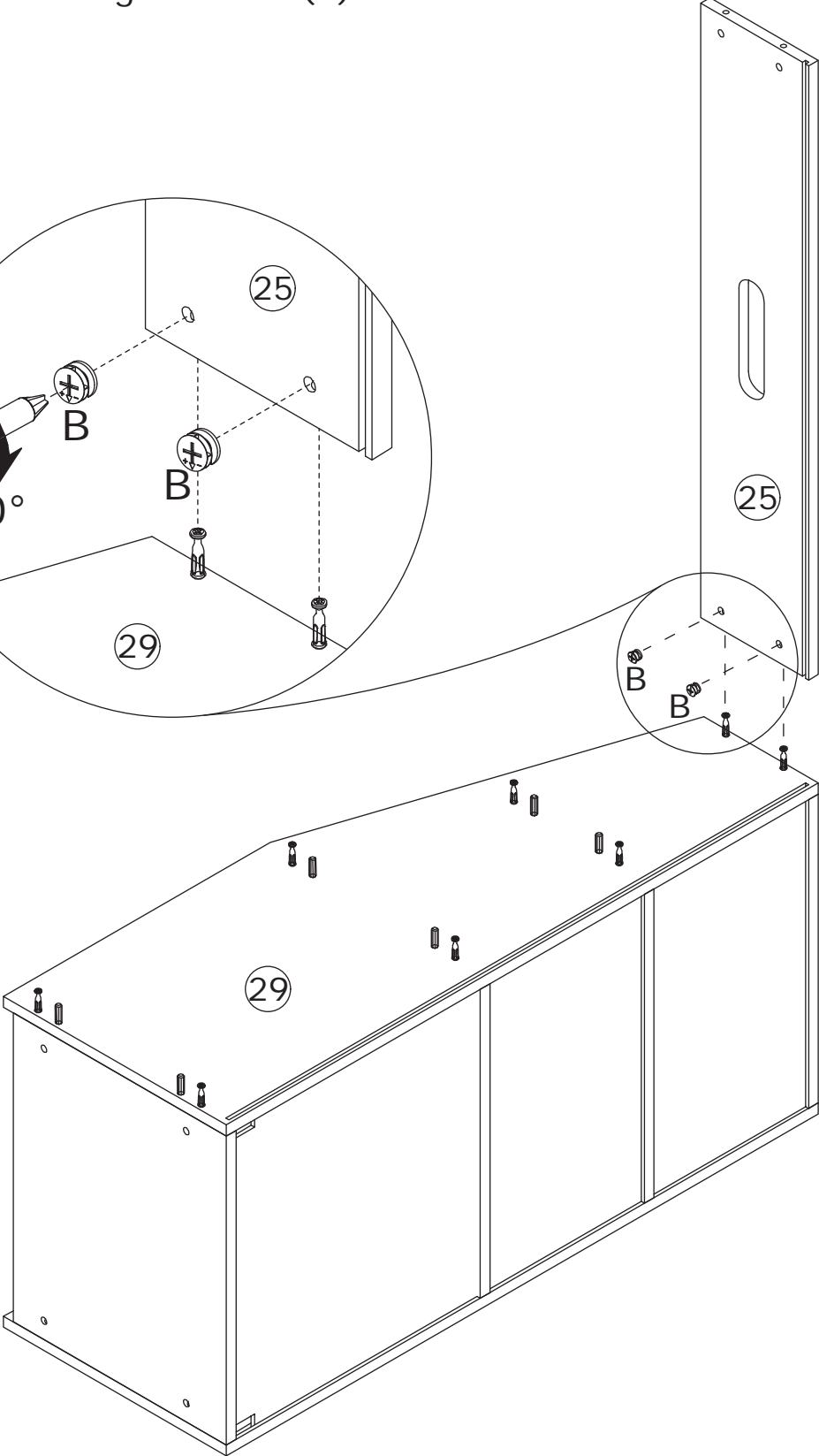
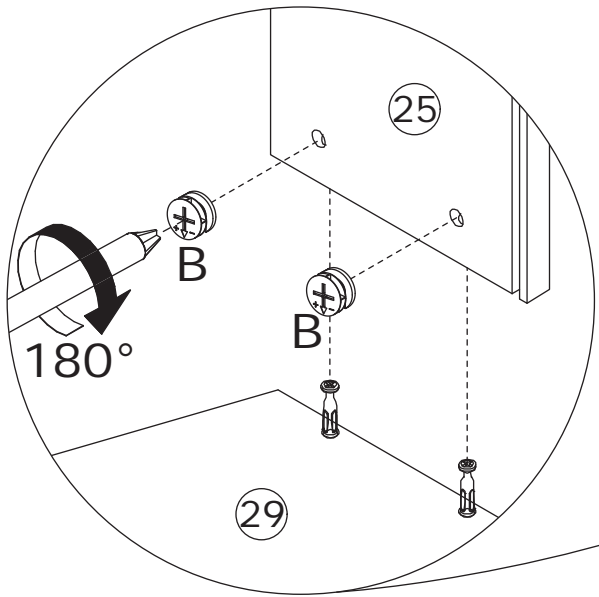
Connect panel 29 to panel 30, 31, 32 and 33, then tighten by turning cam lock (B) clockwise.



10

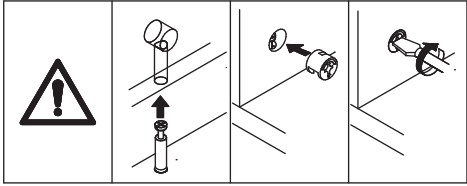


Connect panel 25 to panel 29, then tighten by turning cam lock (B) clockwise.

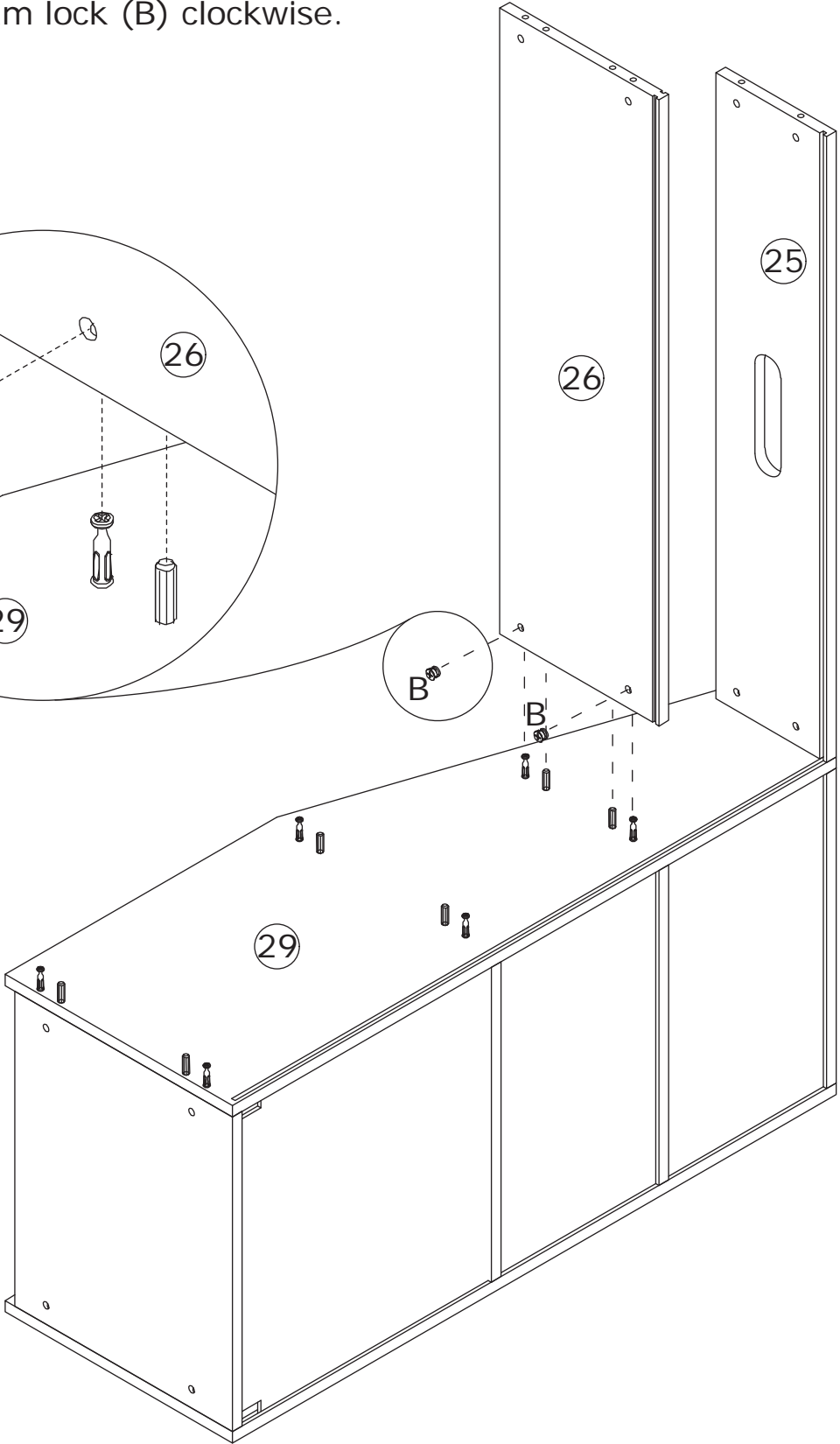
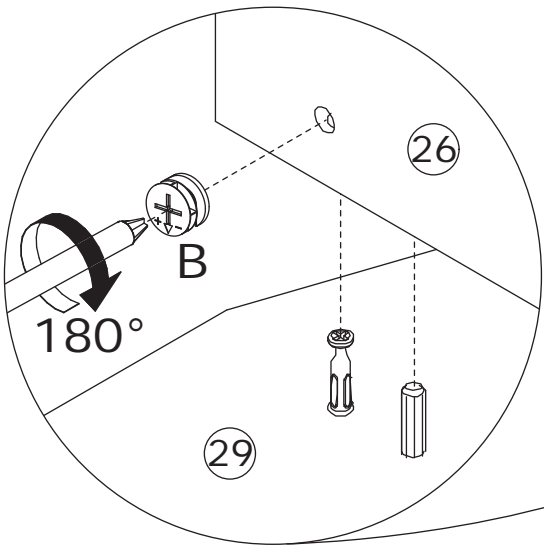


11

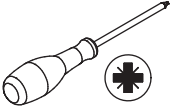
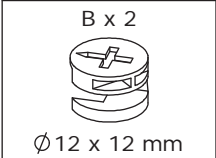
B x 2
Ø 12 x 12 mm



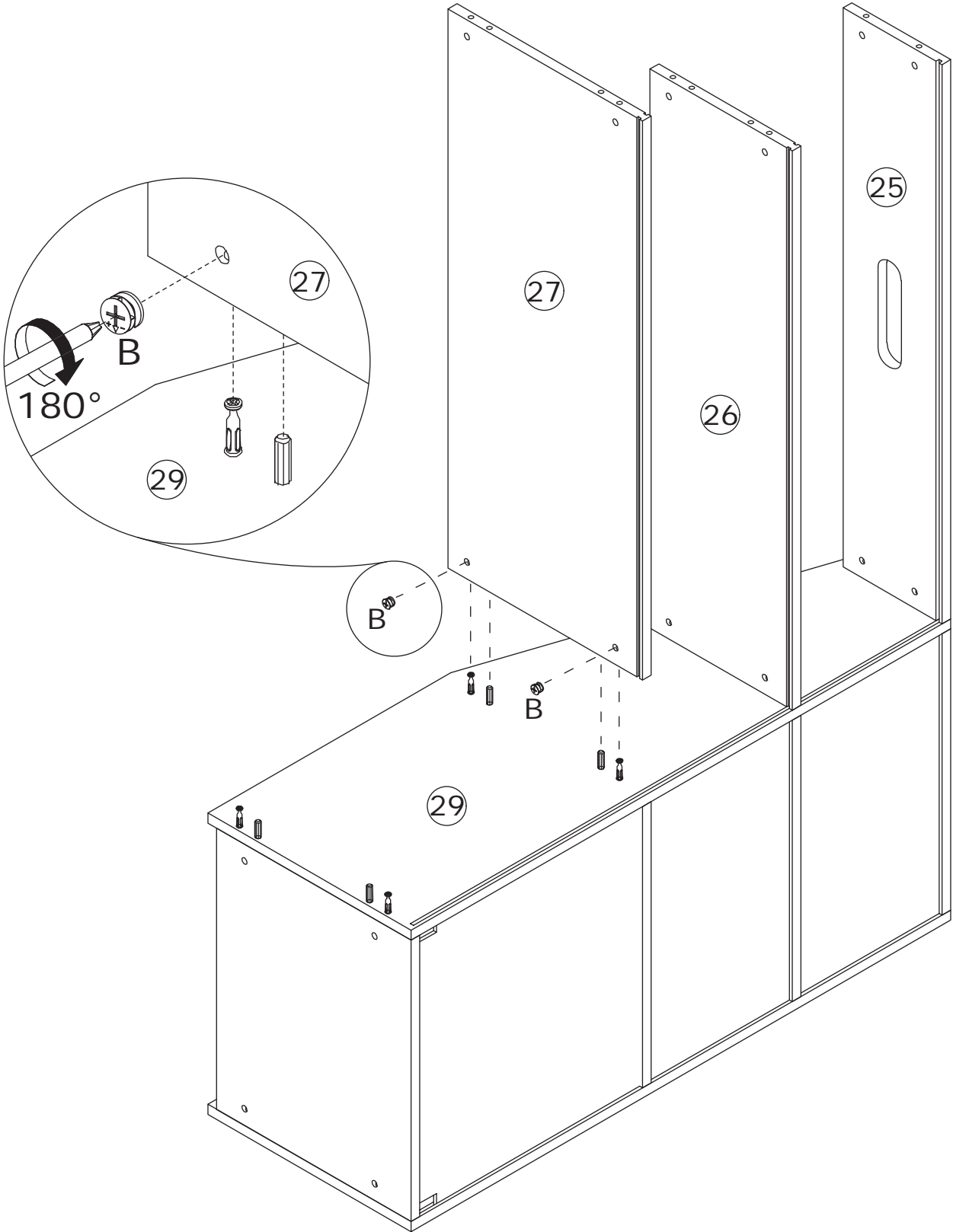
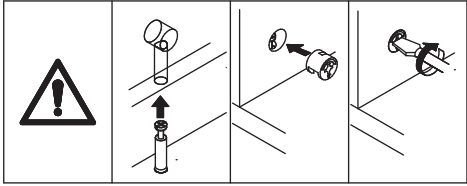
Connect panel 26 to panel 29, then tighten by turning cam lock (B) clockwise.



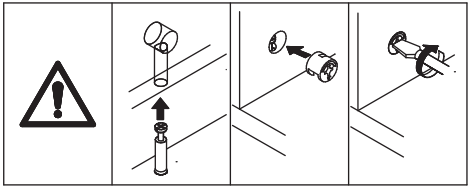
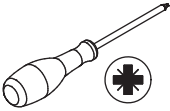
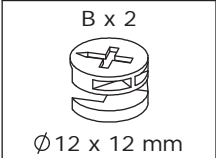
12



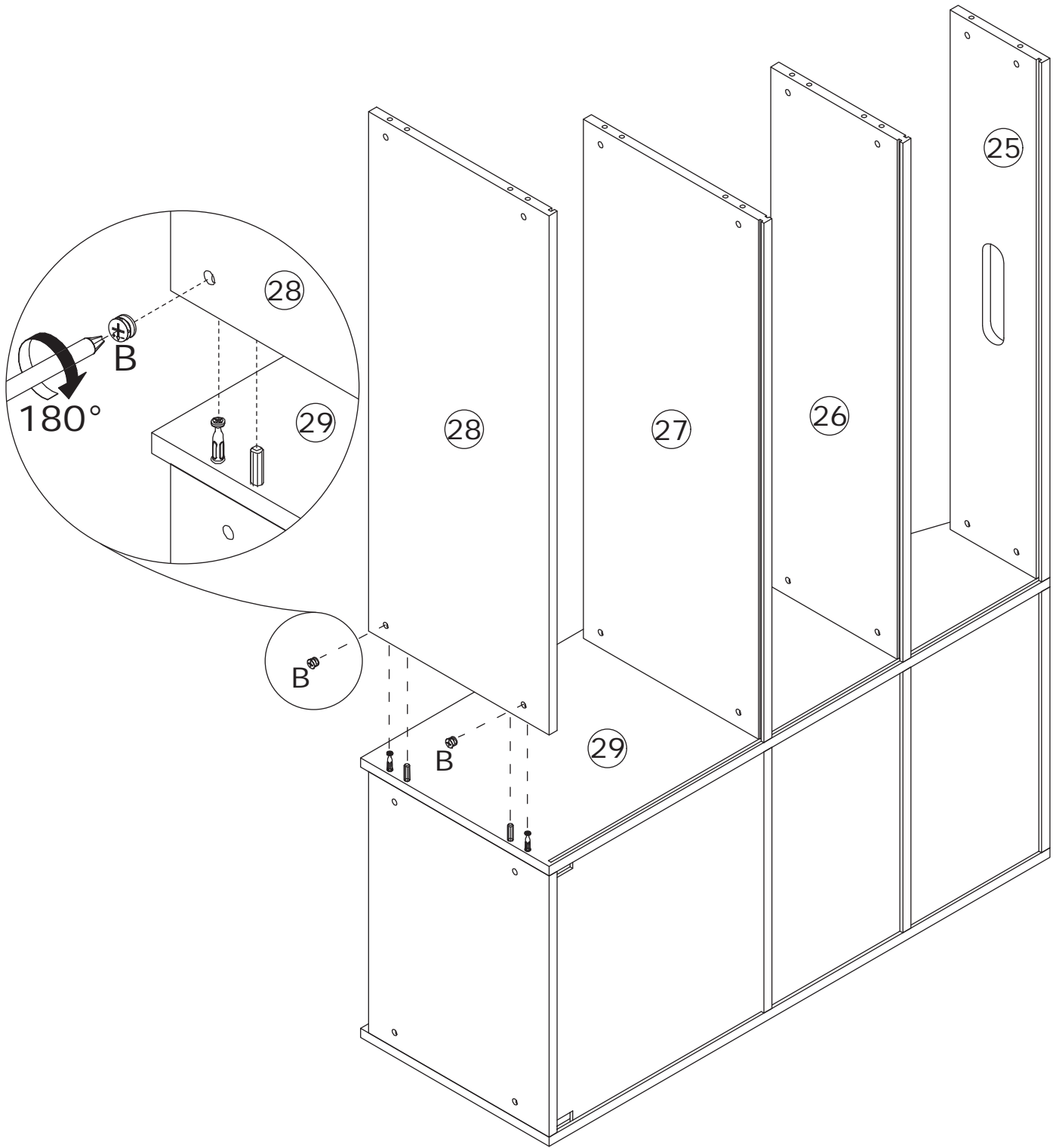
connect panel 27 to panel 29, then tighten by turning cam lock (B) clockwise.



13

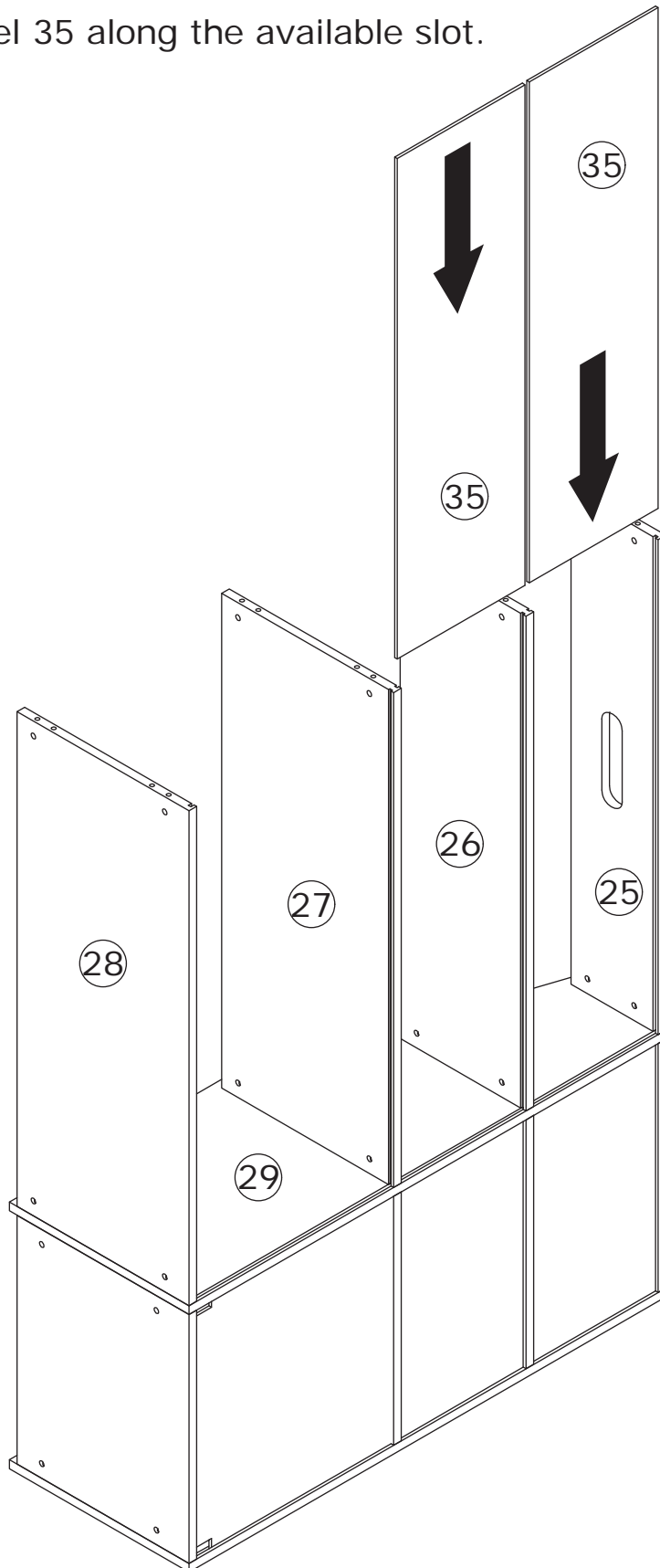


Connect panel 28 to panel 29, then tighten by turning cam lock (B) clockwise.

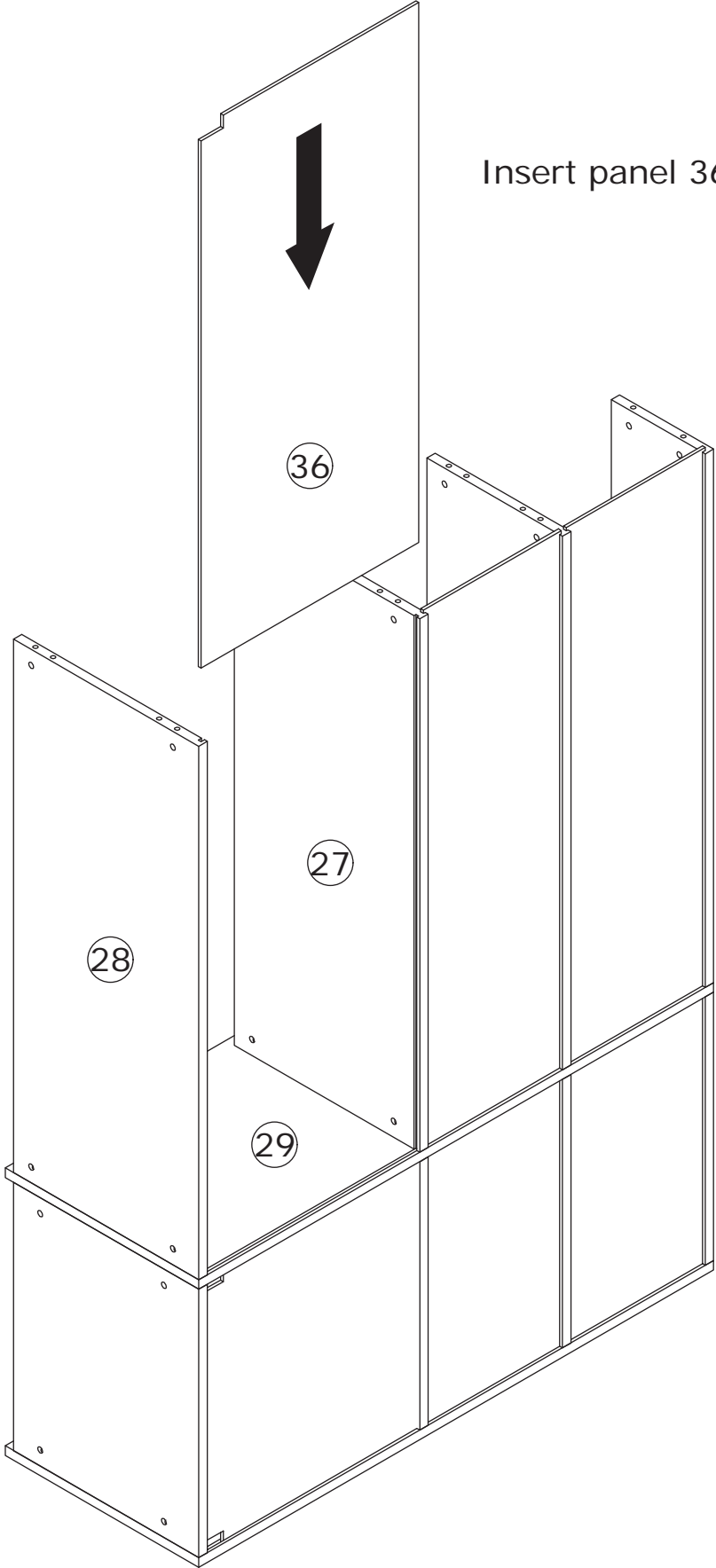


14

Insert panel 35 along the available slot.

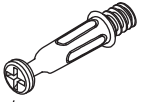
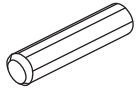

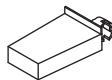
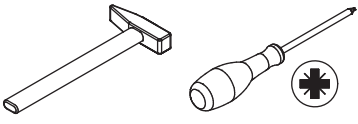


15

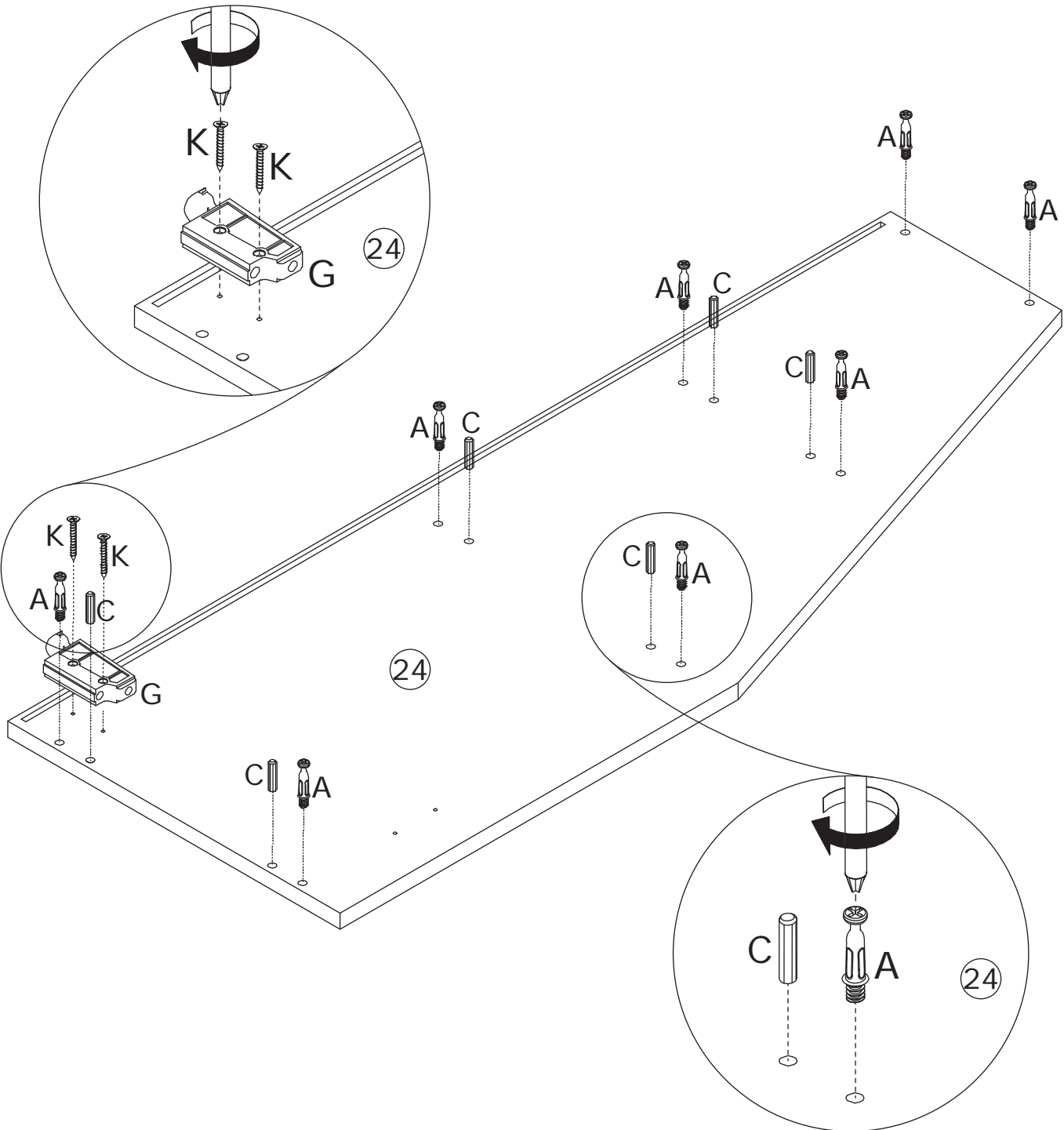
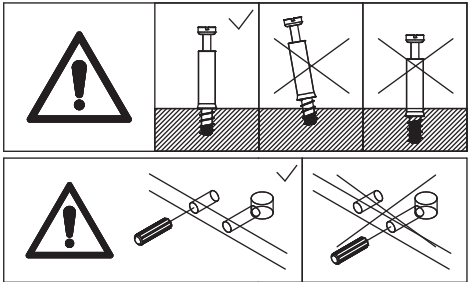


Insert panel 36 along the available slot.

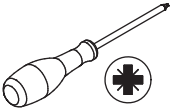
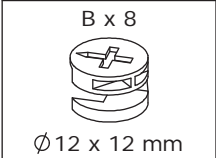
16

<p>A x 8  Ø6 x 40 mm</p>	<p>C x 6  Ø8 x 30 mm</p>	<p>K x 2  Ø4 x 25 mm</p>	<p>G x 1 Left </p>	
---	---	---	--	---

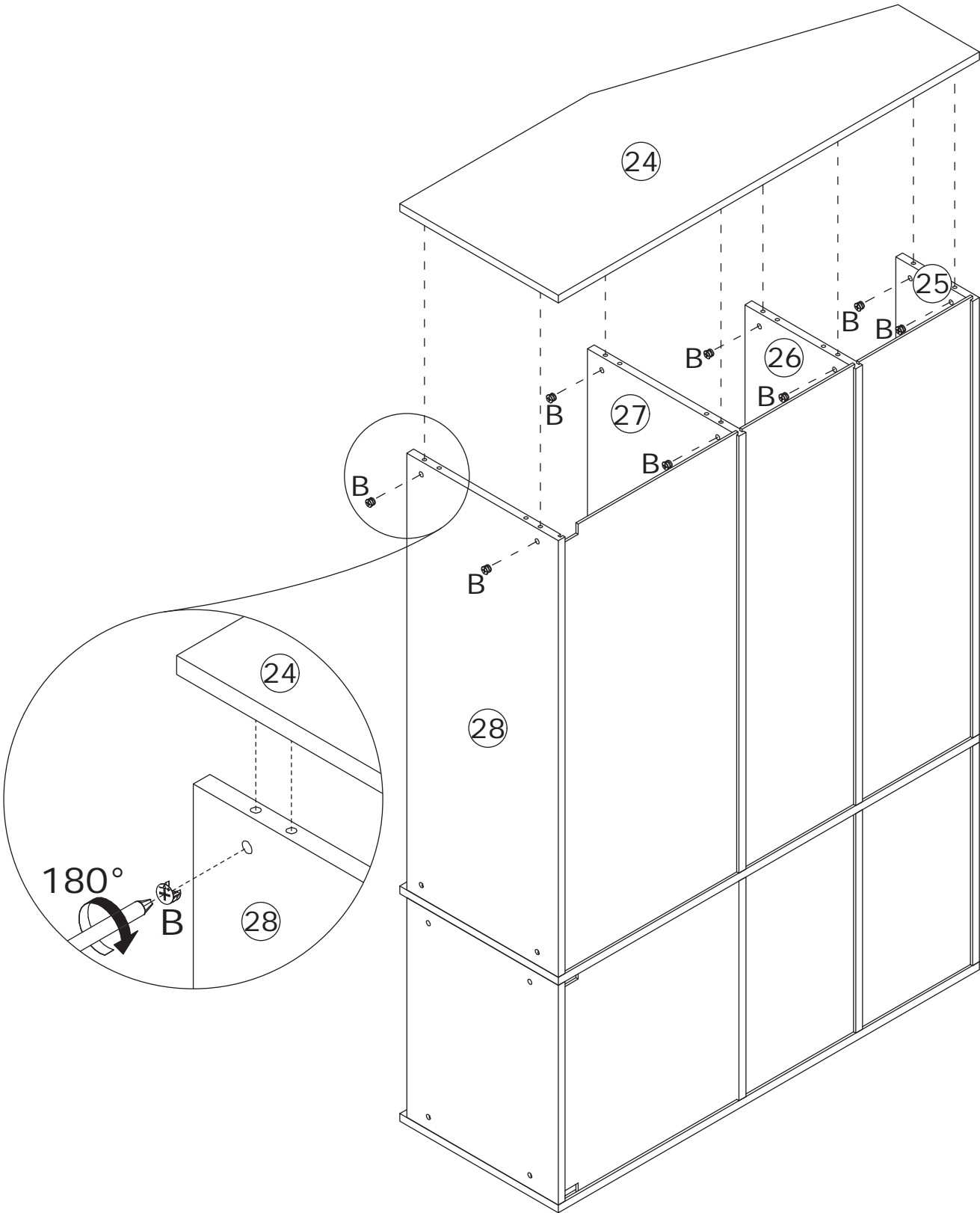
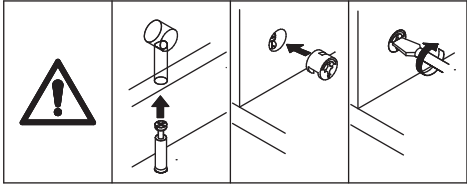
Screw self-tapping rod (A) and insert wooden dowel (C) into panel 24.
Secure part (G) to panel 24 using screw (K).



17



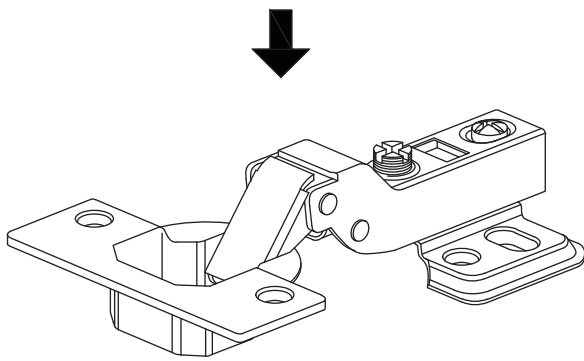
Connect panel 24 to panel 25, 26, 27 and 28, then tighten by turning cam lock (B) clockwise.



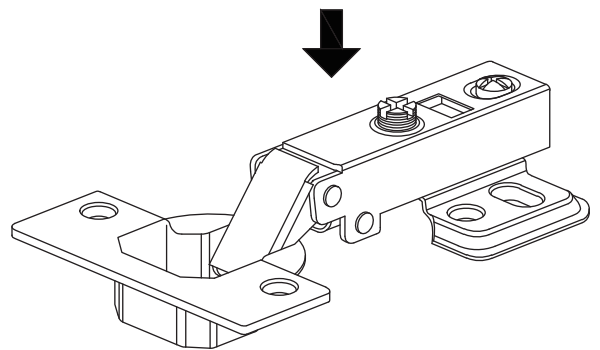


Pay attention to the difference between the middle parts of the two types of door hinges.

- The curved door hinges(O) are used on the outermost door plates
- And the full coverage door hinges(N) are used on the door panel in the middle of the cabinet.



O


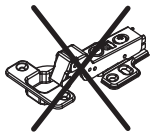
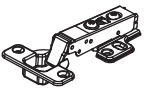


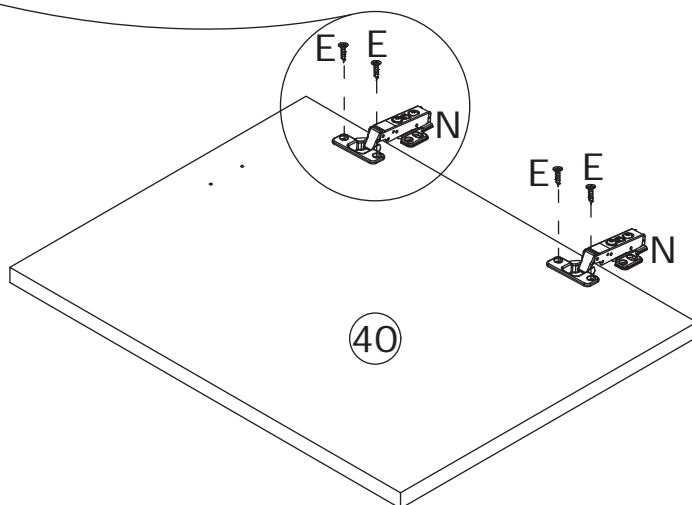
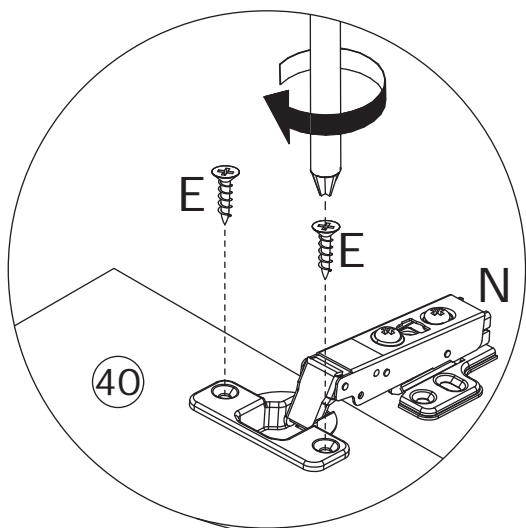
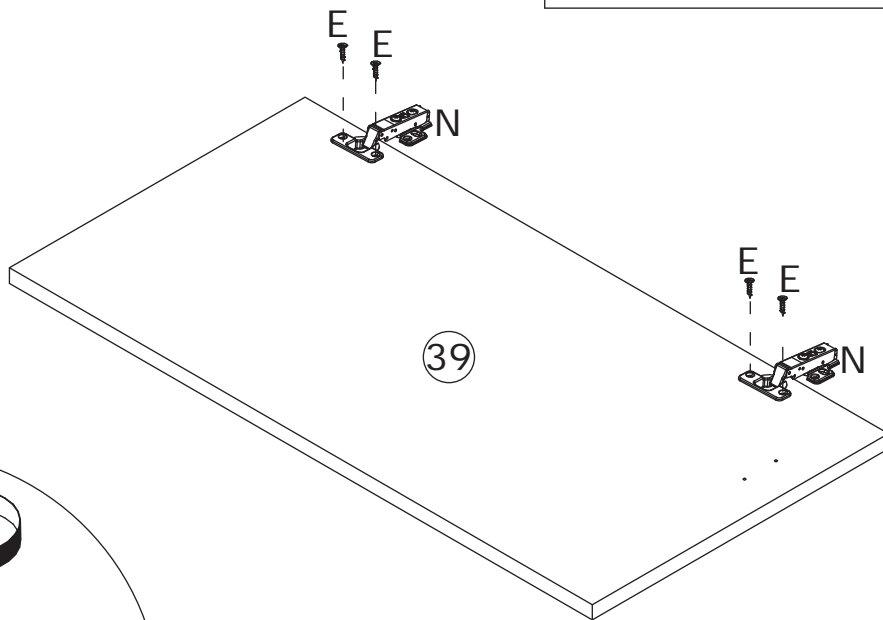
N

19

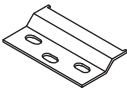
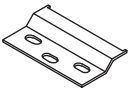
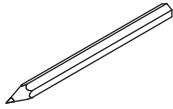
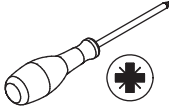
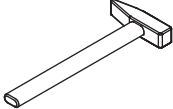



<p>E x 8</p>  <p>Ø 3.9 x 16 mm</p>	<p>N x 4</p> 	
---	--	---

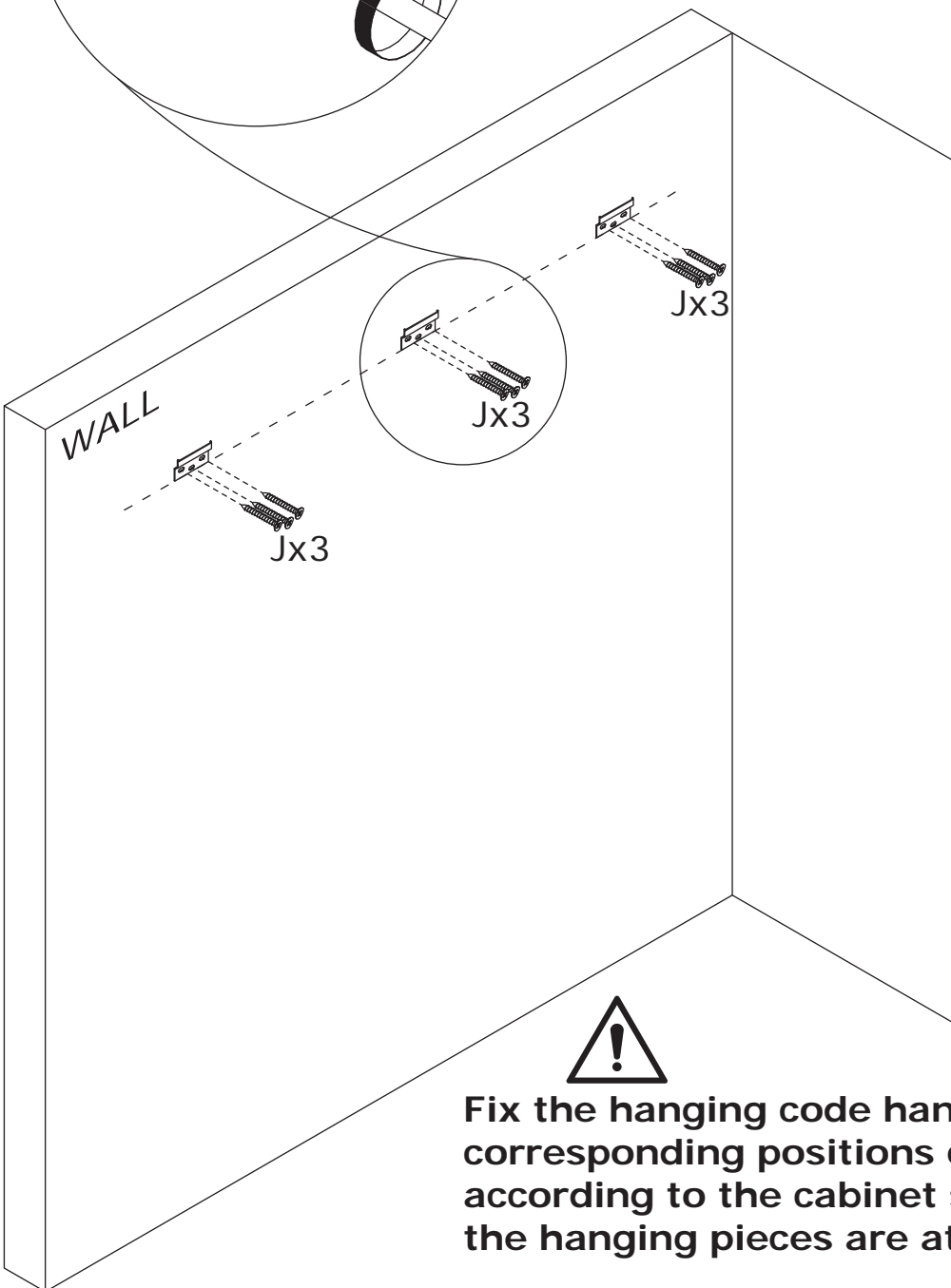
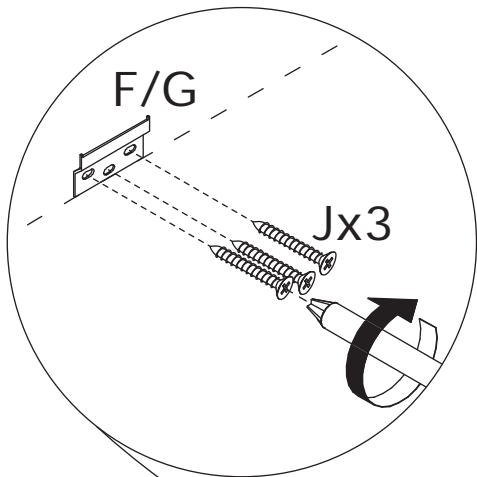
Secure hinge (N) to panel 39 and 40 using screw (E).

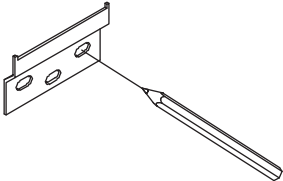
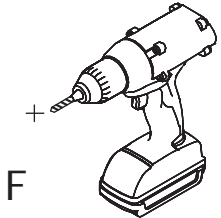
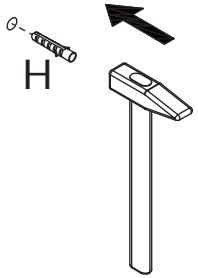
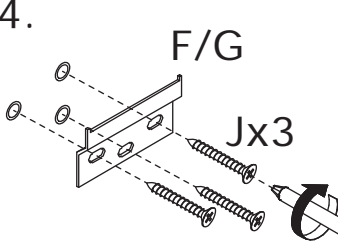
		<p>N</p> 
---	---	--



20

F x 1 	G x 2 				
H x 9  Ø8 x 60 mm	J x 9  Ø5 x 60 mm				



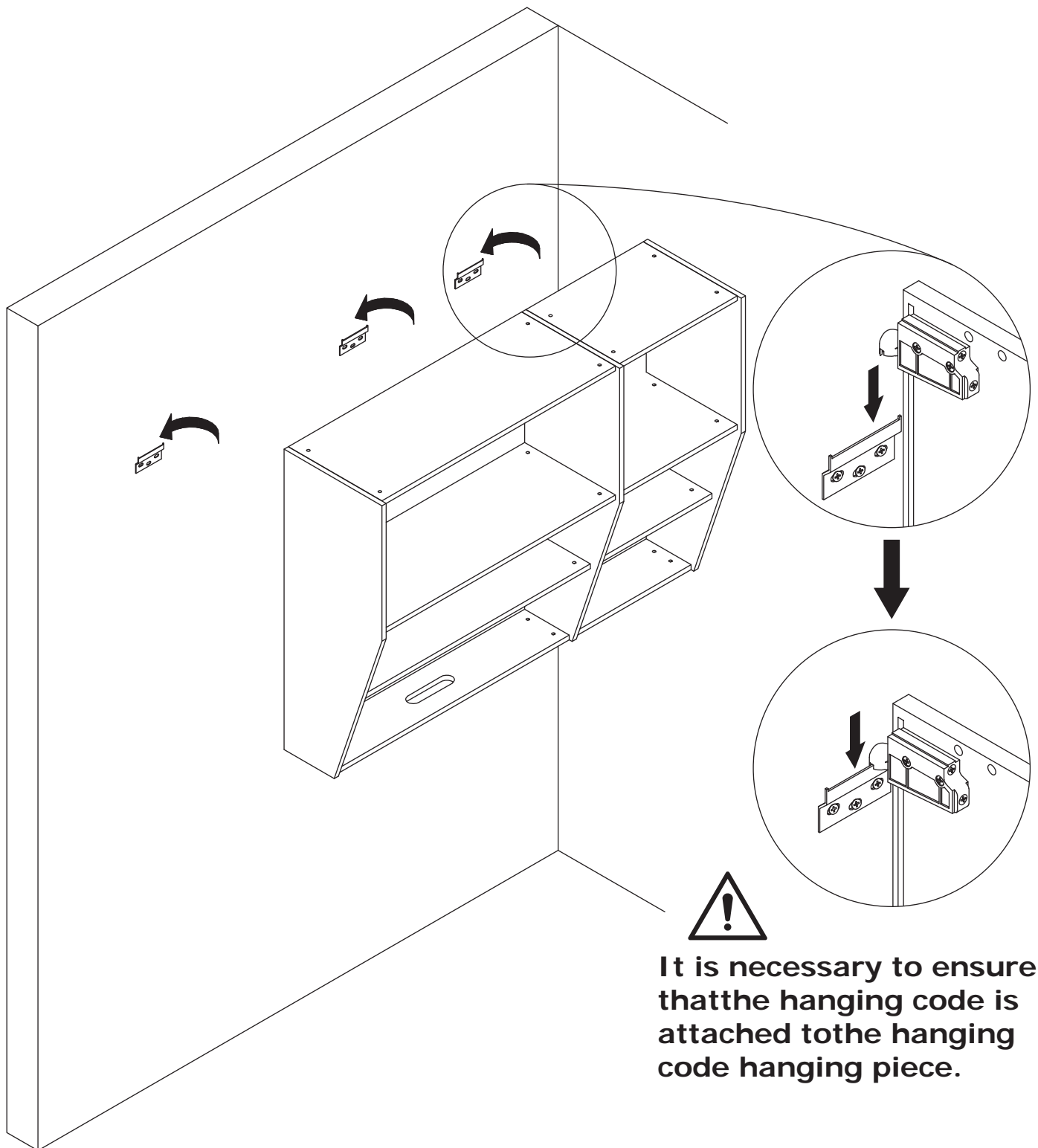
- 
- 
- 
- 



Fix the hanging code hanging pieces at the corresponding positions on the wall according to the cabinet size, ensuring that the hanging pieces are at the same height.

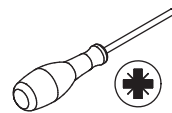
21

Hang the wall cabinet on the cabinet hanger.

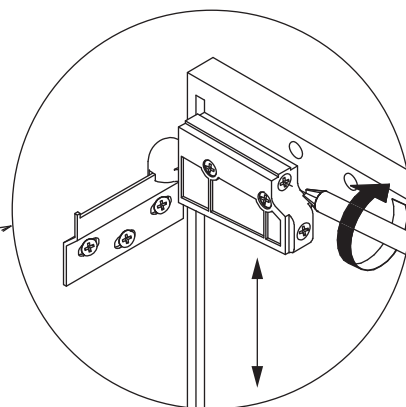
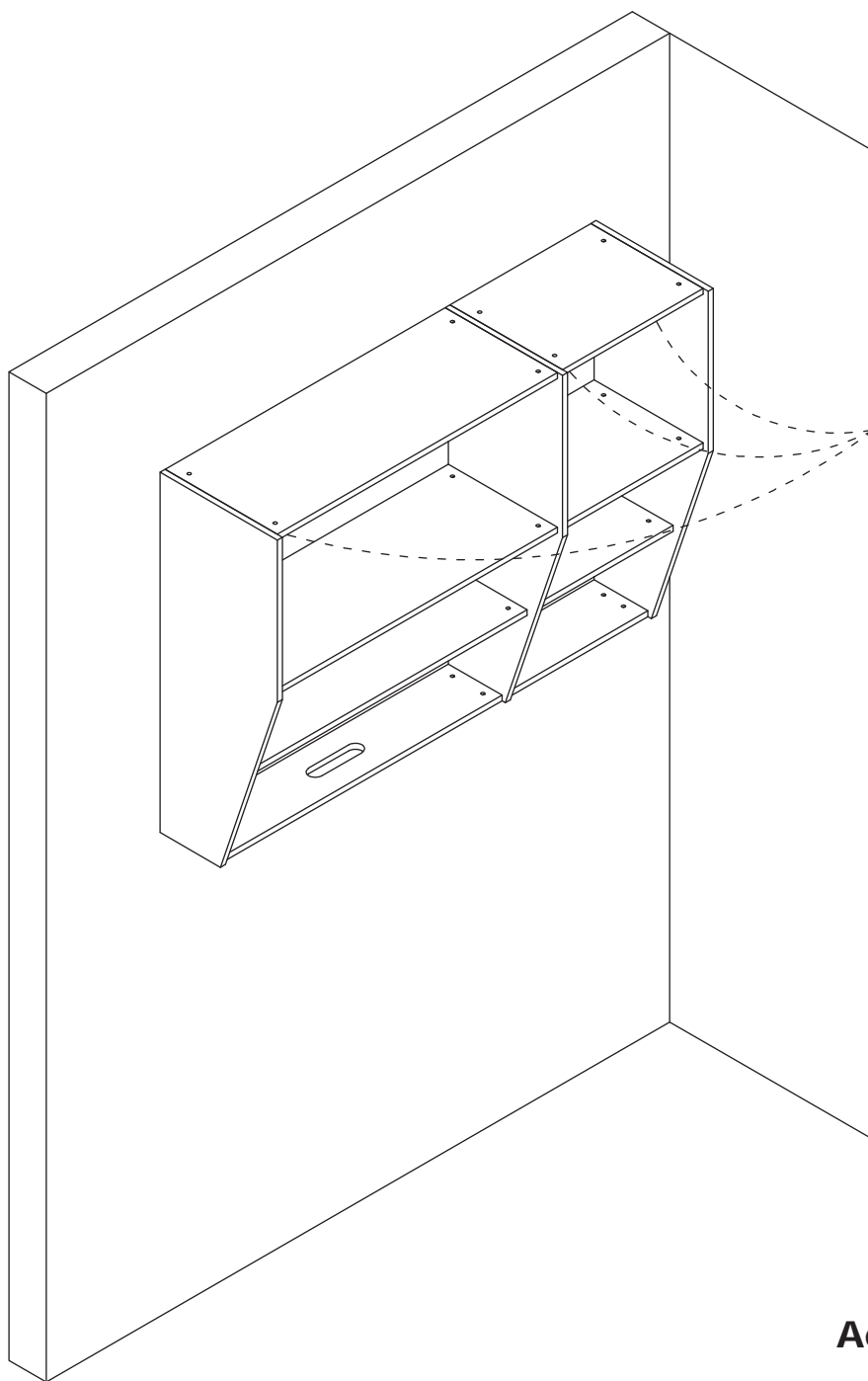


It is necessary to ensure that the hanging code is attached to the hanging code hanging piece.

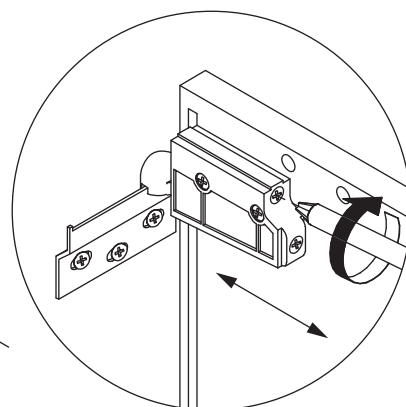
22



Adjust the cabinet height and front/rear position via components (F) and (G).

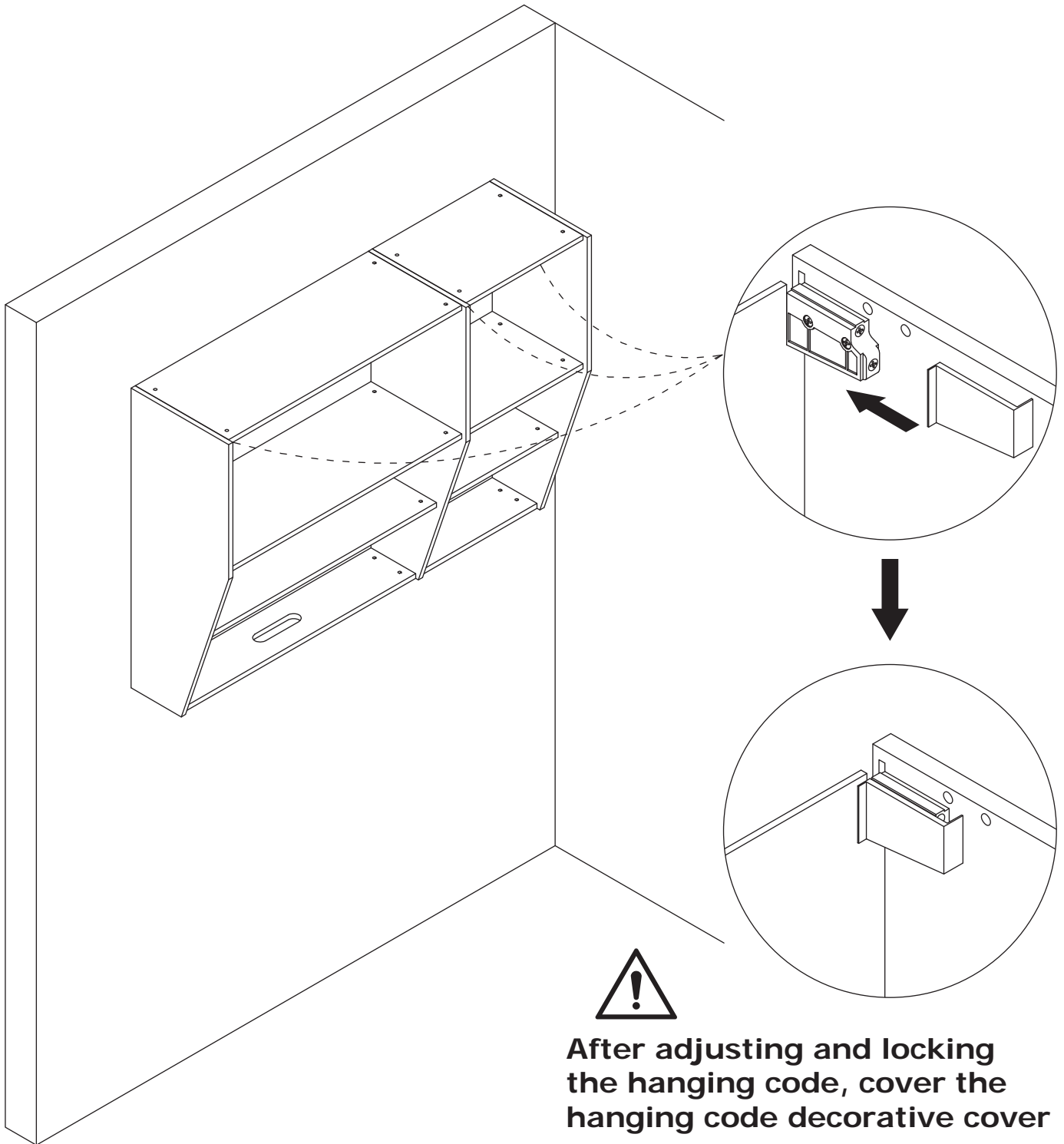


Adjust up and down



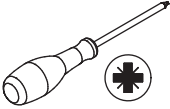
Adjust before and after

23

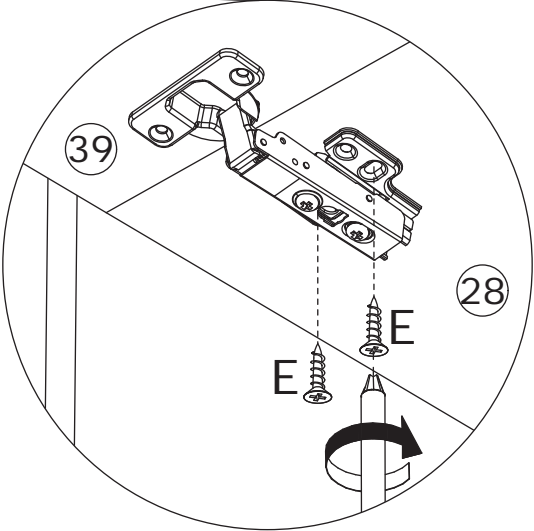
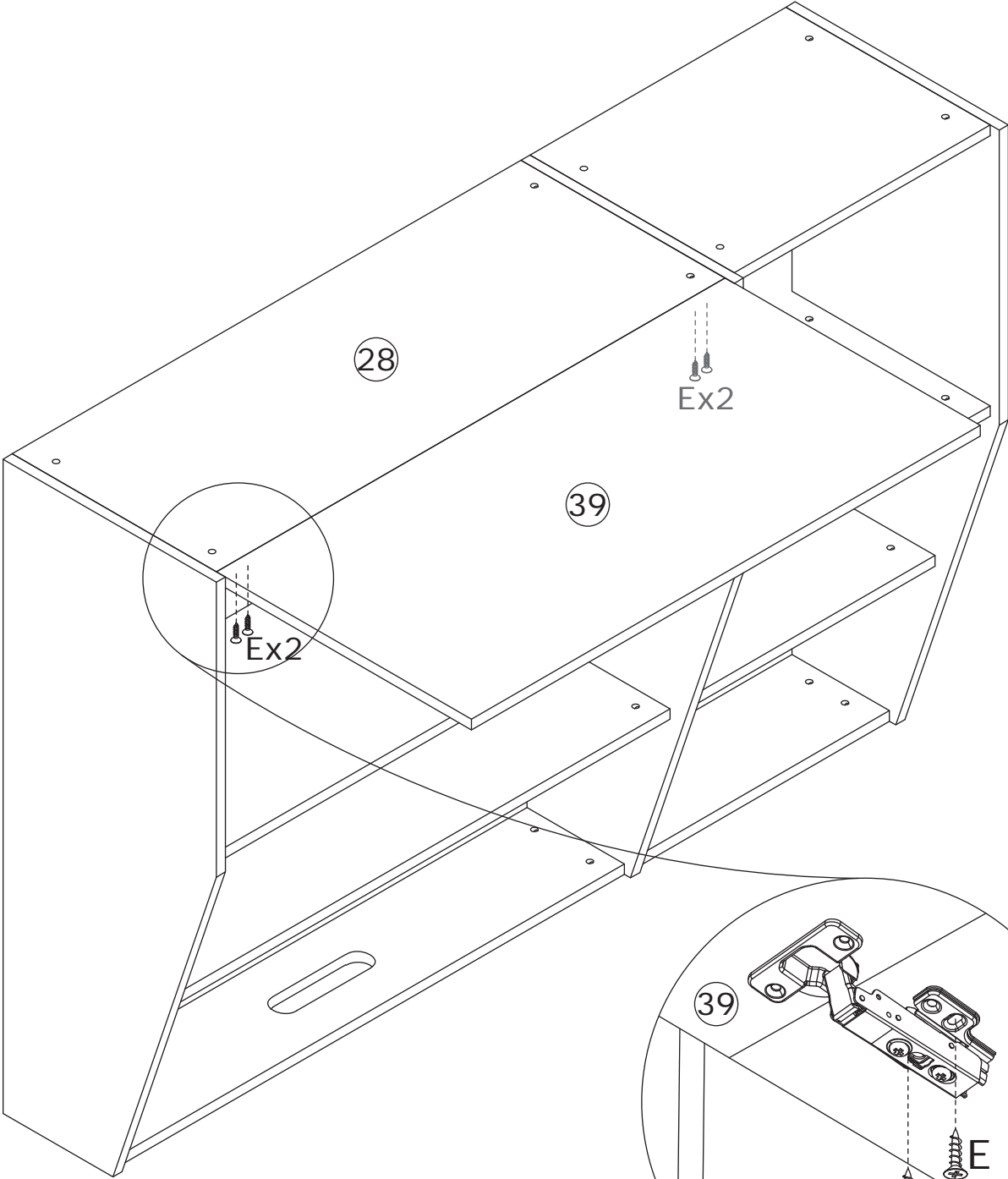


24

E x 4
Ø3.9 x 16 mm



Secure panel 39 to panel 28 via hinges using screw (E).

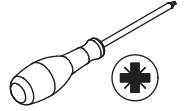


25

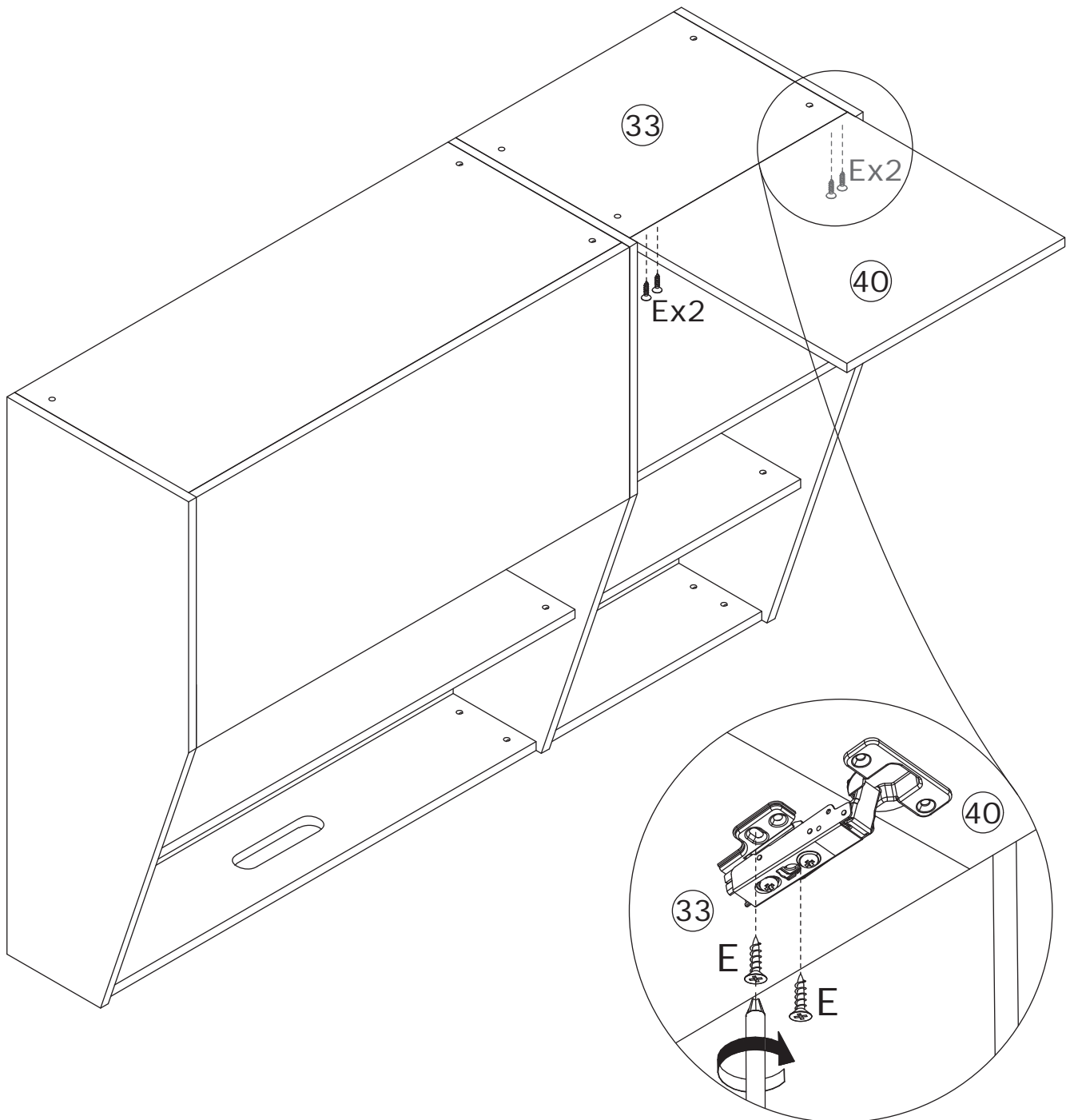
E x 4



Ø3.9 x 16 mm

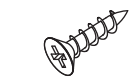


Secure panel 40 to panel 33 via hinges using screw (E).



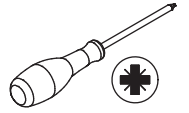
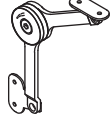
26

E x 4

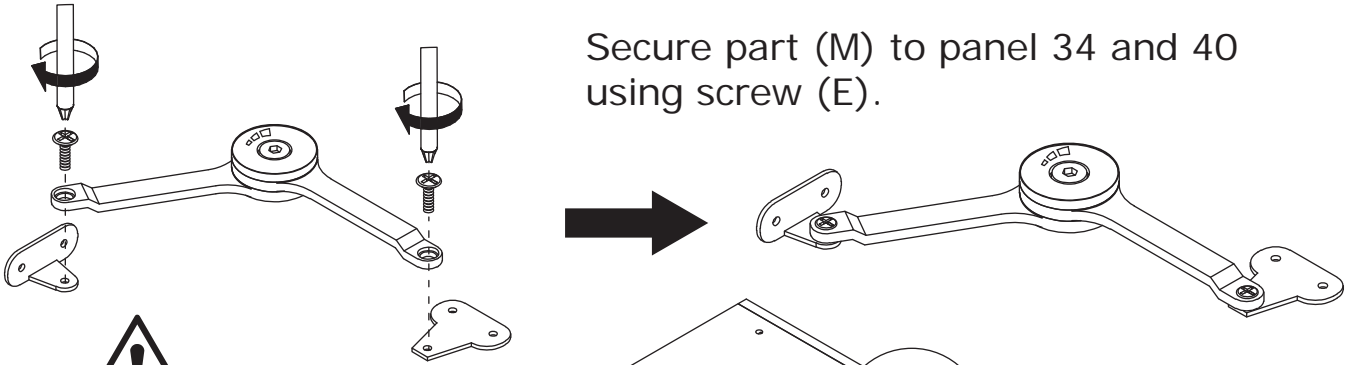


Ø3.9 x 16 mm

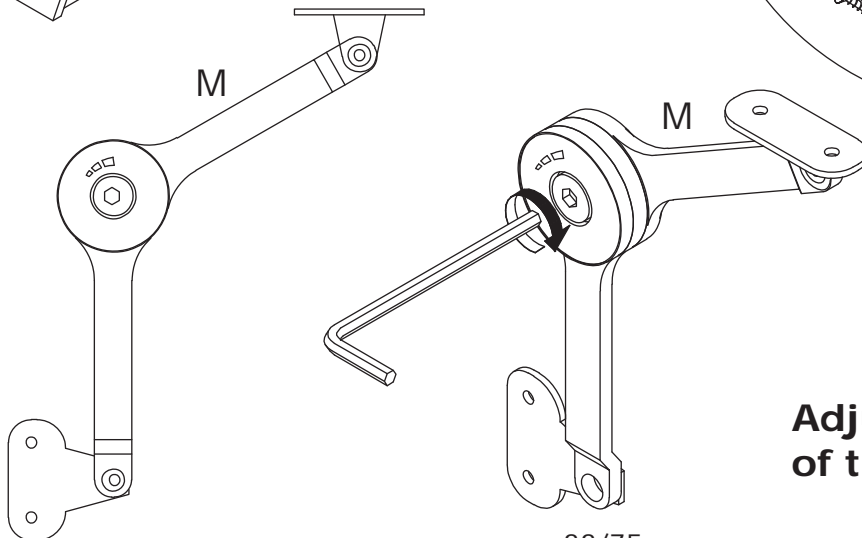
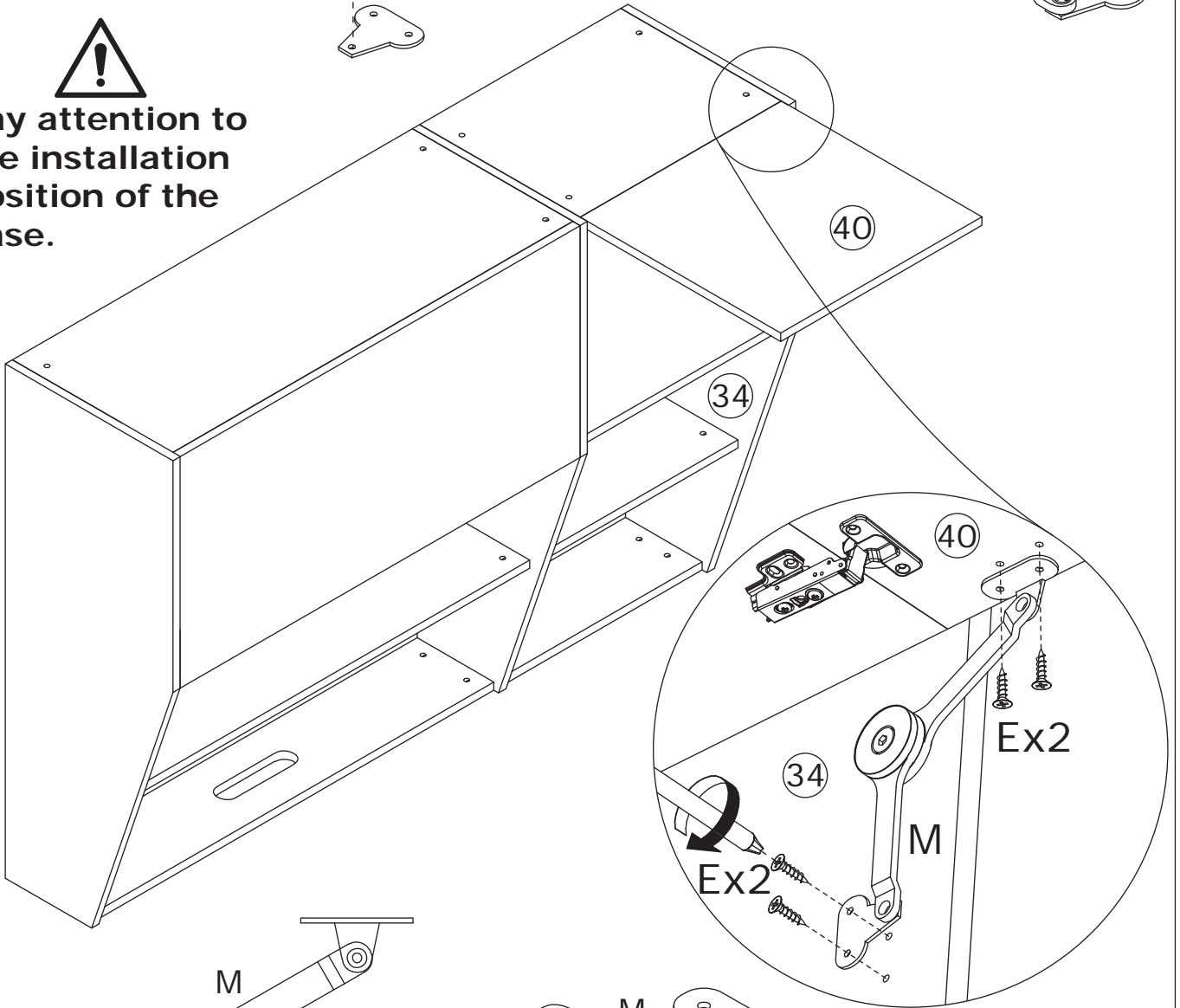
M x 1



Secure part (M) to panel 34 and 40 using screw (E).



Pay attention to the installation position of the base.



Adjust the strength of the support

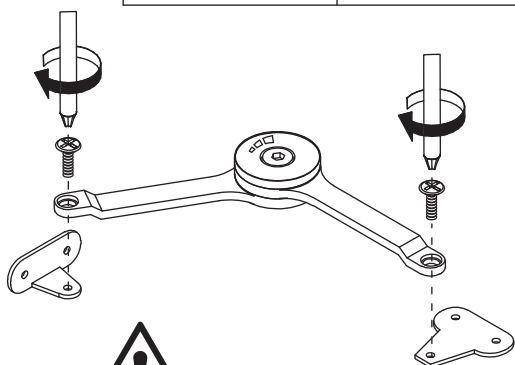
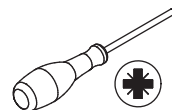
27

E x 4

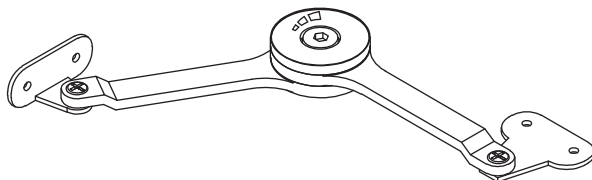


Ø3.9 x 16 mm

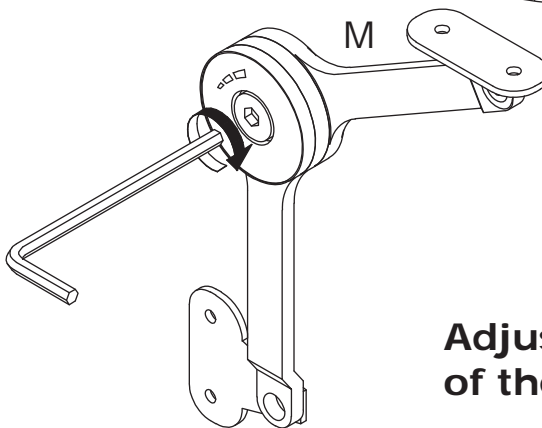
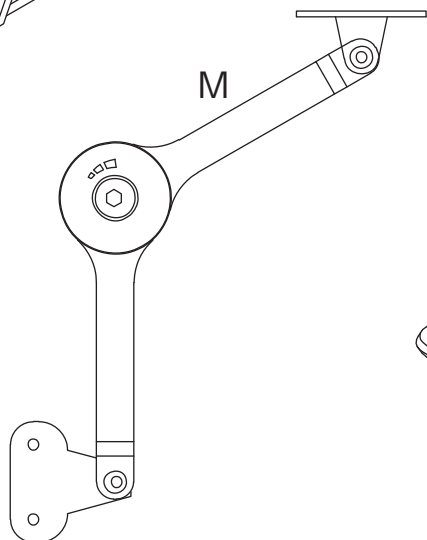
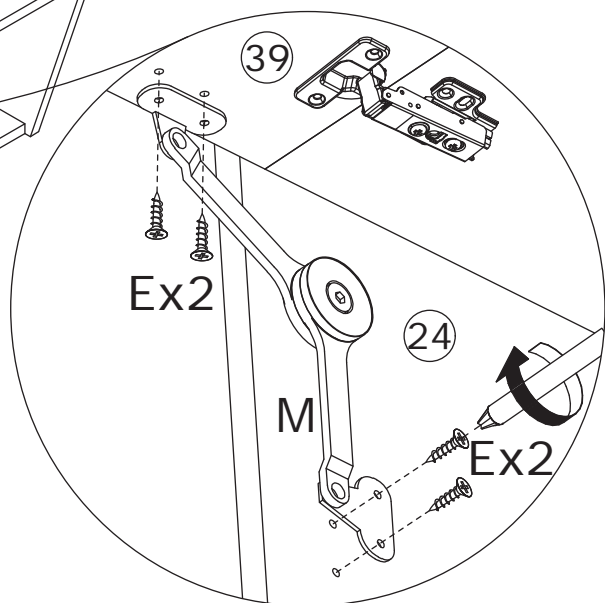
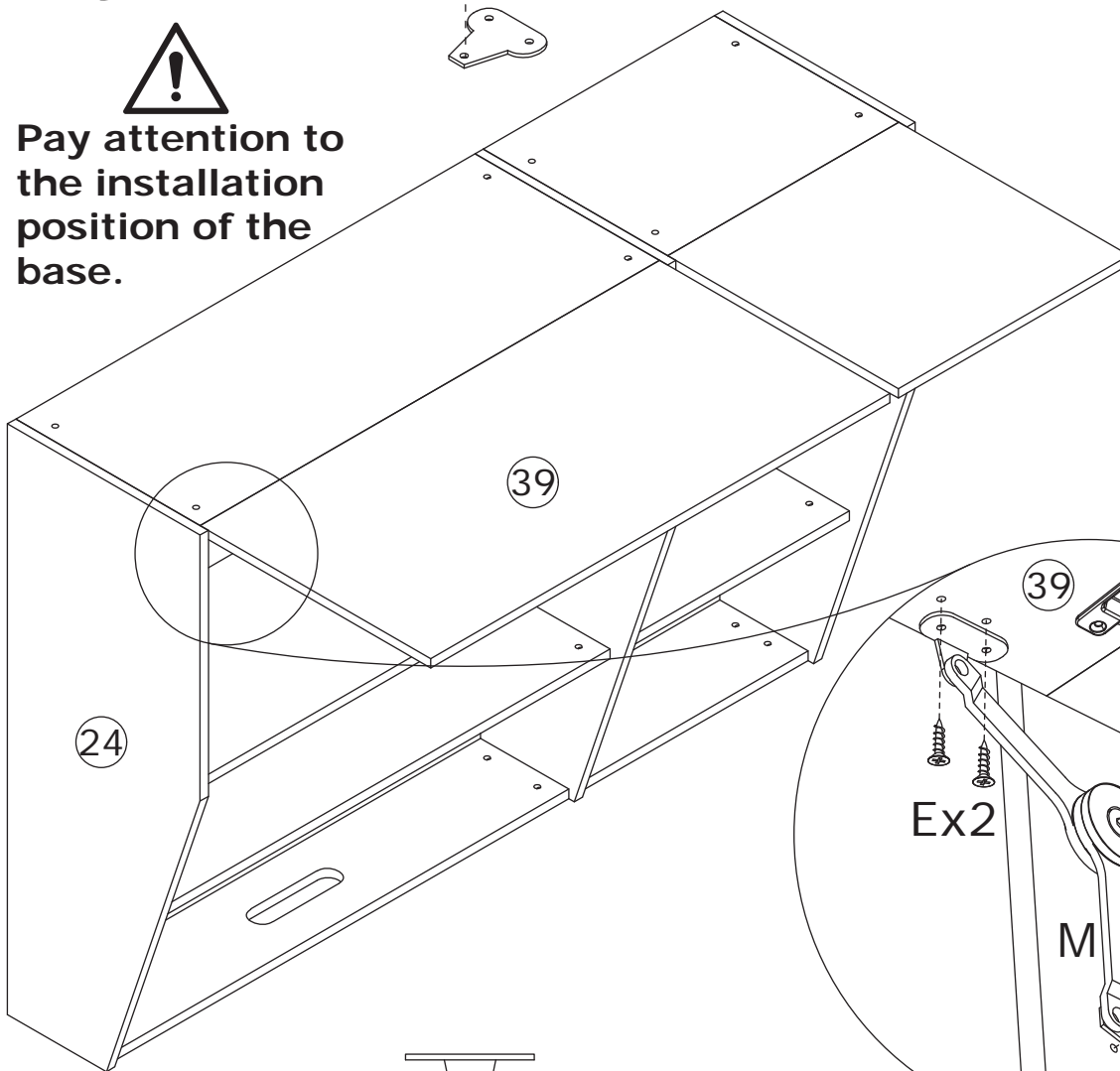
M x 1



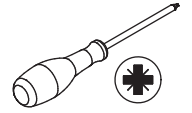
Secure part (M) to panel 24 and 39 using screw (E).



Pay attention to the installation position of the base.



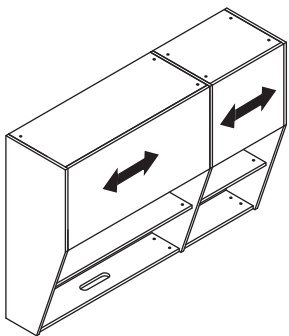
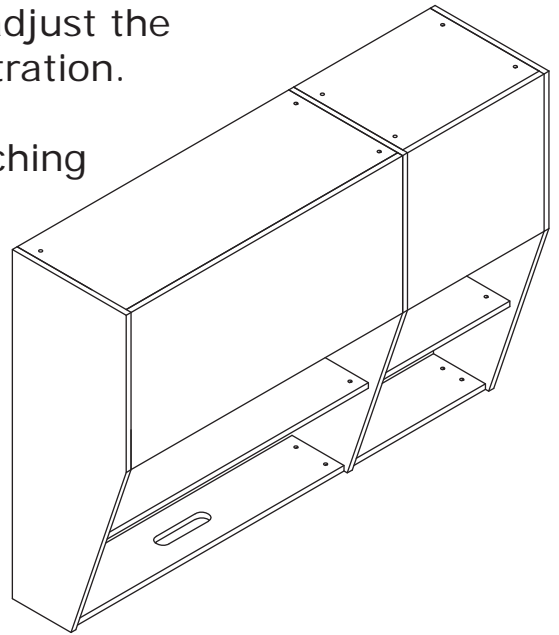
Adjust the strength of the support



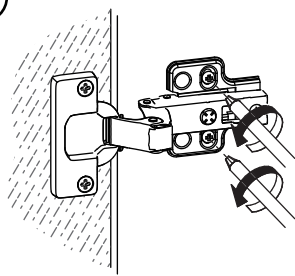
If the door panels are not aligned, please adjust the screws on the hinges according to the illustration.

Or you can search this link to view the teaching video.

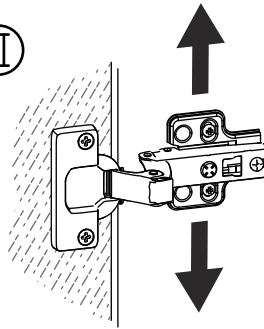
<https://youtu.be/n0Lb36SoODM>



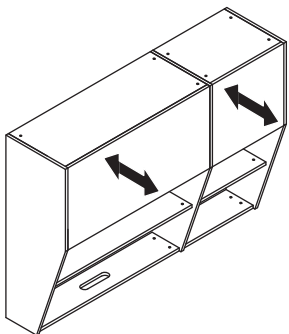
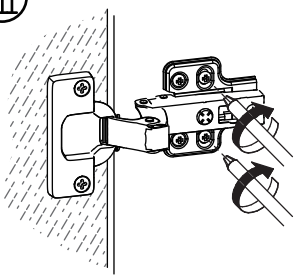
I



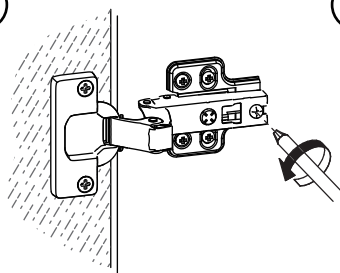
II



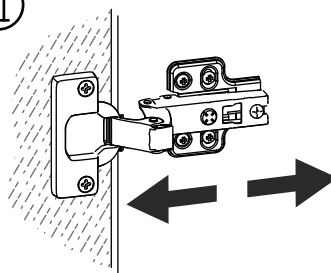
III



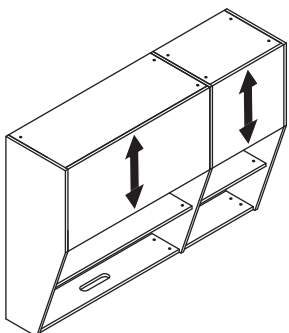
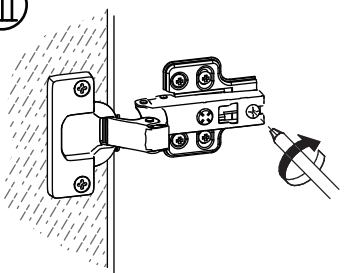
I



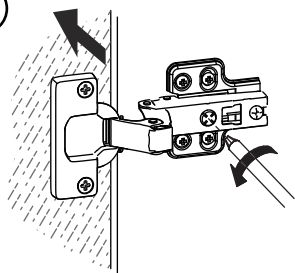
II



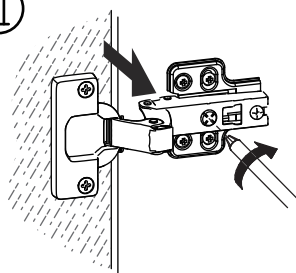
III



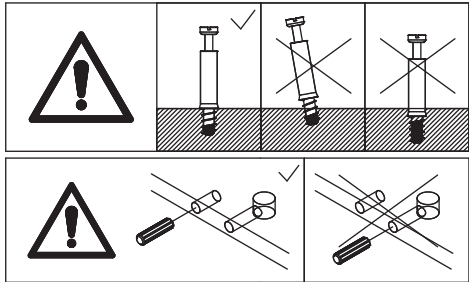
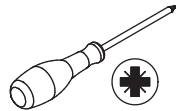
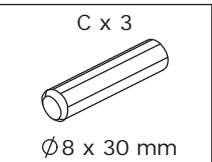
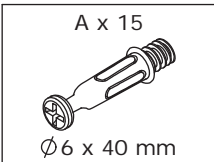
I



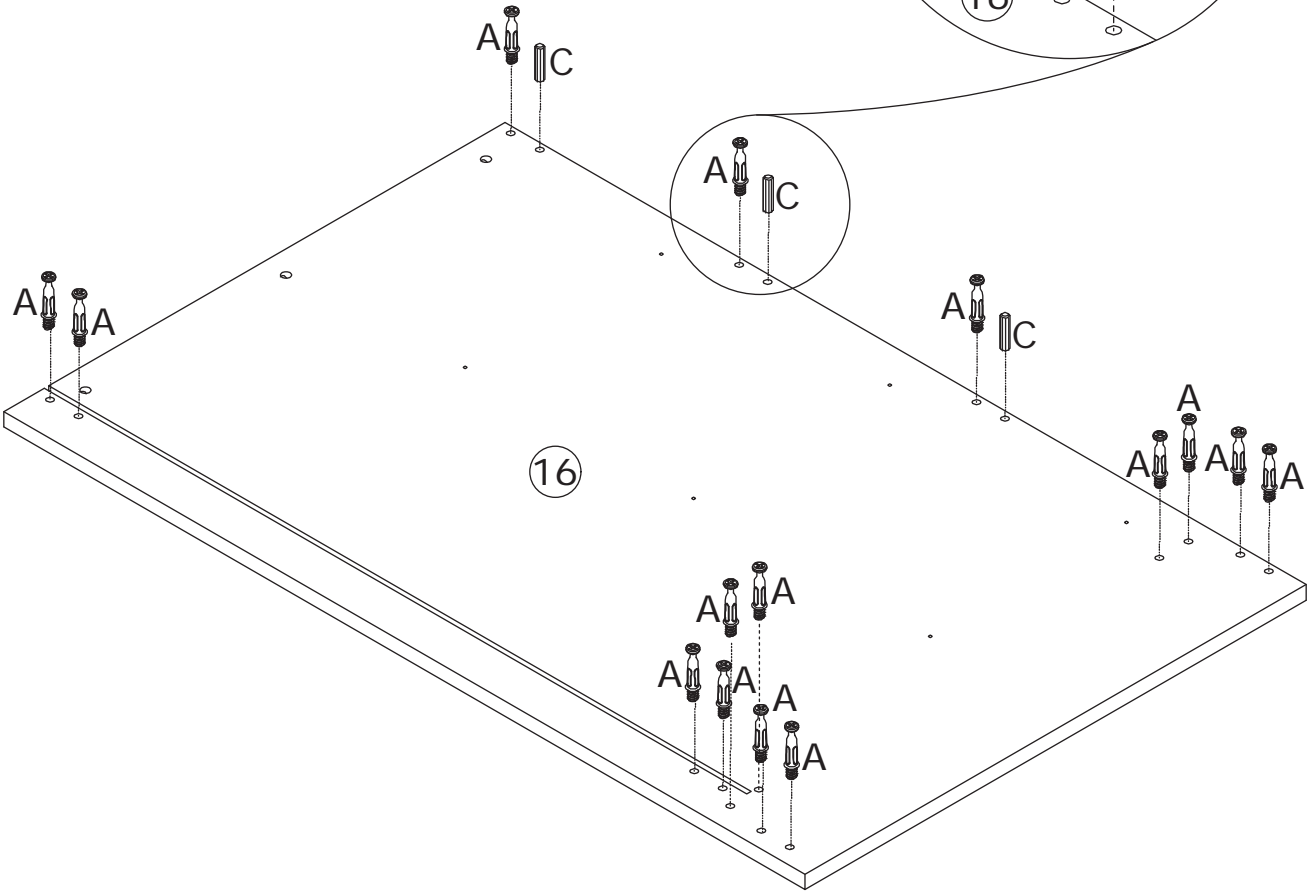
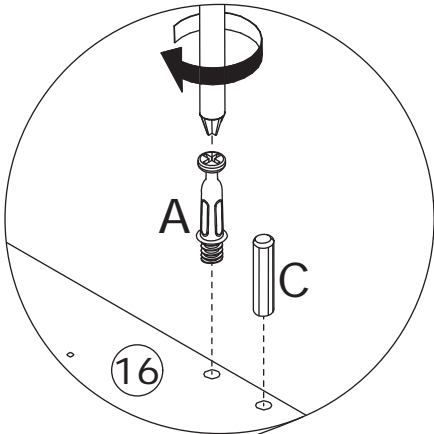
II



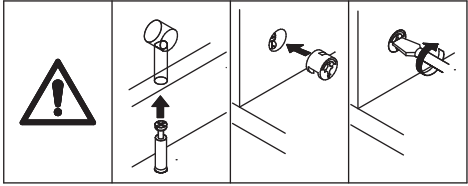
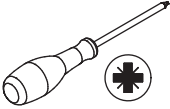
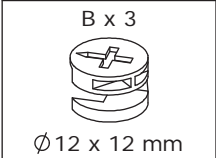
29



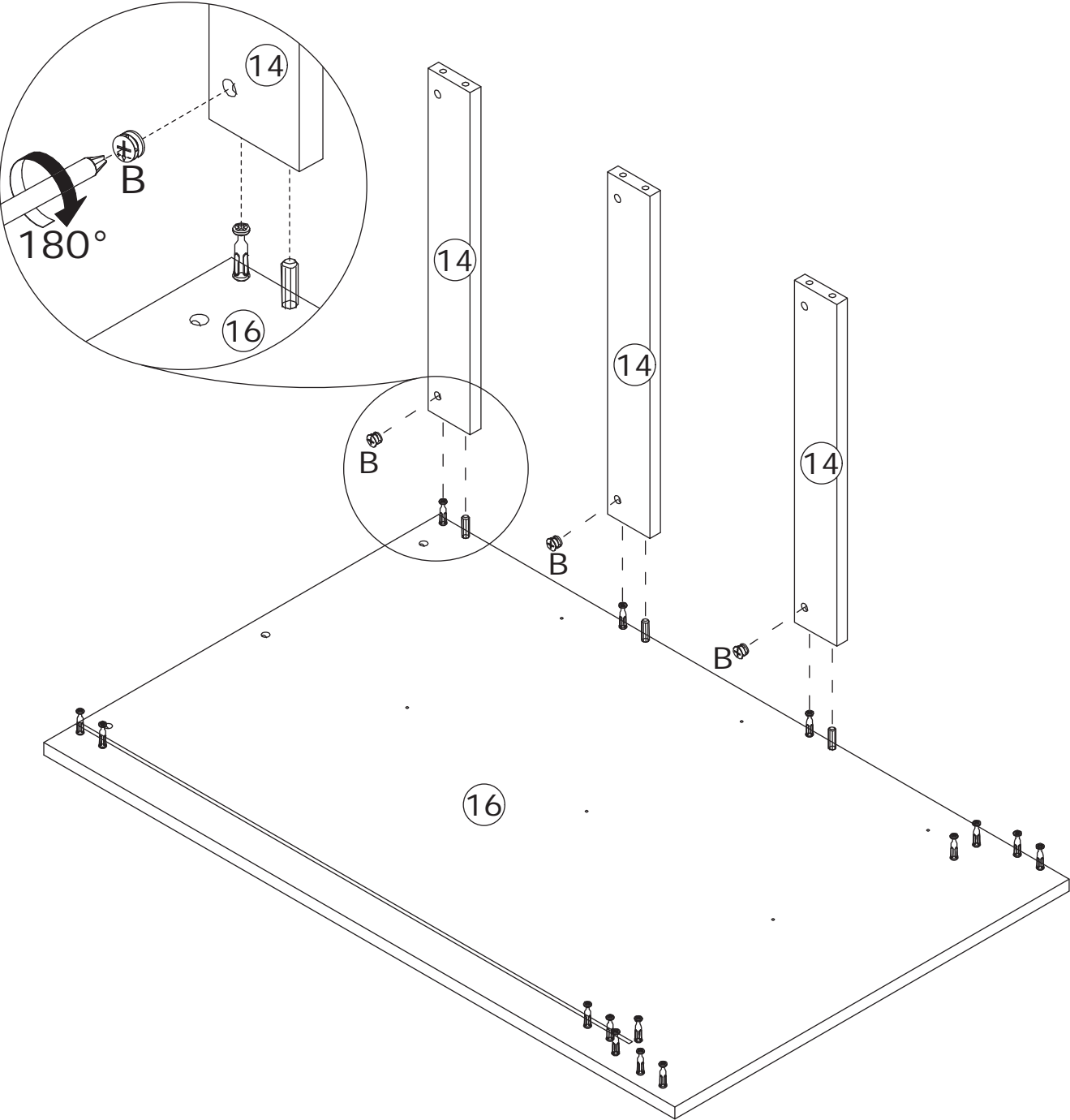
Screw self-tapping rod (A) and insert wooden dowel (C) into panel 16.



30

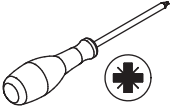


Connect panel 14 to panel 16, then tighten by turning cam lock (B) clockwise.

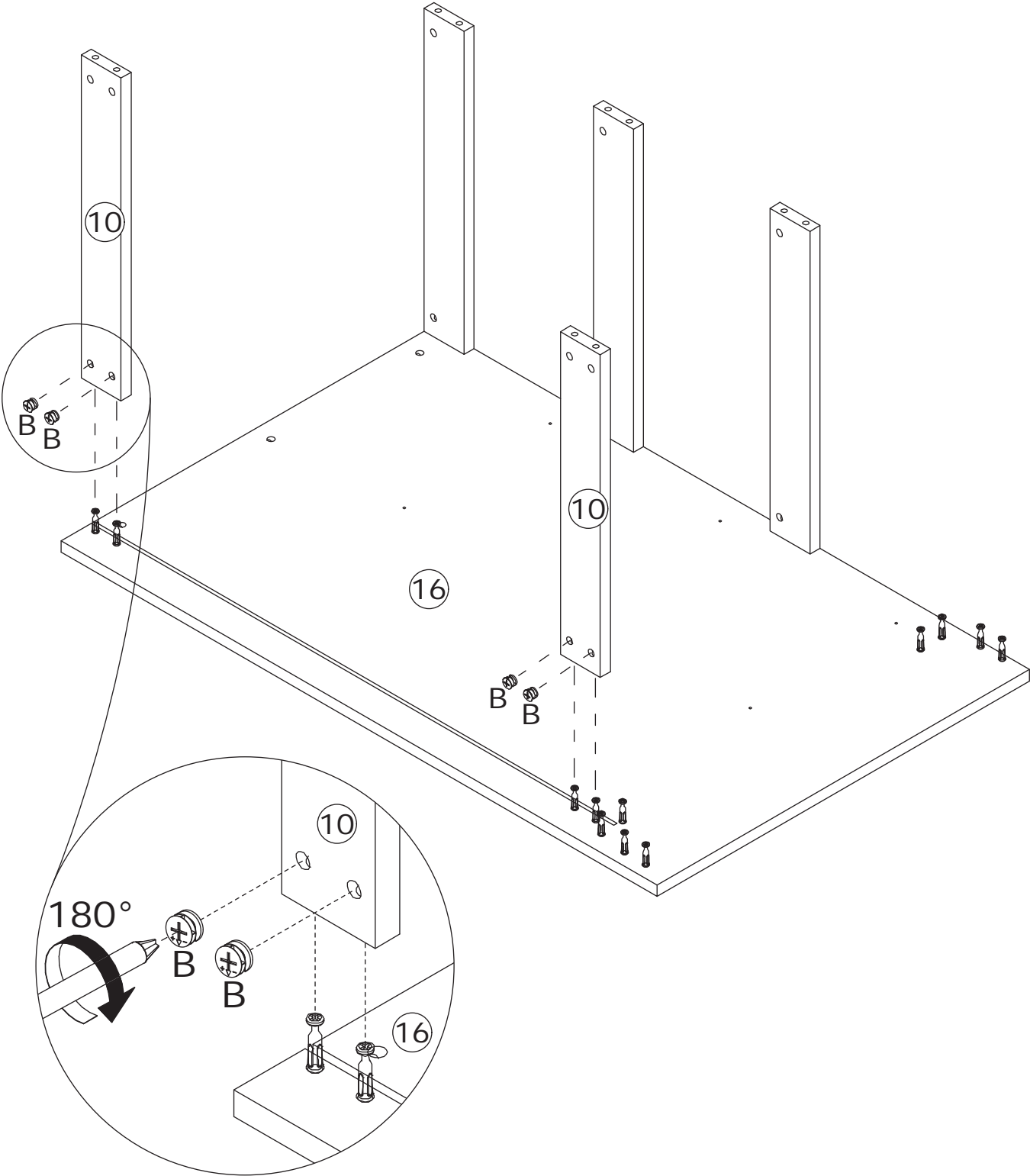
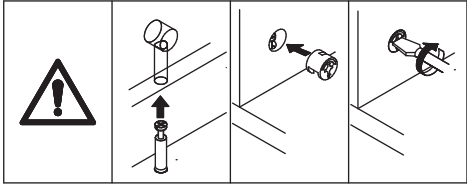


31

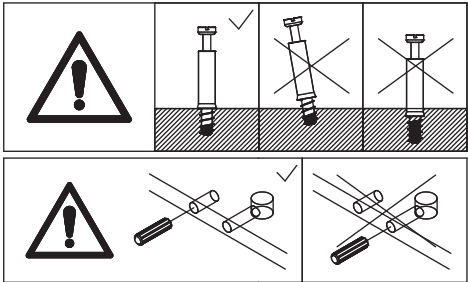
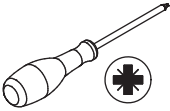
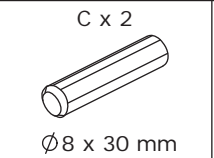
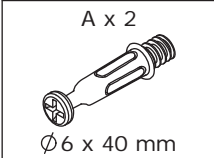
B x 4
Ø 12 x 12 mm



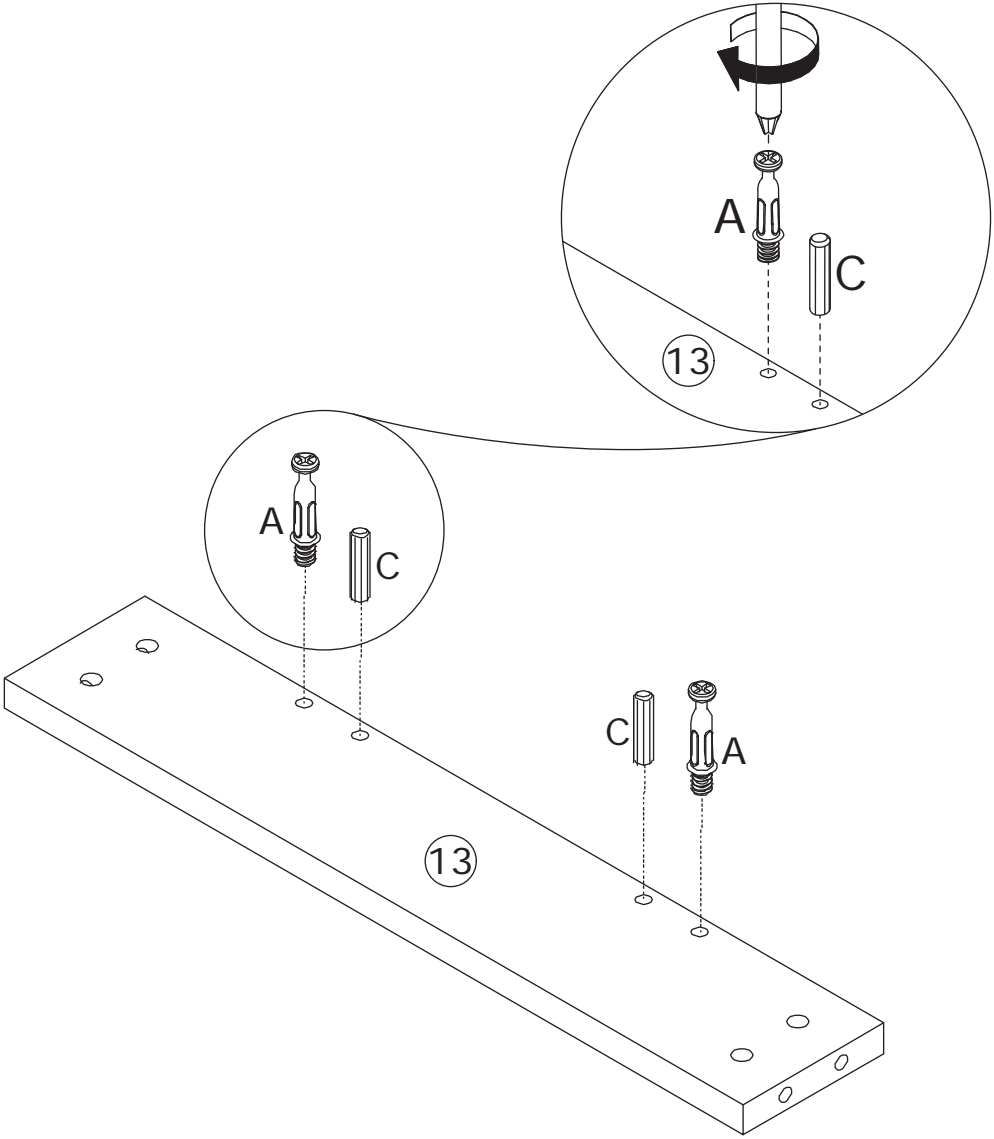
Connect panel 10 to panel 16, then tighten by turning cam lock (B) clockwise.



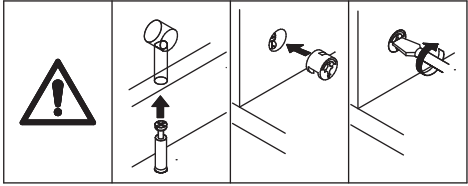
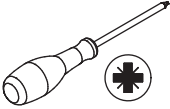
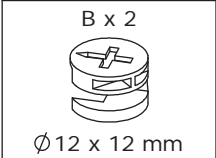
32



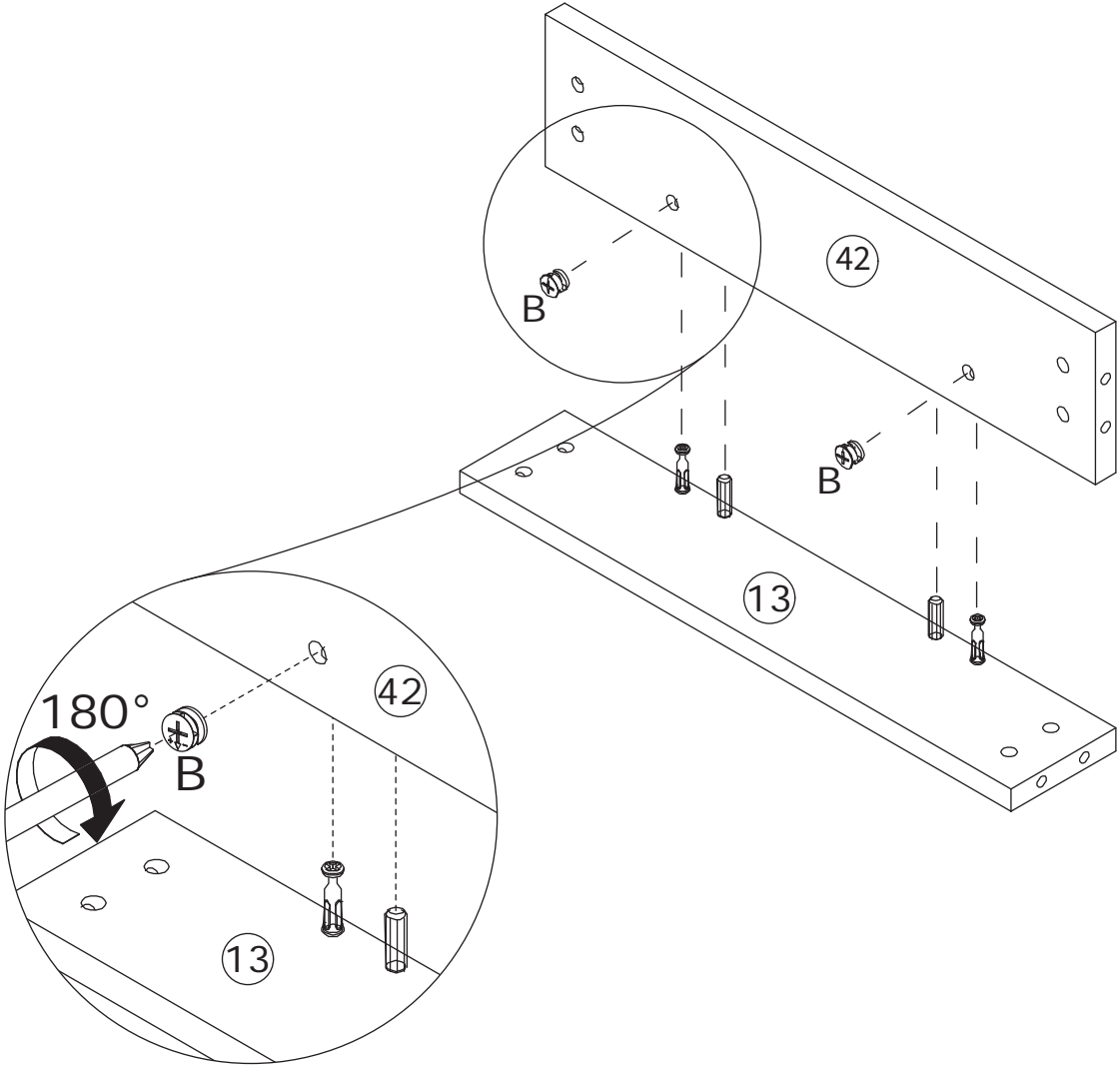
Screw self-tapping rod (A) and insert wooden dowel (C) into panel 13.



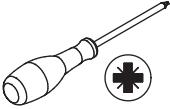
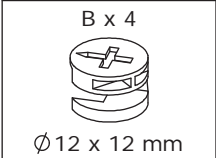
33



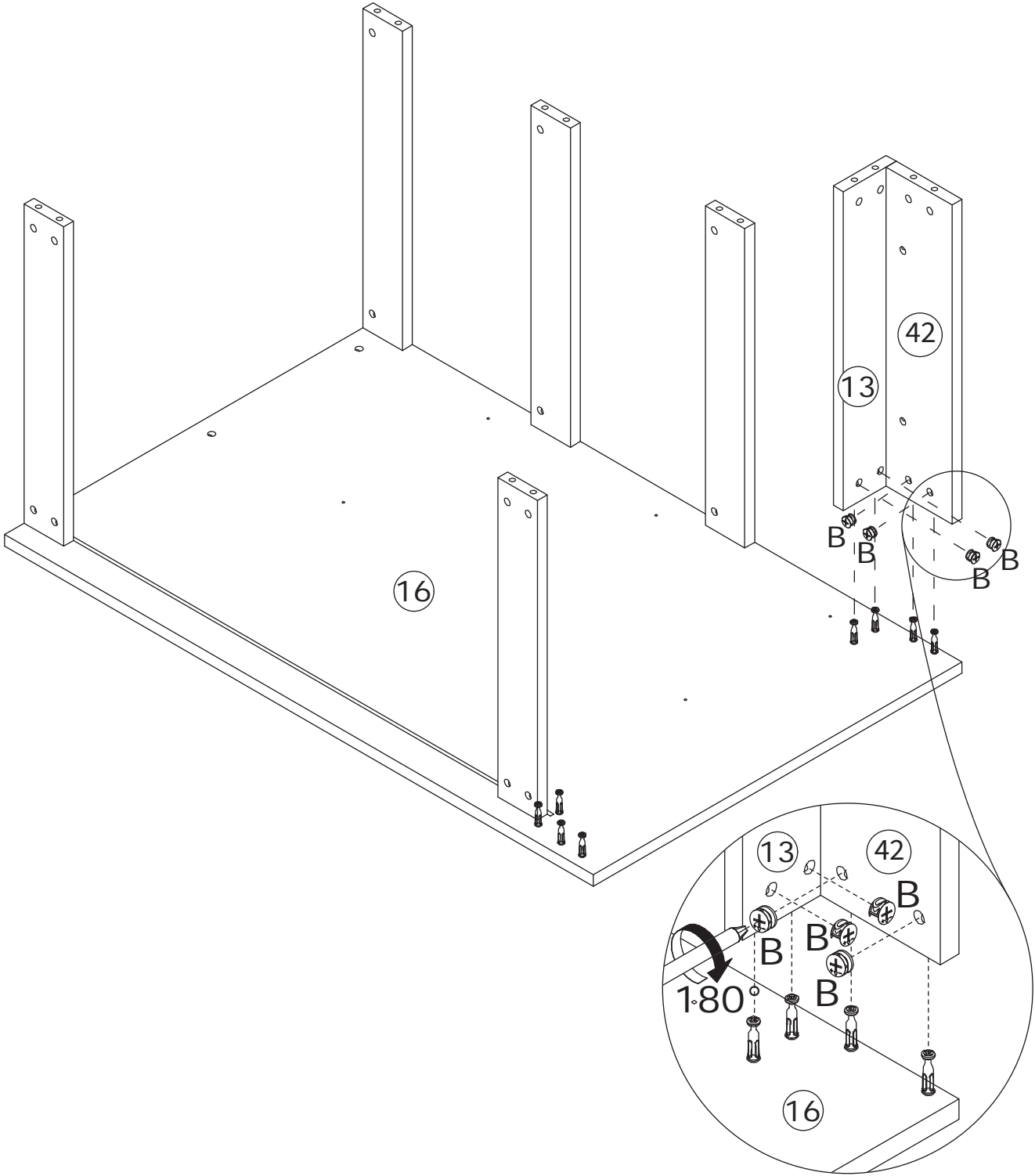
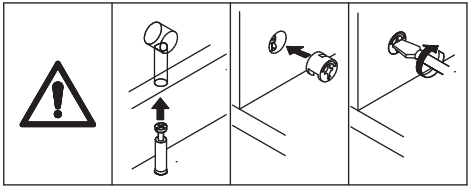
Connect panel 42 to panel 13, then tighten by turning cam lock (B) clockwise.



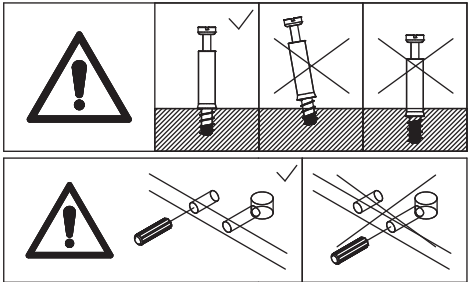
34



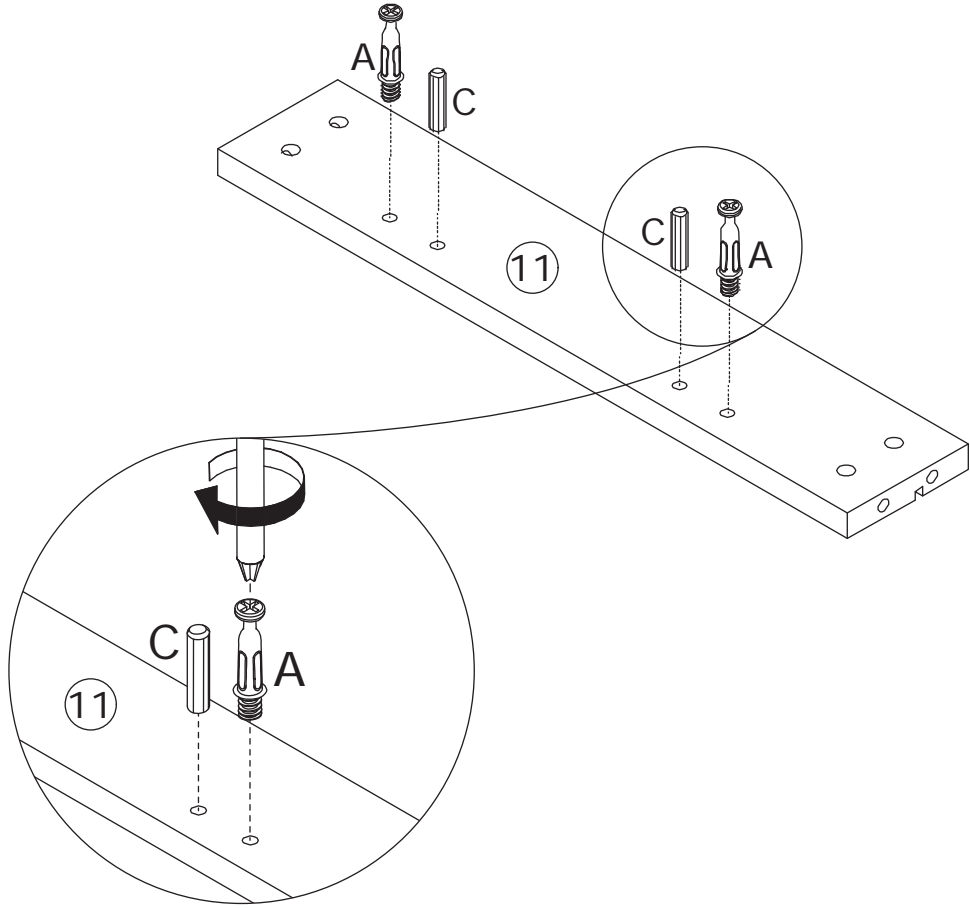
Connect panel 42 and 13 to panel 16, then tighten by turning cam lock (B) clockwise.



35

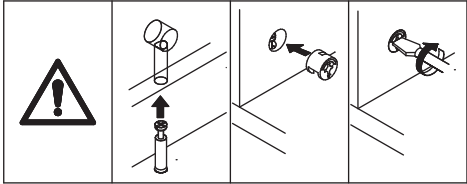
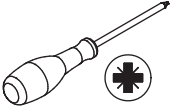


Screw self-tapping rod (A) and insert wooden dowel (C) into panel 11.

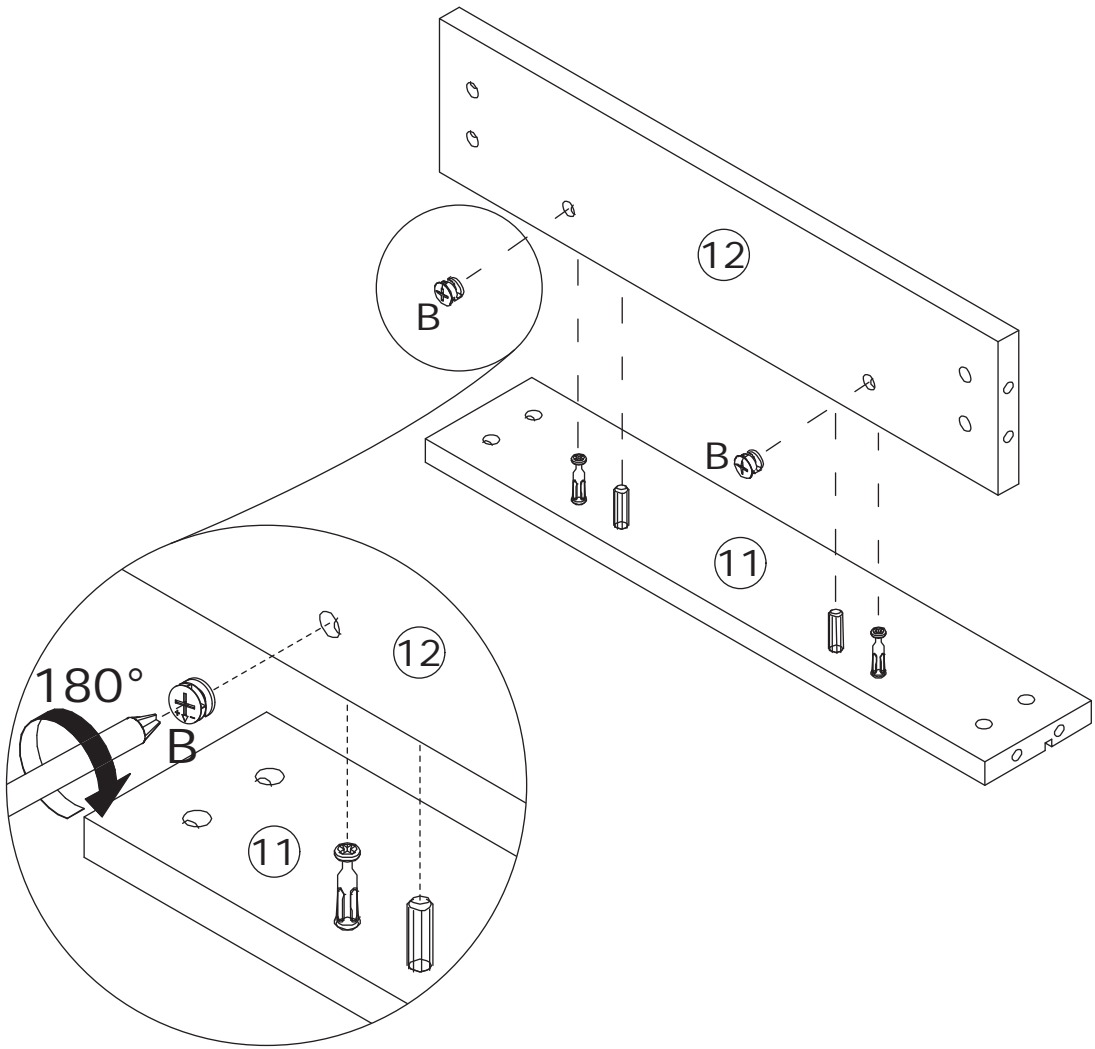


36

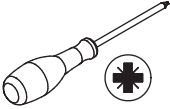
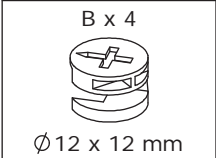
B x 2
Ø12 x 12 mm



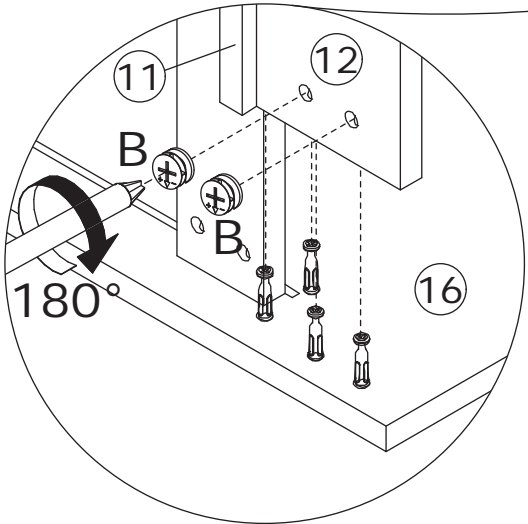
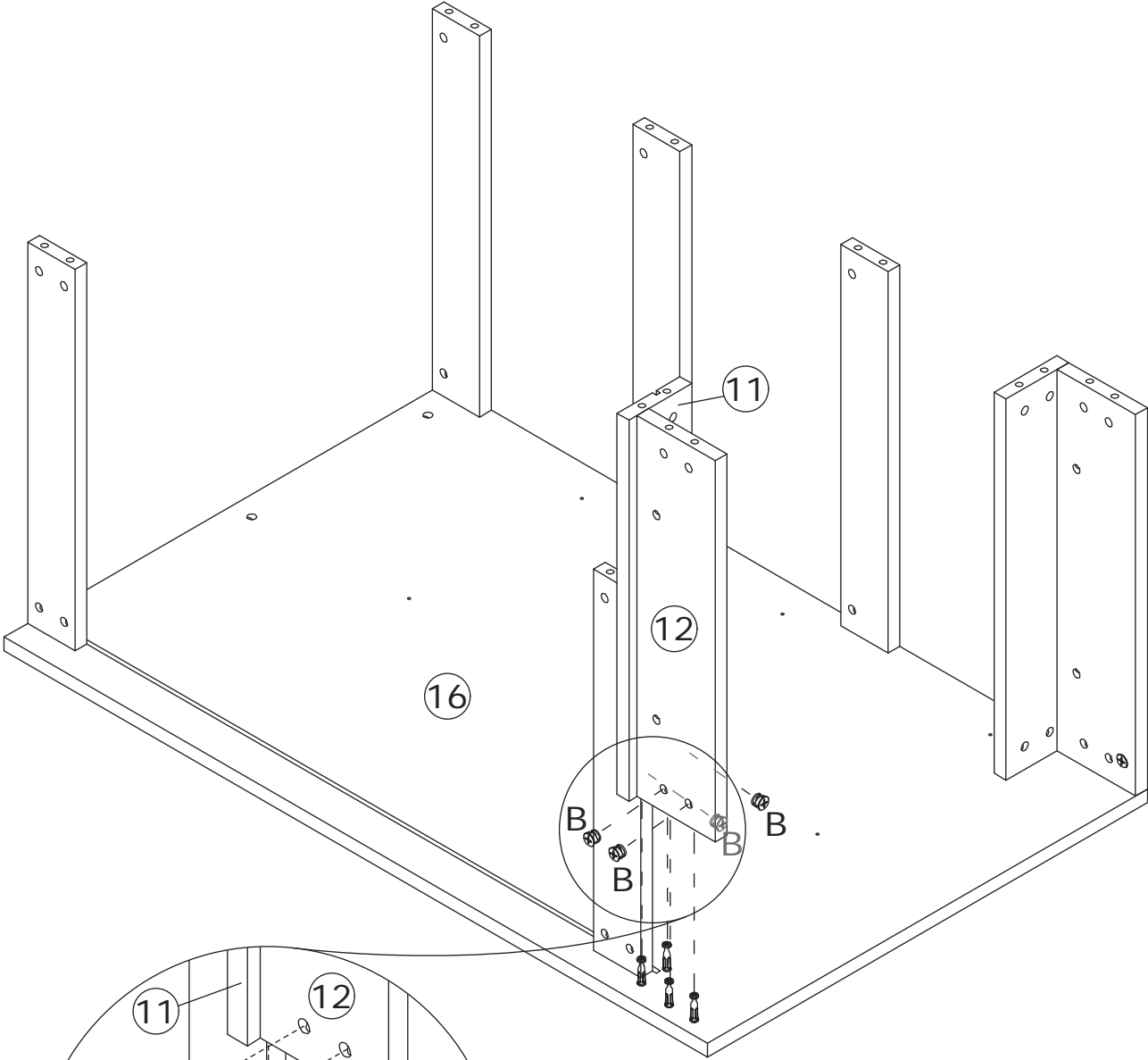
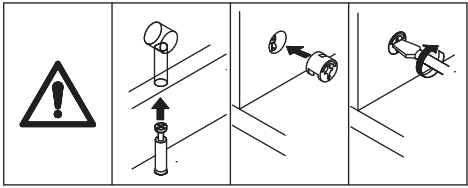
Connect panel 12 to panel 11, then tighten by turning cam lock (B) clockwise.



37

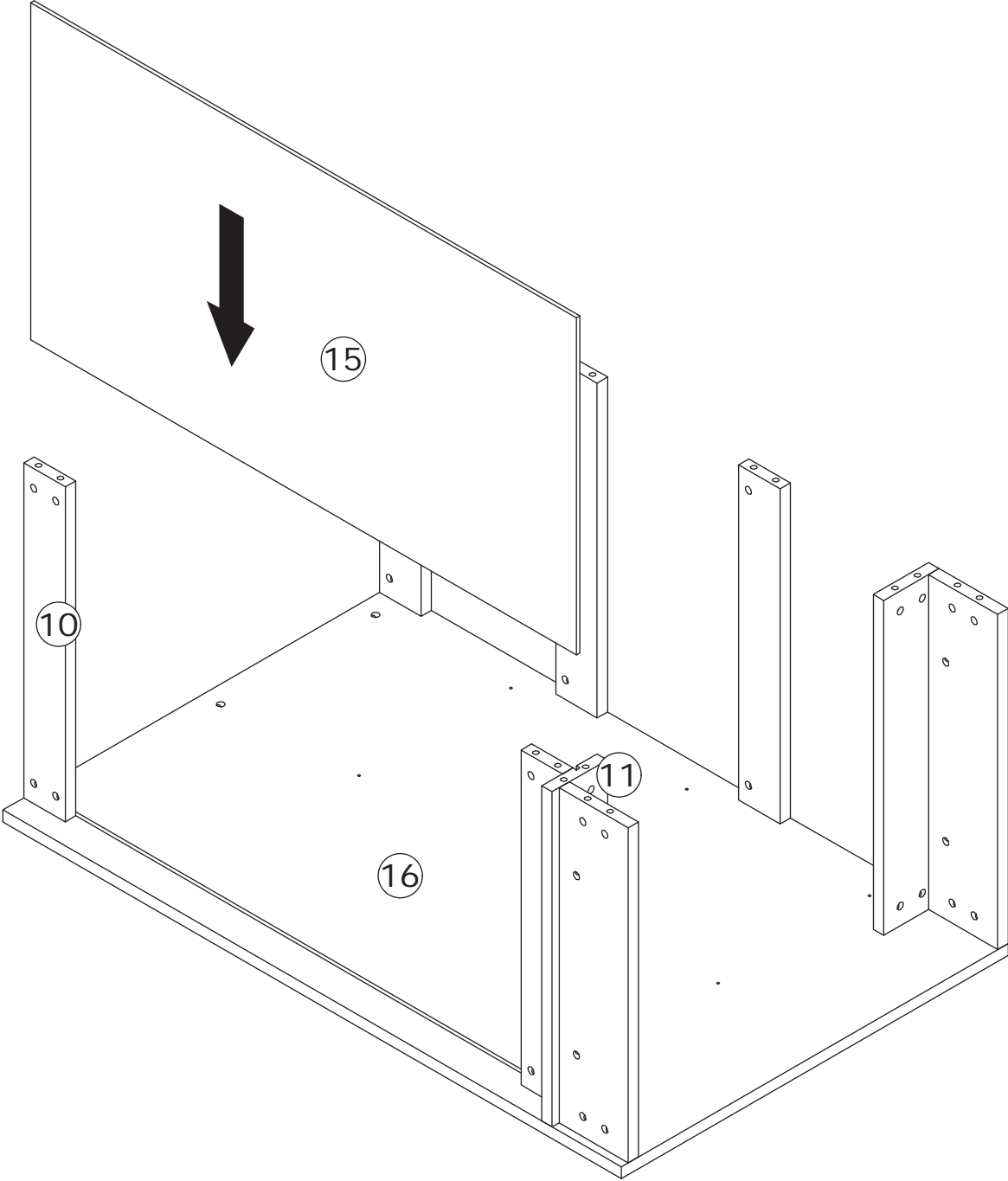


Connect panel 11 and panel 12 to panel 16, insert the cam lock (B), and tighten by rotating clockwise.

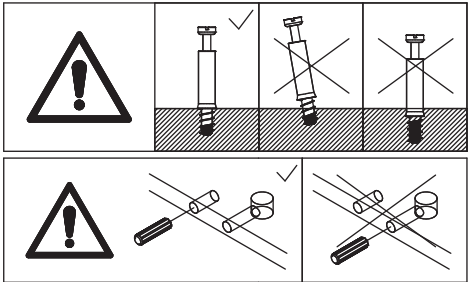
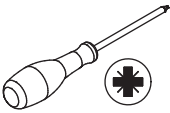
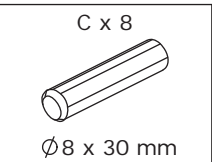
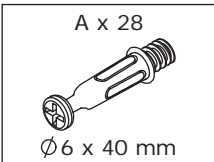


38

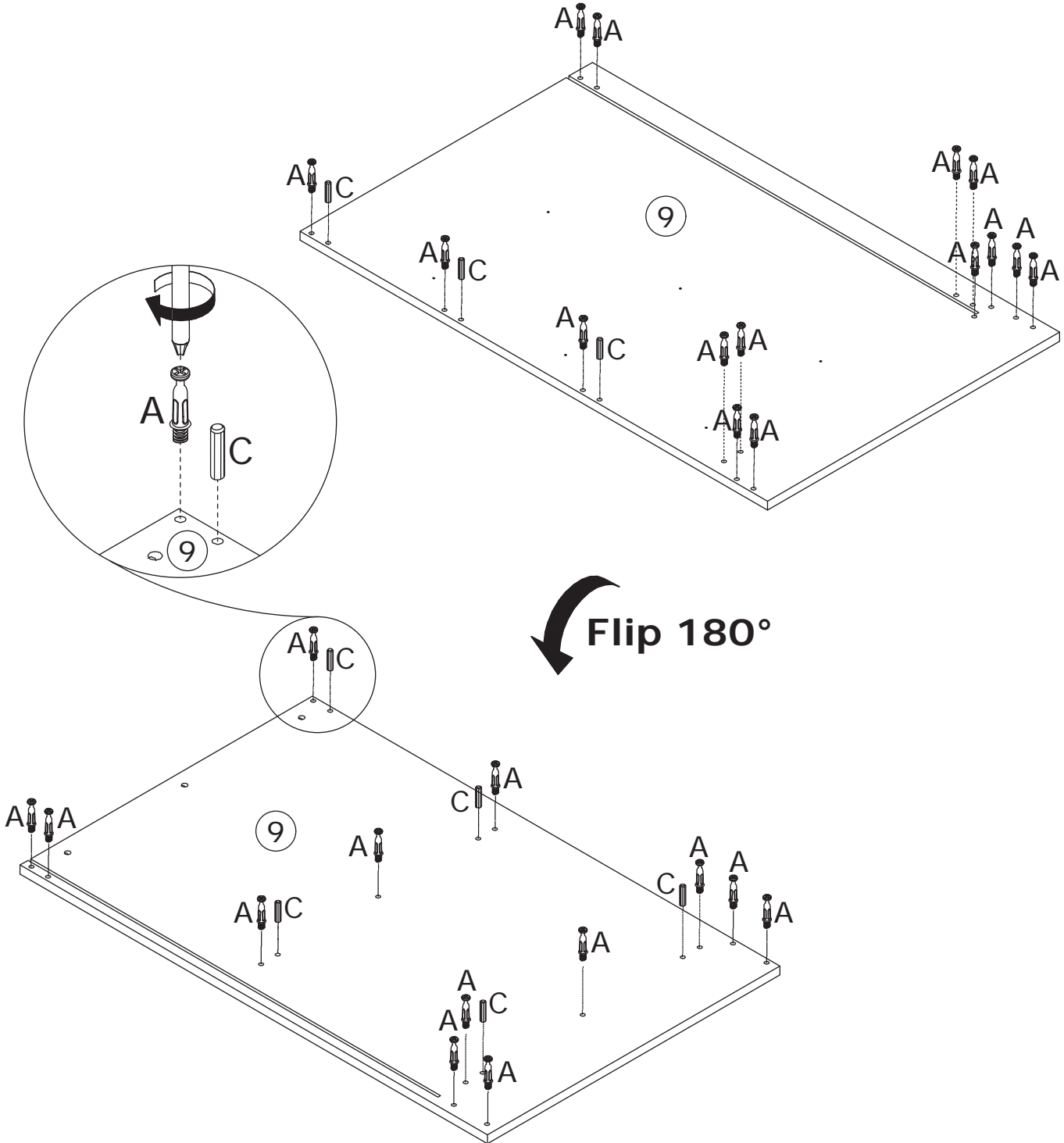
Insert panel 15 along the available slot.



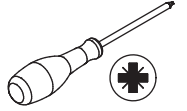
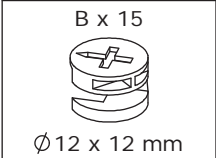
39



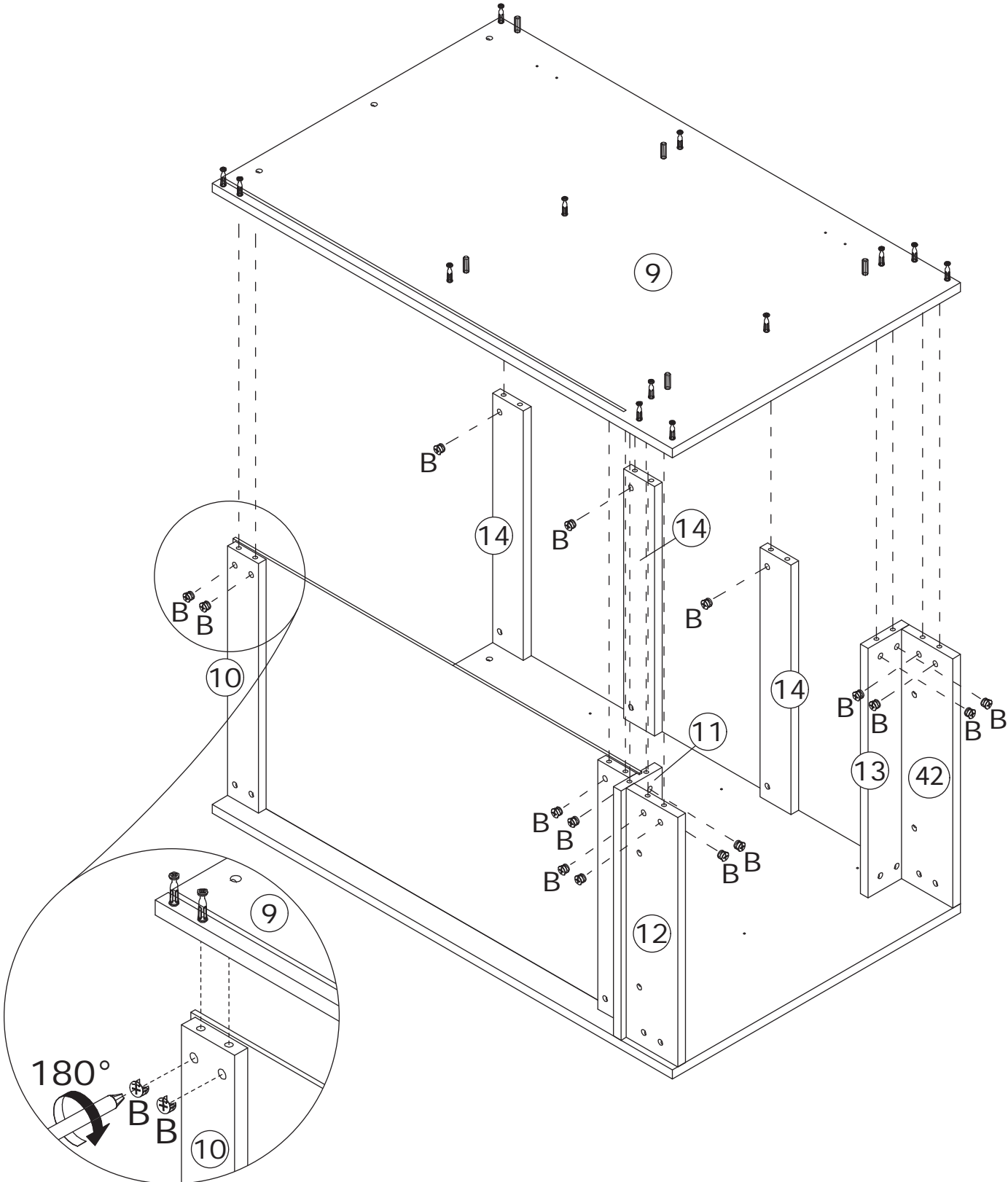
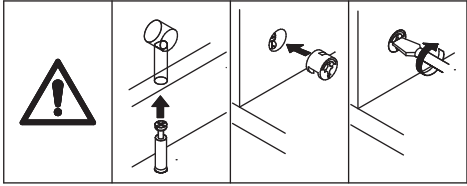
Screw self-tapping rod (A) and insert wooden dowel (C) into both sides of panel 9.



40

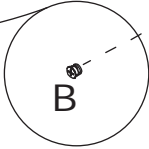
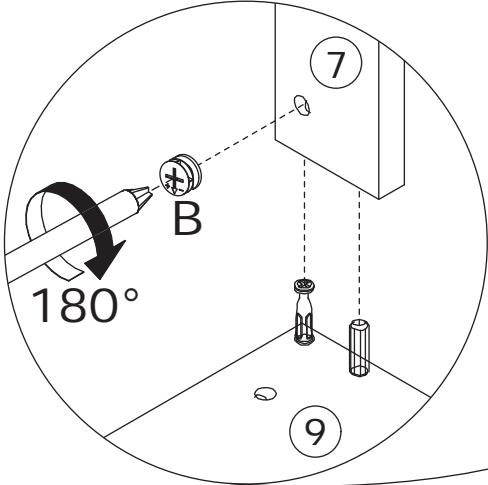
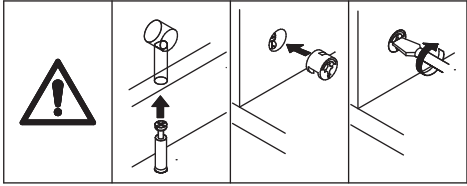
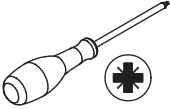


Connect panel 9 to panel 12, panel 13, panel 10 and panel 14, insert the cam lock (B), and tighten by rotating clockwise.

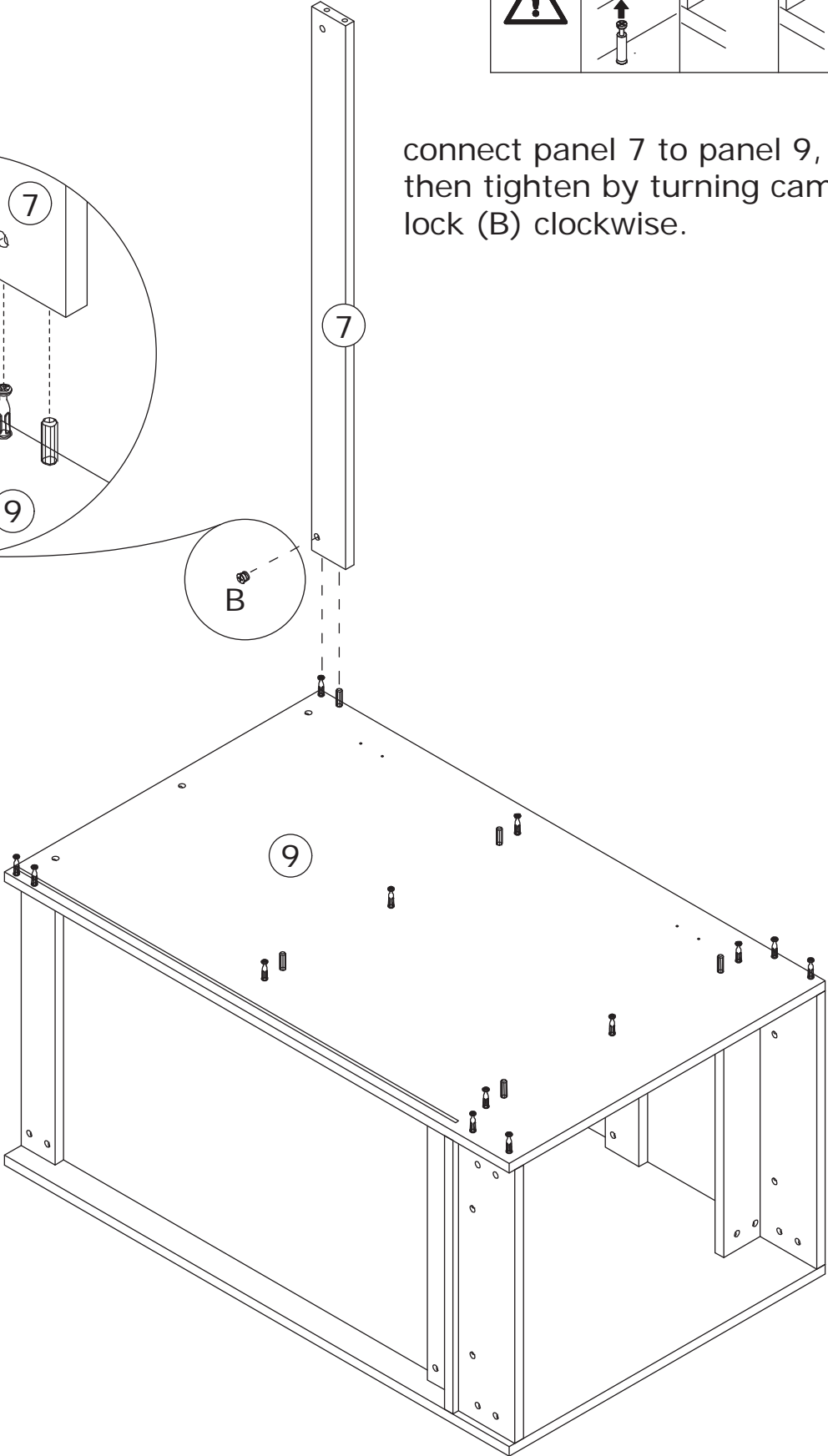


41

B x 1
Ø12 x 12 mm

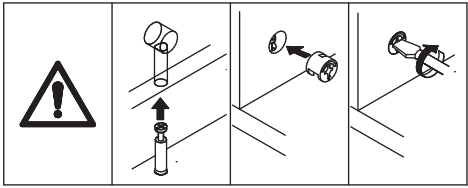
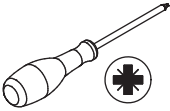


connect panel 7 to panel 9,
then tighten by turning cam
lock (B) clockwise.

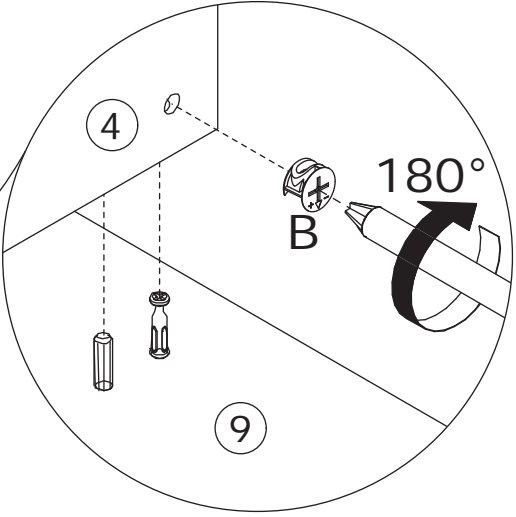
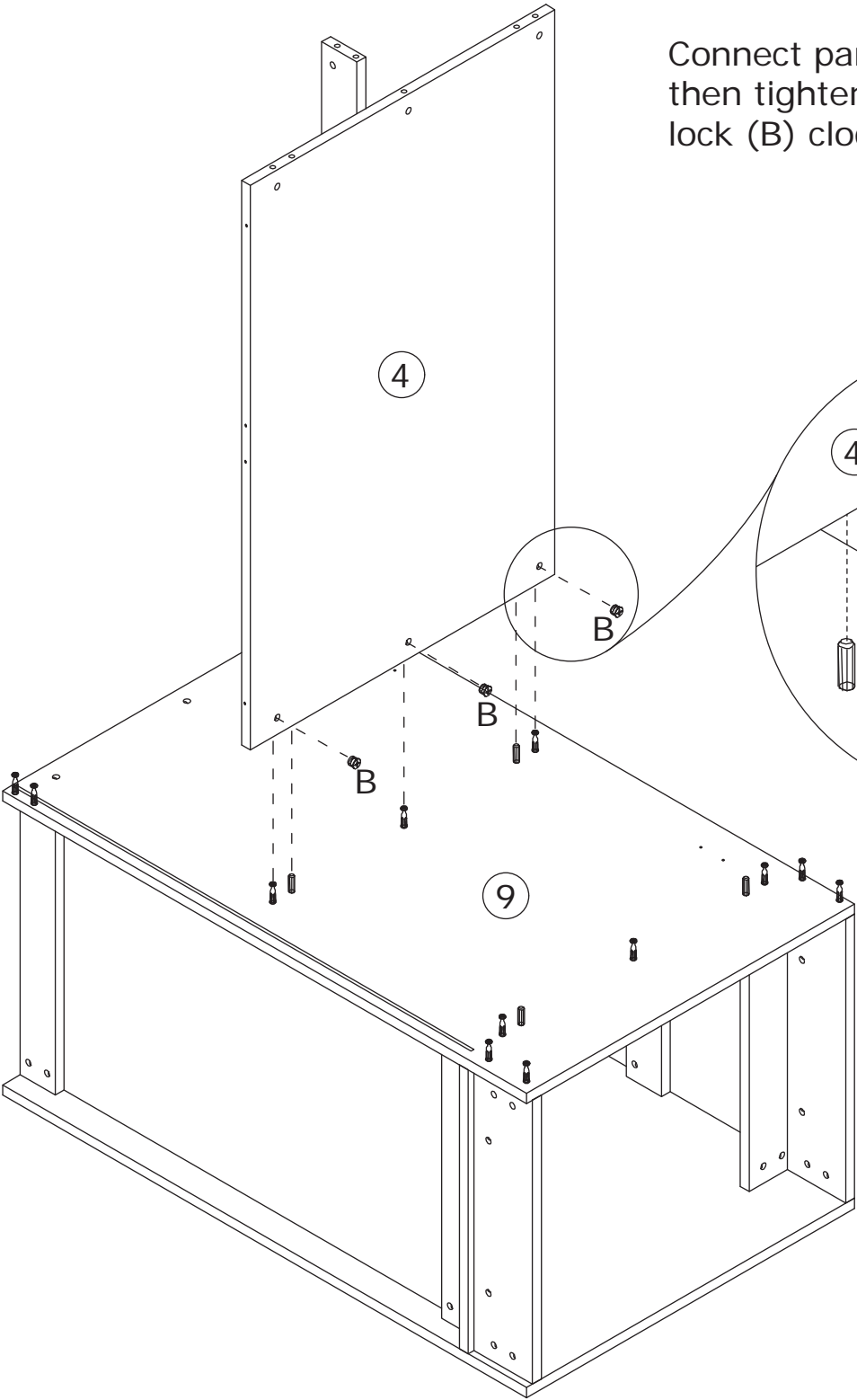


42

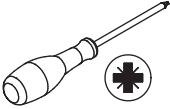
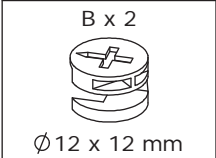
B x 3
Ø 12 x 12 mm



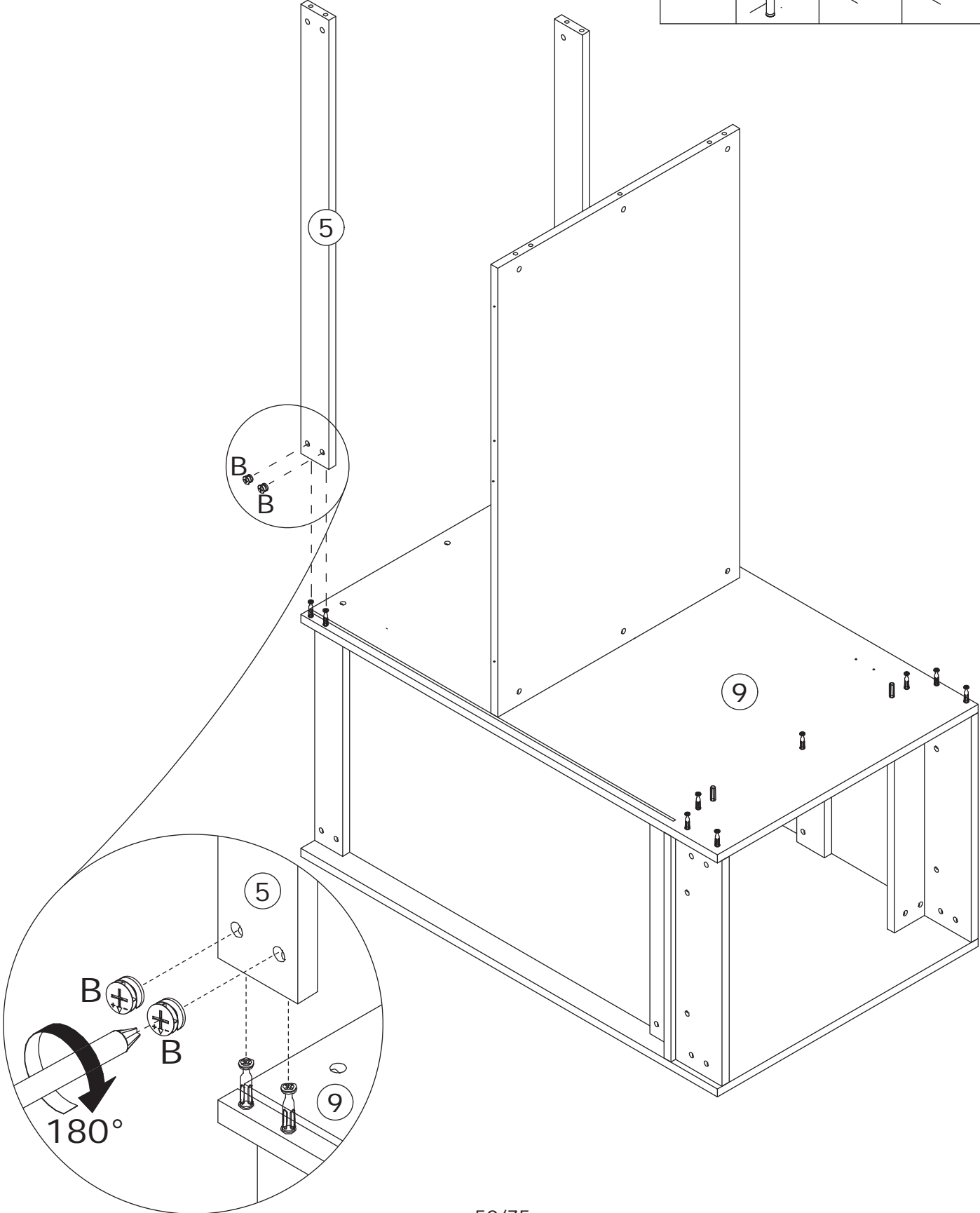
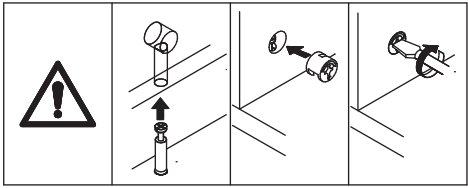
Connect panel 4 to panel 9,
then tighten by turning cam
lock (B) clockwise.



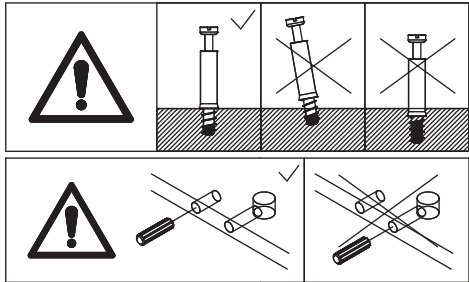
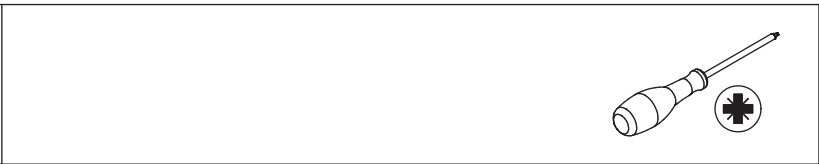
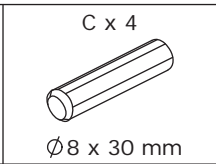
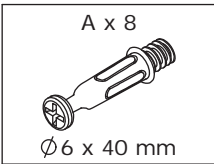
43



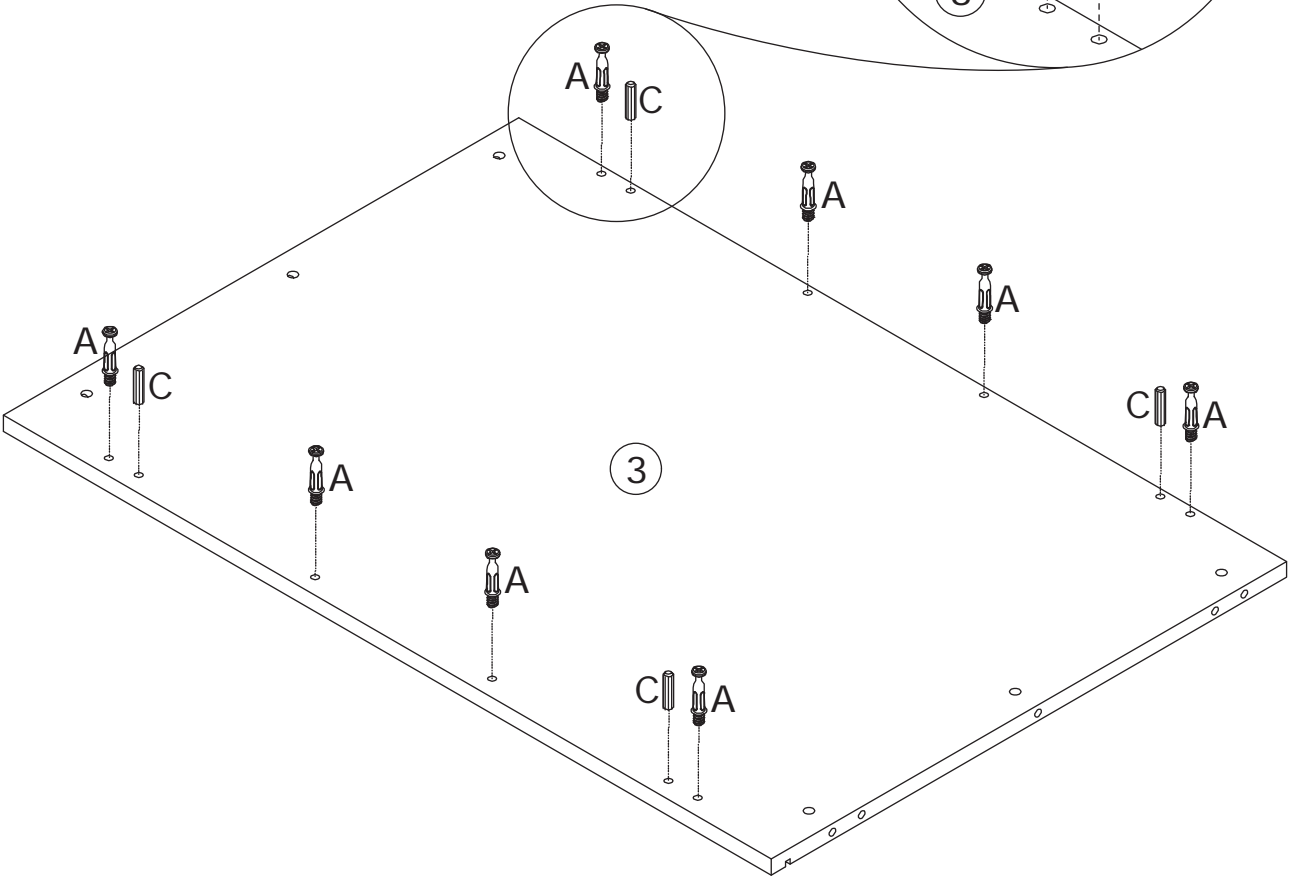
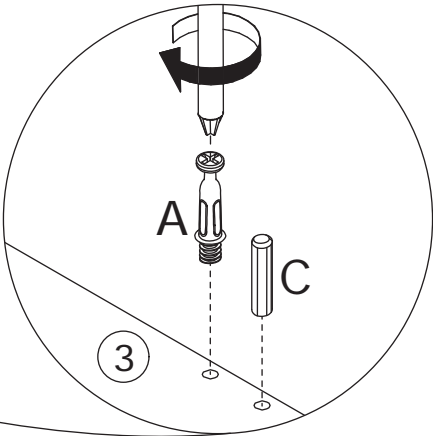
Connect panel 5 to panel 9, then tighten by turning cam lock (B) clockwise.



44



Screw self-tapping rod (A) and insert wooden dowel (C) into panel 3.

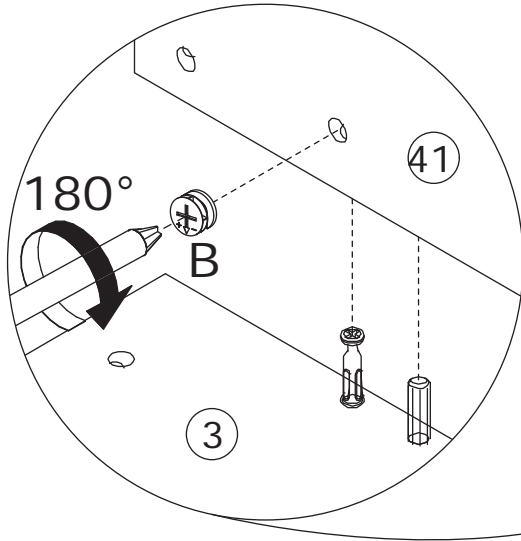
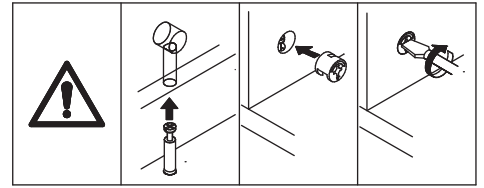
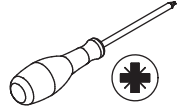


45

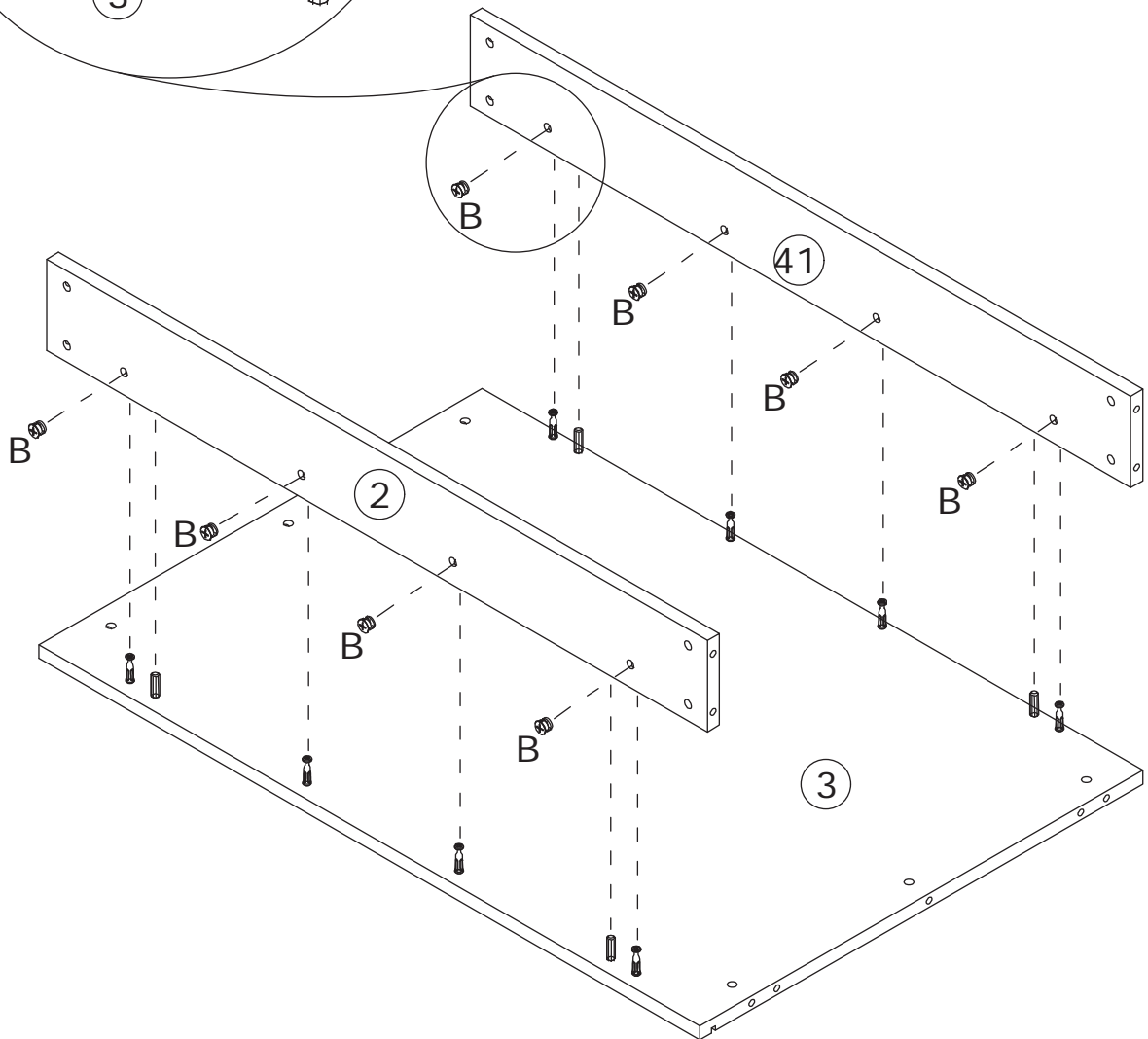
B x 8



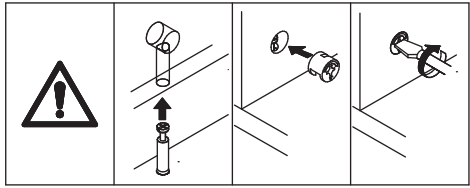
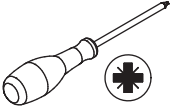
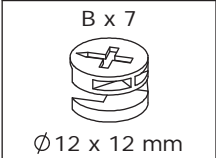
Ø12 x 12 mm



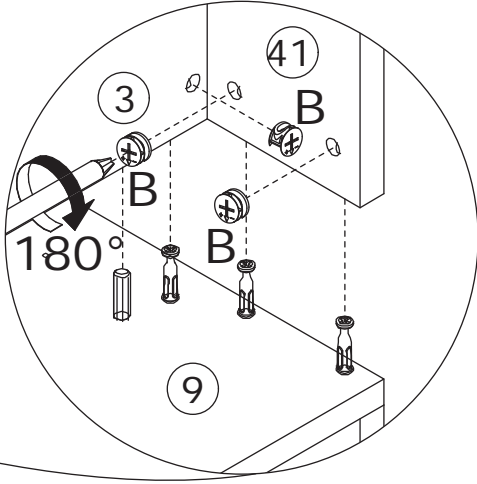
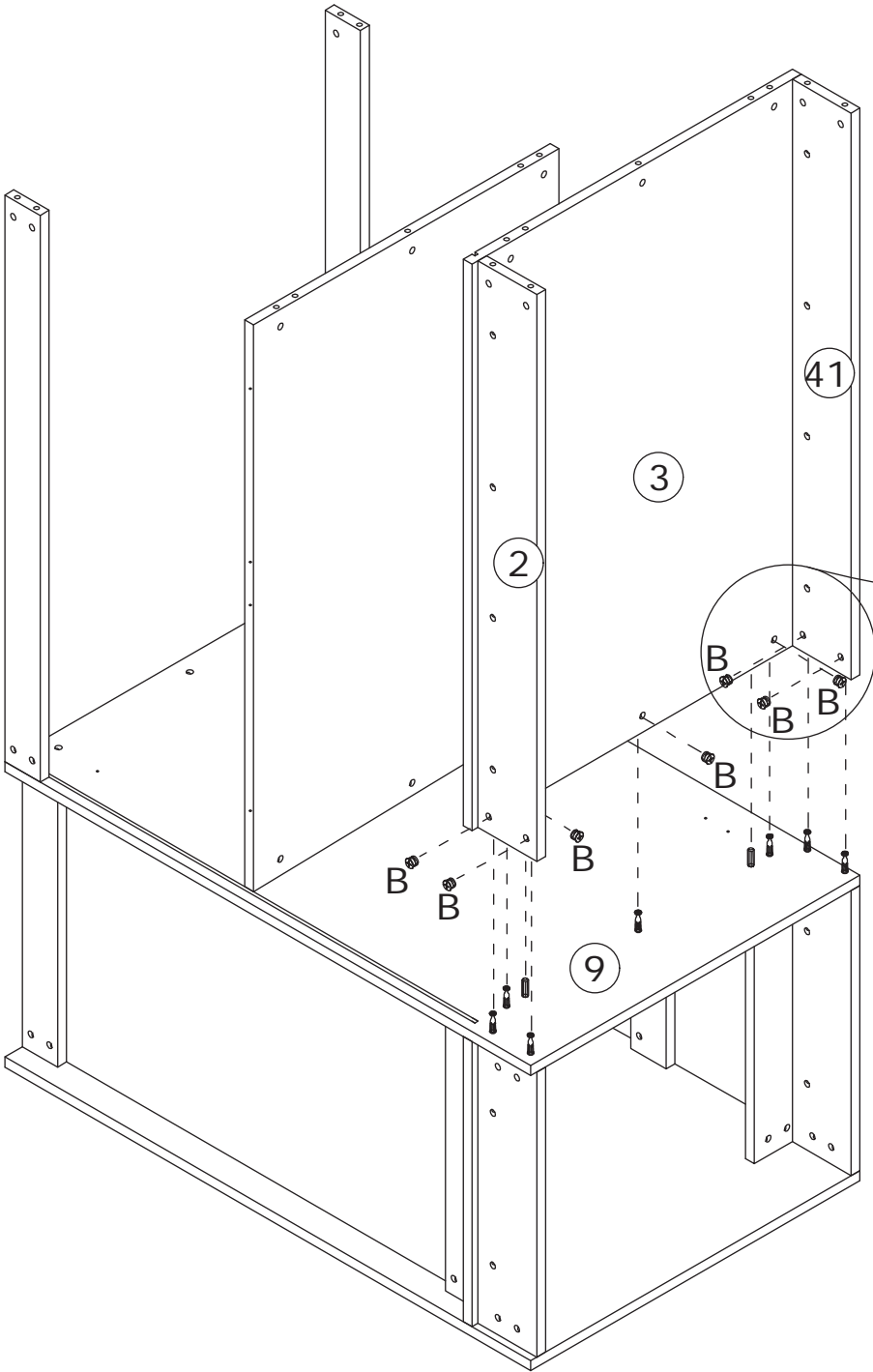
Connect panel 2 and panel 41 to panel 3, insert the cam lock (B), and tighten by rotating clockwise.



46



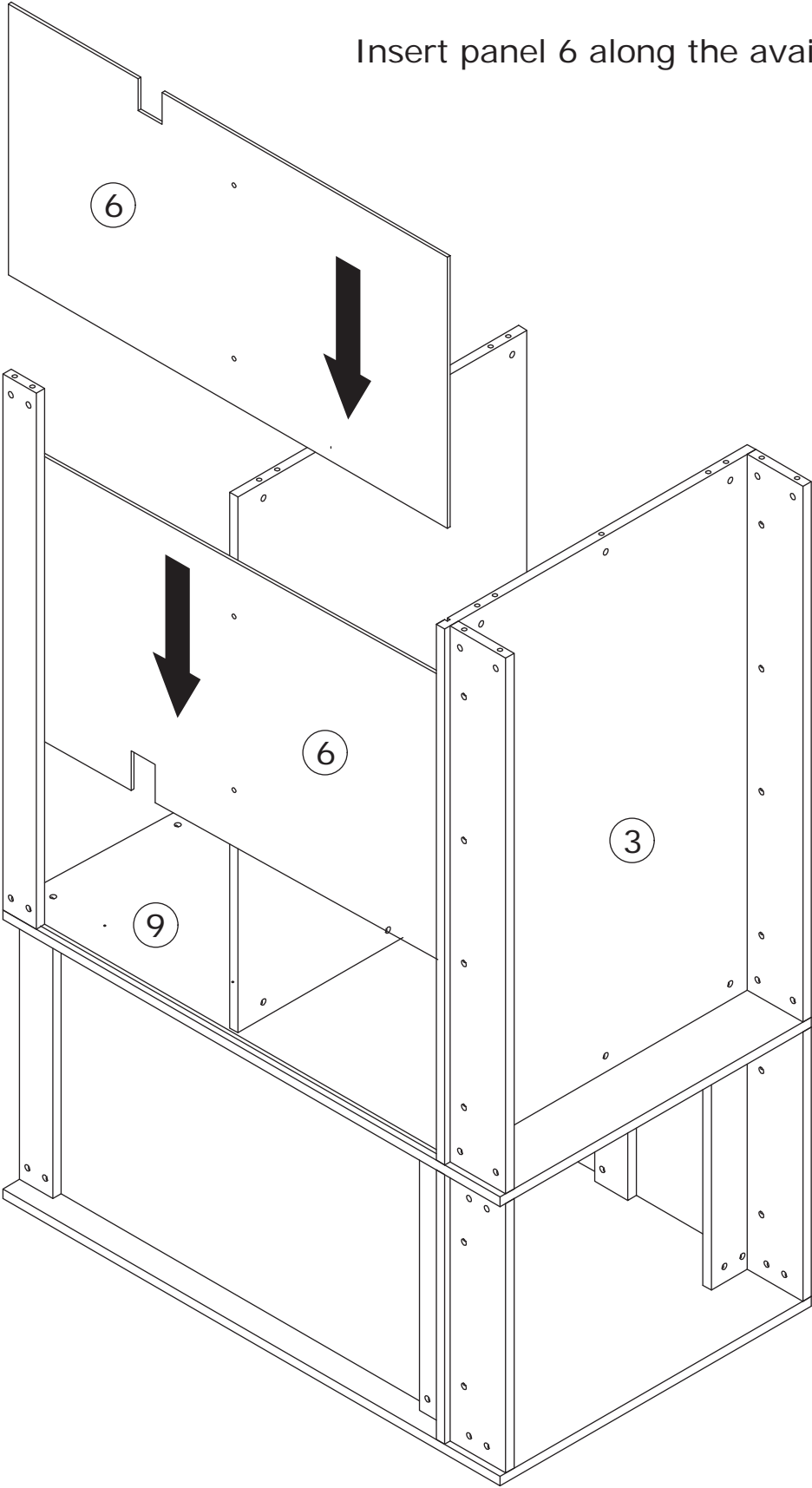
Connect panel 2, 41 and 3 to panel 9, then tighten by turning cam lock (B) clockwise



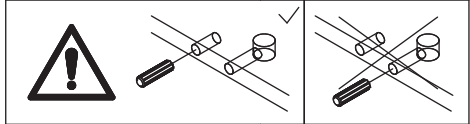
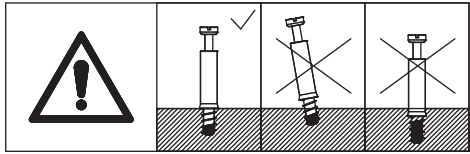
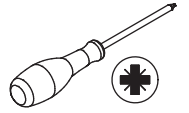
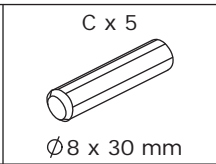
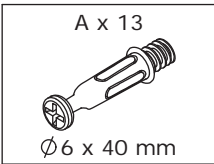
47



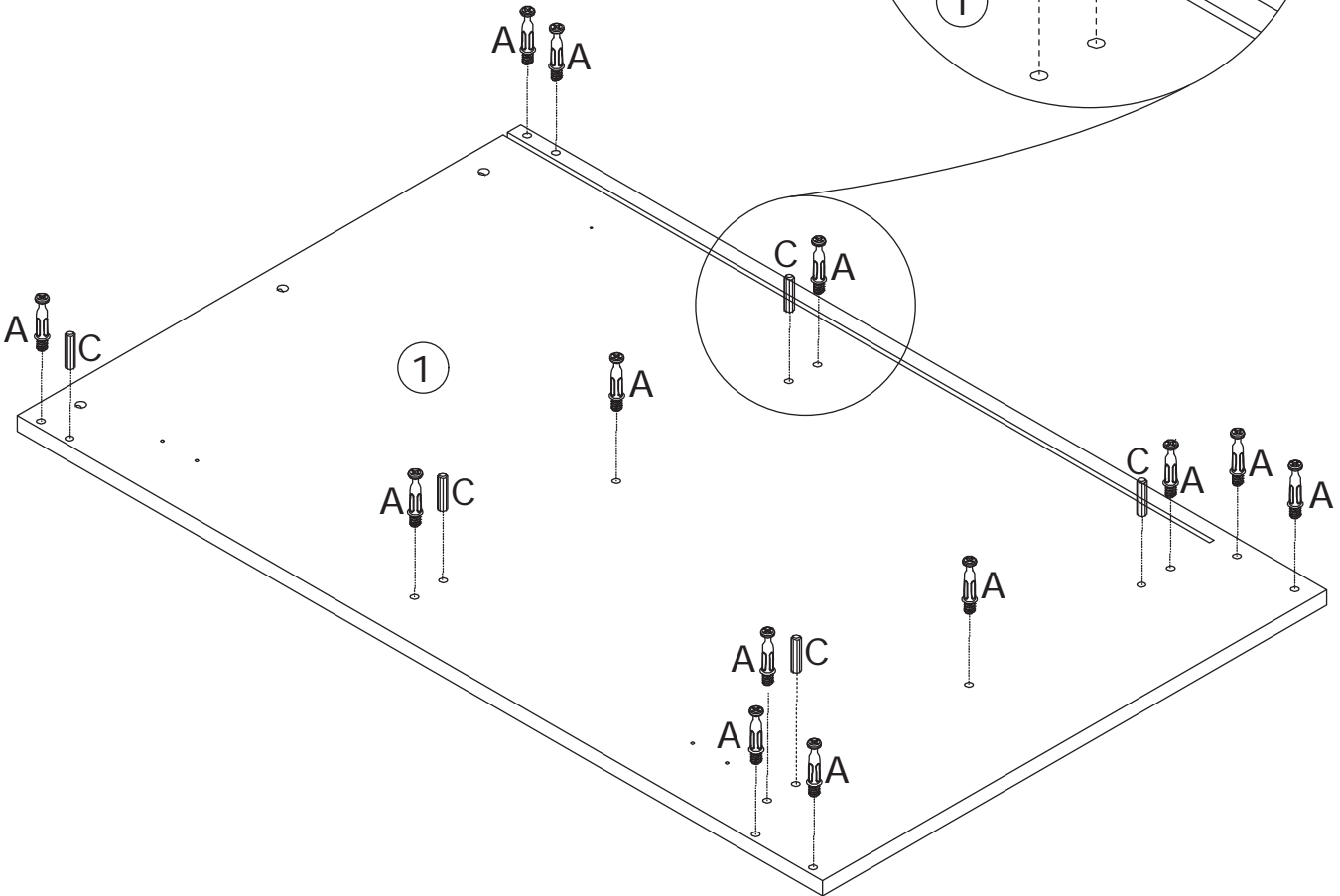
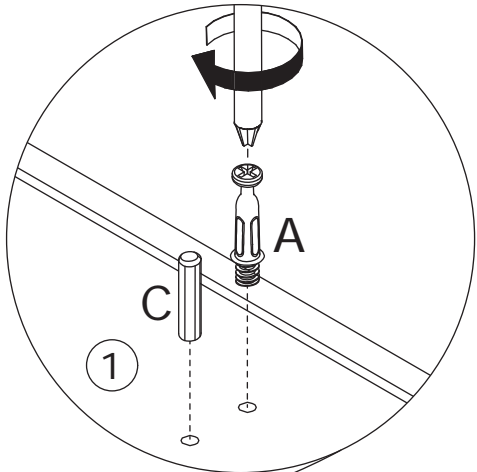
Insert panel 6 along the available slot.



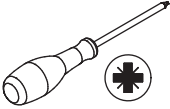
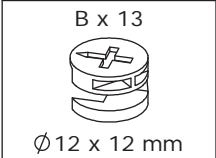
48



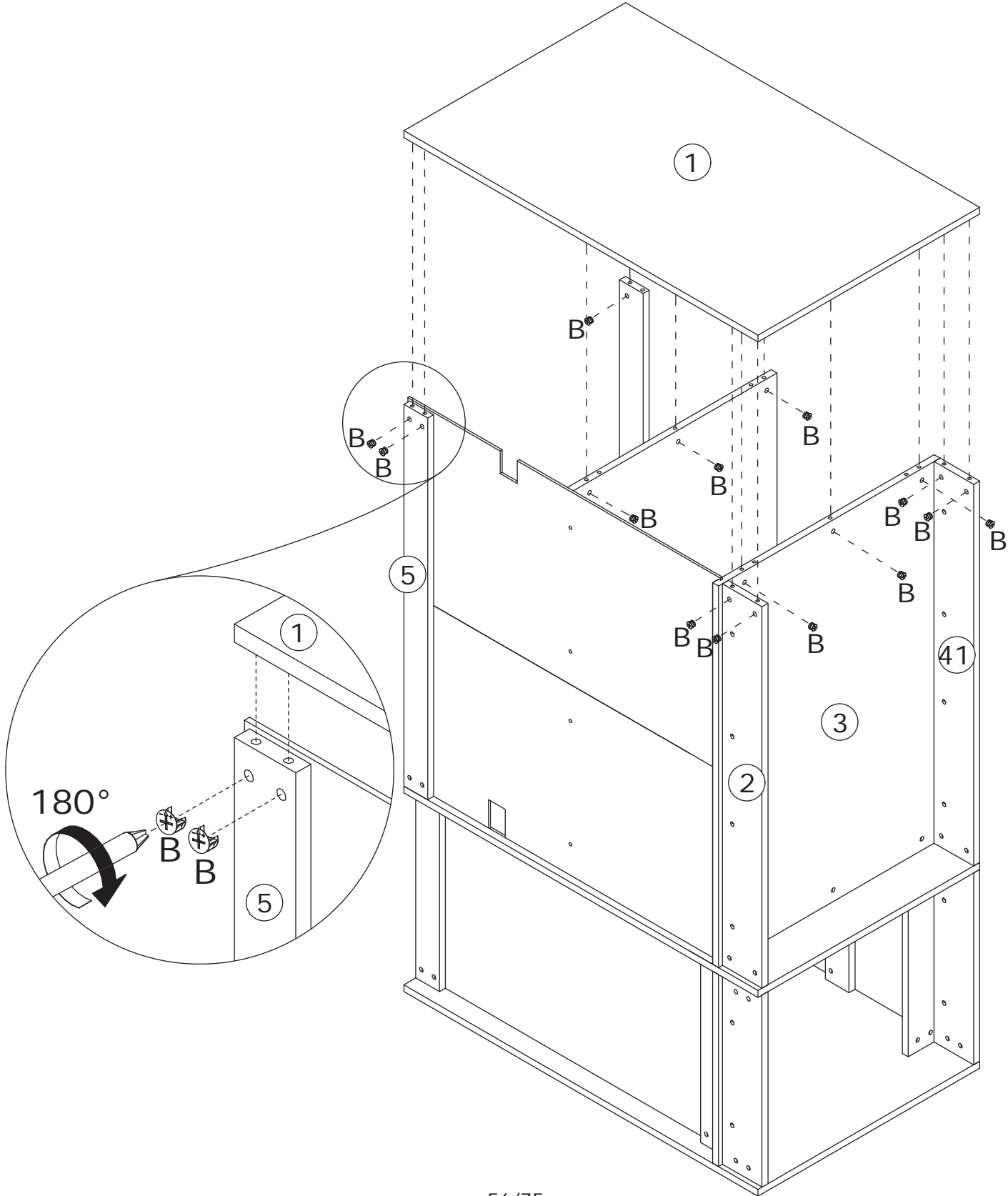
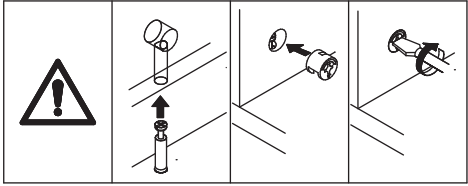
Screw self-tapping rod (A) and insert wooden dowel (C) into panel 1.



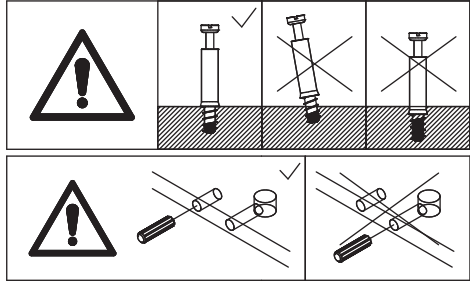
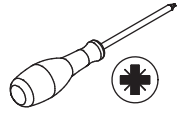
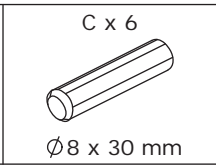
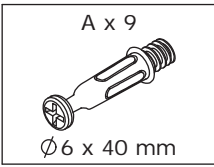
49



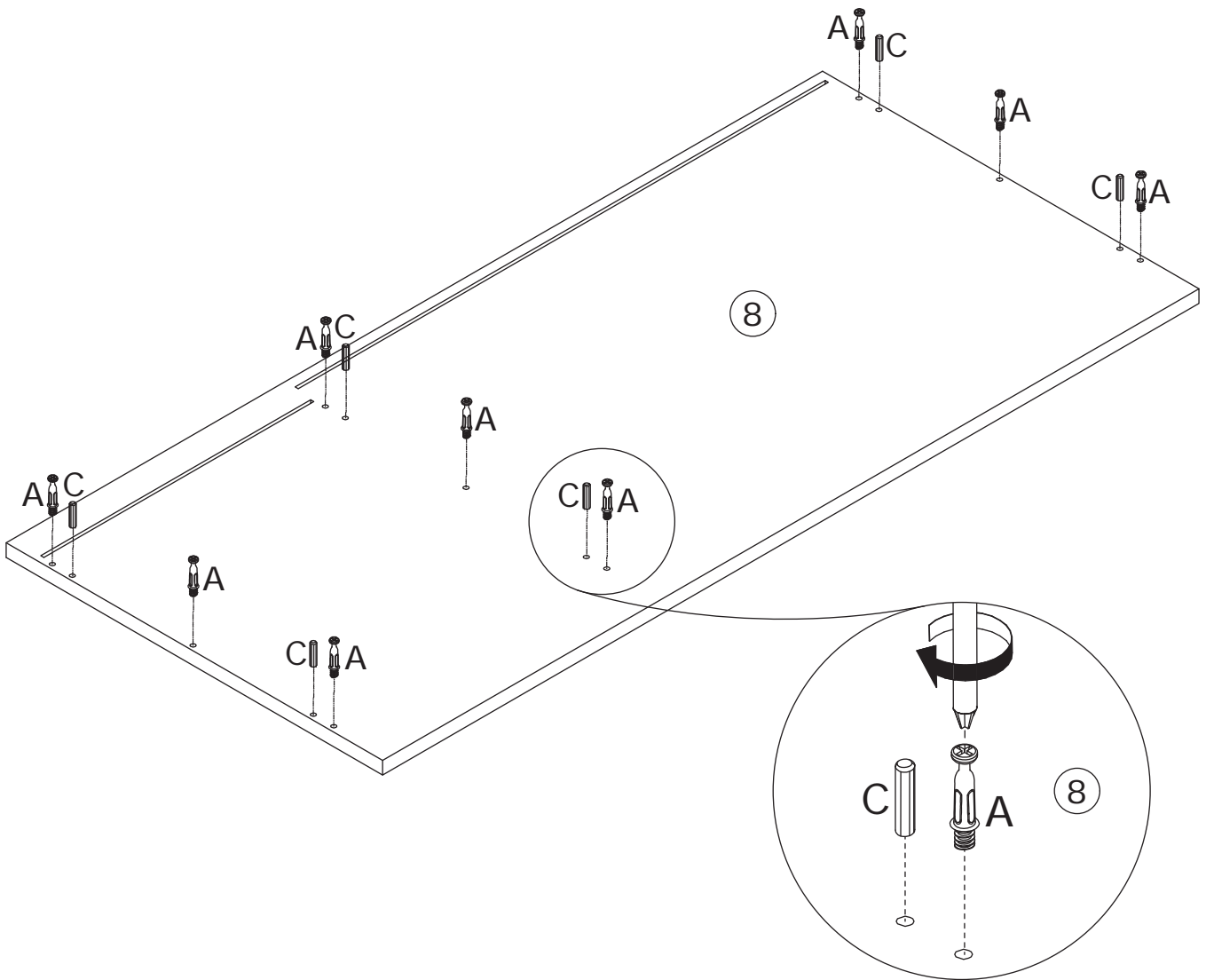
Connect panel 1 to panel 2, 3, 5 , 41 and 7,
then tighten by turning cam lock (B) clockwise.



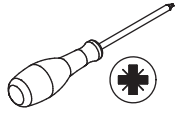
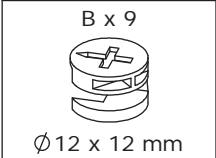
50



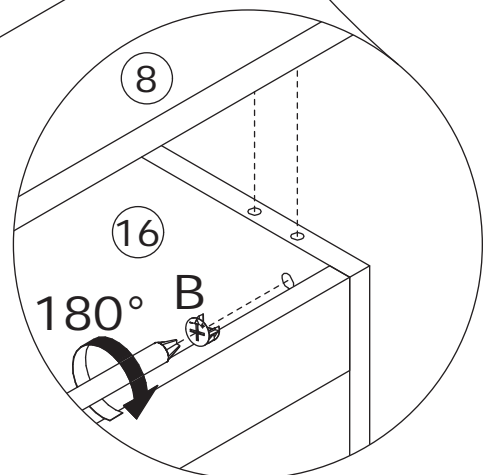
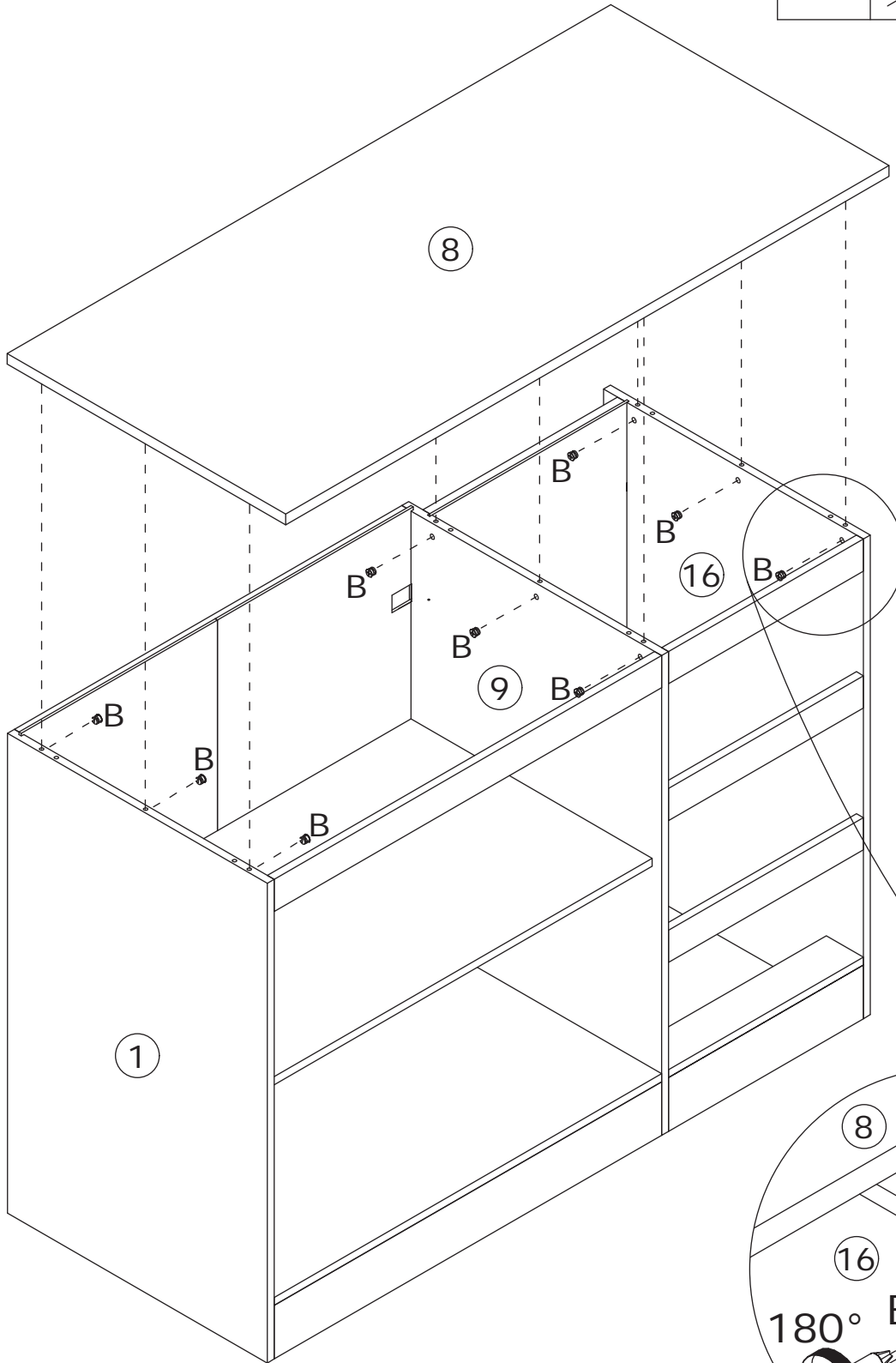
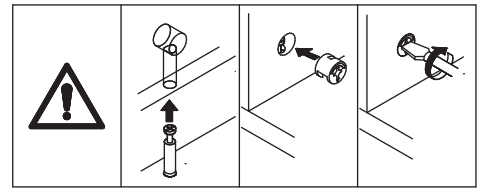
Screw self-tapping rod (A) and insert wooden dowel (C) into panel 8.



51



Connect panel 8 to panel 1, 9 and 16, then tighten by turning cam lock (B) clockwise.

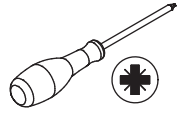


52

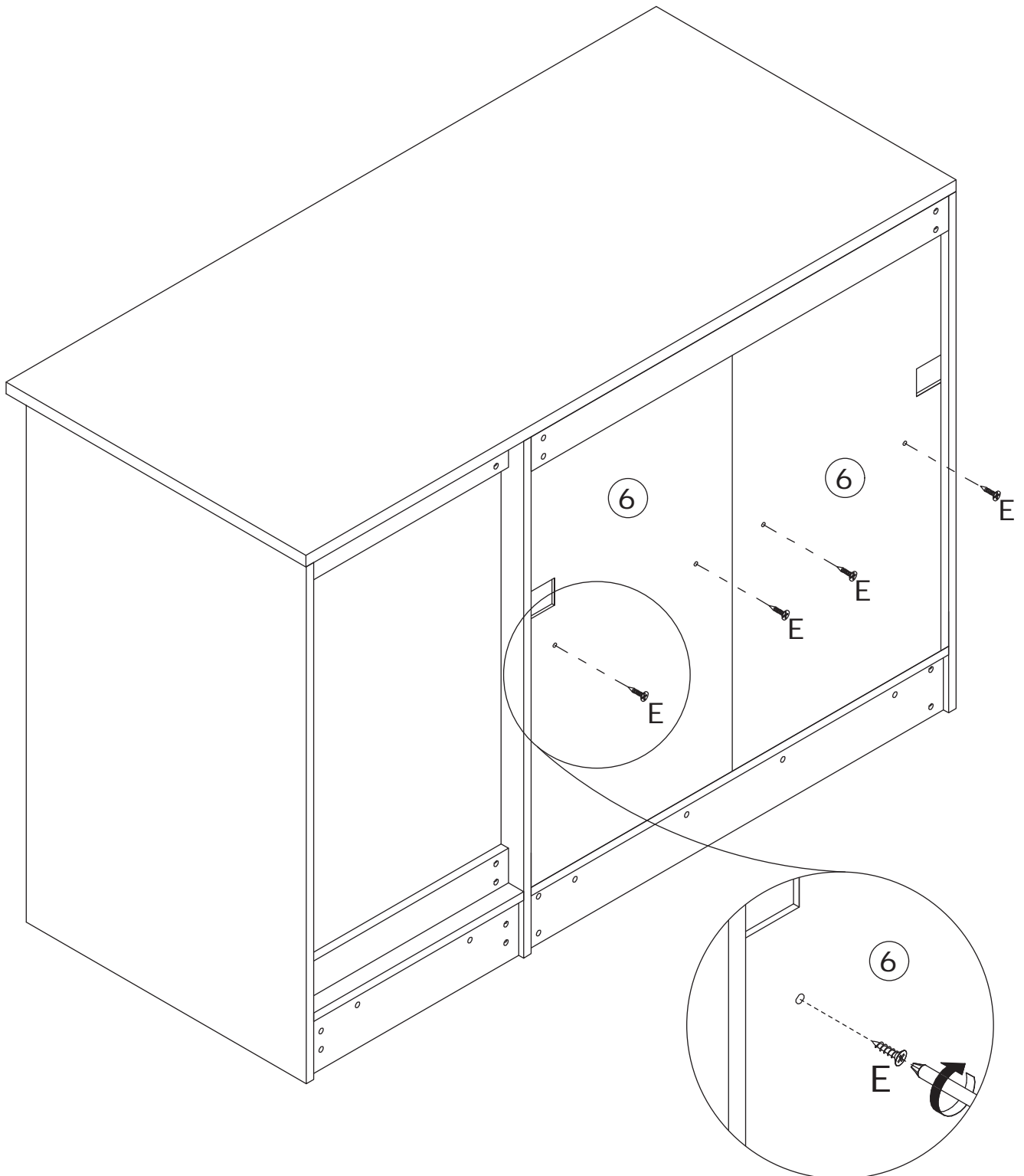
E x 4



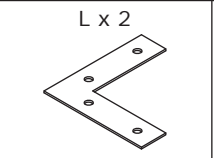
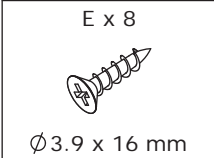
Ø3.9 x 16 mm



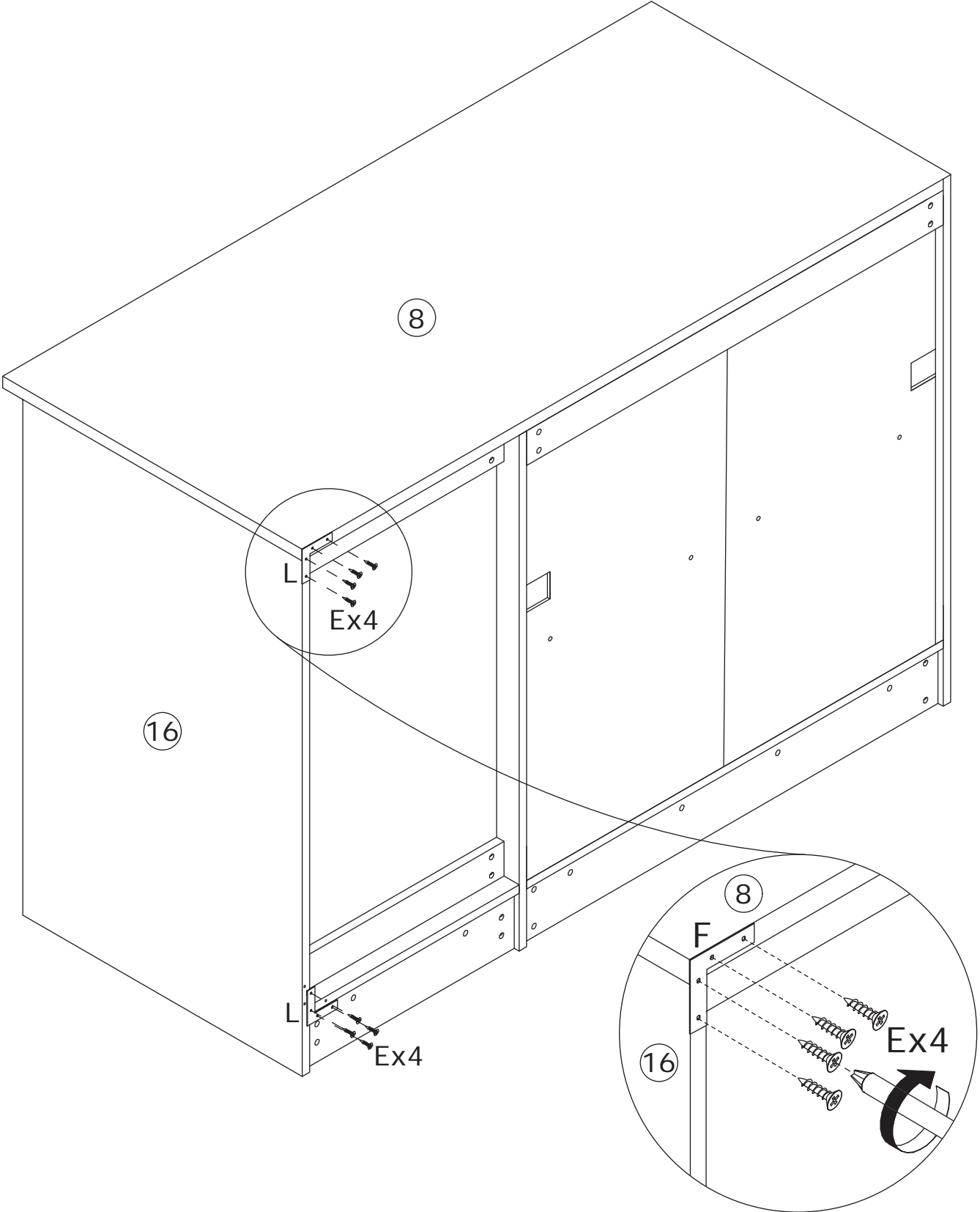
Secure panel 6 to the unit using screw (E).



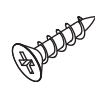

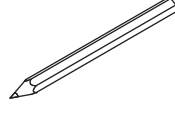
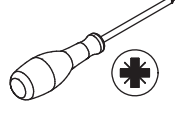
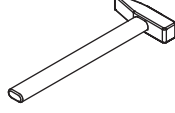


53



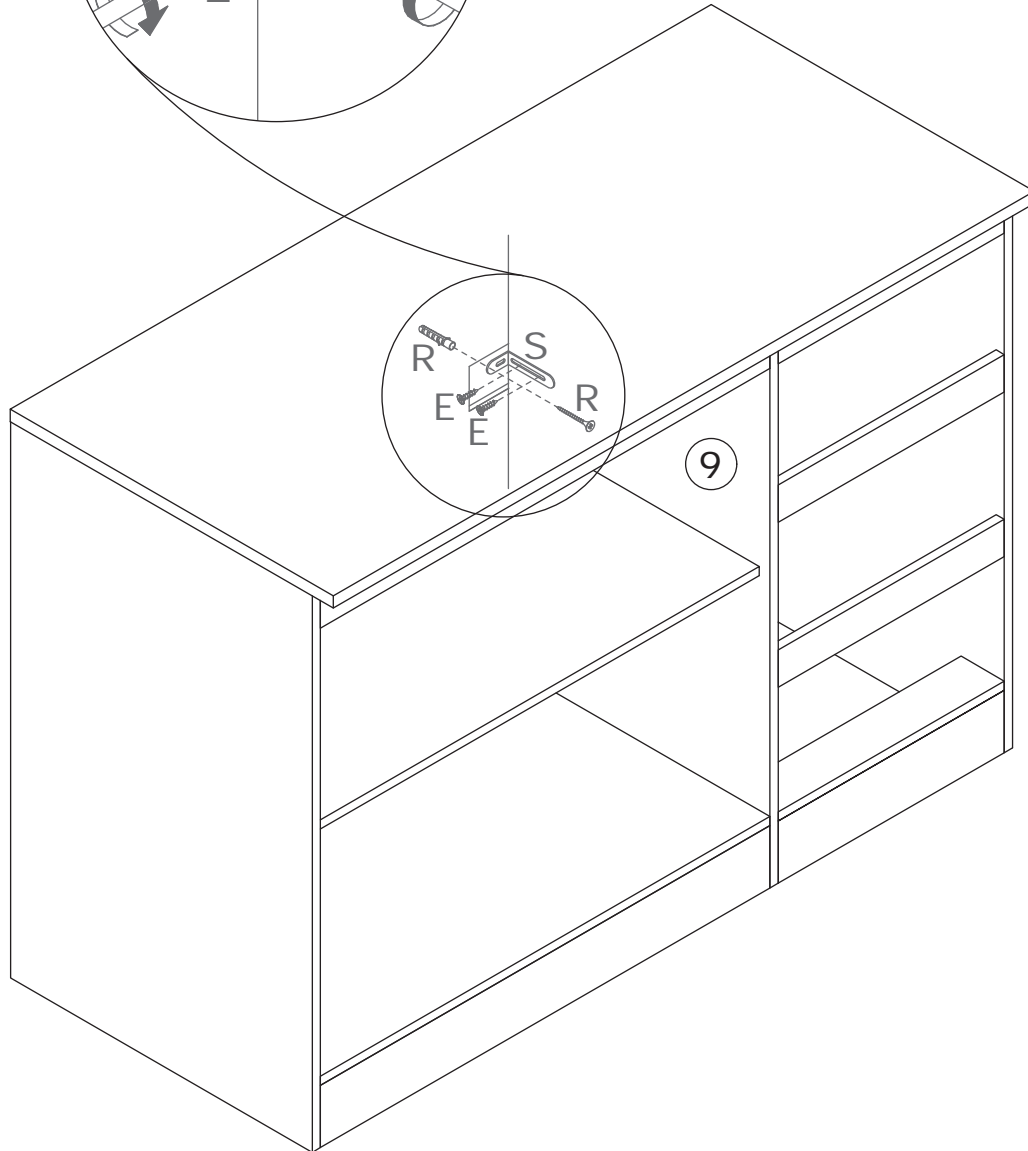
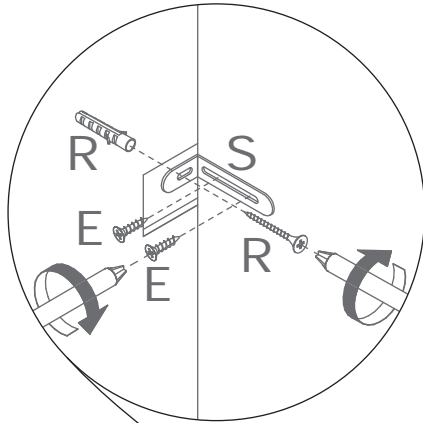
Secure part (L) to the installation unit using screw (E).

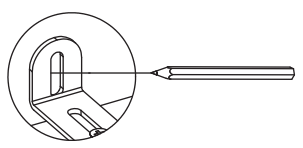
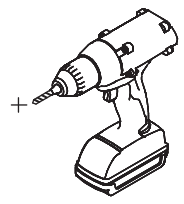
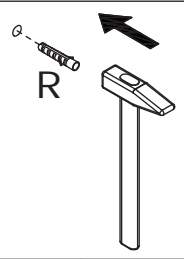
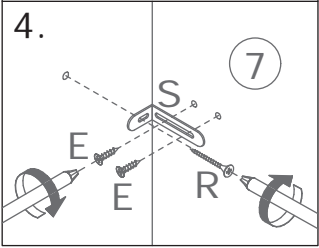


54

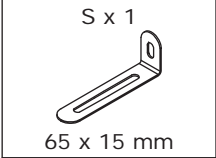
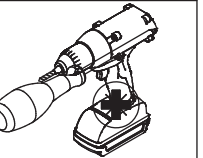
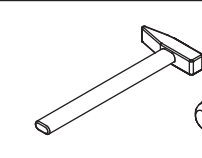
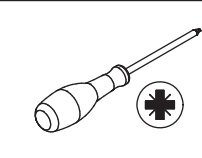
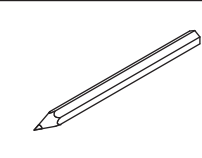
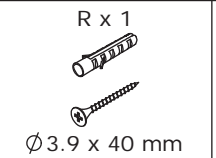
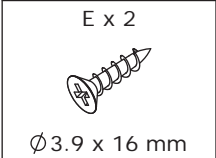
<p>E x 2</p>  <p>Ø3.9 x 16 mm</p>	<p>R x 1</p>  <p>Ø3.9 x 40 mm</p>				
<p>S x 1</p>  <p>65 x 15 mm</p>					

Install anti-tipping device as shown.

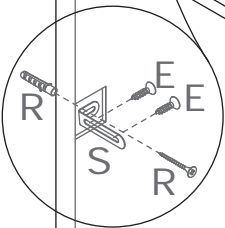
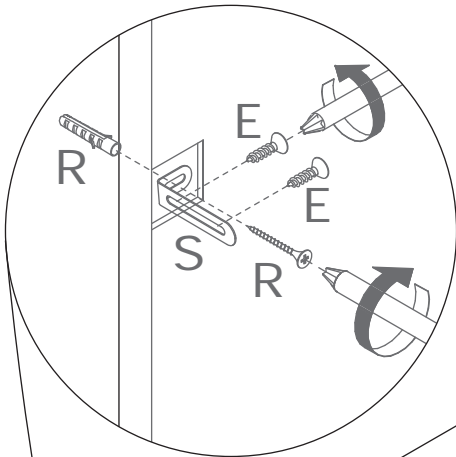


- 
- 
- 
- 

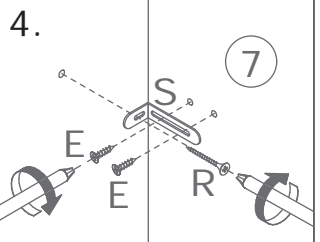
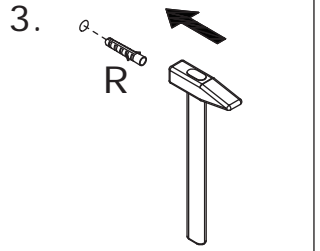
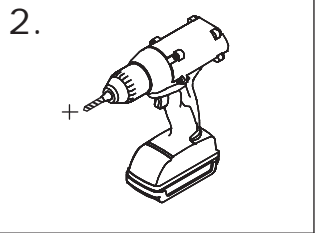
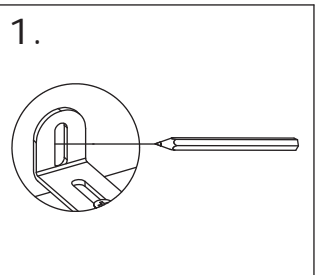
55



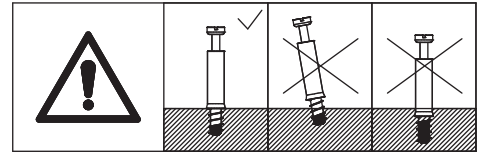
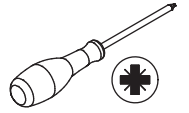
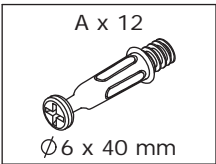
Install anti-tipping device as shown.



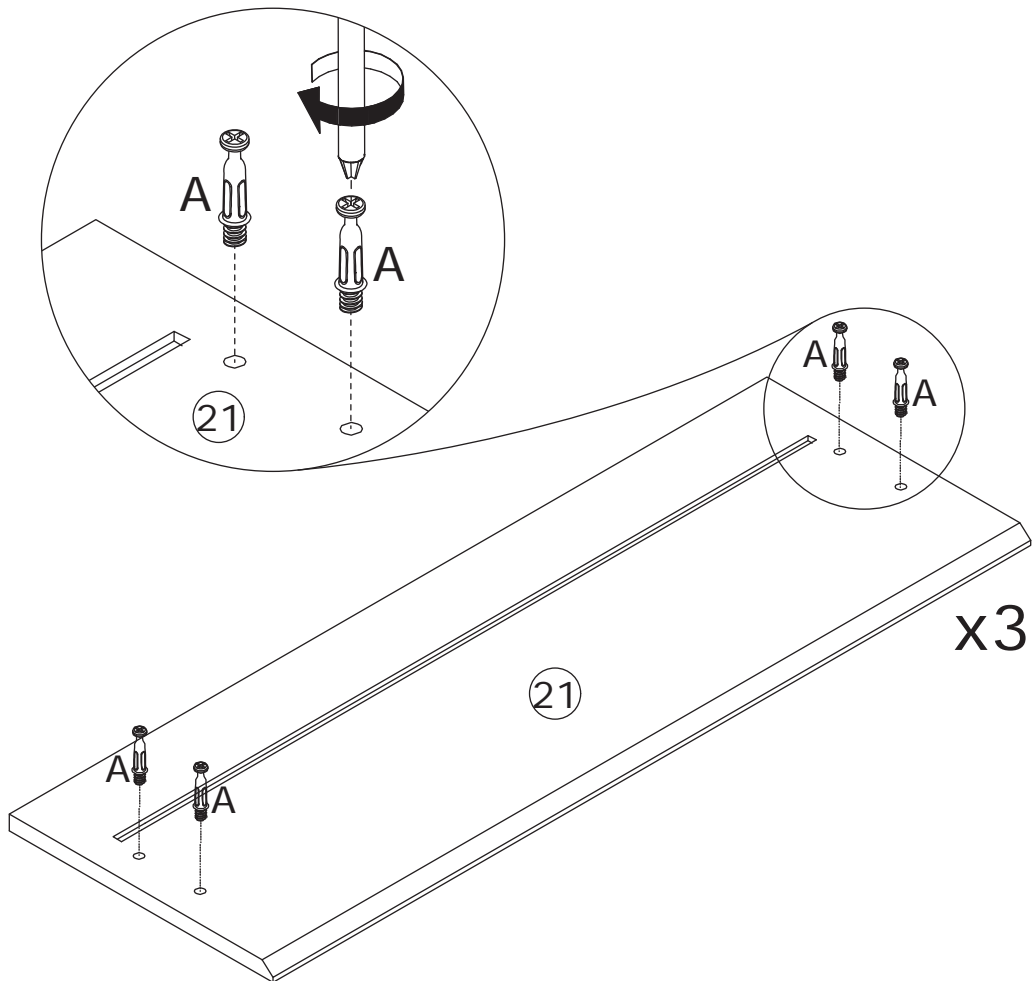
1



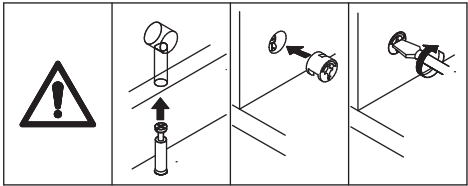
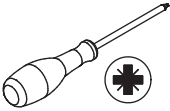
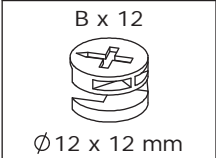
56



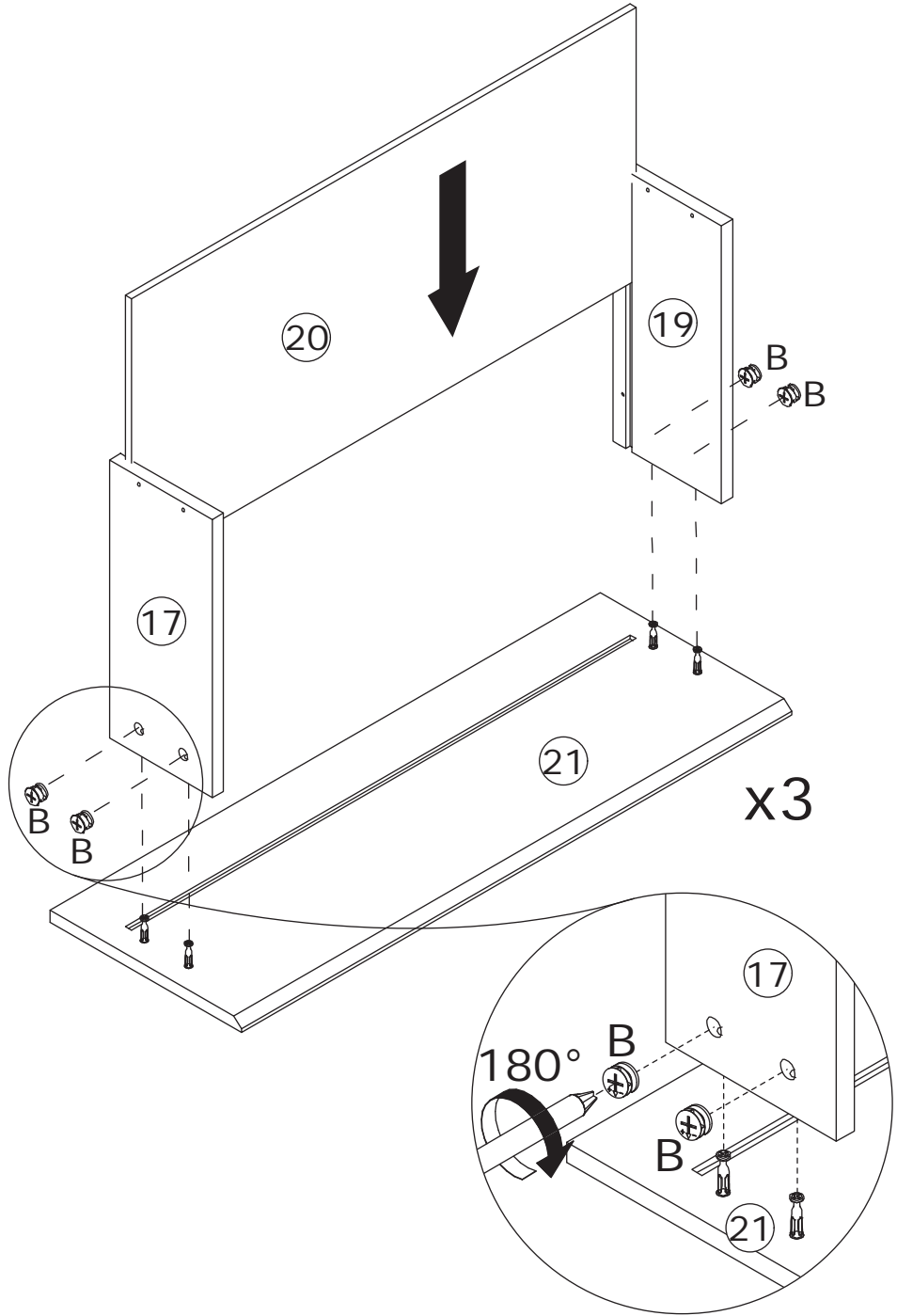
Screw the self-tapping stud (A) into panel 21.



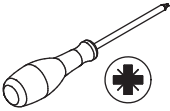
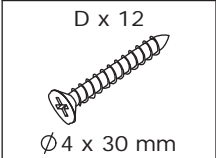
57



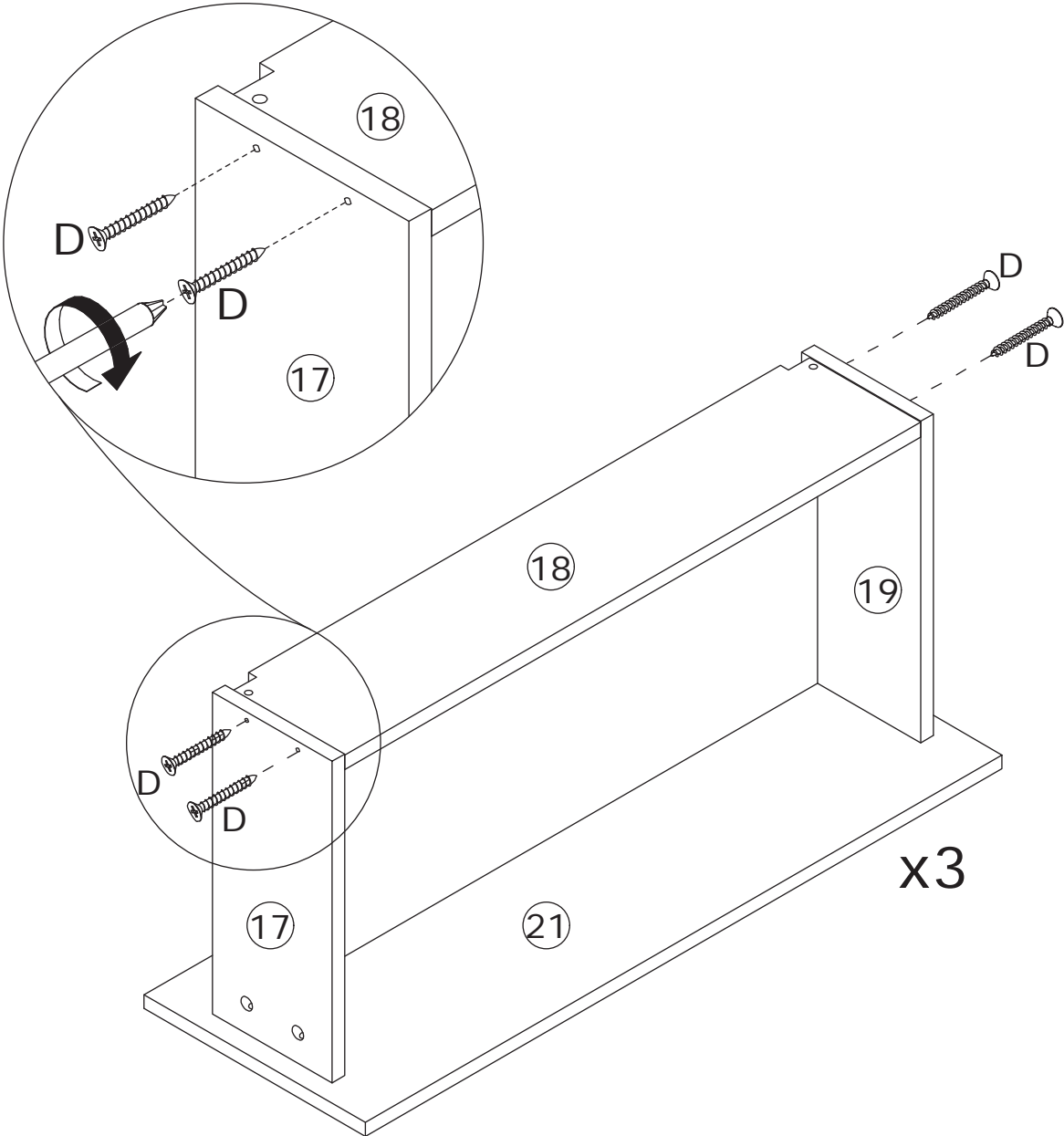
Connect panel 21 to panel 17 and 19, then tighten by turning cam lock (B) clockwise.
Insert panel 20 along the available slots.



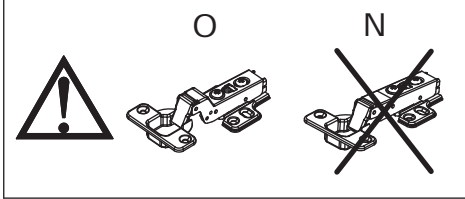
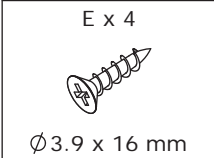
58



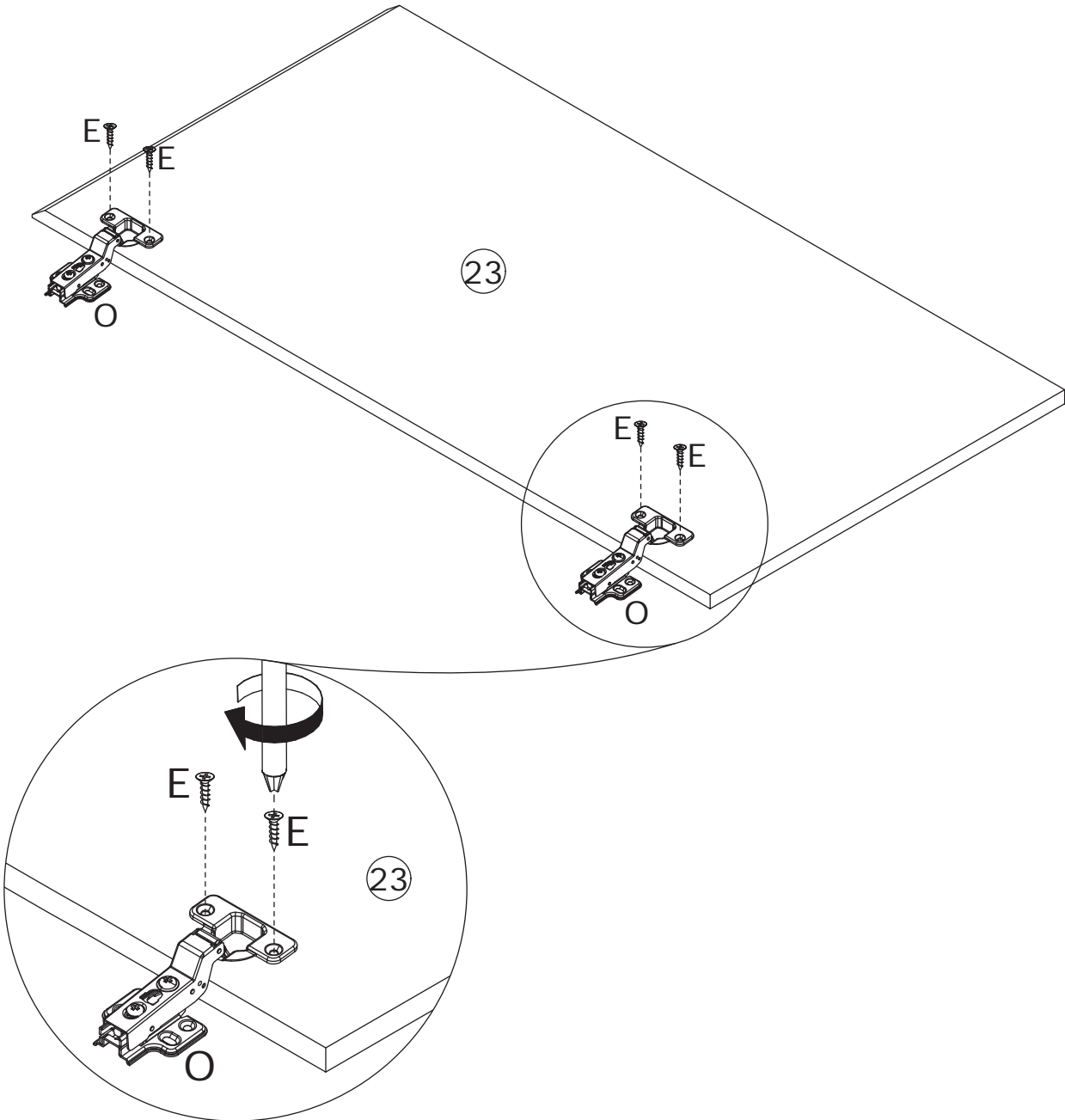
Secure panel 18 to panel 17 and 19 using screw (D).



59



Secure hinge (O) to panel 23 using screw (E).

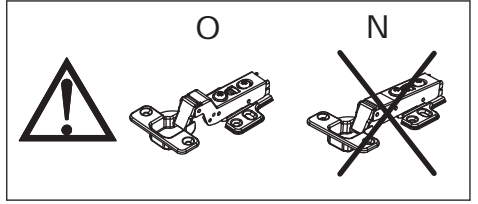
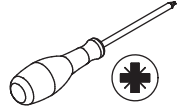


60

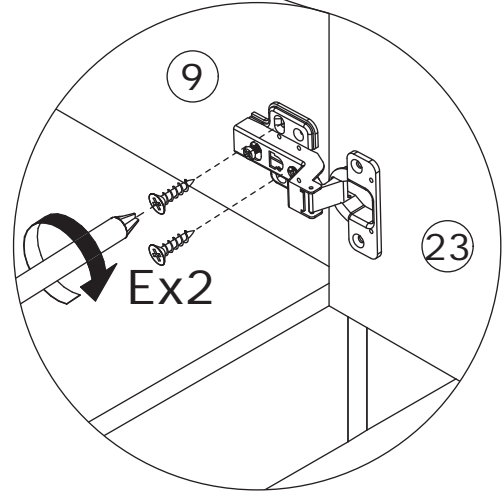
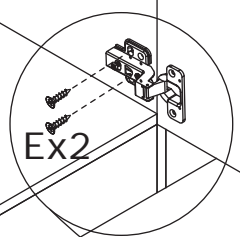
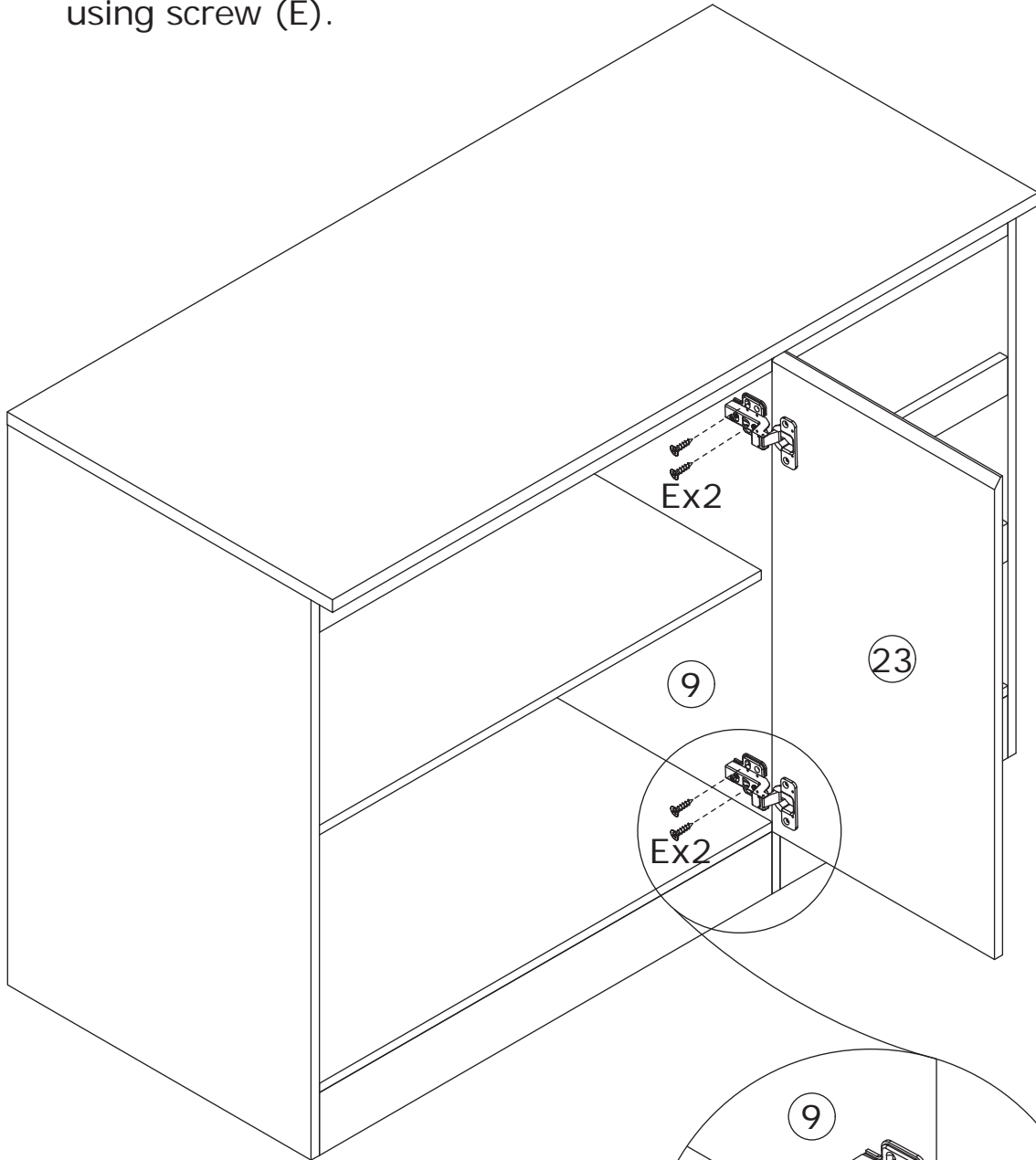
E x 4



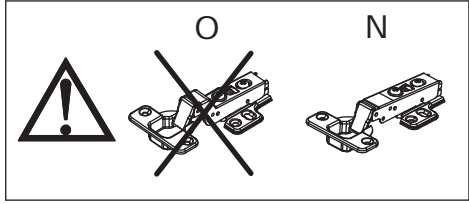
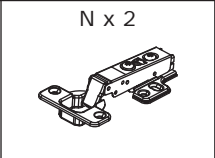
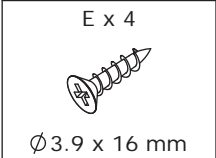
Ø3.9 x 16 mm



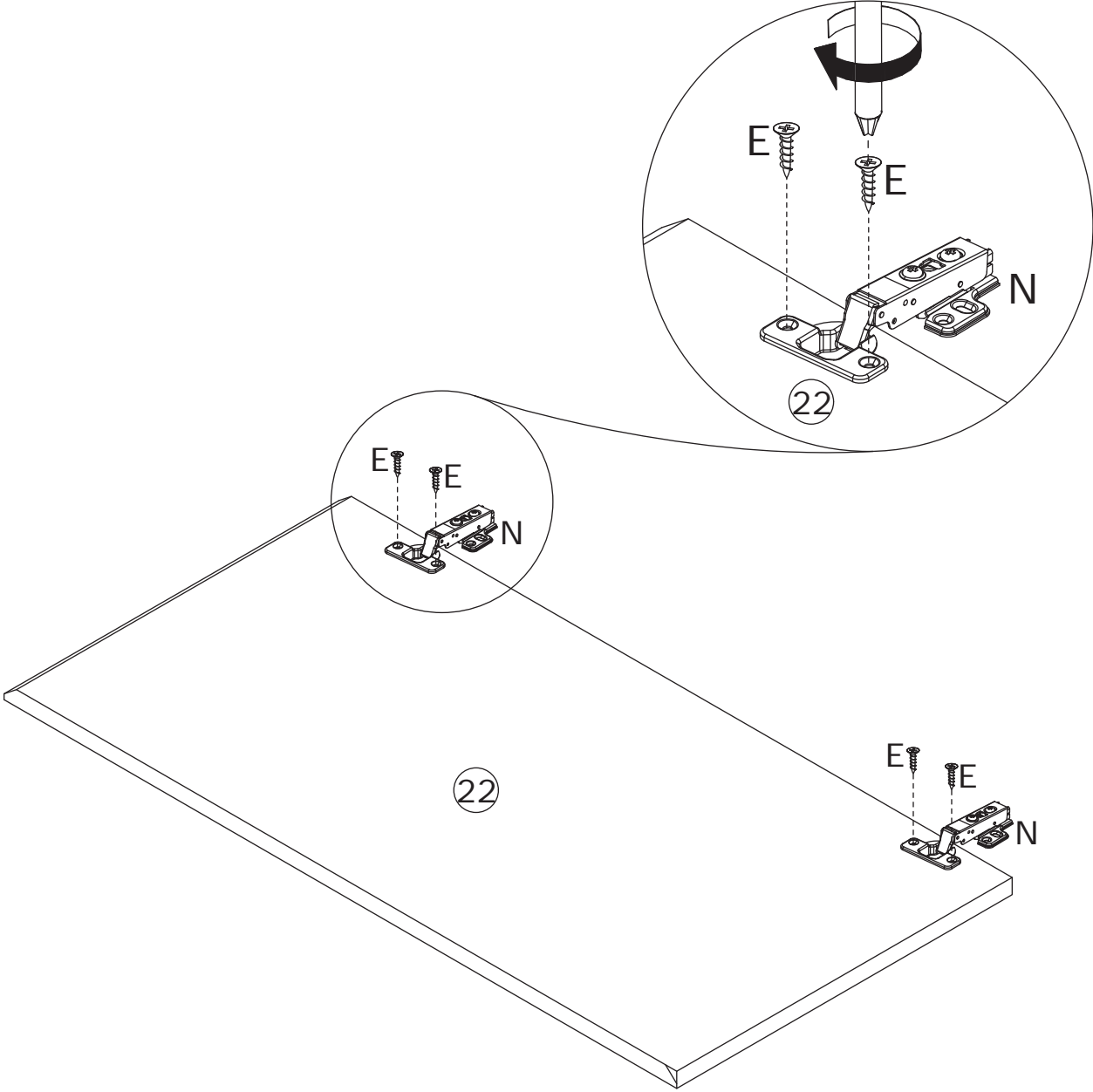
Secure panel 23 to panel 9 via hinges using screw (E).



61

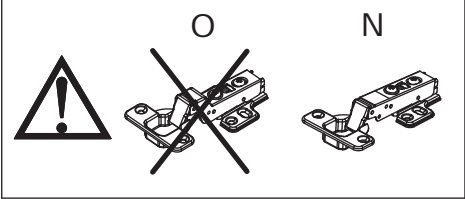
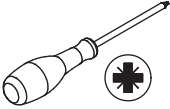


Secure hinge (N) to panel 22 using screw (E).

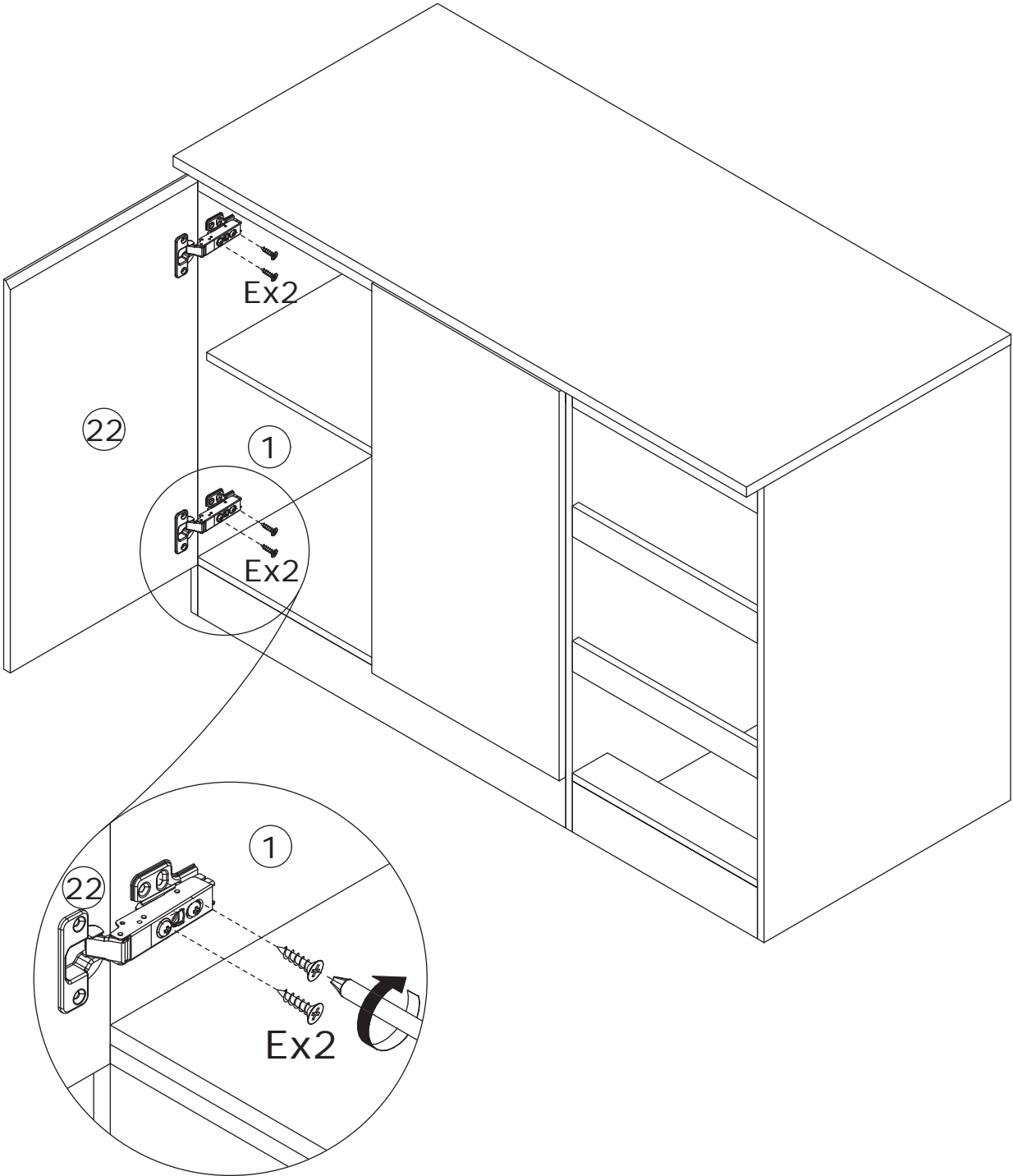


62

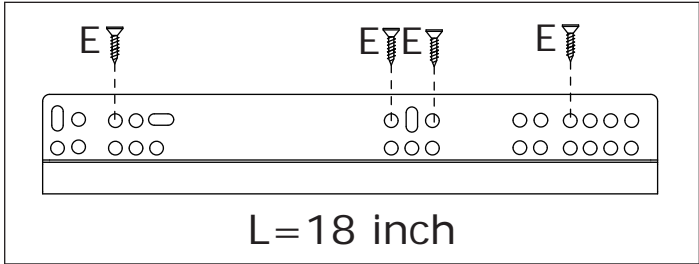
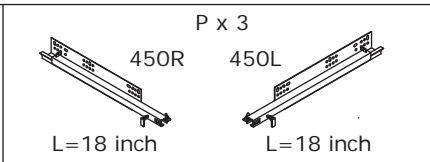
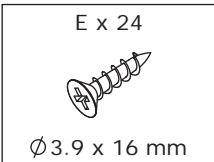
E x 4
Ø3.9 x 16 mm



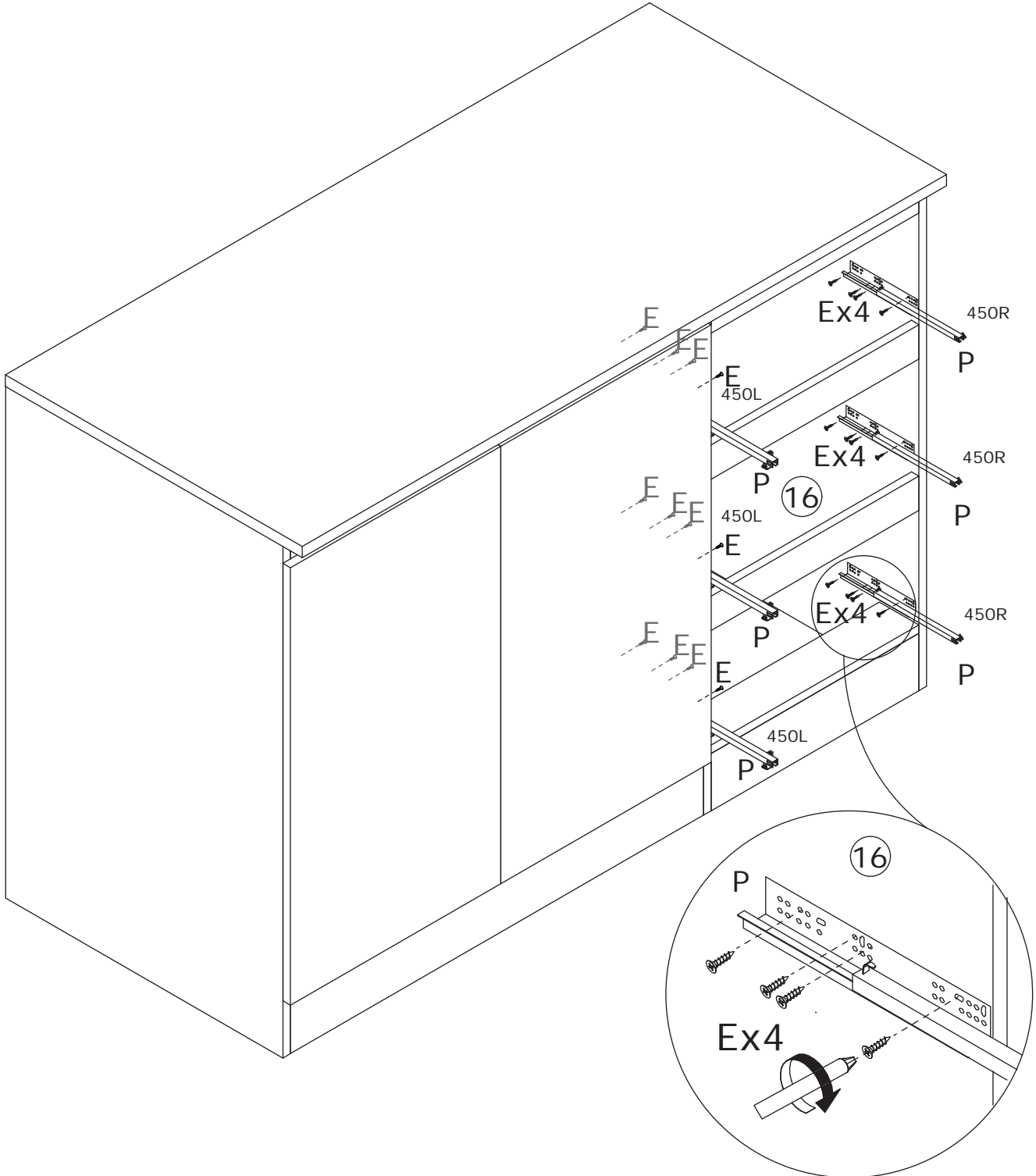
Secure panel 22 to panel 1 via hinges using screw (E).



63

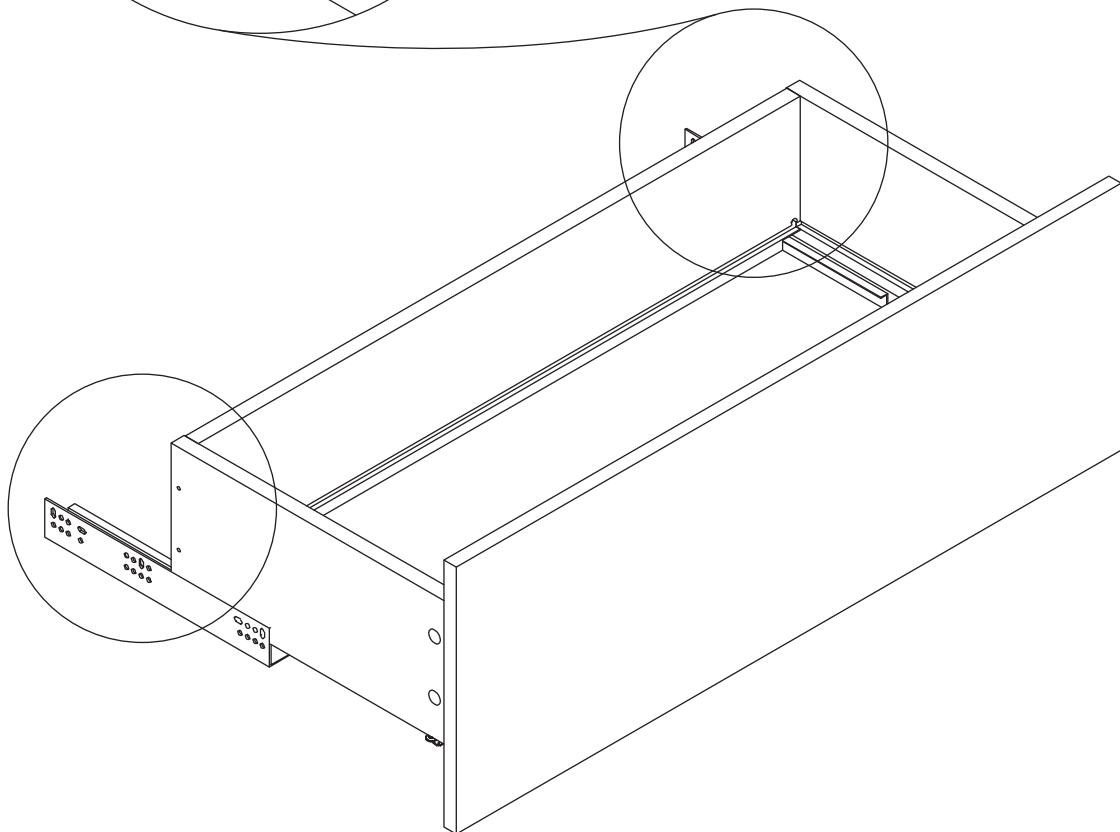
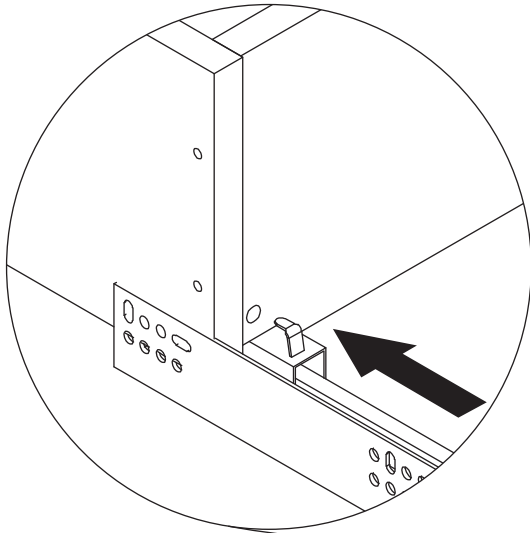


Secure slide rail (450R) and (450L) to panel 9 and 16 using screw (E).



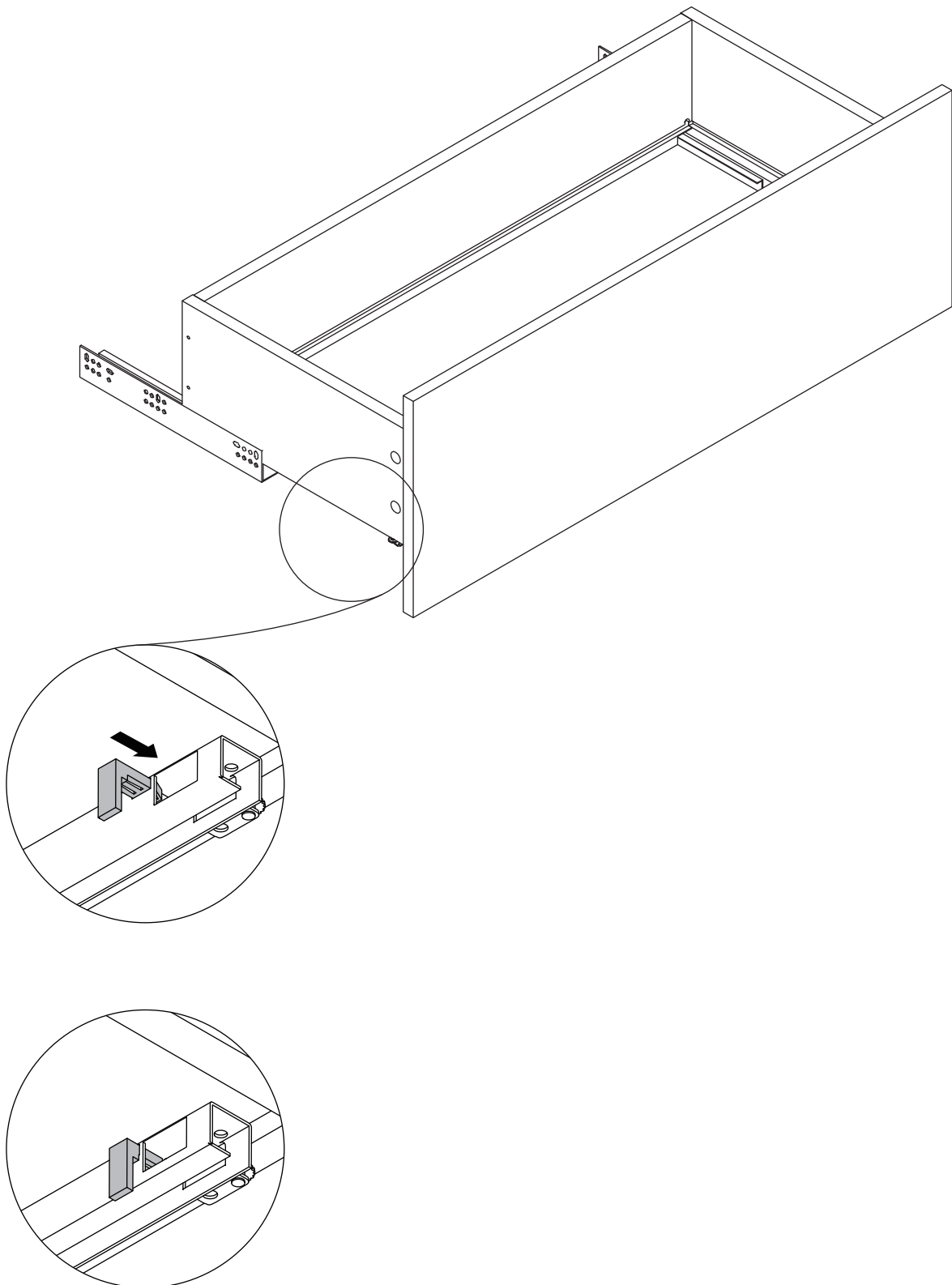
64

Insert the rear hook of the slide rail into the hole at the back of the drawer box.

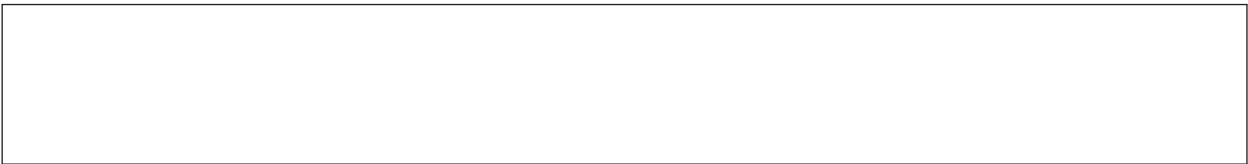


65

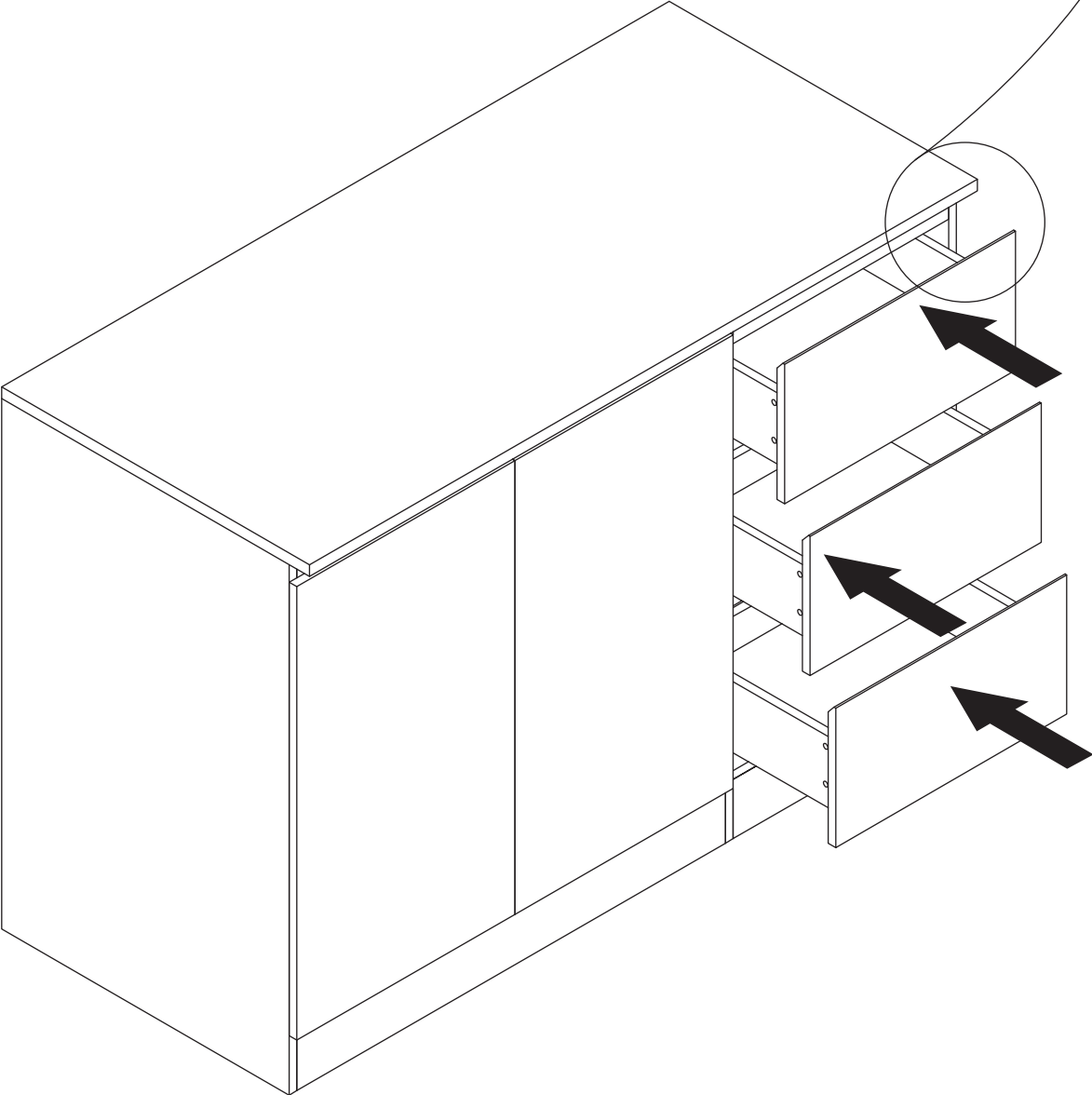
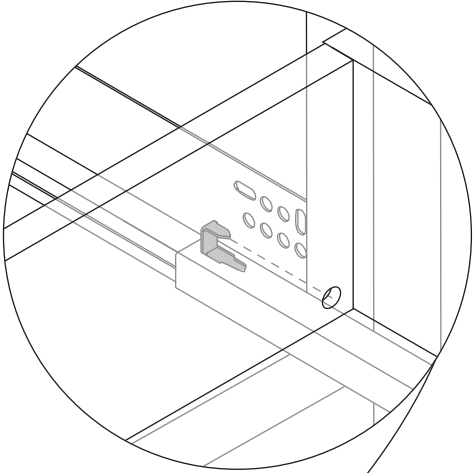
Align the slide rail and insert the slide rail buckle into the side hole of the drawer.



66

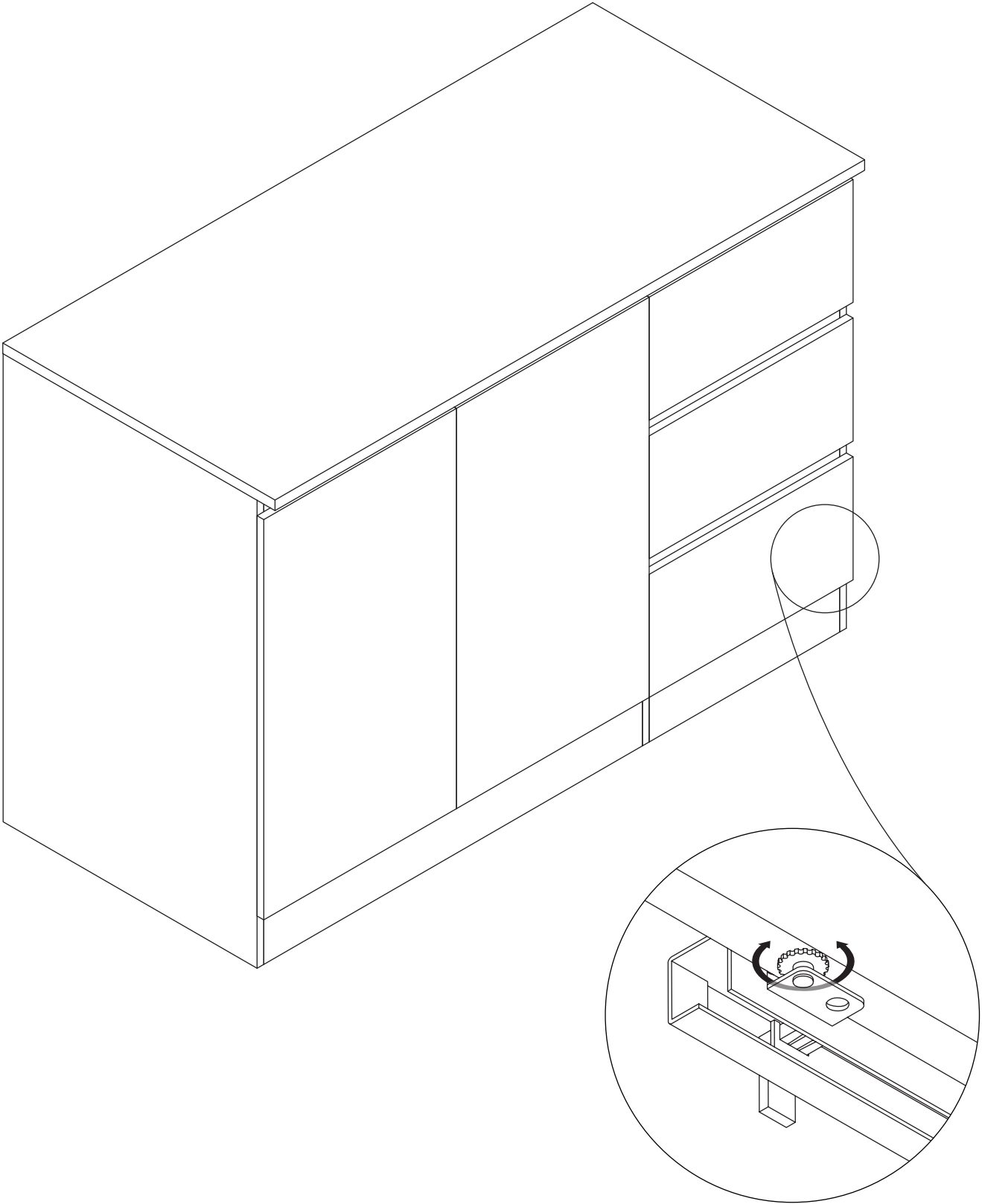


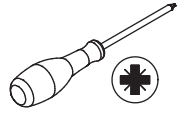
Push the drawer box into place.



67

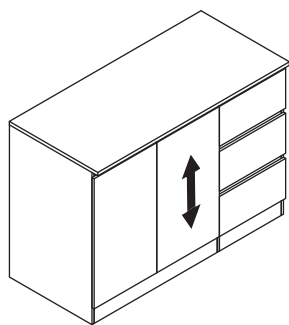
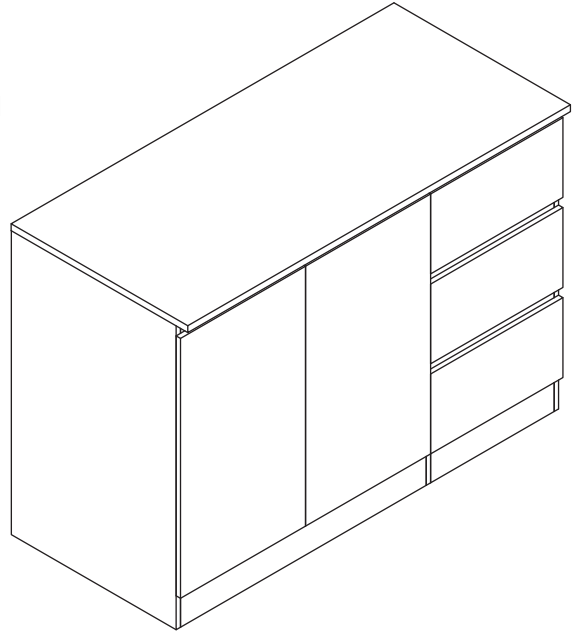
Adjust the drawer gap by rotating the knob at the bottom of the drawer.



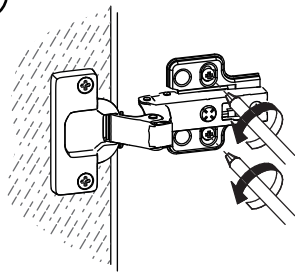


If the door panels are not aligned, please adjust the screws on the hinges according to the illustration.

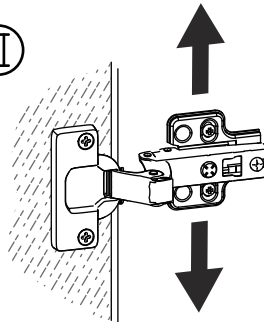
Or you can search this link to view the teaching video.
<https://youtu.be/n0Lb36SoODM>



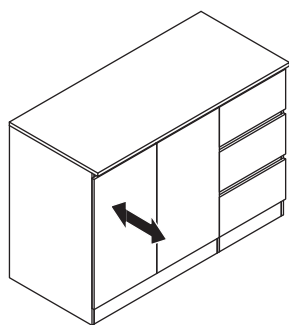
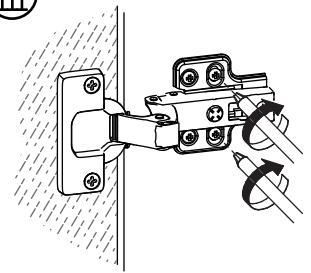
I



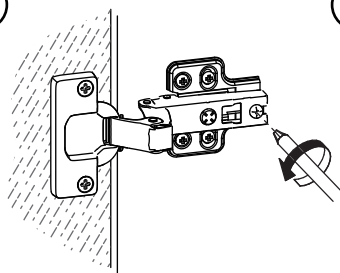
II



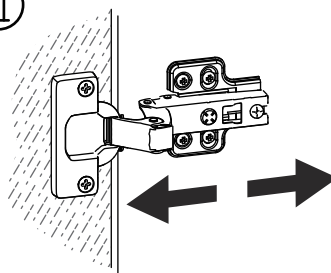
III



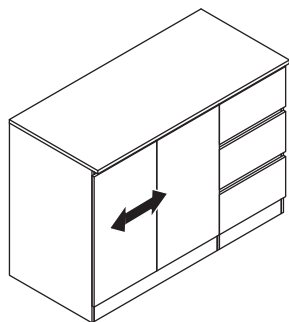
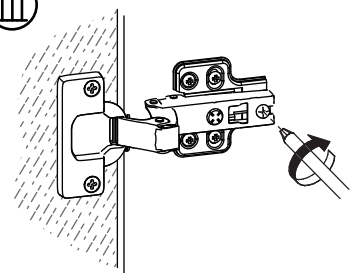
I



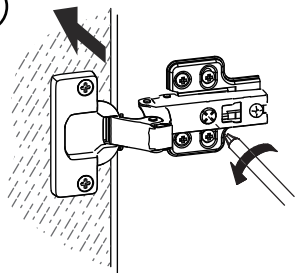
II



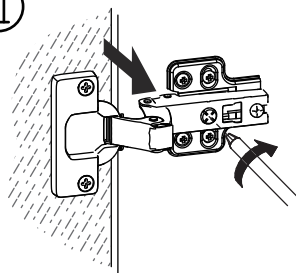
III



I



II



WARRANTY

WARRANTY CLAIMS

- There is a 30-day warranty for broken furniture or any other problems that do not work properly. The warranty will start from the date of purchase which must be verified by proof of purchase.
- Before making a claim, we may be able to answer your query, simply call us. Please leave your purchase order number, along with some details of the problem, if you want a replacement part. We will arrange within 48 hours. If there is out of stock, we will reply with a shipping date.
- The product must be used in accordance with the instructions provided. For health reasons.
- For other reasons, if the furniture needs to be returned, it must be cleaned and dried and operated within 30 days of receipt.

Type of Warranty Claim

- Failure to follow the furniture instructions will invalidate the warranty. Attention please.
- Does not include damage during installation, but includes damage during transportation.

Scope of responsibility

- Shall not bear any responsibility for misuse or user damage and / or loss of parts during the installation of furniture.
- After using, the damage and scratches of the furniture are not covered by the warranty.

The Warranty Relates to All Bought in The Us and Covers The Following Areas

- Sheet parts: 1 month from the date of purchase.
- Electrical parts: 1 month from the date of purchase.

RETURNS

CHANGED YOUR MIND AND NEED TO RETURN YOU ITEM?

PLEASE FOLLOW THE BELOW INSTRUCTIONS:

- If you have purchased and have simply changed your mind, follow the retailer's instructions for returns.

DEFECTIVE ITEMS

- If your item is defective in any way, i.e. it doesn't work but you can't identify why, in the first instance, please call us.

DAMAGED ITEMS

- If you receive an order with obvious shipping damage from the retailer, then we suggest the delivery is refused. If the delivery has been accepted and then shipping damage is found, please follow the specific instructions advised by the retailer.
In all circumstances please save all packaging material and paperwork for the order. Please be aware that if you dispose of packaging material or attempt to return the merchandise without contacting the fulfiller, you jeopardise your chances of making a claim, and you may not receive a credit for the return.

AFTER-SALES CONTACT

