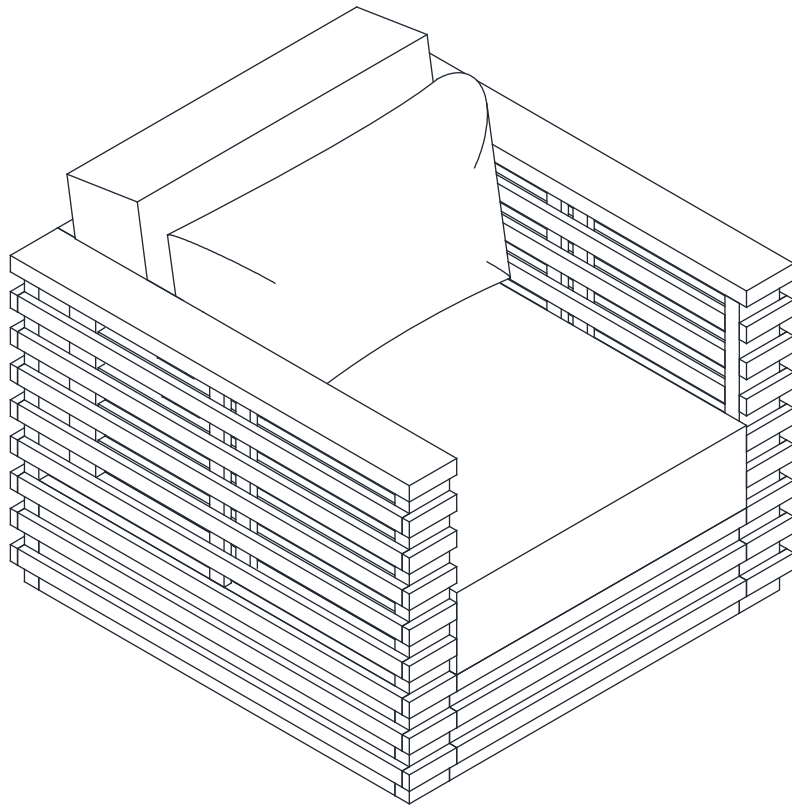


TORTUGA EUCALYPTUS PATIO CHAIR

DESIGN # CPT1047

Assembly Instructions



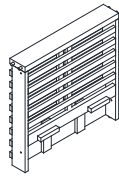
SAFAVIEH
C O U T U R E

Thanks for bringing Safavieh Couture into your home

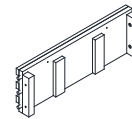
Everything We make is incredibly simple to set up, including your new dining chair. You won't need any additional tools.

Parts & hardware

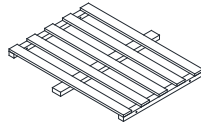
A x 1
Frame back



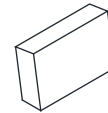
E x 1
Frame Front



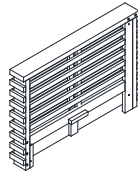
B x 1
Frame Seat



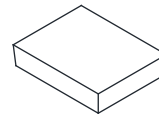
CSH 1 x 1
Back Cushion



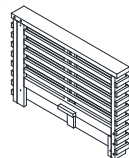
C x 1
Frame Leg 1



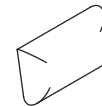
CSH 2 x 1
Seat Cushion



D x 1
Frame Leg 2



CSH 3 x 1
Pilot Cushion



HW1 x 4
Allen Bolt: M6x0.5x35 mm



HW2 x 4
Allen Bolt: M6x0.5x45 mm



HW3 x 4
Allen Screw: M6x0.5x45 mm

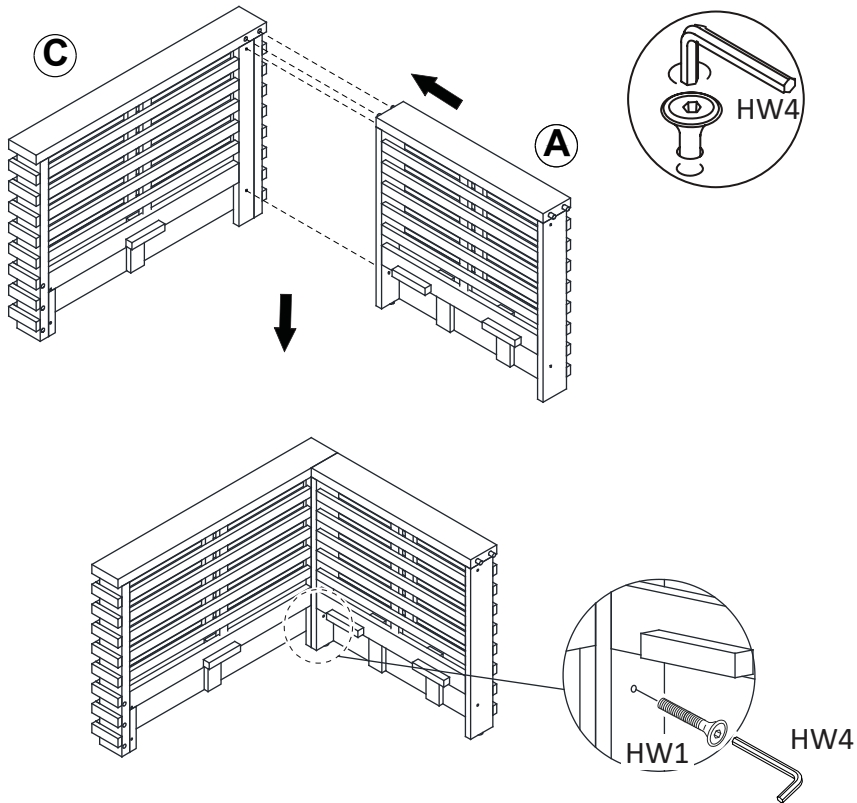


HW4 x 1
Allen key



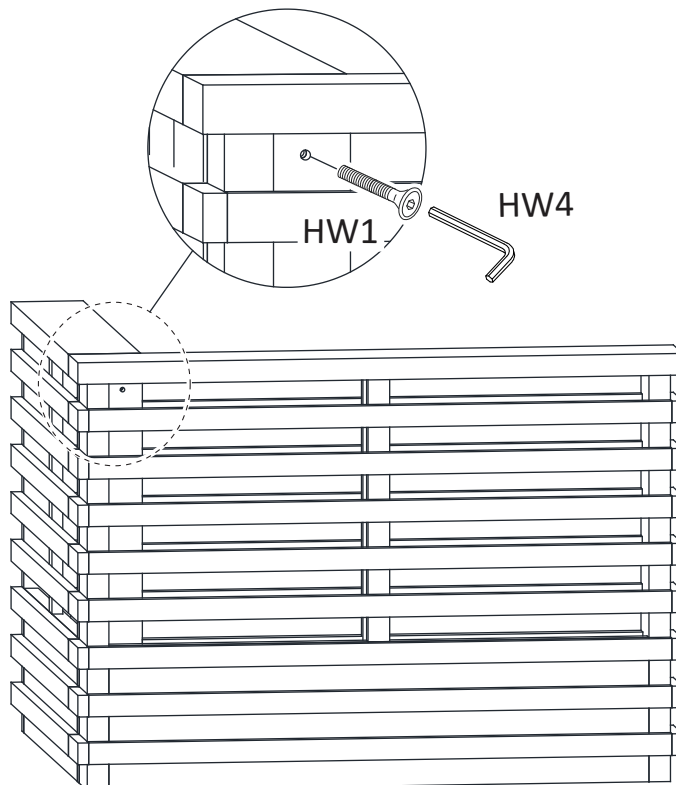
1

Attach Frame Leg 1 (C) to Frame Back (A) ,use Bolt (HW1) tighten with allen key (HW4).



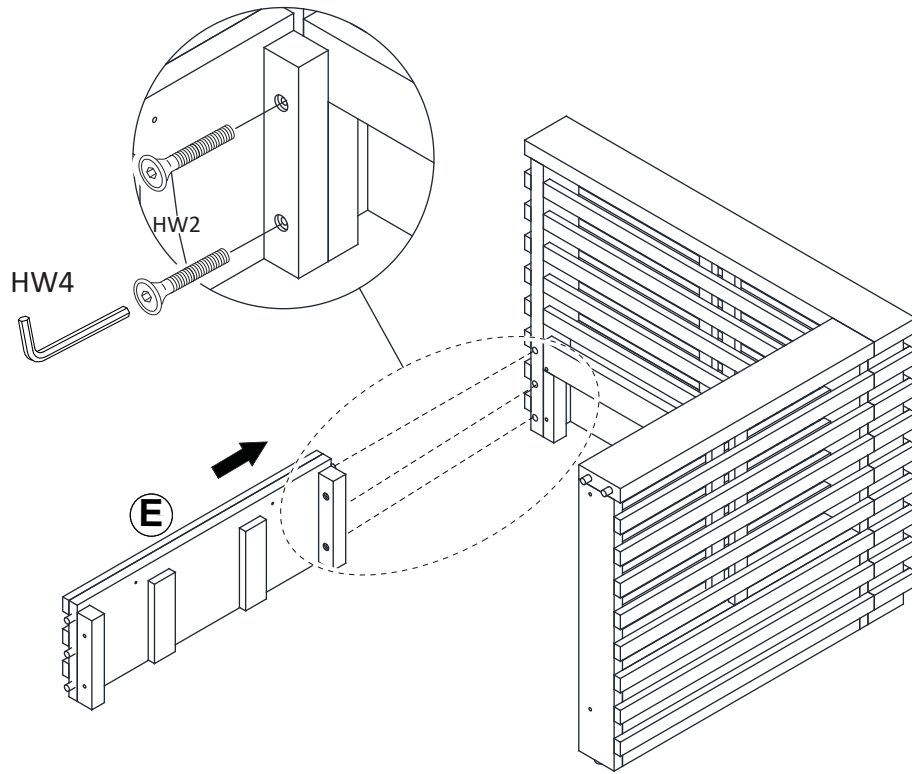
2

Use Bolt (HW1) tighten with allen key (HW4).



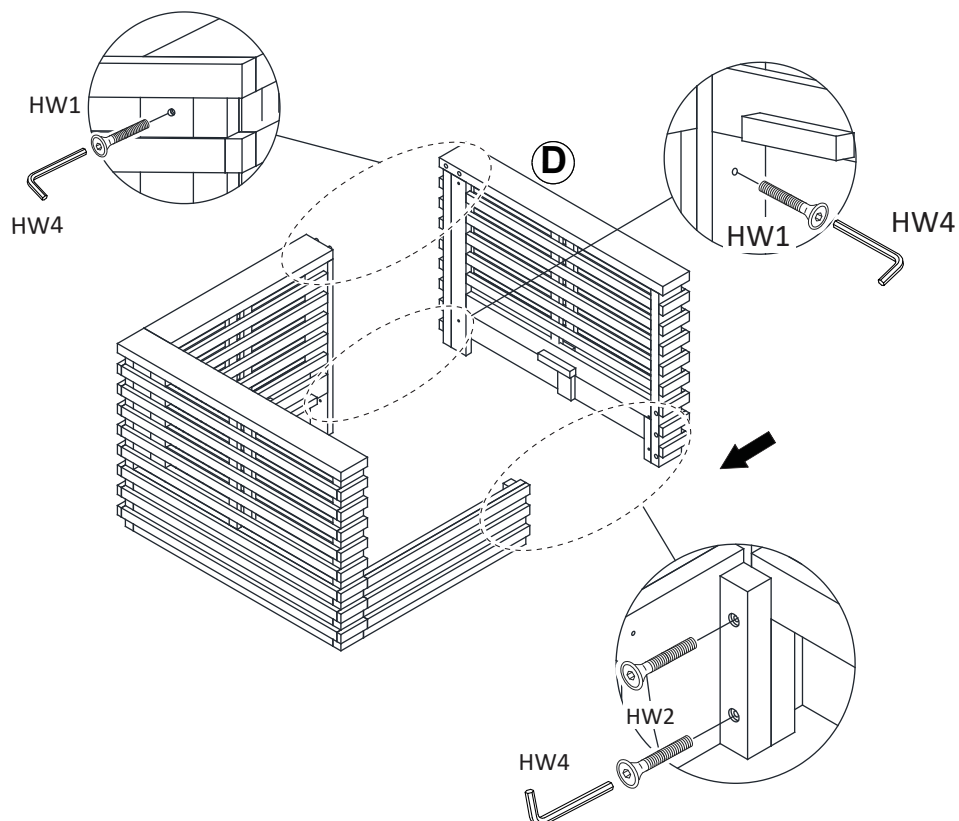
3

Attach Frame Front (E) to Frame Leg 1 (C), use Bolt (HW2) tighten with allen key (HW4).



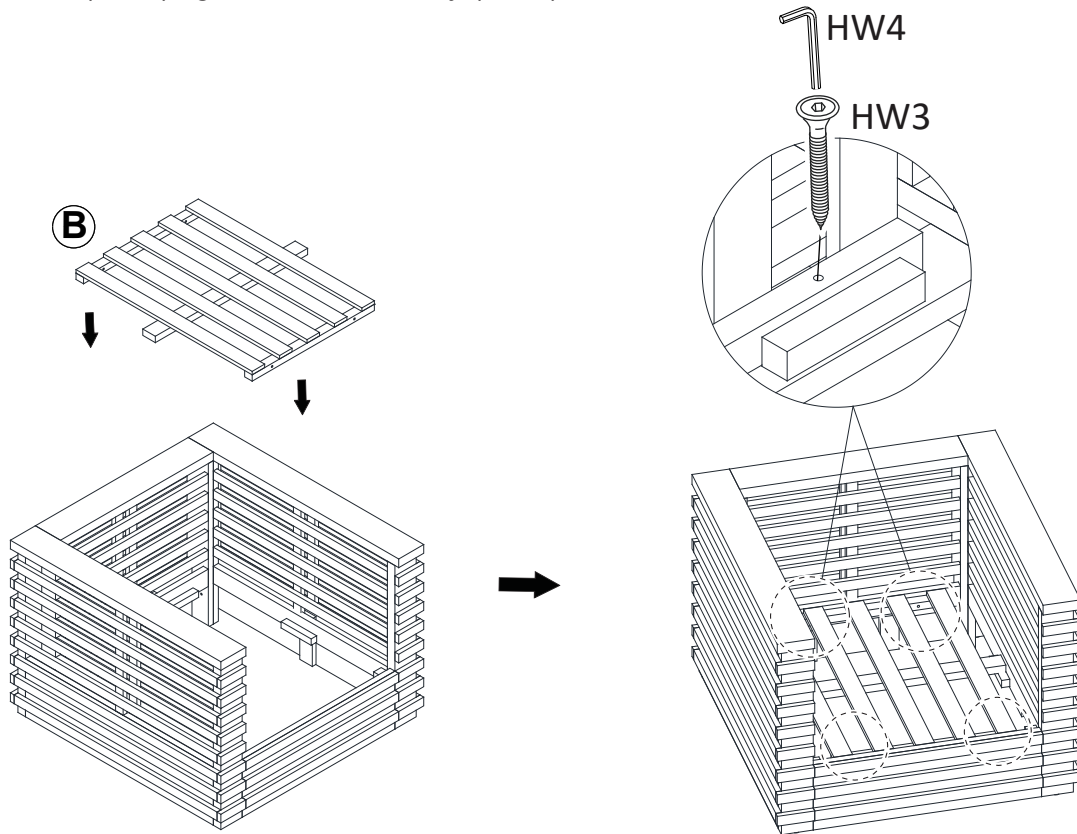
4

Attach Frame Leg 2 (D) to Frame Front (E) and Frame Back (A) Use Bolt (HW2),(HW1) tighten with allen key (HW4).



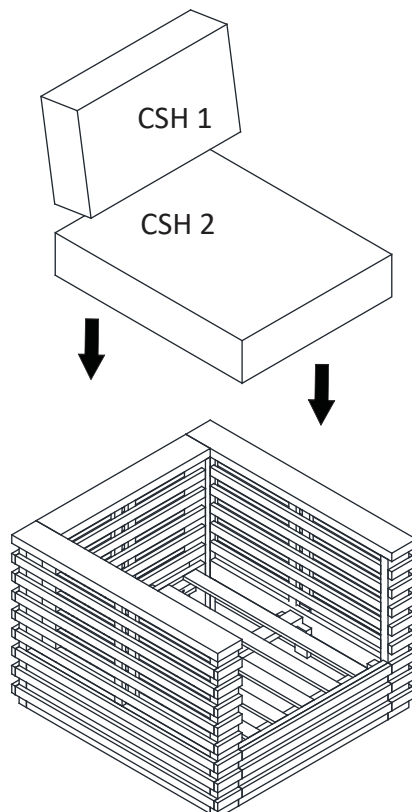
5

Attach Frame Seat (B) to Frame as shown above
Use Screw (HW3) tighten with allen key (HW4).

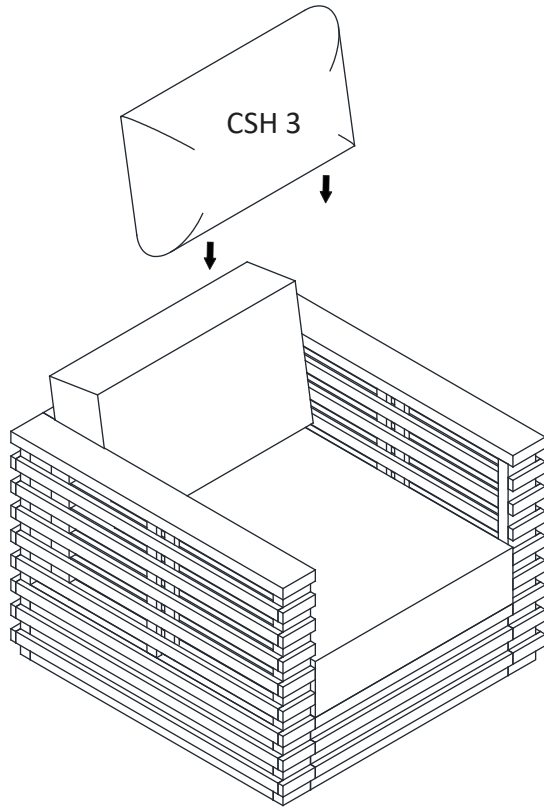


6

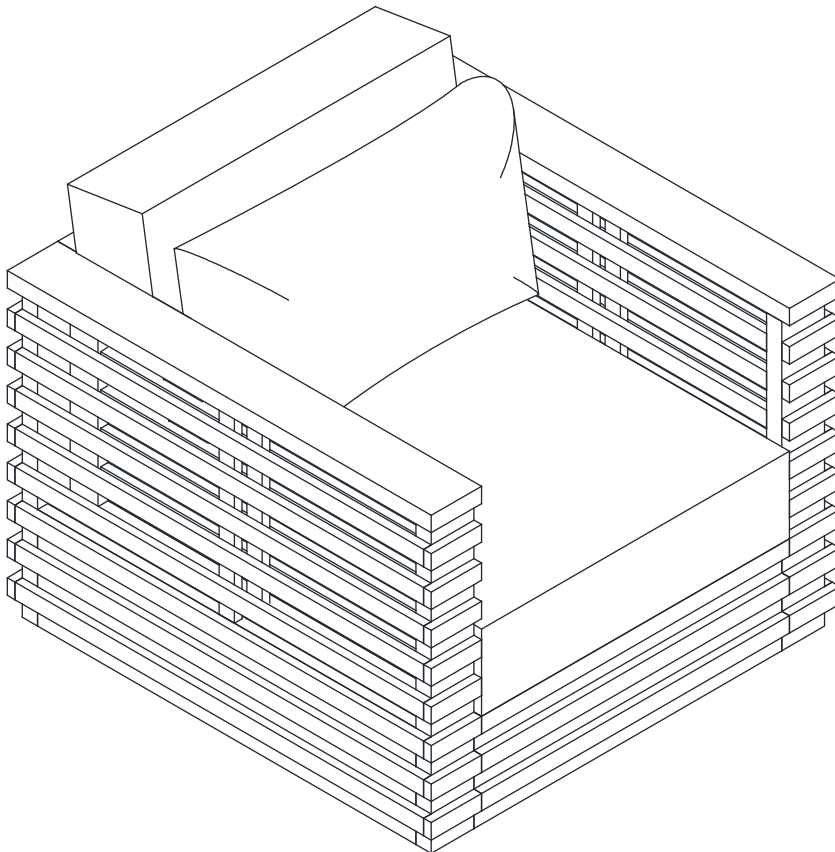
Attach Seat Cushion (CSH 1) and Back Cushion (CSH2) in Chair.



7
Attach Pilot Cushion (CSH 3) in Chair.



8
Complete.



Need help?

Feel free to contact us via email or call
If you have any specific question!

Contact us:

CS@safavieh.com
866-422-9070