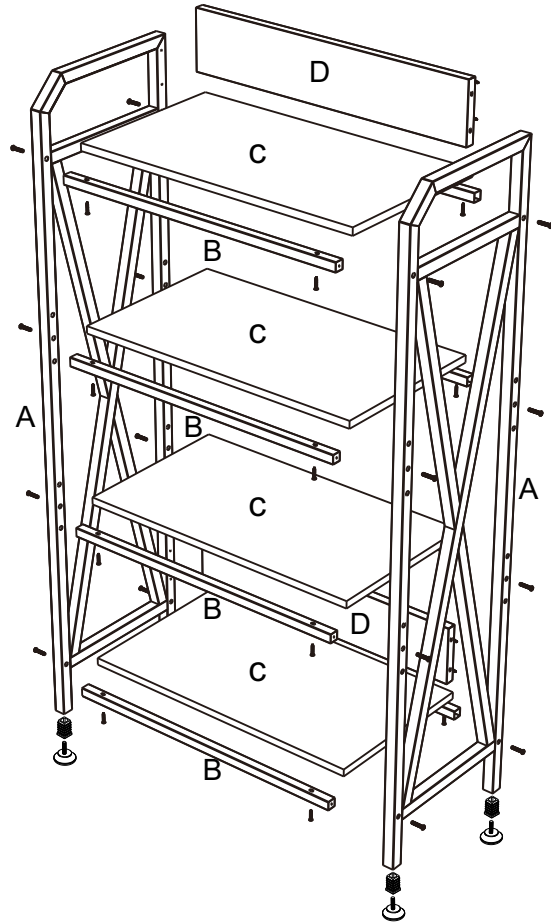
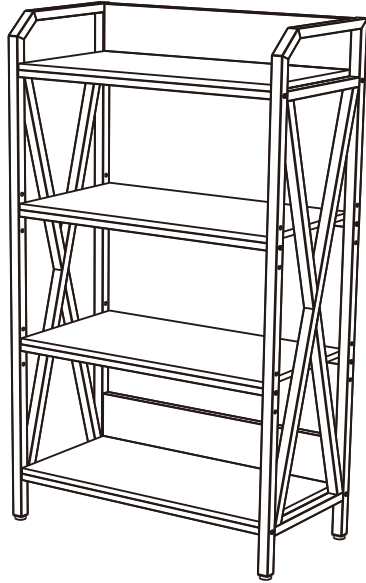


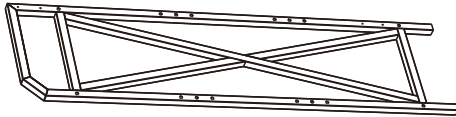
# Assembling Guide

Thank you for choosing our product!



**If you're having difficulty, please give us a chance to make it right and do better! Replacements for missing or damaged parts will be shipped ASAP!**

A Side Panel x2



B Crossbar x8



C Wooden Shelf x4



Look for "4-Tier Storage Rack"

D Back Panel x2



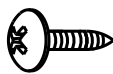
E Screws for Side Panel x16



F Screws for Shelf x16



G Screws for Back Panel x8



H1 Foot Plug x4



H2 Adjustment Foot x4



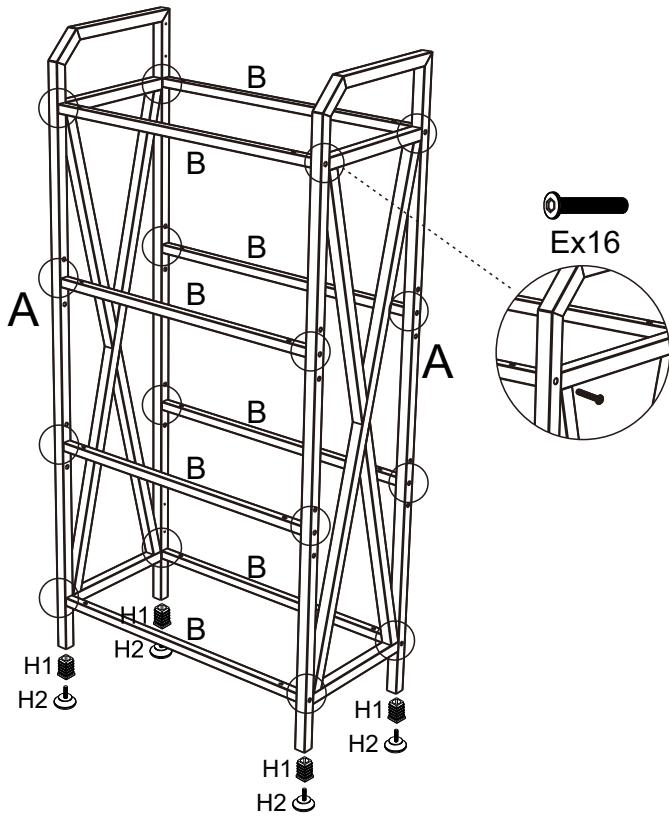
I Screwdriver


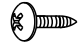


**We always provide some extra screws for backup. Don't worry if you have some left over after installation.**

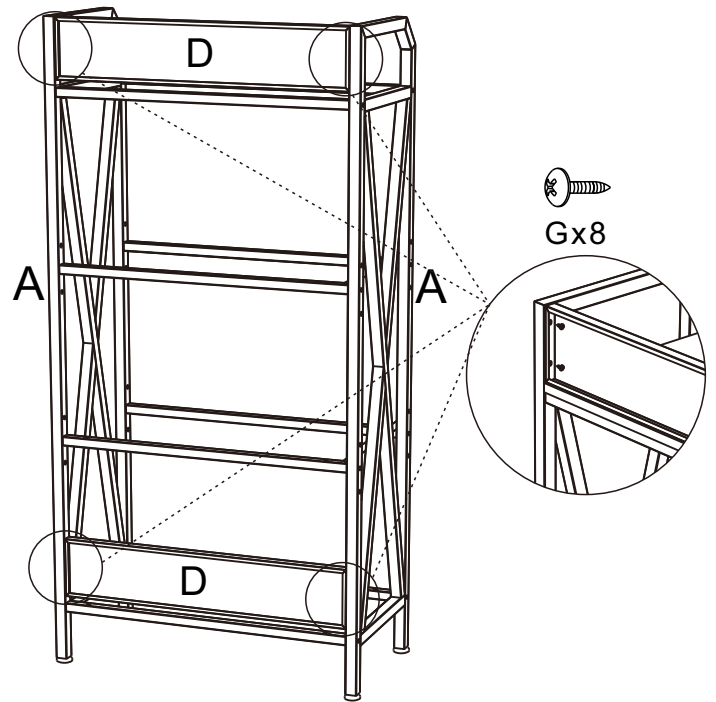
Step 1 A  x2 B  x8 E  x16



Connecting the crossbar to the side panels.  
Install the adjustment foot.



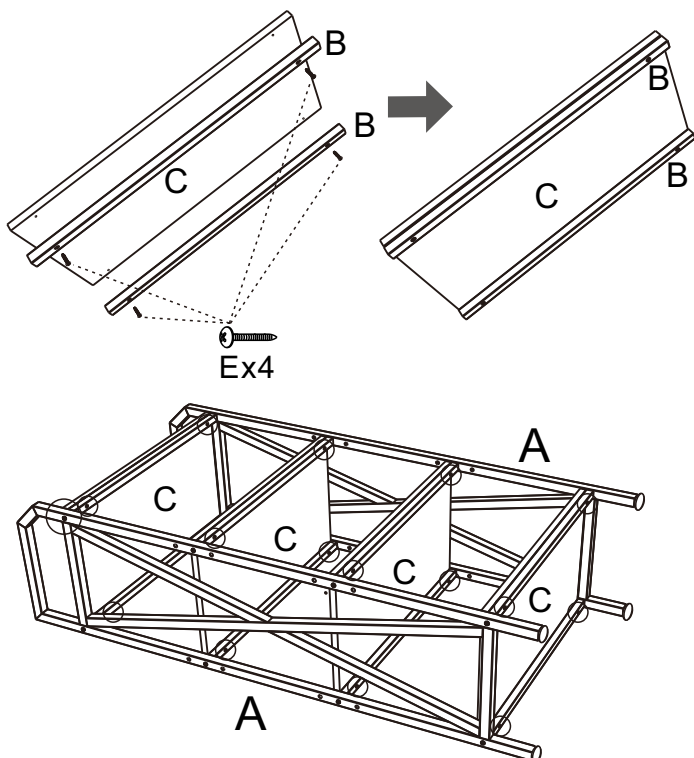
Step 2 D  x2 G  x8

Connecting the back panels to the side panels.



Step 3 C  x4 F  x16

Attach the wooden shelf to the crossbar with screws.  
If the screw holes do not align, you can loosen the  
crossbar screws slightly from side panels. Once the  
wooden shelf is securely fixed, then tighten all screws.



Step 4 Congratulations! You made it!

