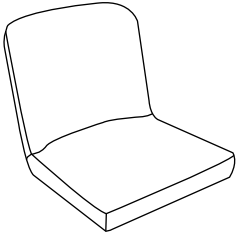
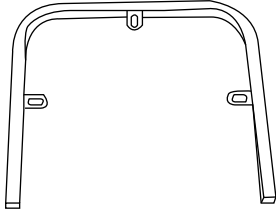
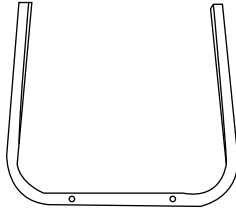
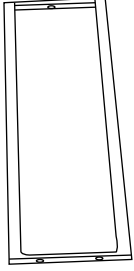
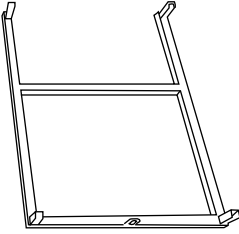

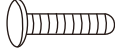
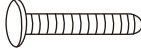

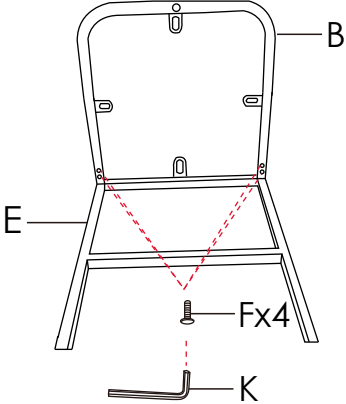
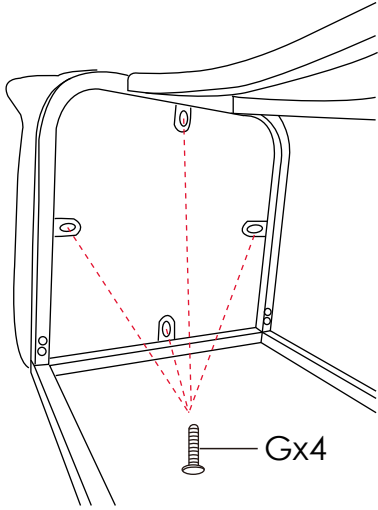
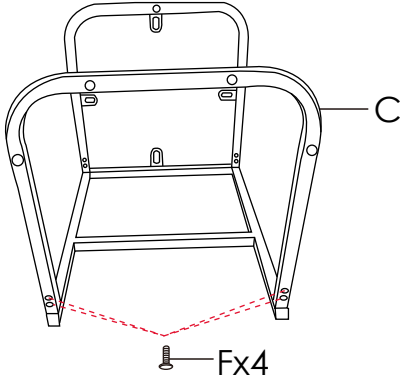
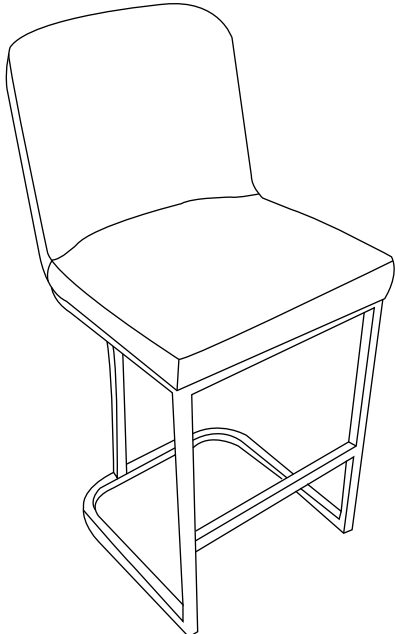
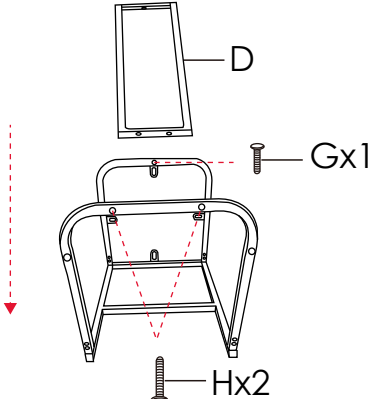


# ASSEMBLY INSTRUCTION

Ax1 	Bx1 	Cx1 	Dx1 	
Ex1 	Fx8  M6x14mm	Gx5  M6x20mm	Hx2  M6x30mm	Kx1 

<p>①</p>  <p>B</p> <p>E</p> <p>Fx4</p> <p>K</p>	<p>④</p>  <p>Gx4</p> <p>Tips: first tighten the screws 60% and finally tighten them all</p>
<p>②</p>  <p>C</p> <p>Fx4</p>	<p>⑤</p> 
<p>③</p>  <p>D</p> <p>Gx1</p> <p>Hx2</p>	