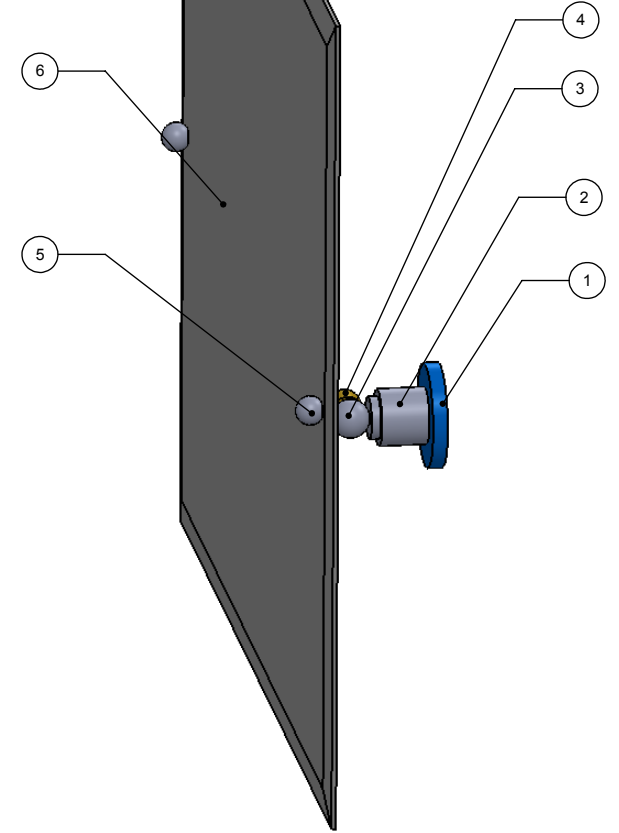
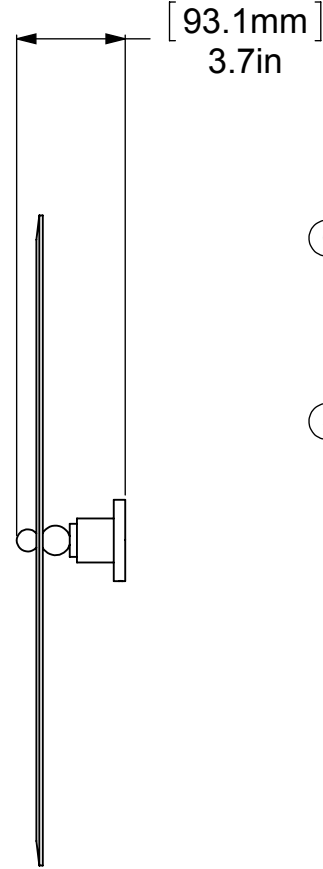
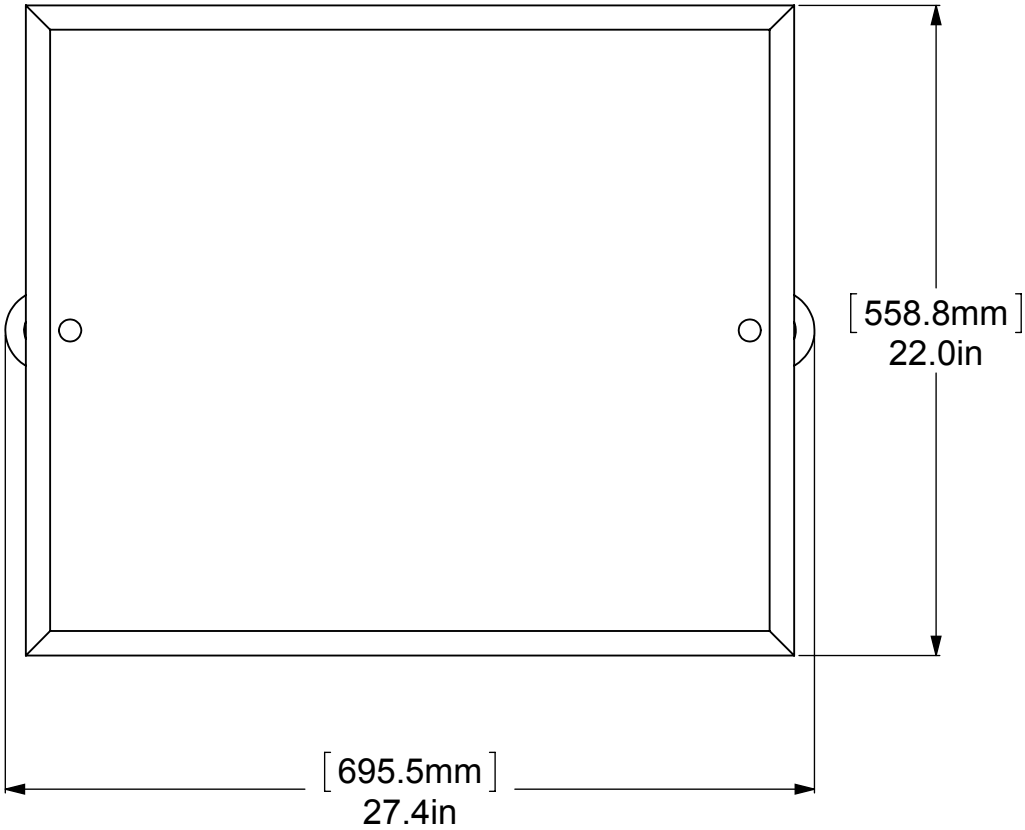
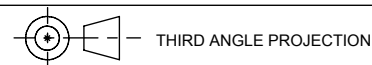


1		BACKPLATE	2
2		SUPPORT	2
3		BALL SUPPORT	2
4		TILT	2
5		BALL	2
6		MIRROR	1



UNLESS OTHERWISE STATED	
.X	±.3mm
.XX	±.15mm
.XXX	±.008mm



DRAWN		I.M	MATERIAL: BRASS	FINISH	TBD
CHECKED		P.D	DESCRIPTION: MIRROR	QUANTITY	TBD
APPROVED		R.A		DRAWING No.	REV
			SCALE	1:6.5	SHEET: 01
					A4