

Features

- Single-speed whirlpool offers performance and value, with 6 fully adjustable jets.
- Hydromassage flow and direction can be controlled at each jet.
- Generous 6-foot oval shape provides an incredibly spacious bathing area.
- Molded lumbar support and armrests offer extra comfort while bathing.
- End drain.
- Smooth backside for easy handling and mounting of drain and overflow.
- 72 " (1829 mm) x 42 " (1067 mm) x 20 " (508 mm)

Material

- ExoCrylic™

Installation

- Drop-in or under-mount.



Codes/Standards

ASME A112.19.7/CSA B45.10
CSA B45.5/IAPMO Z124
UL 1795




KOHLER® One-Year Limited Warranty

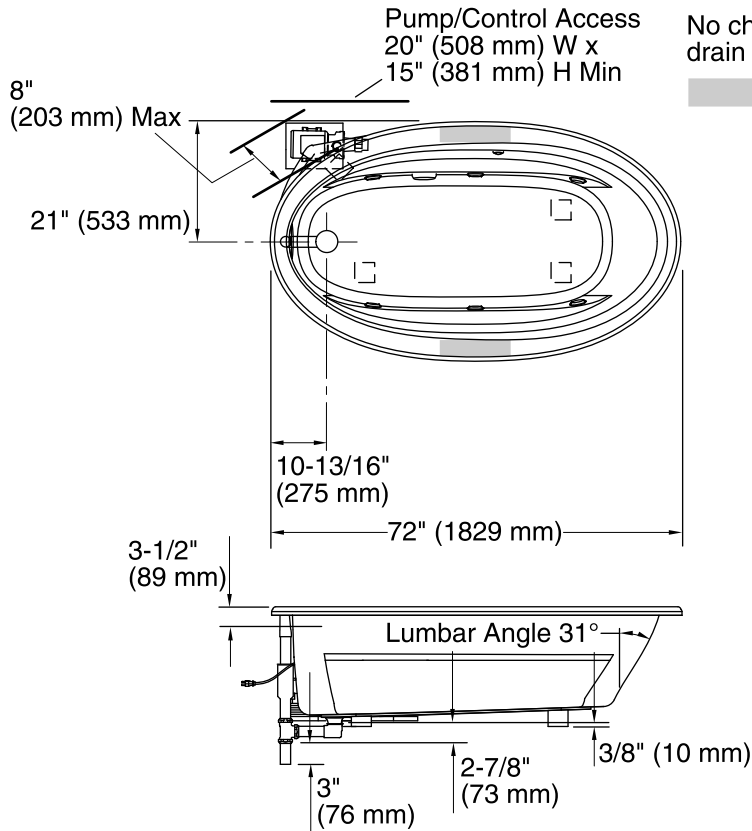
See website for detailed warranty information.

Available Color/Finishes

Color tiles intended for reference only.

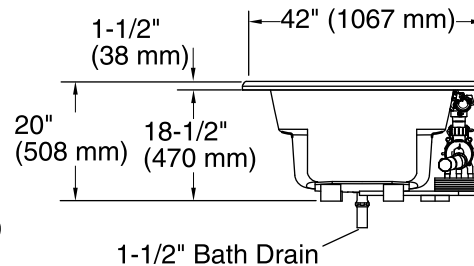
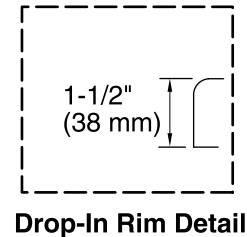
Color	Code	Description
-------	------	-------------

	0	White
	96	Biscuit
	47	Almond



No change in measurements if connected with drain illustrated. (K-11677)

Recommended faucet area



Required Electrical Service

One dedicated circuit required, protected with Class A Ground-Fault Circuit-Interrupter (GFCI) or Residual Current Device (RCD).

Pump: 120 V, 15 A, 60 Hz

Technical Information

All product dimensions are nominal.

Installation: Drop-in/Undermount
 Drain location: Reversible
 Basin area, bottom: 55-1/4" x 23-1/2" (1403 mm x 597 mm)
 Basin area, top: 64-1/2" x 32" (1638 mm x 813 mm)
 Weight: 112 lbs (50.8 kg)
 Minimum floor load: 36 lbs/ft² (175.8 kg/m²)
 Water depth: 15" (381 mm)
 Water capacity: 75 gal (283.9 L)
 Template: Drop-in, 1042557-7, not required, not included
 Under-mount kit: K-577
 Electrical rating: Pump: 120 V, 7.5 A, 60 Hz

Notes

Install this product according to the installation guide.

Pump must be relocated to custom position at the time of installation. Provide adequate clearance.

The pump extends 9" (229 mm) beyond the edge of rim. Modify the framing as needed.