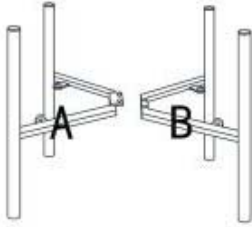


ASSEMBLY INSTRUCTIONS

A 1PC
B 1PC



C 1PC



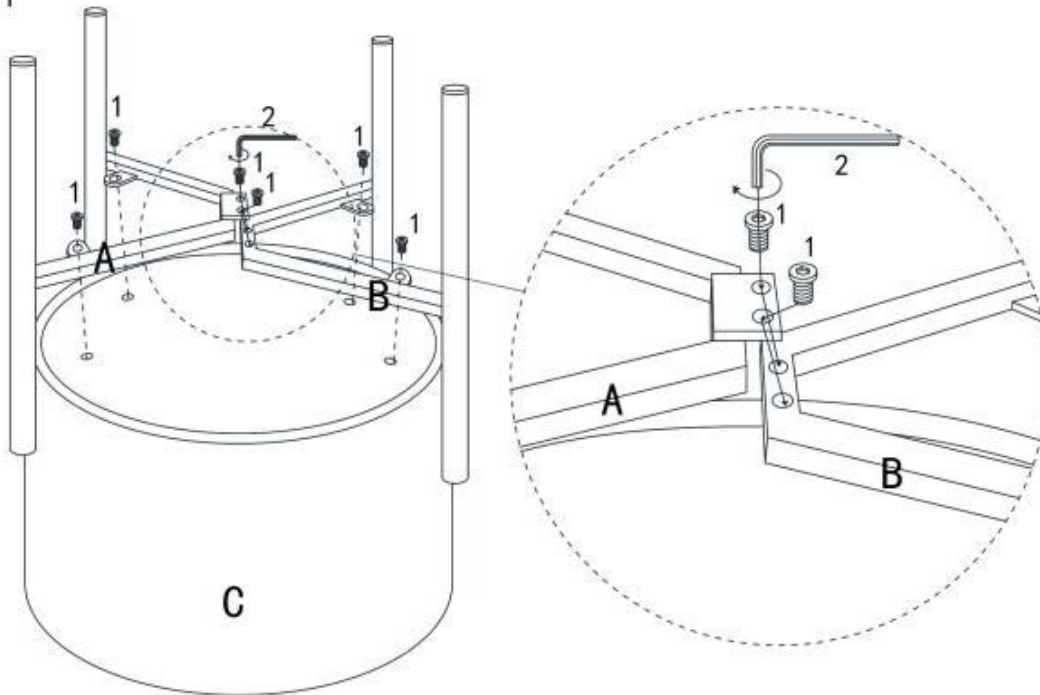
1 6PCS



2 1PC



STEP 1



STEP 2

