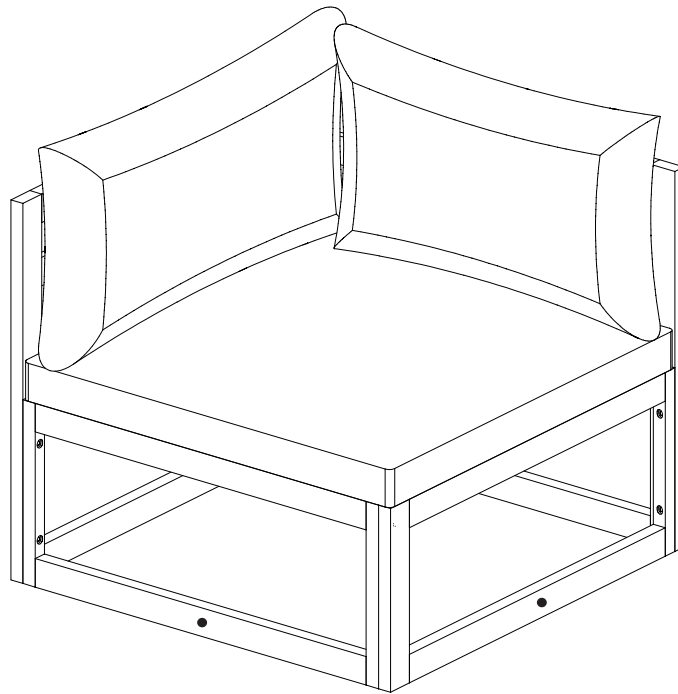


# Instruction Manual

## 70cm Modular Corner Seat



# CONTENTS

---

|                        |          |
|------------------------|----------|
| Safety and care advice | <b>1</b> |
| Components             | <b>2</b> |
| Assembly instructions  | <b>4</b> |
| Copyright              | <b>8</b> |

---

# ⚠ SAFETY AND CARE ADVICE ⚠

---

## PLEASE READ THESE INSTRUCTIONS CAREFULLY AND KEEP FOR FUTURE REFERENCE

- **Warning:** Please lift with care.
- Check you have all the components and tools listed on pages 2 and 3.
- Remove all fittings from the plastic bags and separate them into their groups.
- Keep children and animals away from the work area, small parts could choke if swallowed.
- Make sure you have enough space to lay out the parts before starting.
- Do not stand or put weight on the product, this could cause damage.
- Assemble the item as close to its final position (in the same room) as possible.
- Assemble on a soft level surface to avoid damaging the unit or your floor (use opened out unit carton).



- We do not recommend the use of power drill/drivers **for inserting screws**, as this could damage the unit. Only use hand screwdrivers.
- Dispose of all packaging carefully and responsibly.

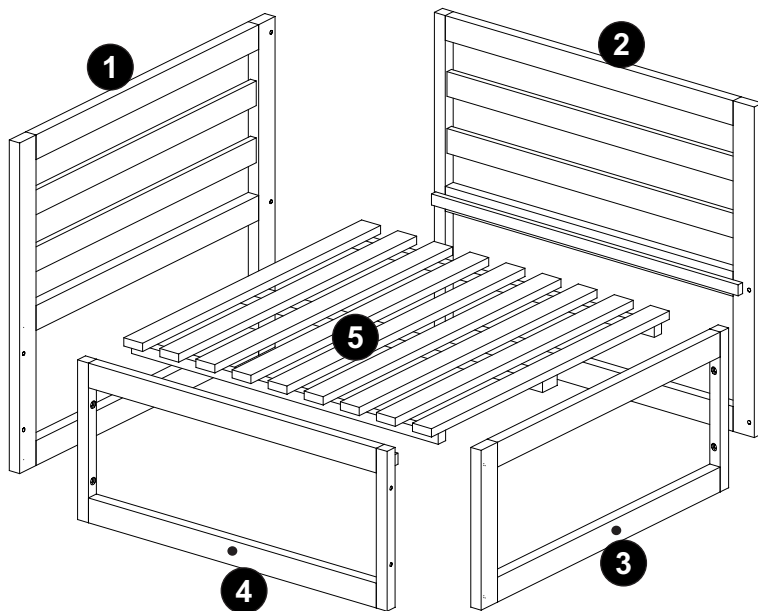
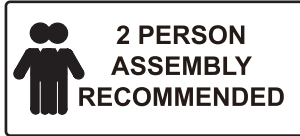
## CARE AND MAINTENANCE

---

- Only clean using a damp cloth and mild detergent, do not use bleach or abrasive cleaners.
  - From time to time check that there are no loose screws on this unit.
  - This product should not be discarded with household waste. Take to your local authority waste disposal center.
- Note** If required the next page can be cut out and used as reference throughout the assembly. Keep this page with these instructions for future reference.*

# COMPONENTS

Please check you have all the panels listed below:



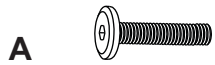
|                |     |                |     |
|----------------|-----|----------------|-----|
| 1. Backrest 1  | x 1 | 4. Leg frame 2 | x 1 |
| 2. Backrest 2  | x 1 | 5. Seat frame  | x 1 |
| 3. Leg frame 1 | x 1 |                |     |



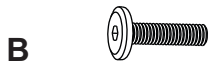
# COMPONENTS

---

Please check you have all the fittings listed below:



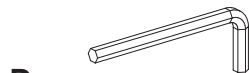
Bolt (Φ6x40mm) x 9



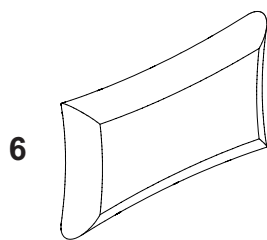
Bolt (Φ6x35mm) x 1



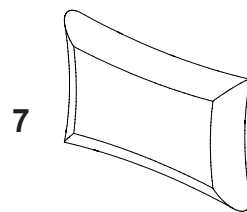
Nut (Φ6x13mm) x 1



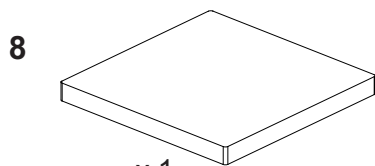
Allen key x 2



x 1



x 1





x 1

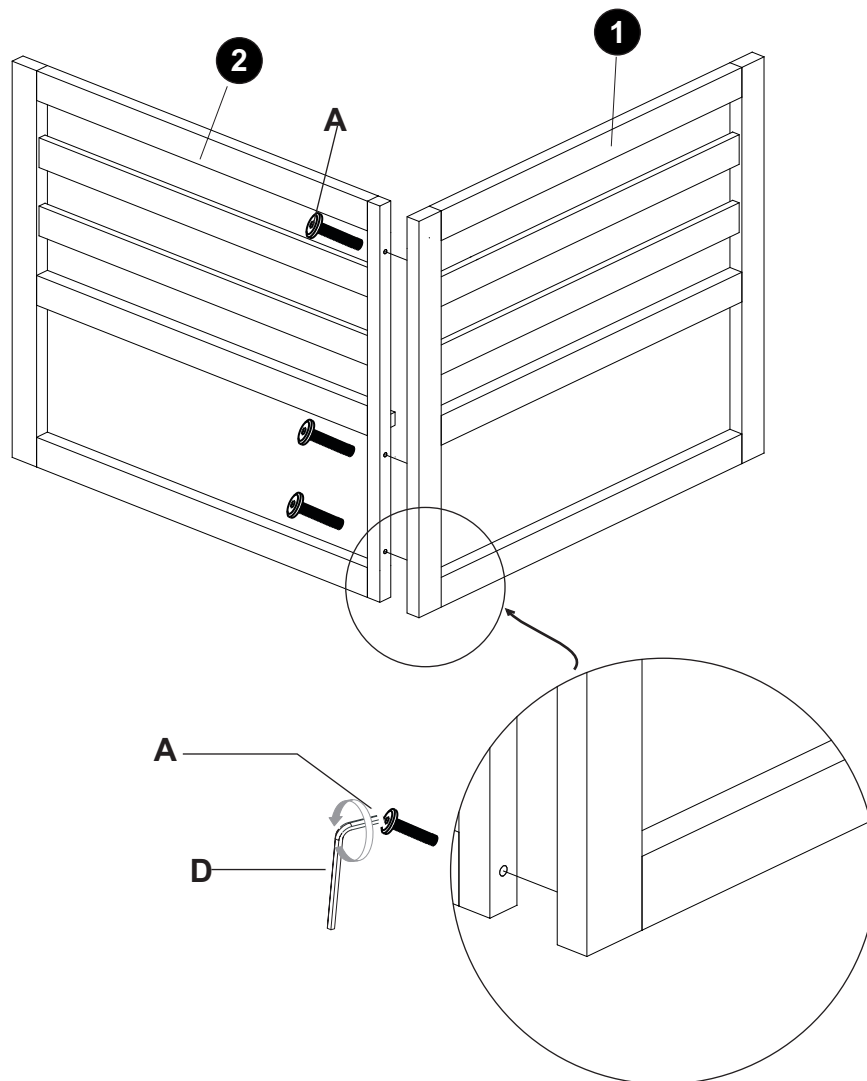


# ASSEMBLY INSTRUCTIONS

---

## Step 1



|   |   |   |  |
|---|---|---|--|
| A |  | 3 |  |
| D |  | 1 |  |

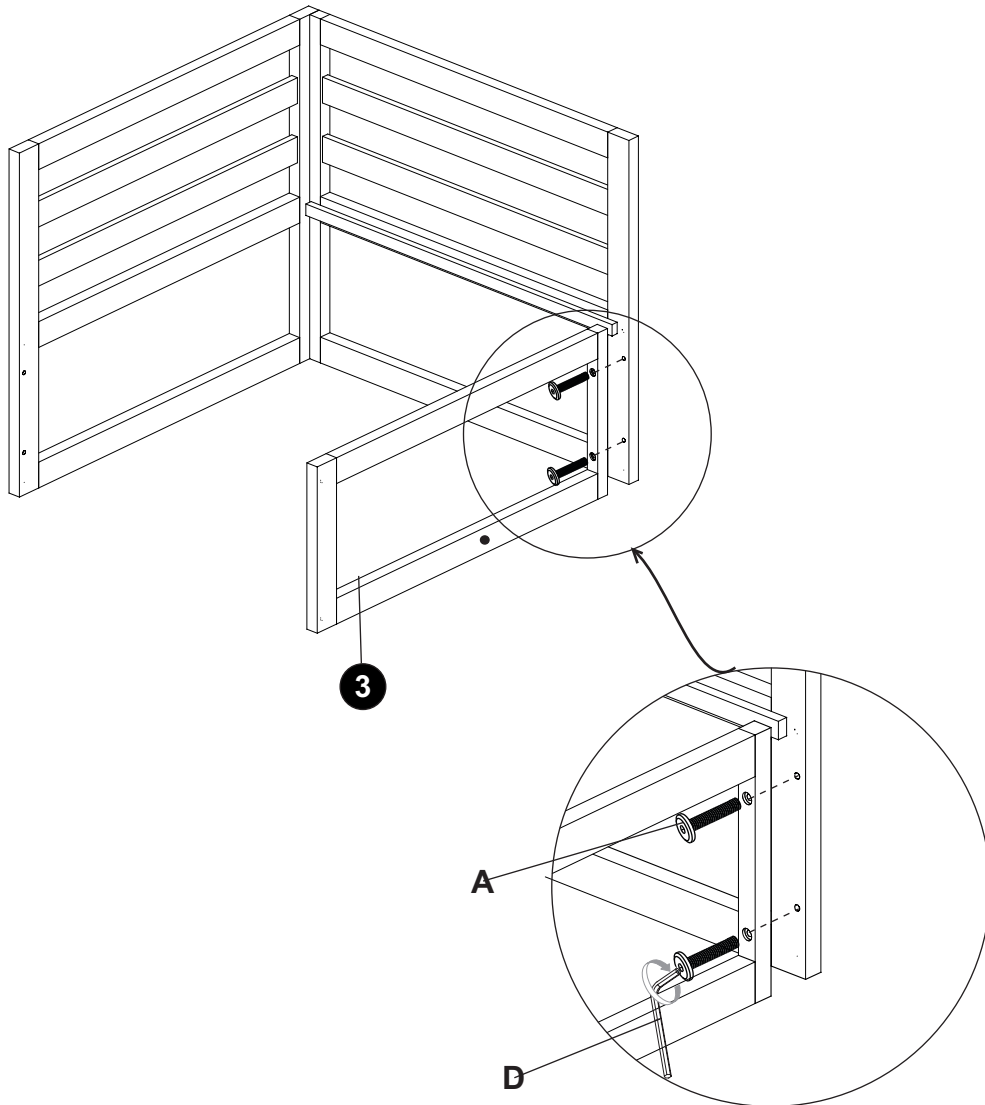


# ASSEMBLY INSTRUCTIONS

---

## Step 2



|   |   |   |  |
|---|---|---|--|
| A |  | 2 |  |
| D |  | 1 |  |

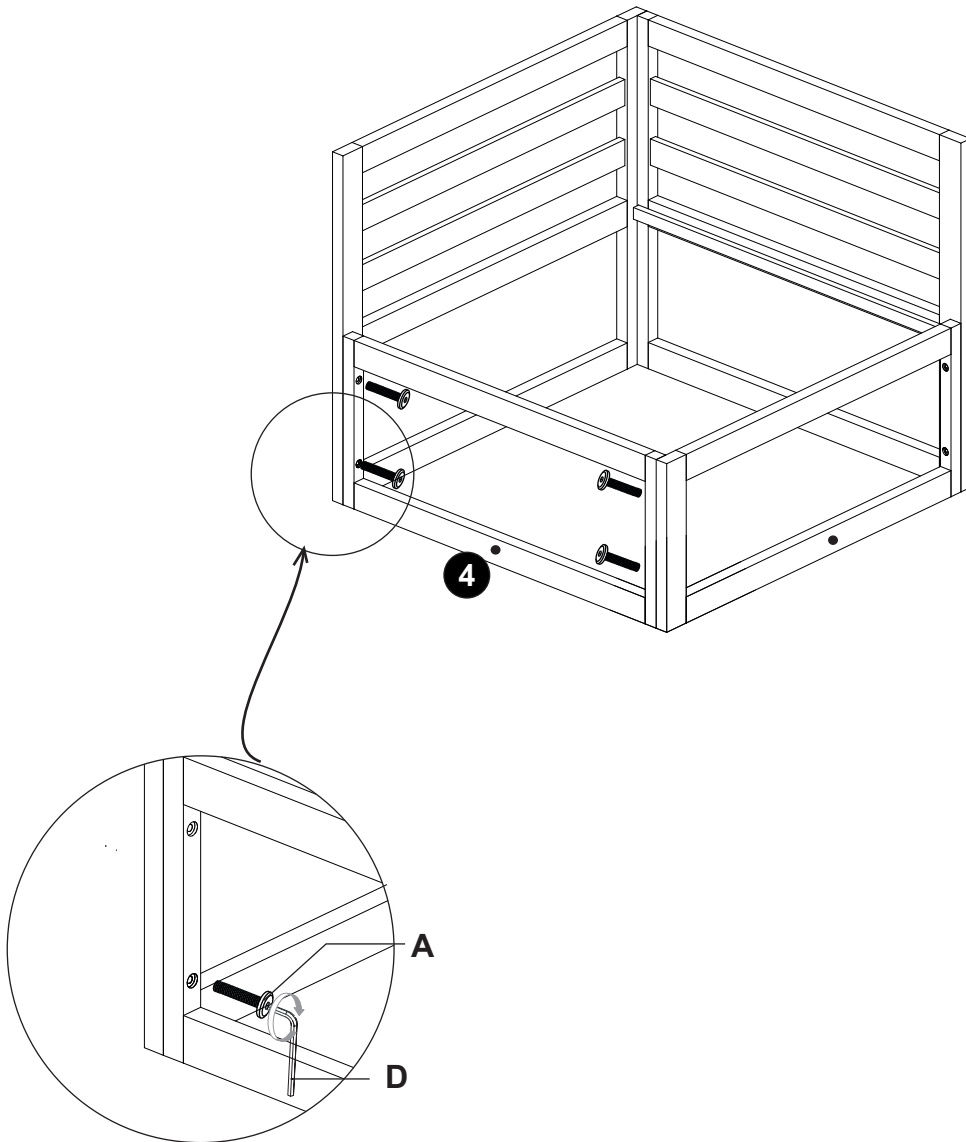


# ASSEMBLY INSTRUCTIONS

---

## Step 3

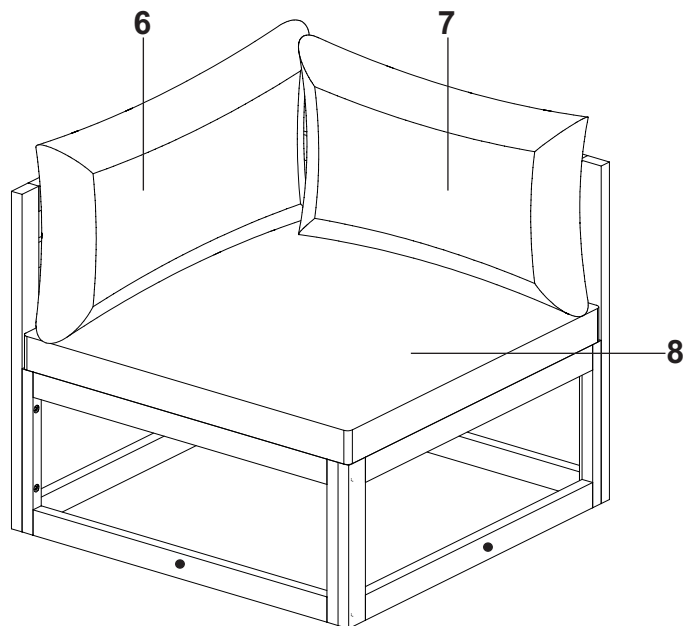
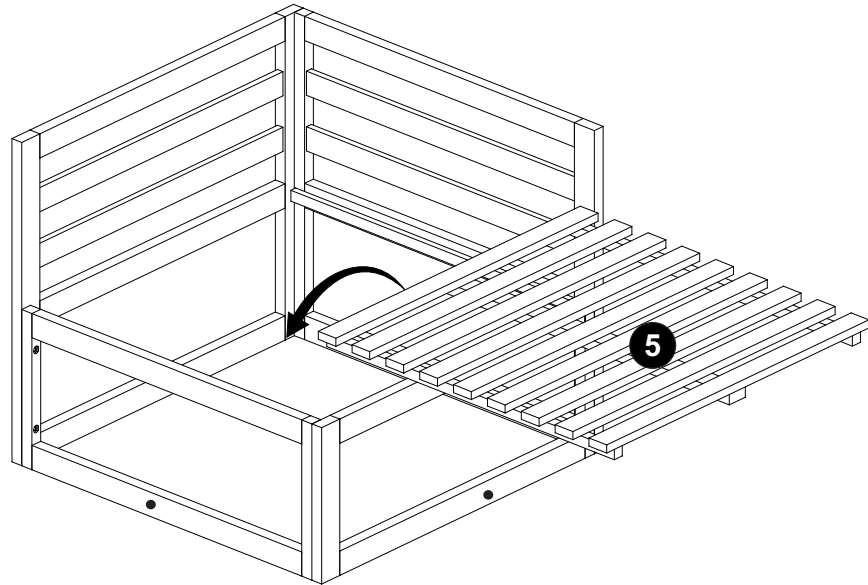
|   |   |   |  |
|---|---|---|--|
| A |  | 4 |  |
| D |  | 1 |  |



# ASSEMBLY INSTRUCTIONS

---

## Step 4

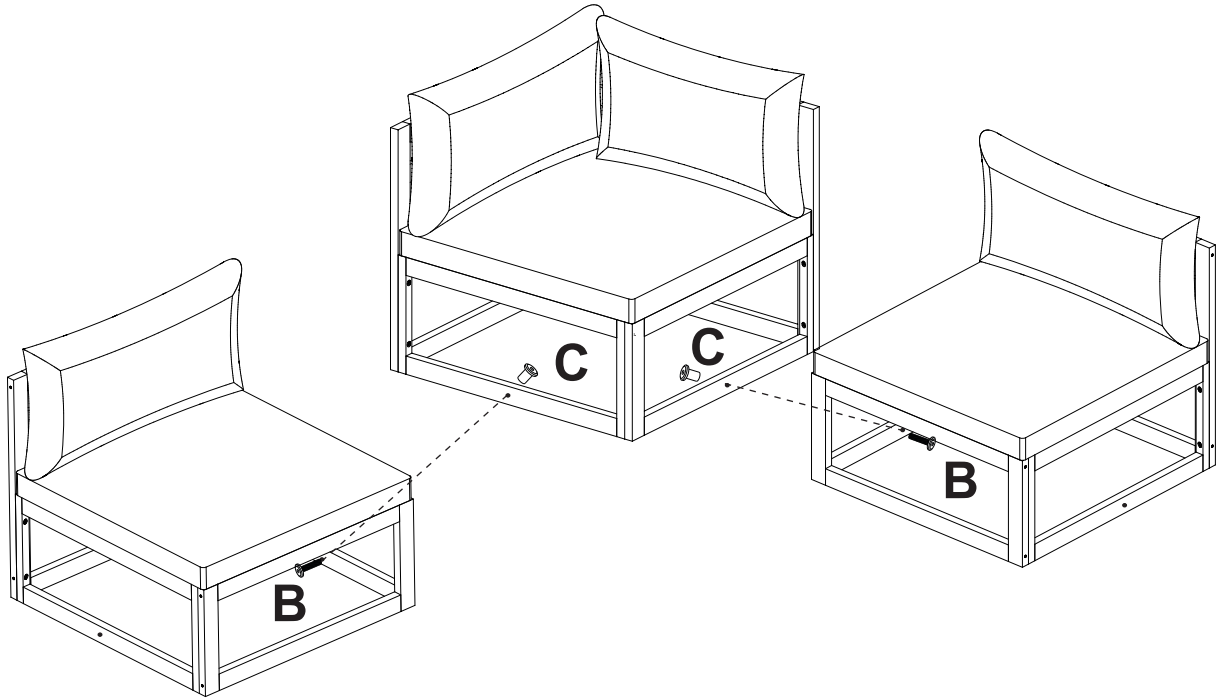


Congratulations! Now you have finished assembling the product.

# ASSEMBLY INSTRUCTIONS

---

## Step 5



## **IF YOU FIND A DEFECTIVE PART**

---

We fully stock all parts and components. Any defective part can be quickly replaced. Take note of the defective part number in manual and we will arrange a quick replacement.

You can email our team

## **COPYRIGHT**

---

All material in this instruction manual is copyrighted

Any unauthorised use may violate worldwide copyright, trademark and other laws.