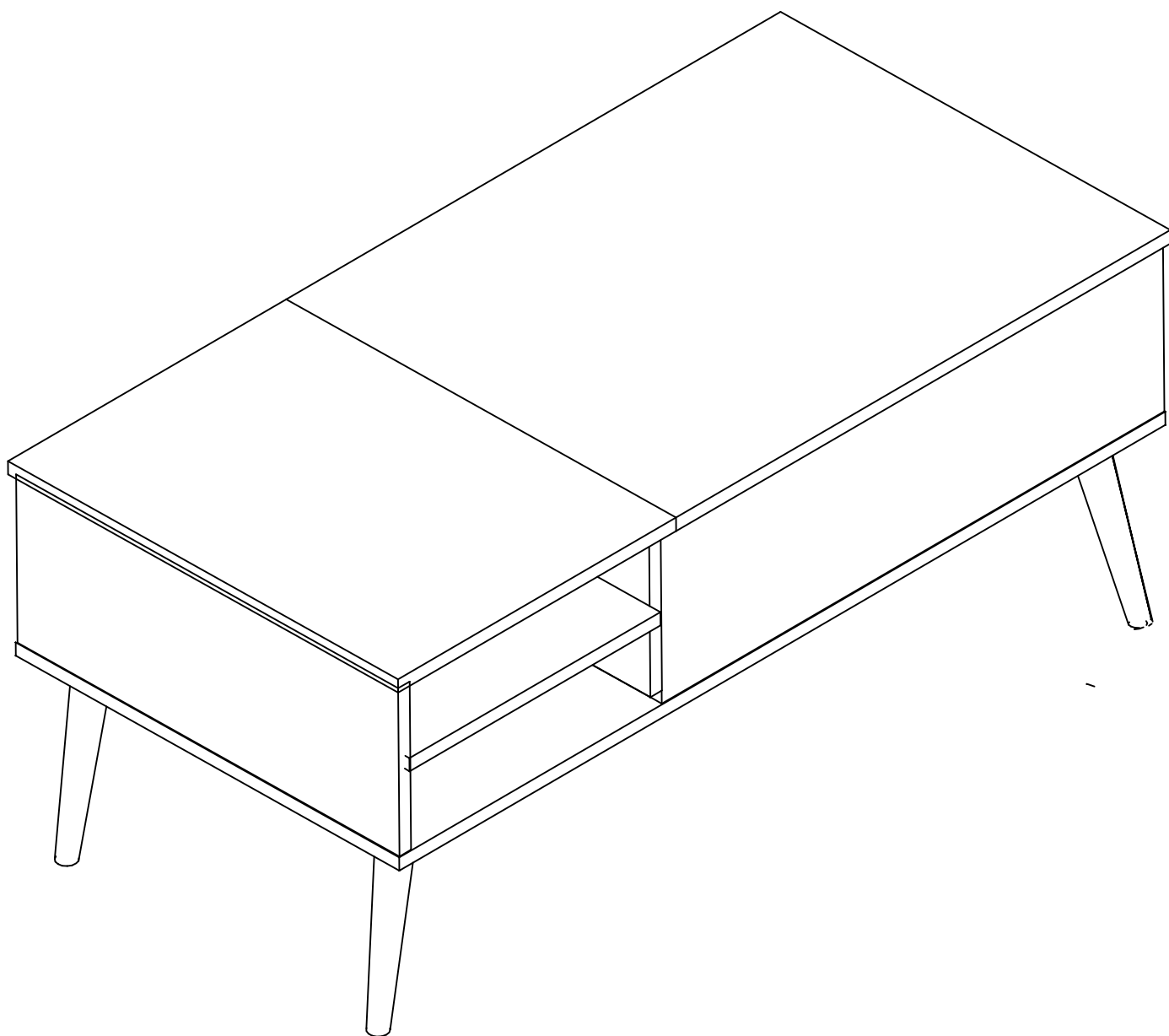


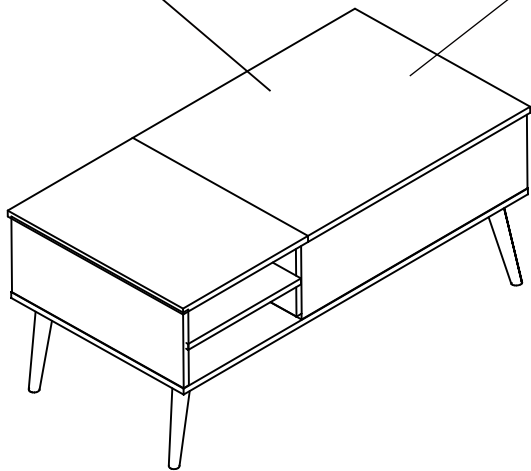
ASSEMBLY INSTRUCTIONS



WARNING !

MAXIMUM LOAD
110lb / 50kg

Add up to 44lb/20kg



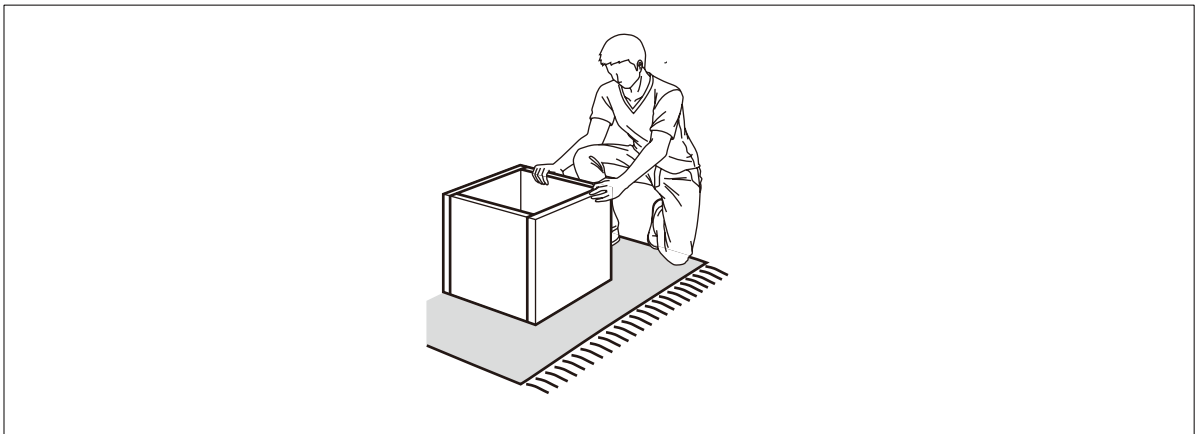
Estimated Time for Assembly

60 mins

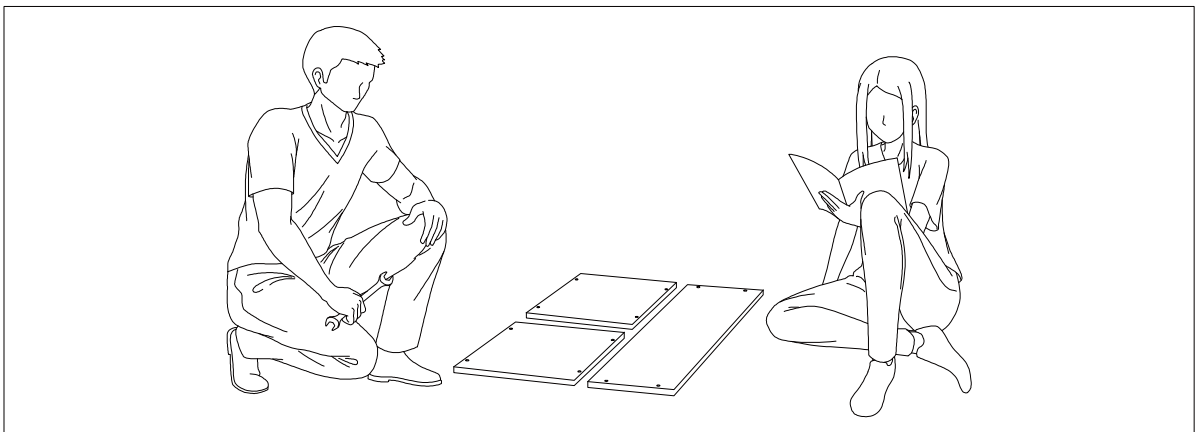


Weight Limitation

44 lb Shelf **110lb** oTp



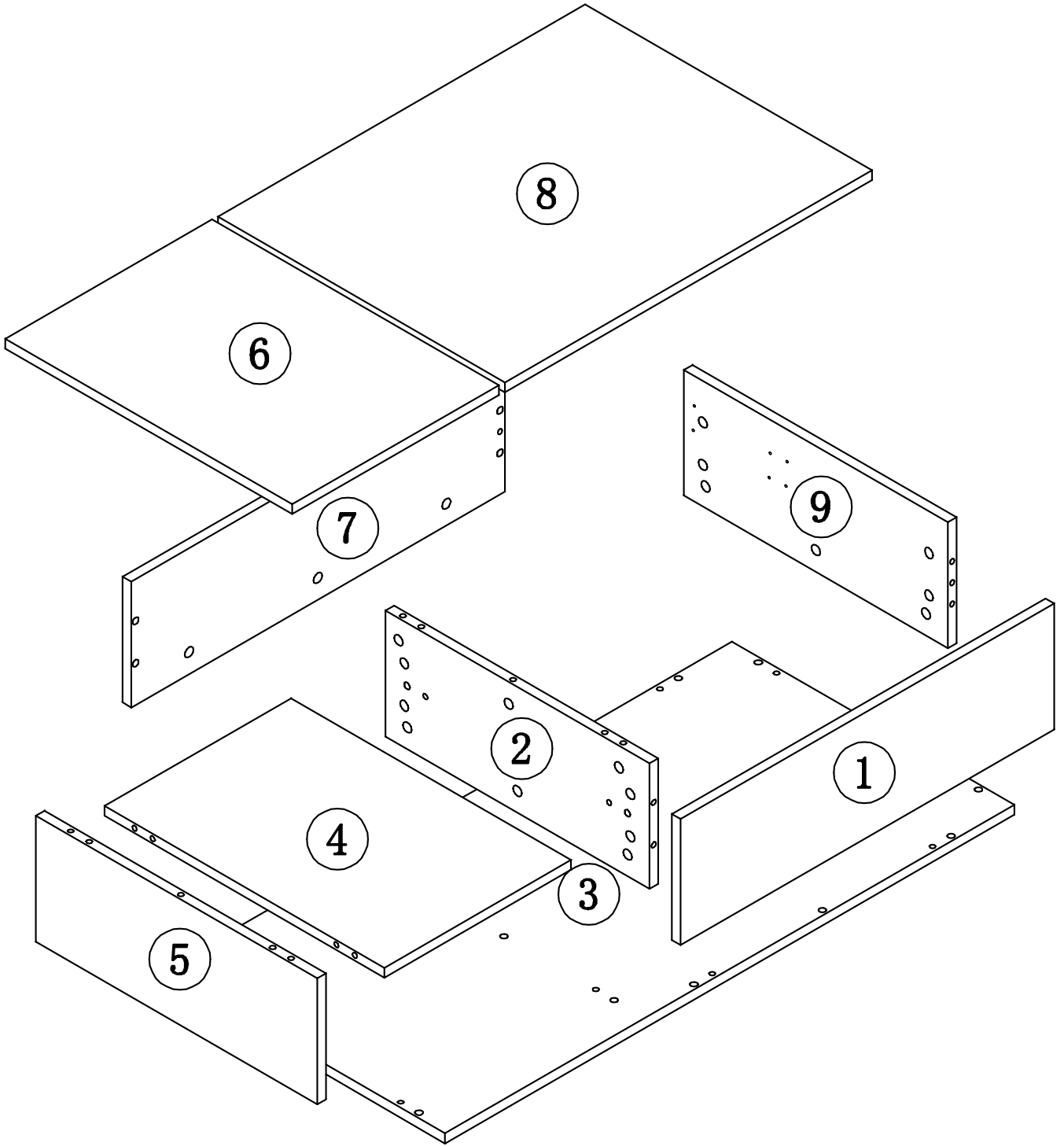
Assembling the furniture on empty carton, carpet, or rug to prevent scratches or damage.

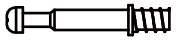





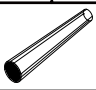



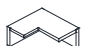


This furniture requires 2 people to assembly.

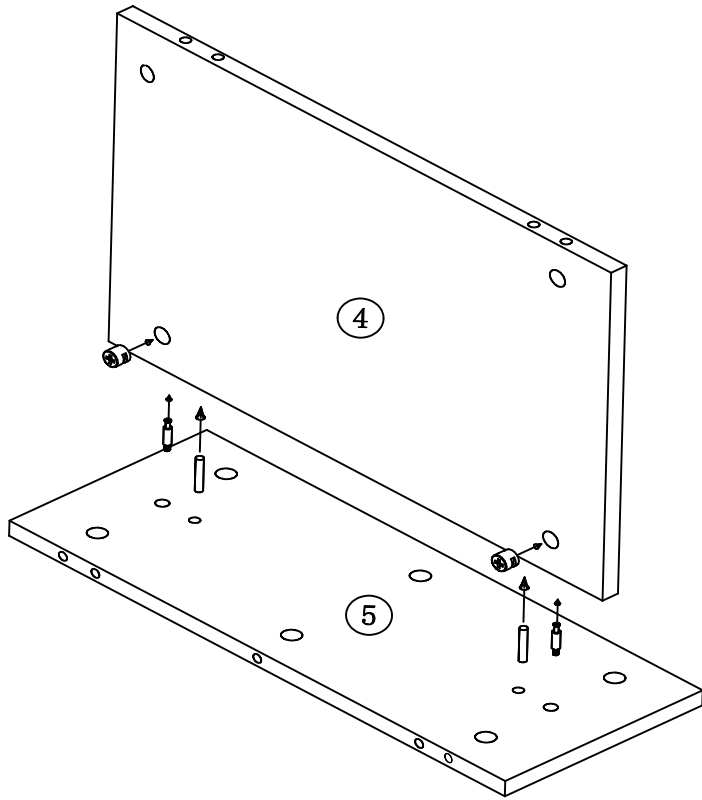
Make sure no parts missing or damaged before assembly

PACKAGE CONTENT

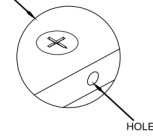


A	X 33+2	B	X 33+2	C	X 20+2	D	X 28+2	E	X4	F	X4
											
φ 6X35		φ 15X12		φ 8X40		φ 3.5x14				φ 3.5x16	
G	X4	L	X1	R	X1	H	X1	K	X4		
											

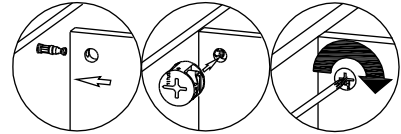
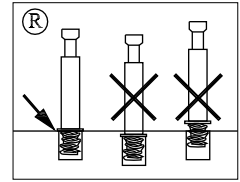
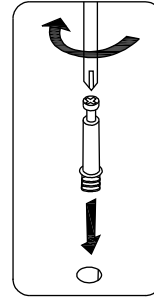
STEP 1

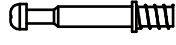




Push a CAM LOCK into the part
The arrow in the CAM LOCK
must point toward the hole on the
edge of the board

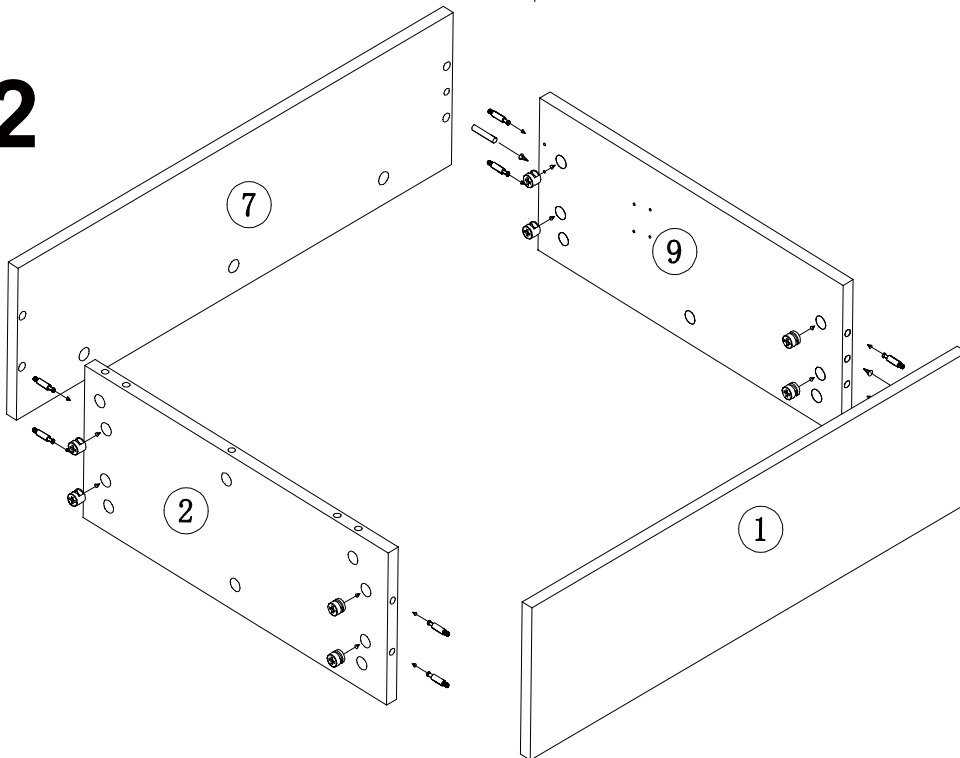


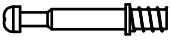


ARROW



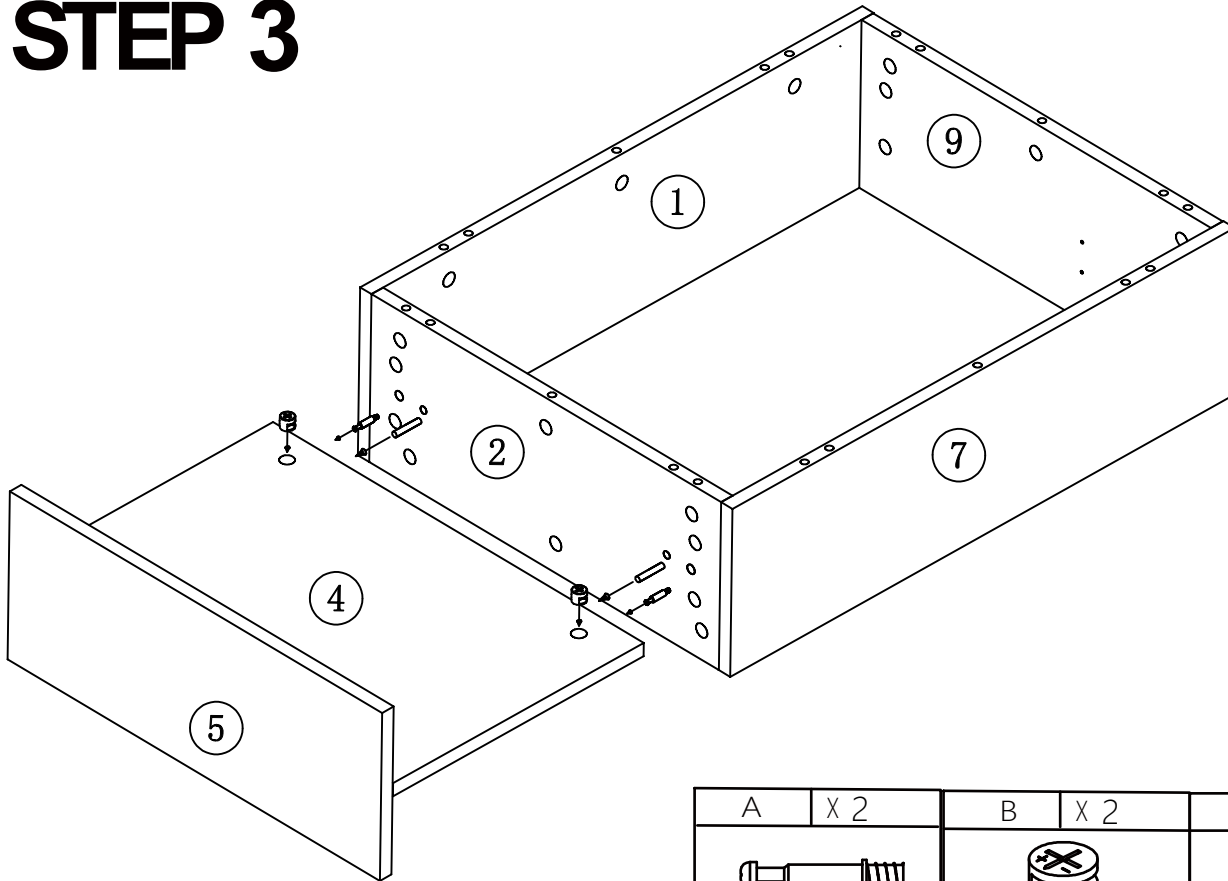
A	X 2	B	X 2	C	X 2
					
φ 6X35		φ 15X12		φ 8X40	

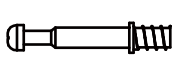


STEP 2



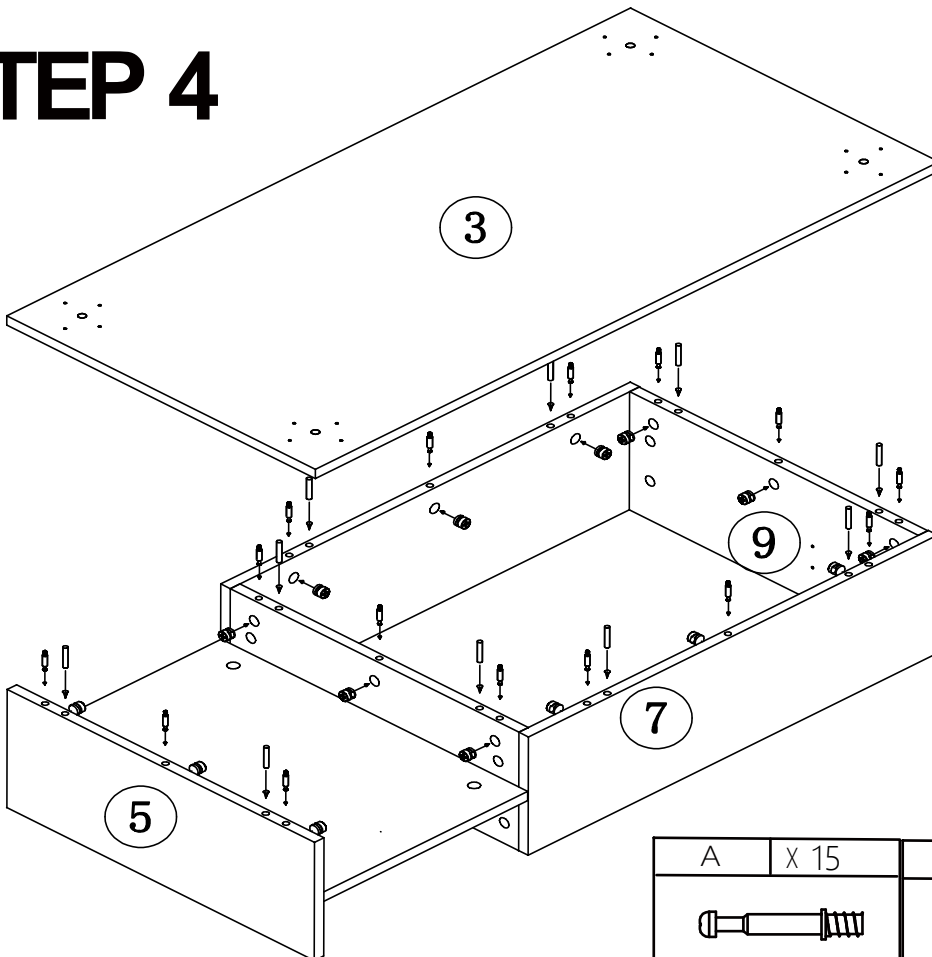
A	X 8	B	X 8	C	X 2
					
φ 6X35		φ 15X12		φ 8X40	

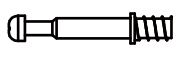


STEP 3



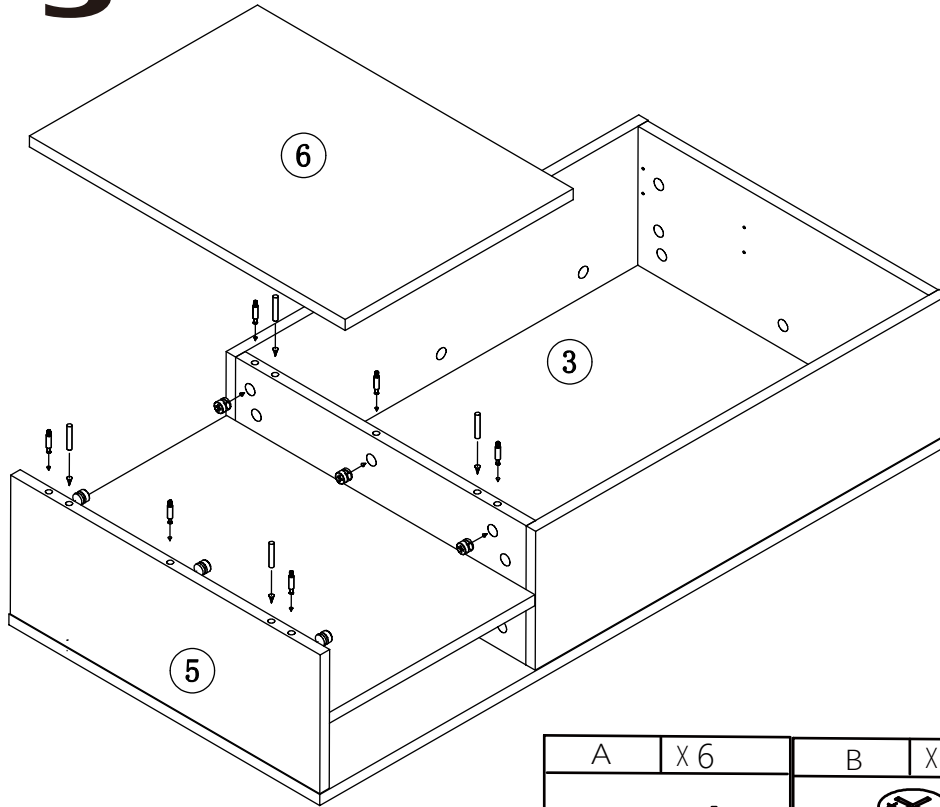
A	X 2	B	X 2	C	X 2
					
φ 6X35		φ 15X12		φ 8X40	

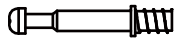


STEP 4



A	X 15	B	X 15	C	X 10
					
φ 6X35		φ 15X12		φ 8X40	

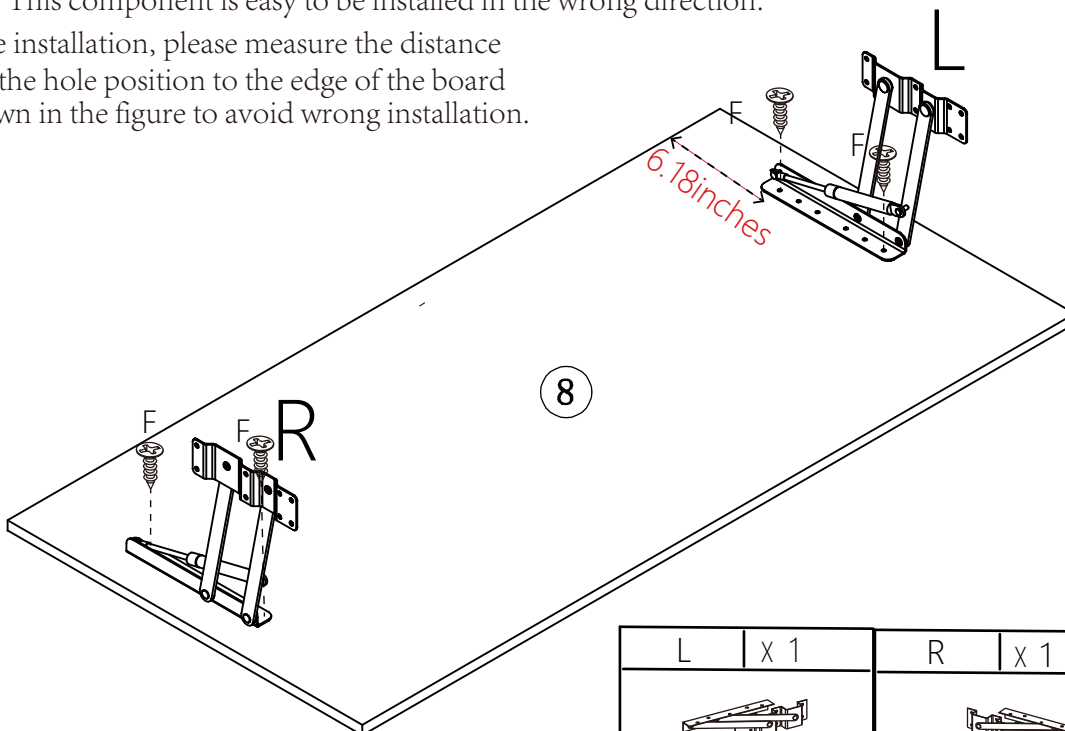
STEP 5






A	X6	B	X6	C	X4
					
φ 6X35		φ 15X12		φ 8X40	

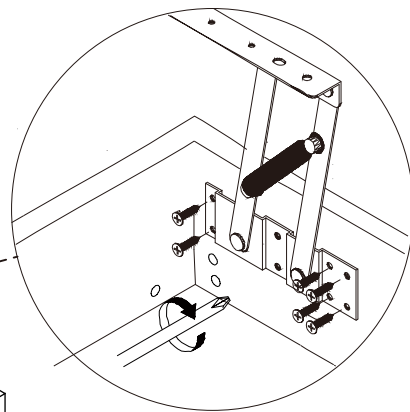
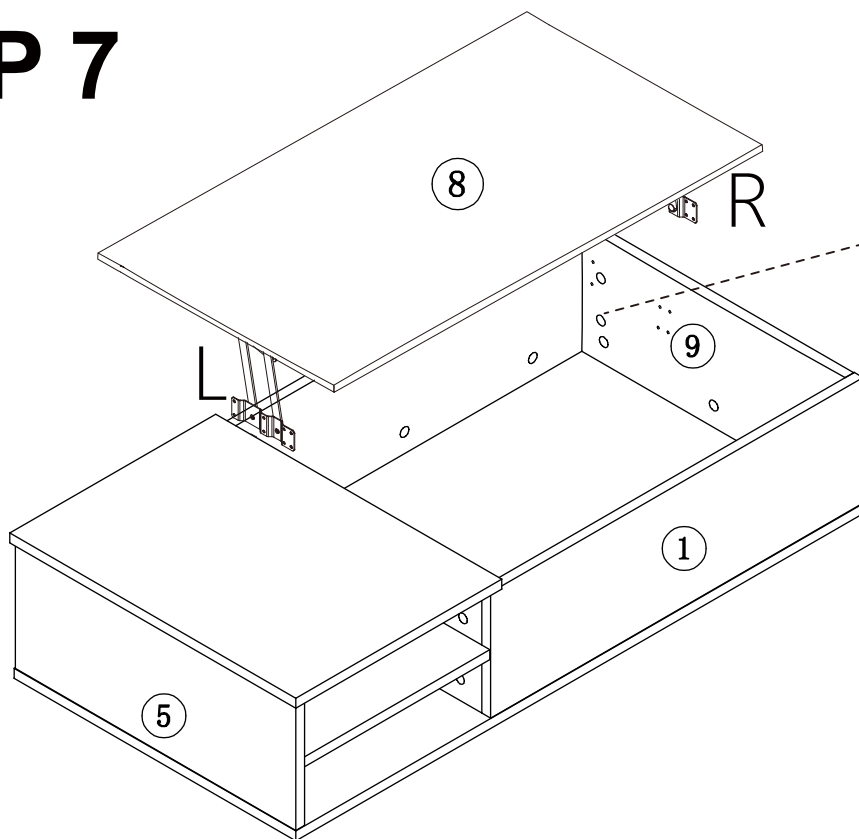
STEP 6


Note: This component is easy to be installed in the wrong direction.
Before installation, please measure the distance from the hole position to the edge of the board as shown in the figure to avoid wrong installation.



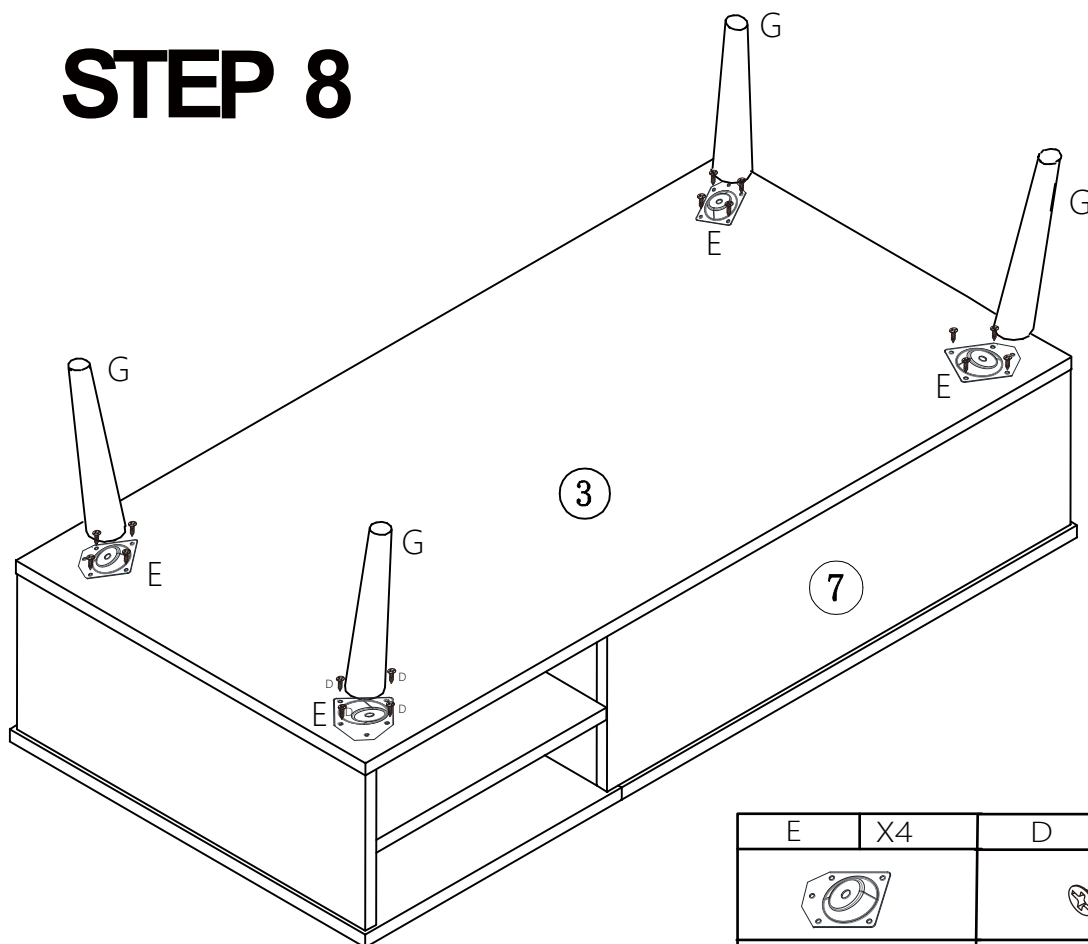
L	X1	R	X1	F	X4
					
				φ 3.5x16	

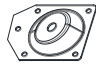

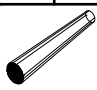
STEP 7



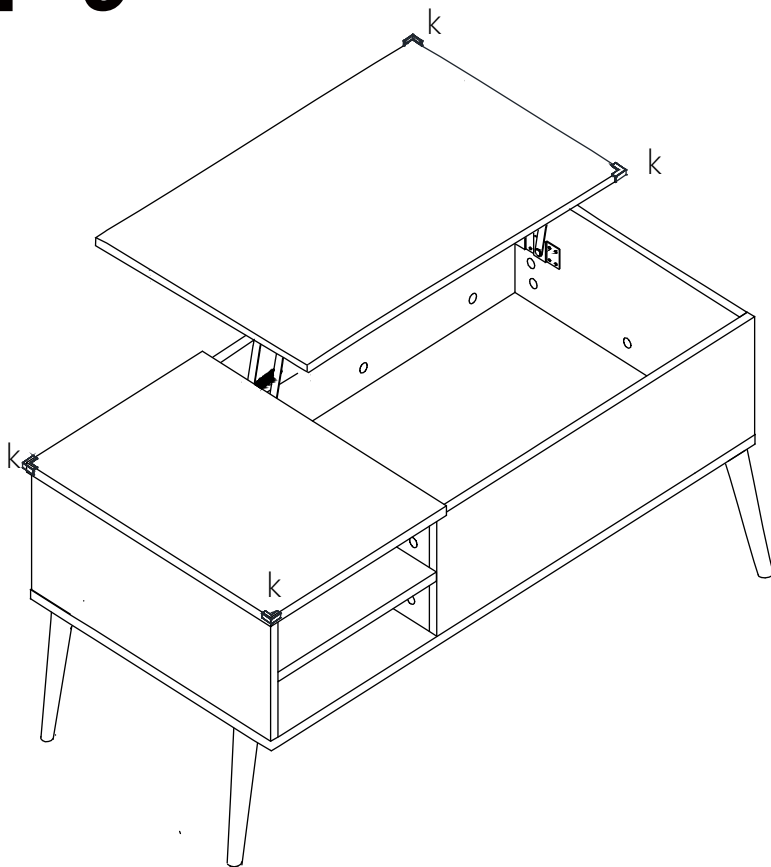
D	X 12
	
\varnothing 3.5x14	

STEP 8



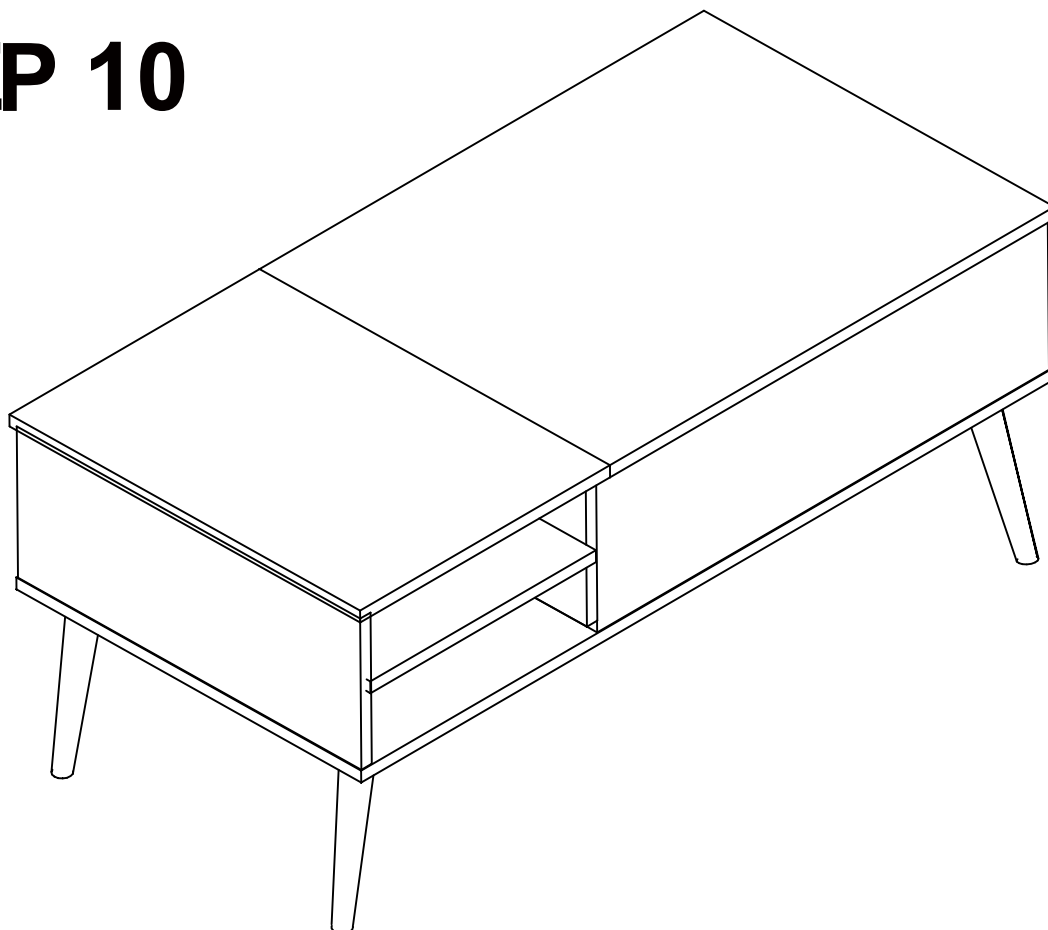
E	X 4	D	X 16	G	X 4
					
		\varnothing 3.5x14			

STEP 9



K	X4

STEP 10



FURNITURE CARE AND MAINTENANCE

Medium - Density Fiberboard

Thank you for your purchase. We want your item to last as long as possible. To ensure the product gives you years of service, please refer to this care and maintenance guide.



MAINTENANCE

- Tighten all bolts and screws again within the first 2 weeks of assembly
- Check the tightness of all bolts every 2 months, tighten them if necessary



CLEANING

- Clean the surface of the MDF (medium - density fiberboard) with a lightly dampened cloth.
- Small amount of mild soap can be used if necessary
- Dry the surface immediately after cleaning.

⚠ DO NOT use bleach or alcohol detergent to clean the surface.

⚠ DO NOT apply wood treatment on parts made with MDF.

Medium - density fiberboard will swell and distort when suffer from water damage. Make sure to dry the furniture immediately after cleaning