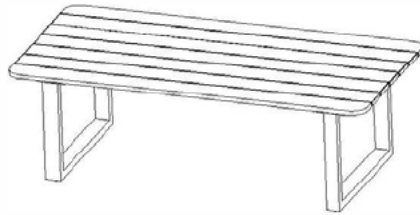
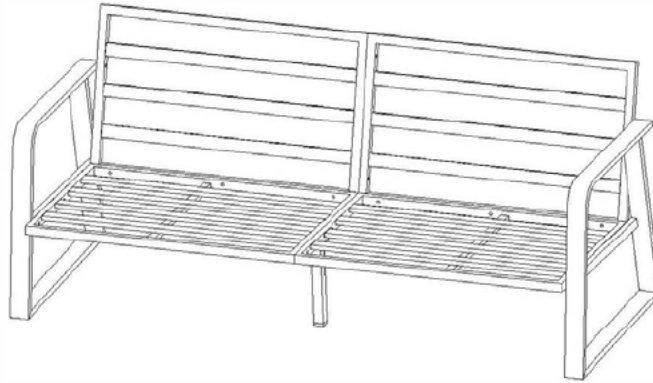


ASSEMBLY GUIDE

COFFEE TABLE & SOFA ASSEMBLY GUIDE



NOTICE



Please Read Carefully Before Installation

After-Sales Service Guidelines

Dear customer, thank you very much for your support!

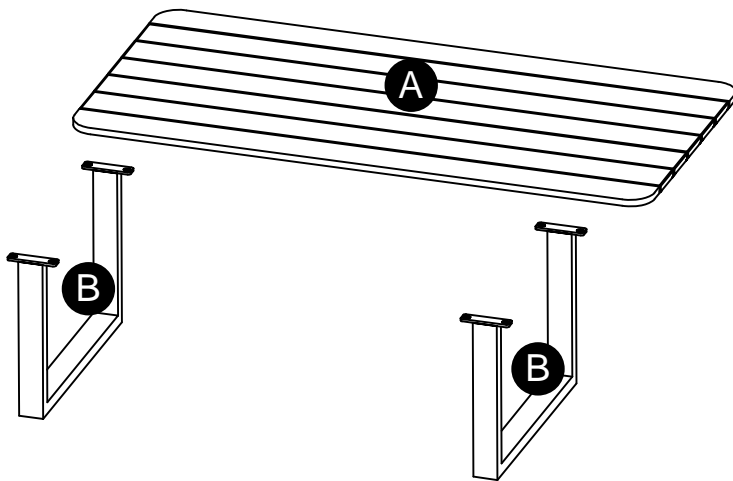


PLEASE DO NOT RETURN TO THE STORE!

If a part is lost or damaged, we will ship a replacement part free of charge, please leave your order number or order information.

PARTS LIST

(Coffee Table & Sofa)



A Table Top x1

B Table Leg x2

C1 Right Sofa Arm x1
(when seated)

C2 Left Sofa Arm x1
(when seated)

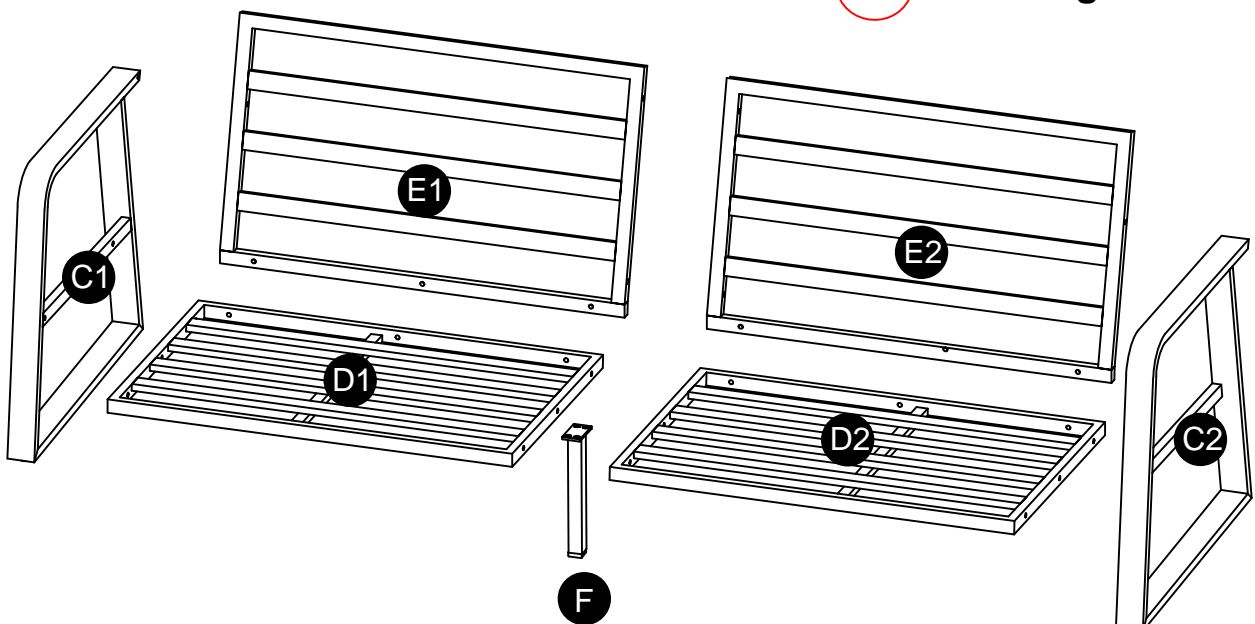
D1 Right Seat Panel x1
(when seated)

D2 Left Seat Panel x1
(when seated)

E1 Right Sofa Back x1
(when seated)

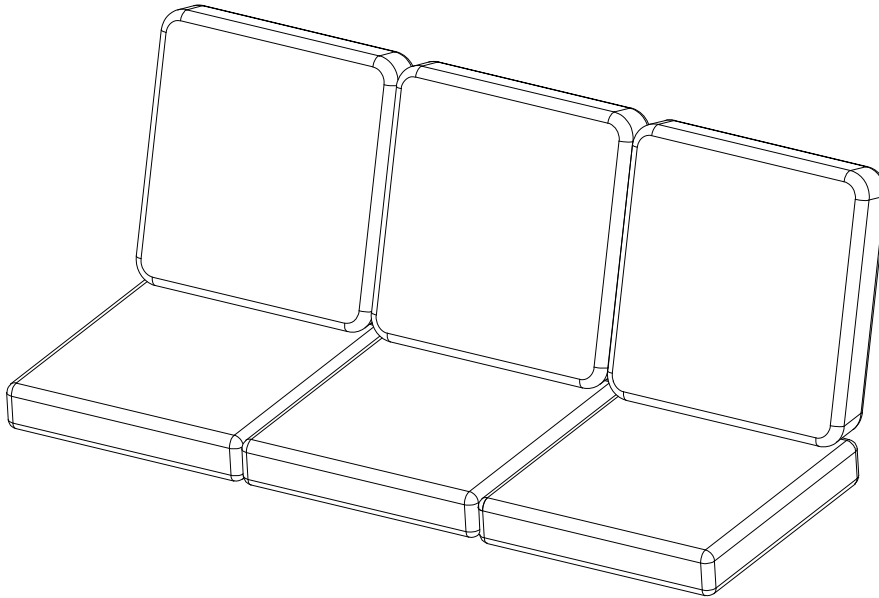
E2 Left Sofa Back x1
(when seated)

F Sofa Leg x1



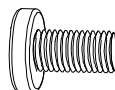
PARTS LIST

(Coffee Table & Sofa)



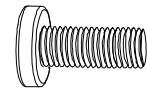
G

Screw (M6x12mm)



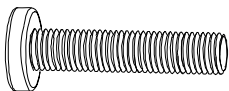
H

Screw (M6x15mm)



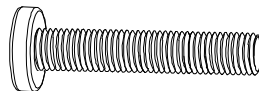
I

Screw (M6x20mm)



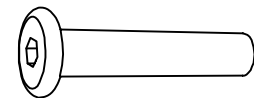
J

Screw (M6x35mm)



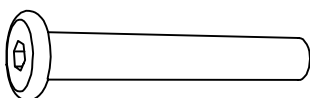
K

Screw (M6x45mm)



L

Screw (M6x8x39mm)



M

Screw (M6x8x59mm)



N

Metal Washers



O

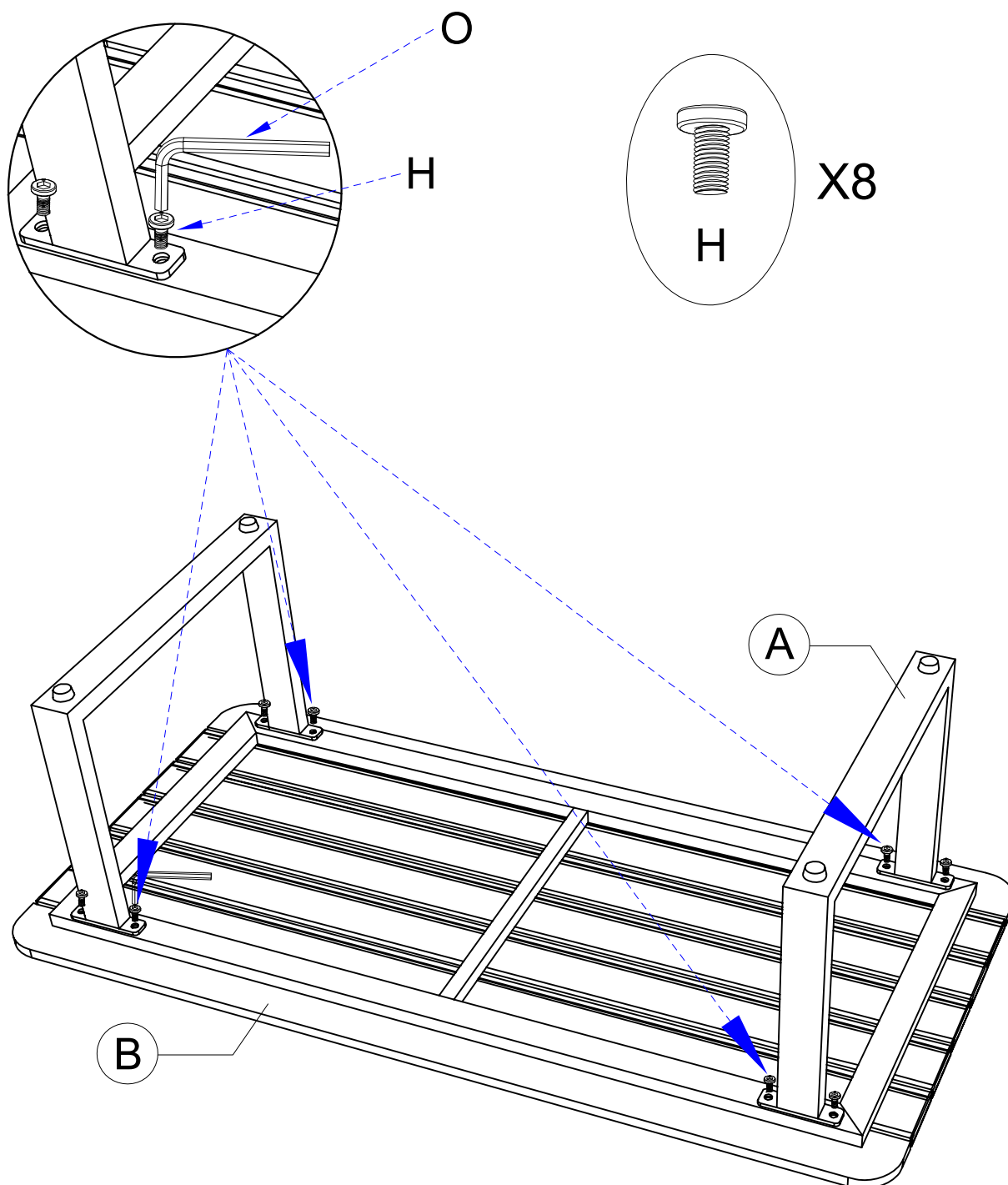
Allan Wrench x2

Coffee Table Assembly Instruction



Do not fully tighten the screws during initial assembly.
Fully tighten screws only once all pieces which are correctly assembled.

STEP 1



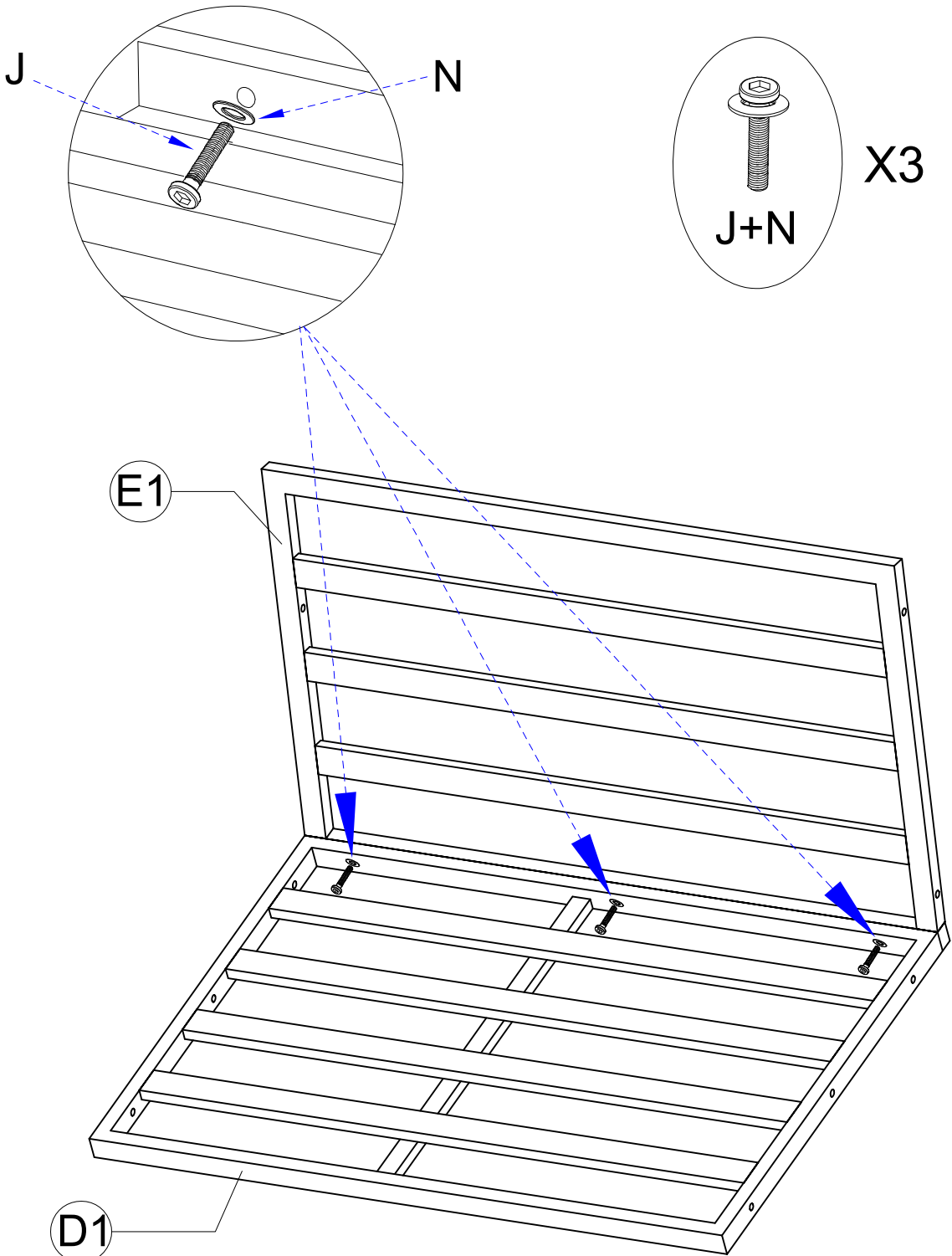
Fully tighten all the screws !
The coffee sofa is completed !

Sofa Assembly Instruction



Do not fully tighten the screws during initial assembly.
Fully tighten screws only once all pieces which are correctly assembled.

STEP 2

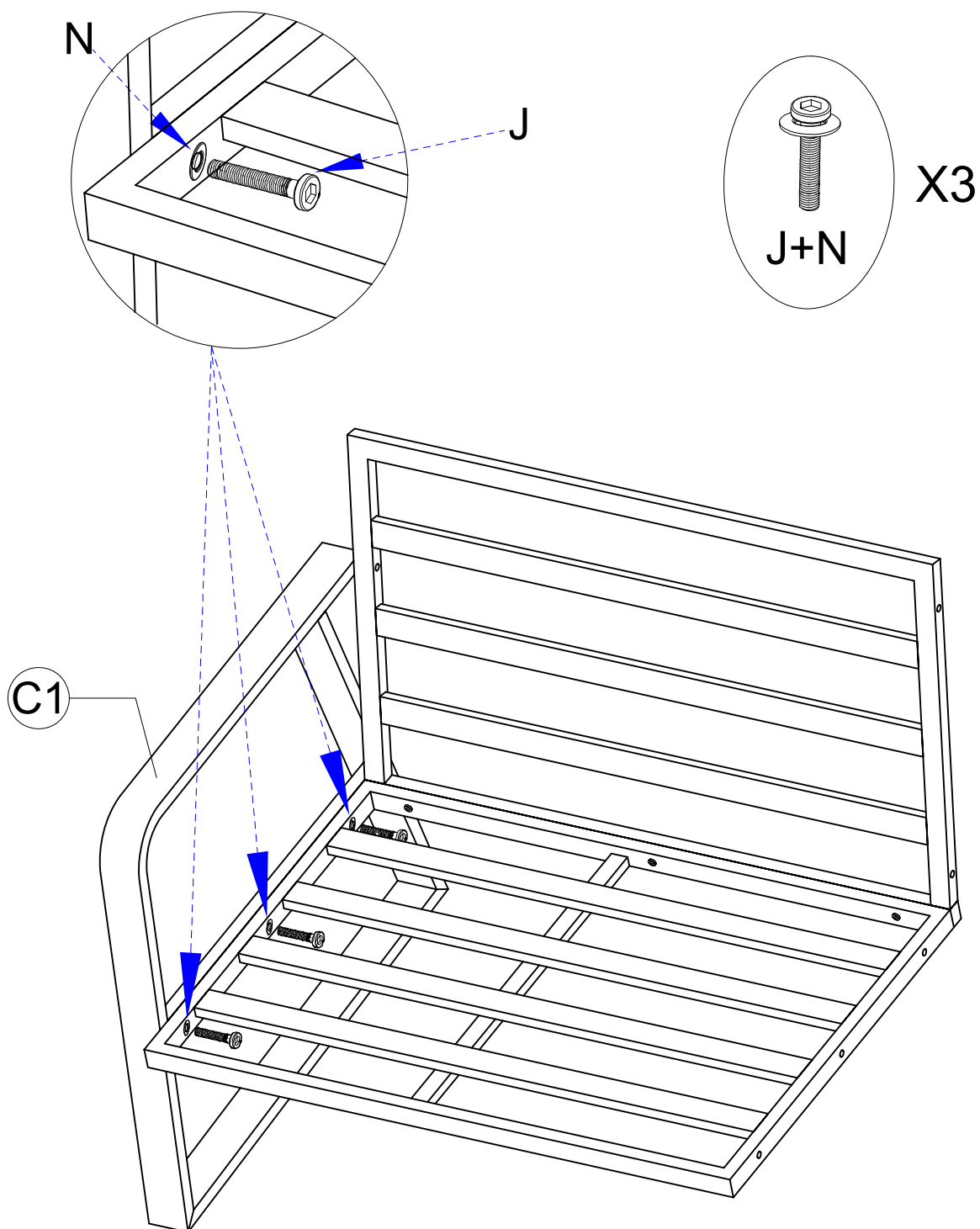


Sofa Assembly Instruction



Do not fully tighten the screws during initial assembly.
Fully tighten screws only once all pieces which are correctly assembled.

STEP 3

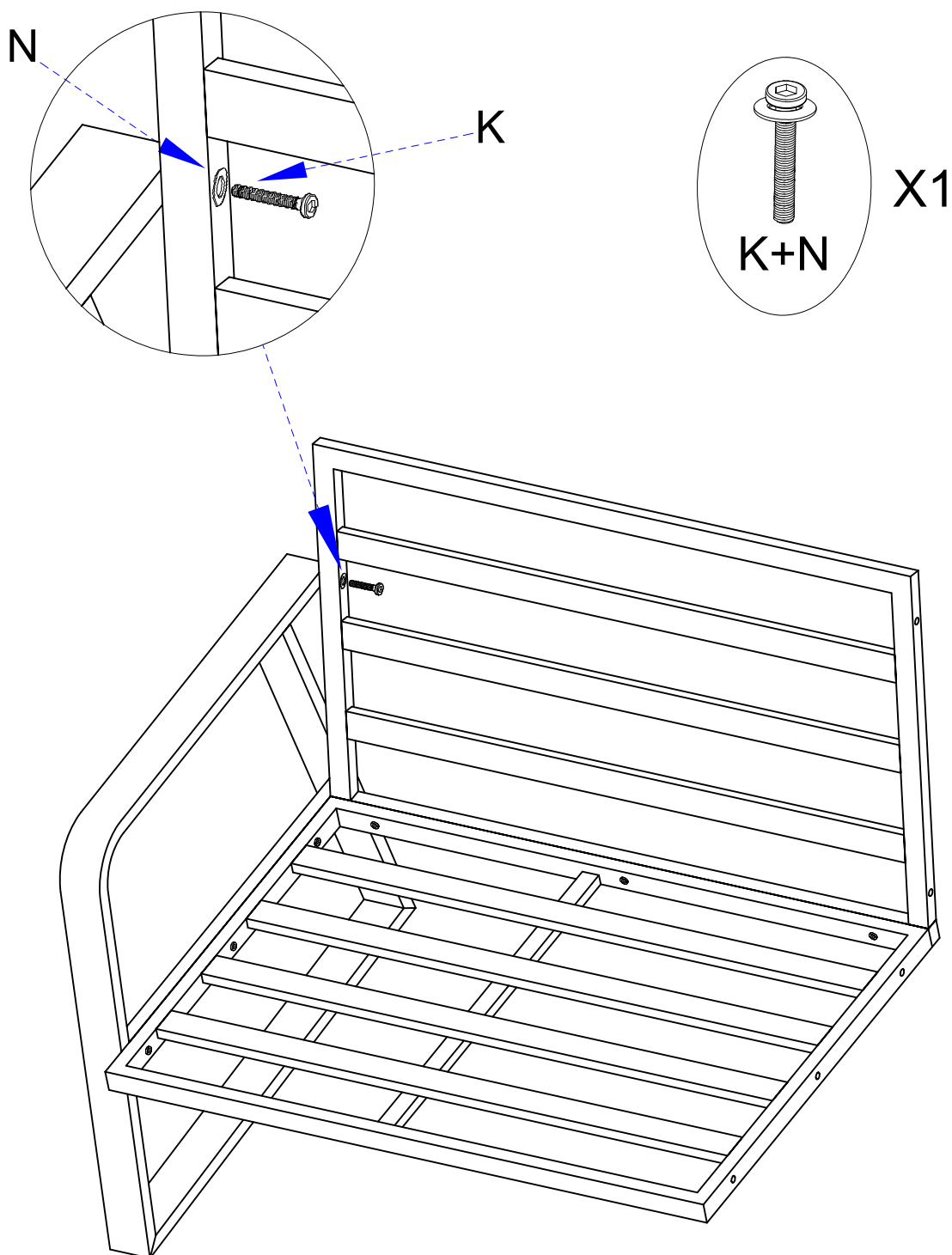


Sofa Assembly Instruction



Do not fully tighten the screws during initial assembly.
Fully tighten screws only once all pieces which are correctly assembled.

STEP 4

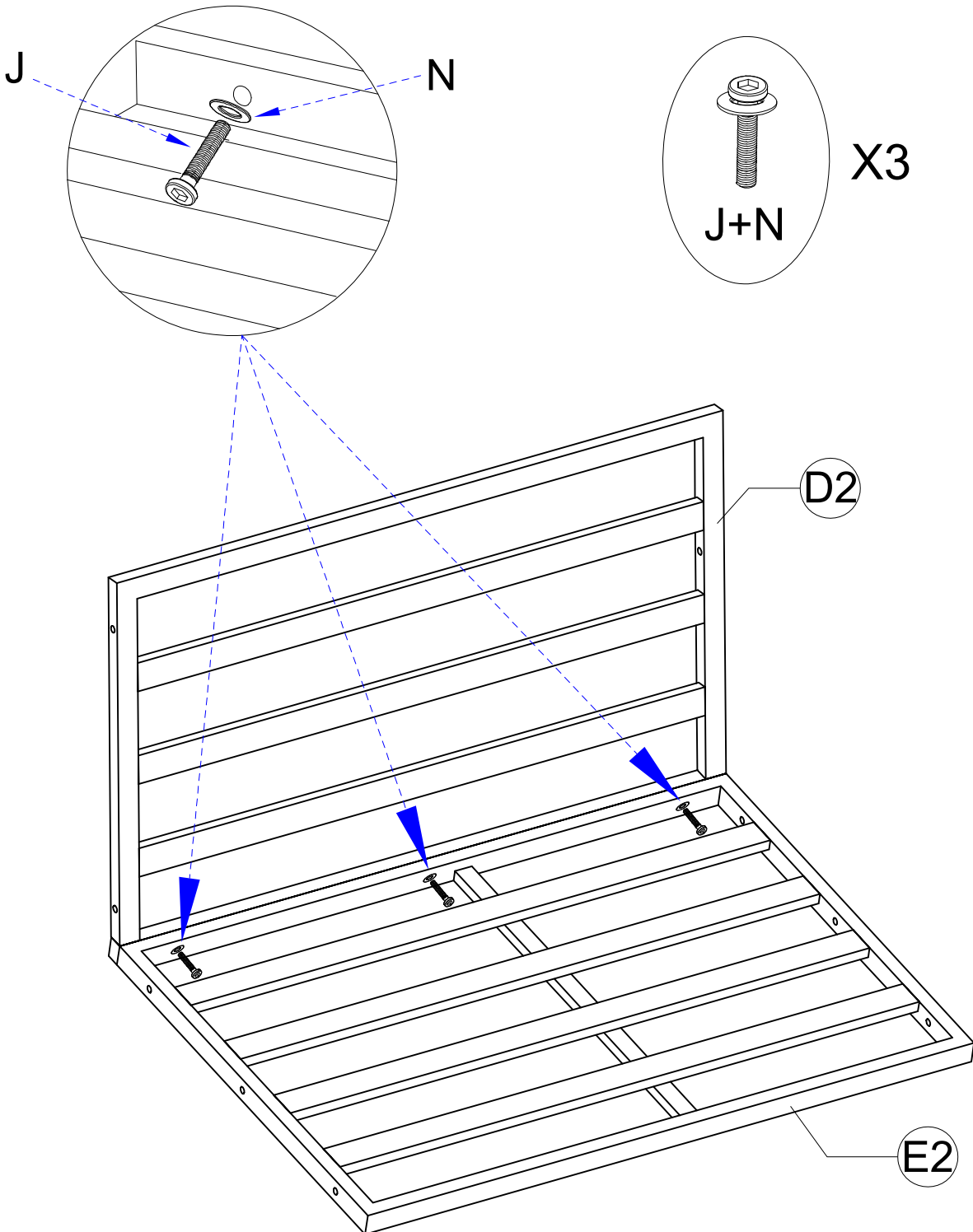


Sofa Assembly Instruction



Do not fully tighten the screws during initial assembly.
Fully tighten screws only once all pieces which are correctly assembled.

STEP 5

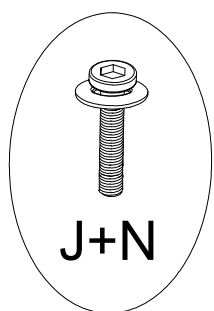


Sofa Assembly Instruction

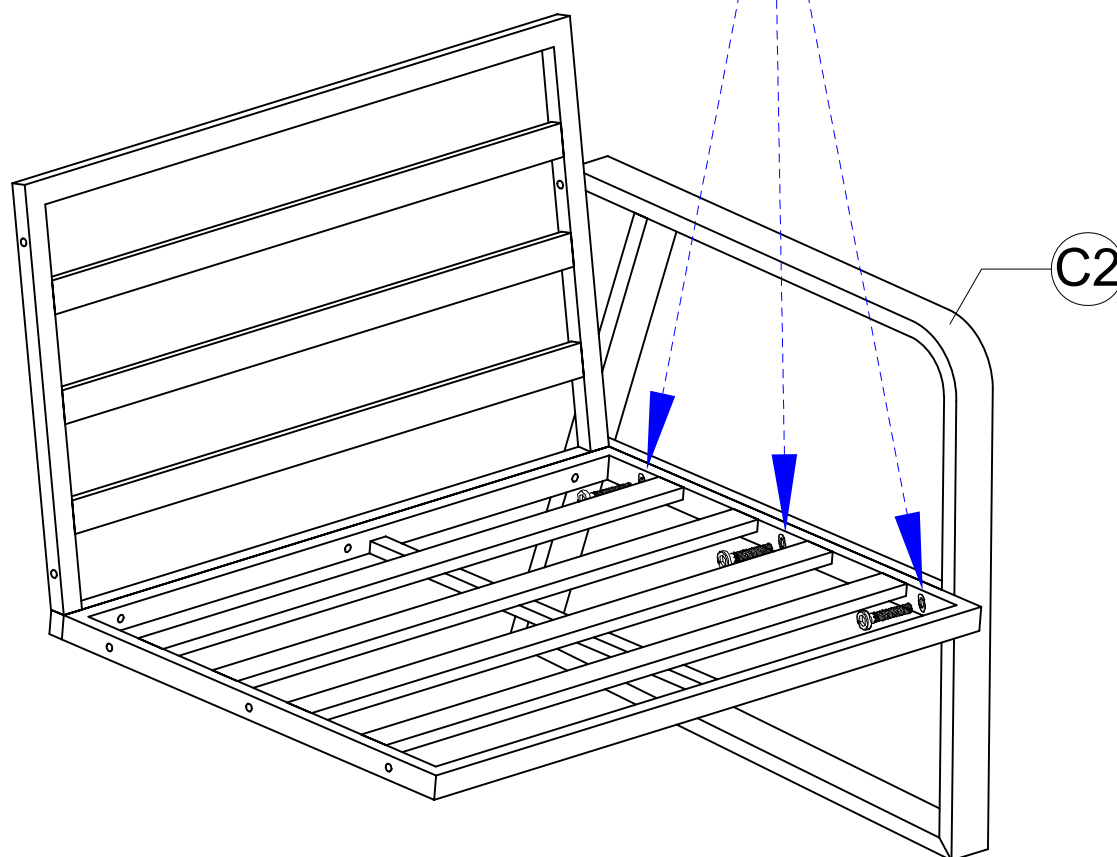
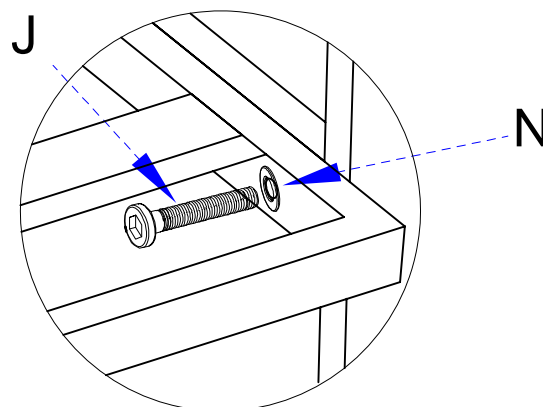


Do not fully tighten the screws during initial assembly.
Fully tighten screws only once all pieces which are correctly assembled.

STEP 6



X3

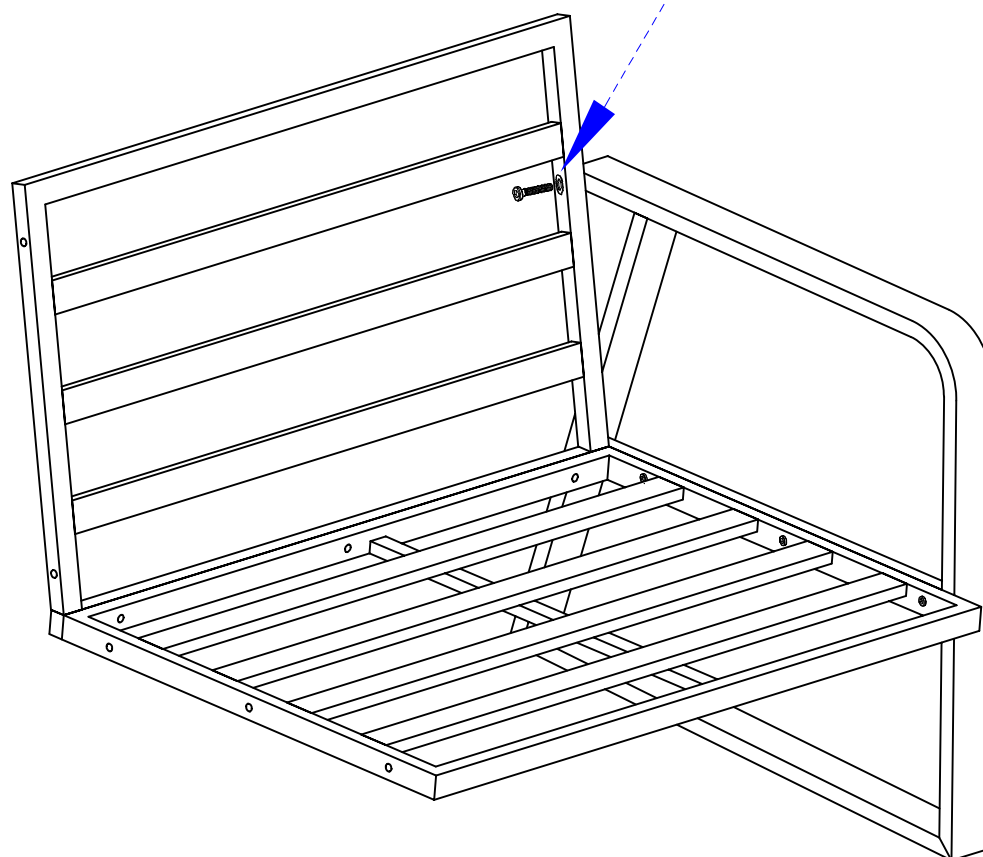
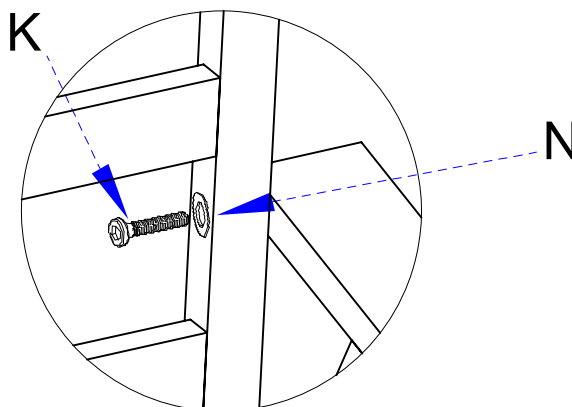
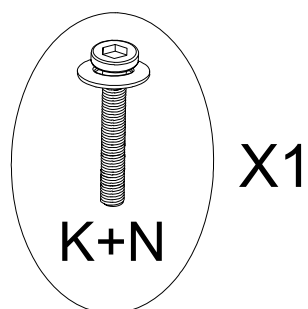


Sofa Assembly Instruction



Do not fully tighten the screws during initial assembly.
Fully tighten screws only once all pieces which are correctly assembled.

STEP 7

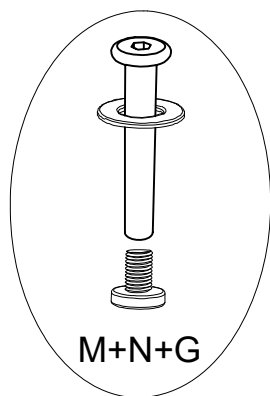


Sofa Assembly Instruction

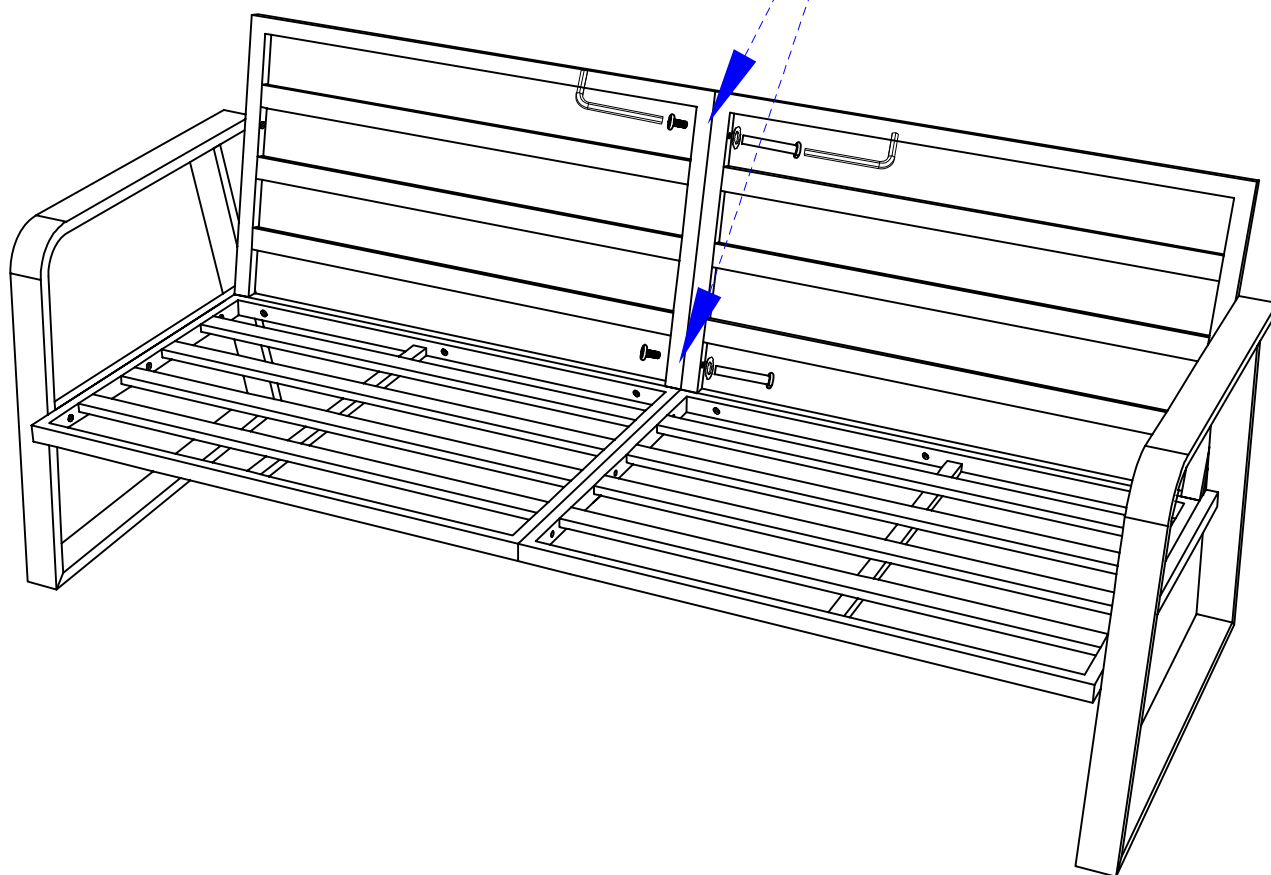
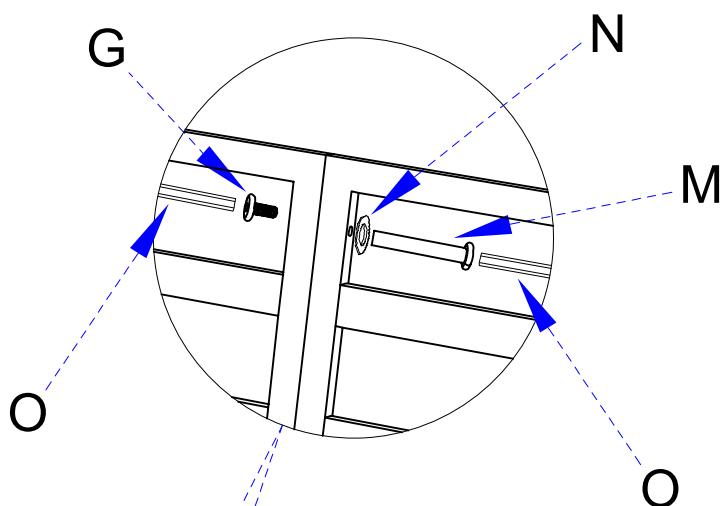


Do not fully tighten the screws during initial assembly.
Fully tighten screws only once all pieces which are correctly assembled.

STEP 8



X2

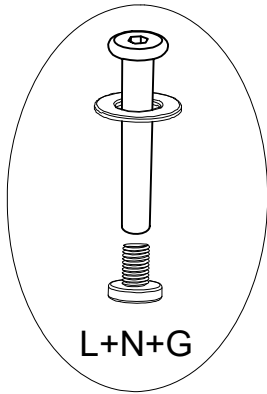


Sofa Assembly Instruction

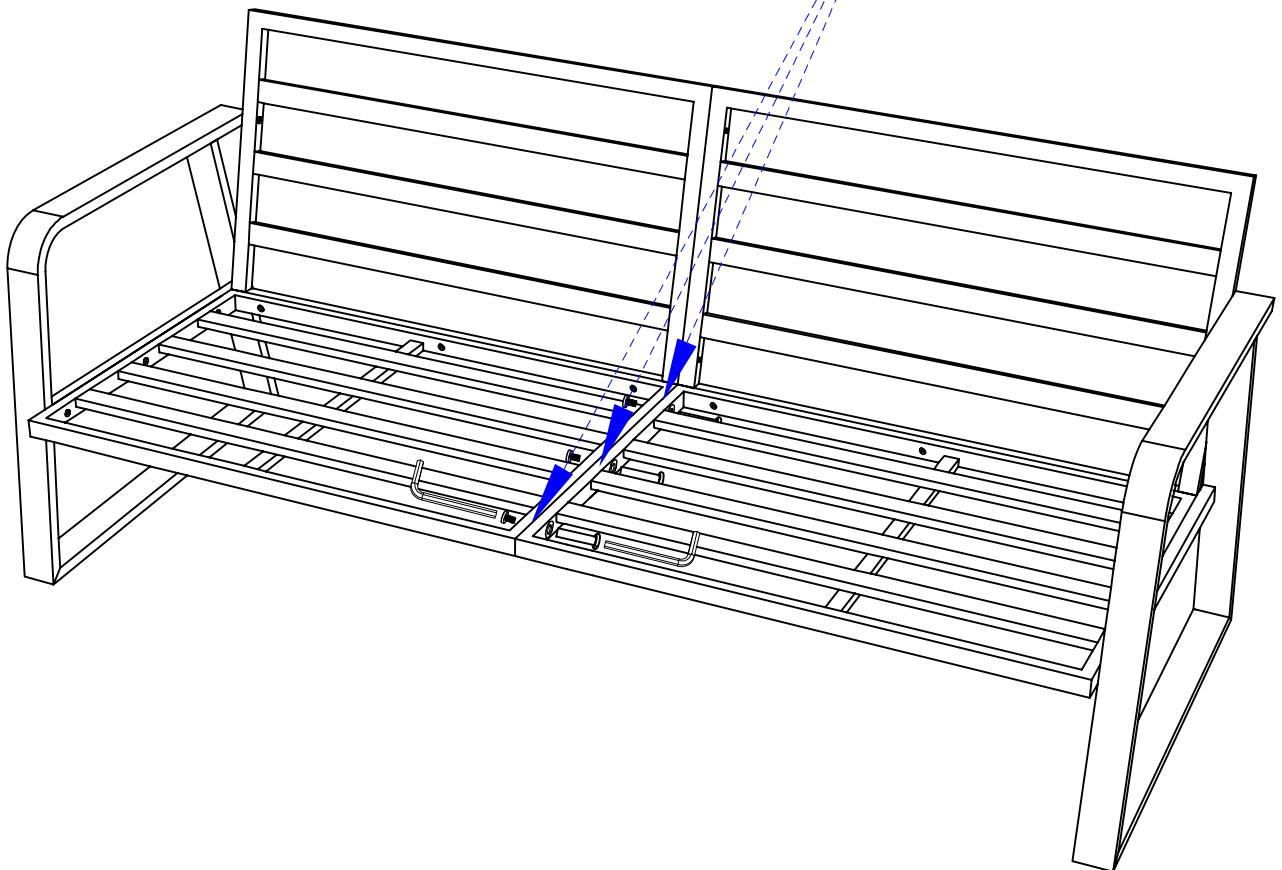
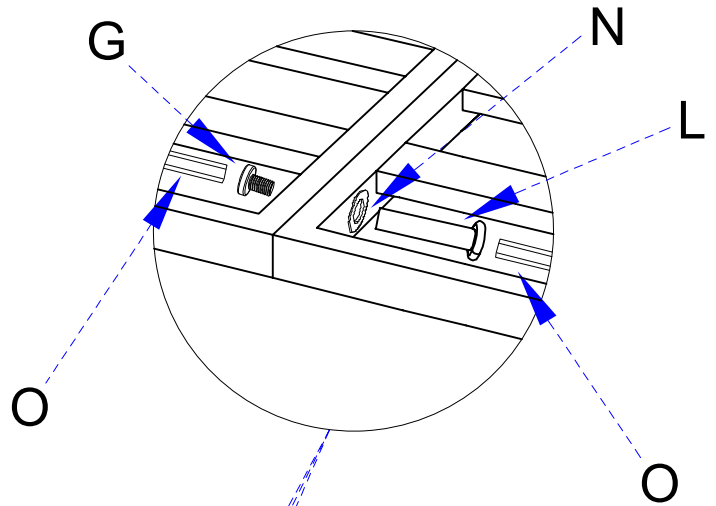


Do not fully tighten the screws during initial assembly.
Fully tighten screws only once all pieces which are correctly assembled.

STEP 9



X3

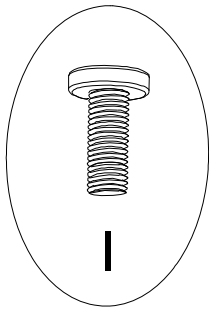


Sofa Assembly Instruction

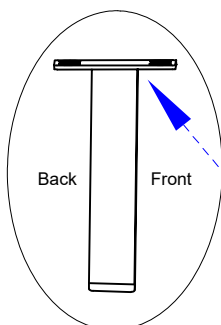
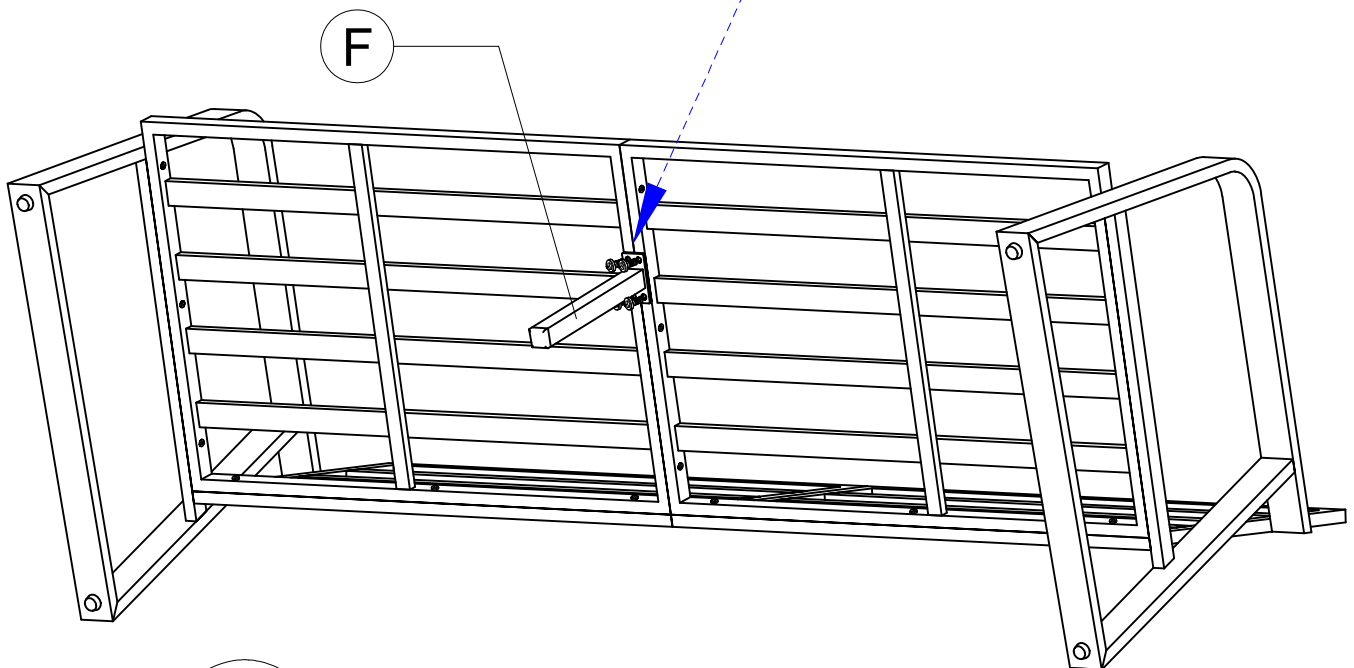
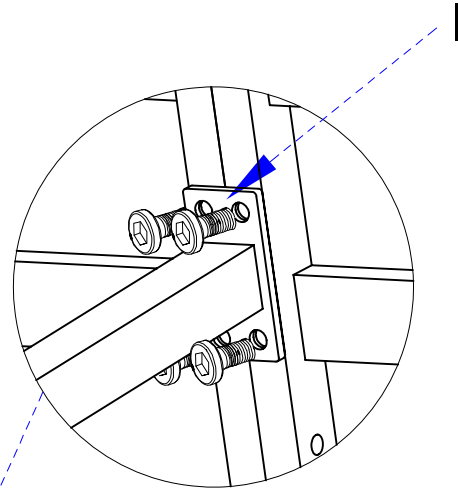


Do not fully tighten the screws during initial assembly.
Fully tighten screws only once all pieces which are correctly assembled.

STEP 10



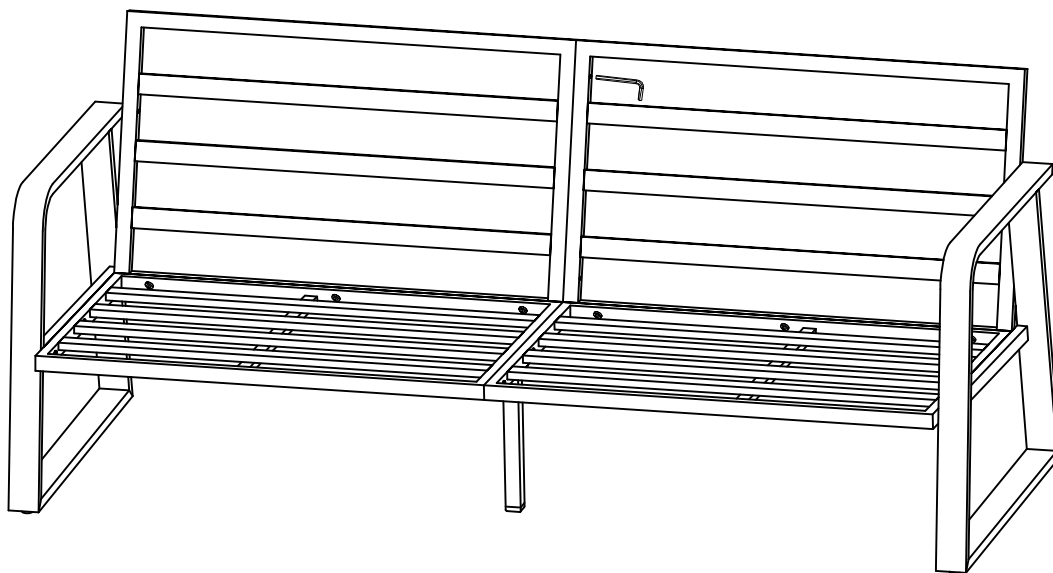
X4



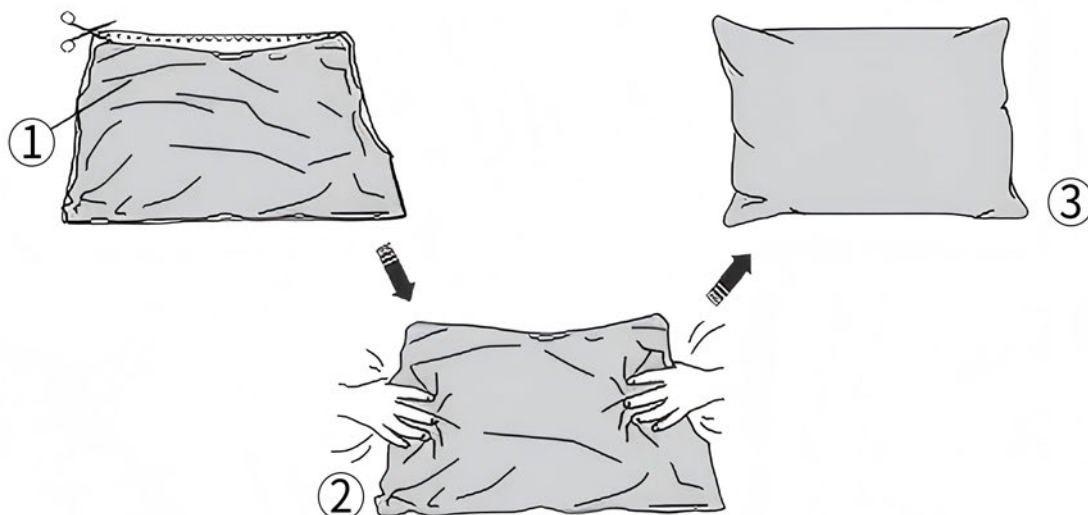
The larger angle faces the front of the sofa !
(when seated)

Sofa Assembly Instruction

FINISH



Fully tighten all the screws and the sofa is completed !



Unbox and fluff your cushion, then wait 48 hours for full rebound.