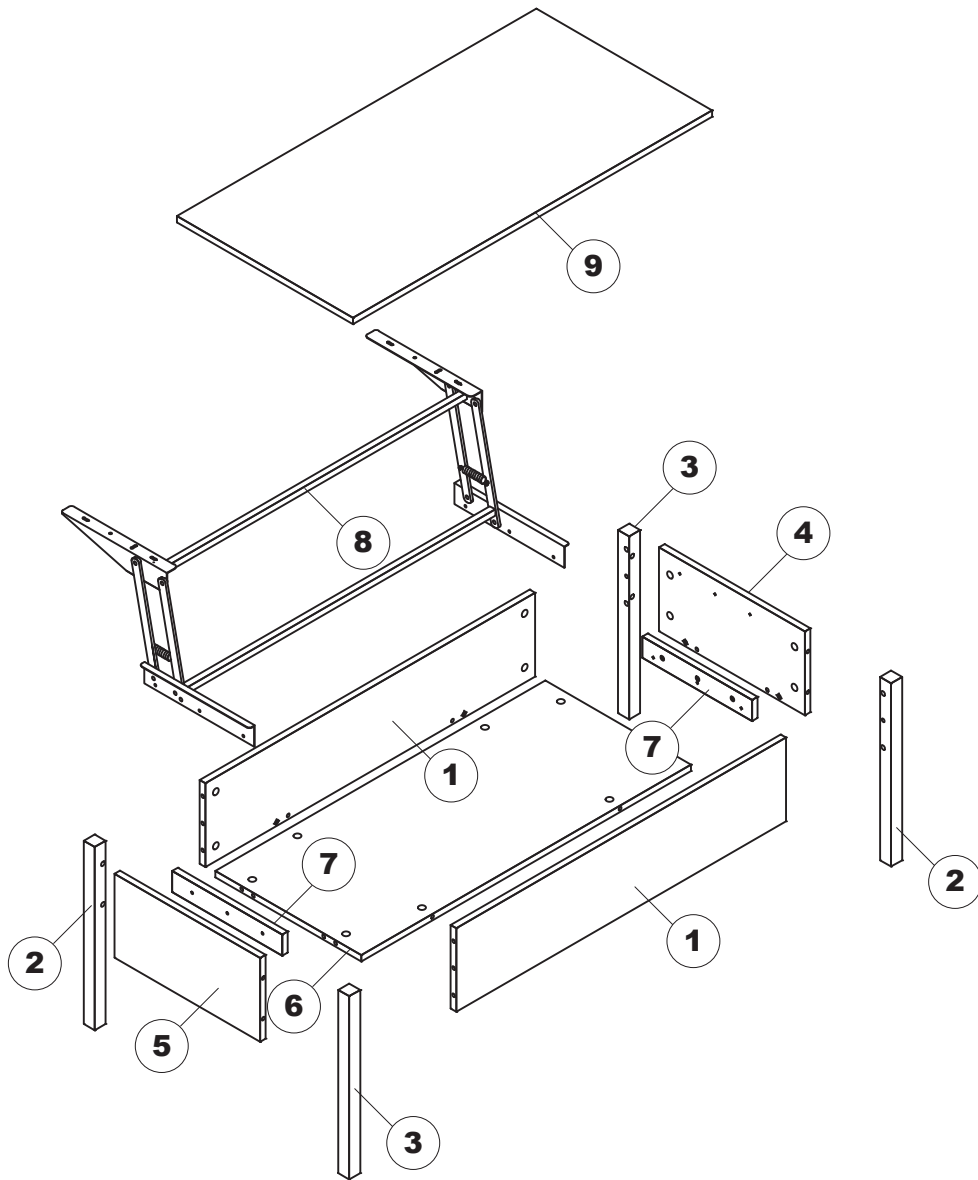
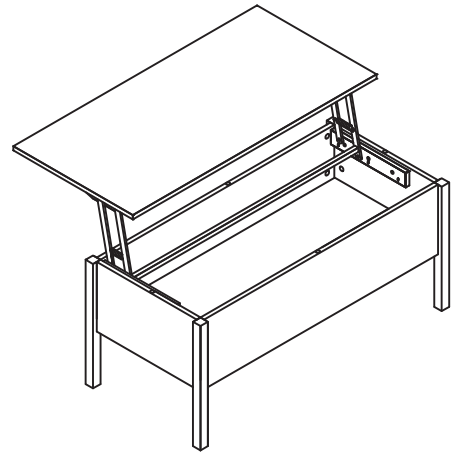
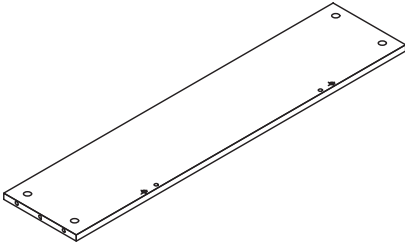


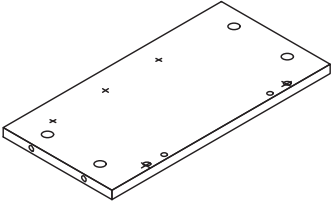
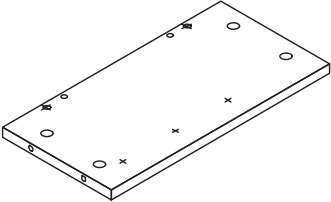
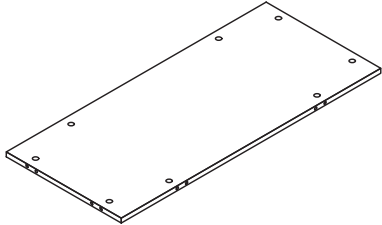
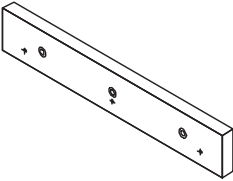
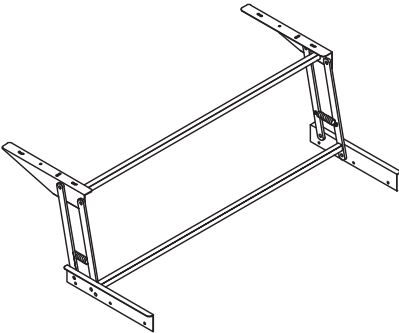
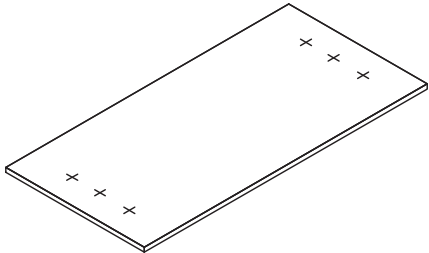







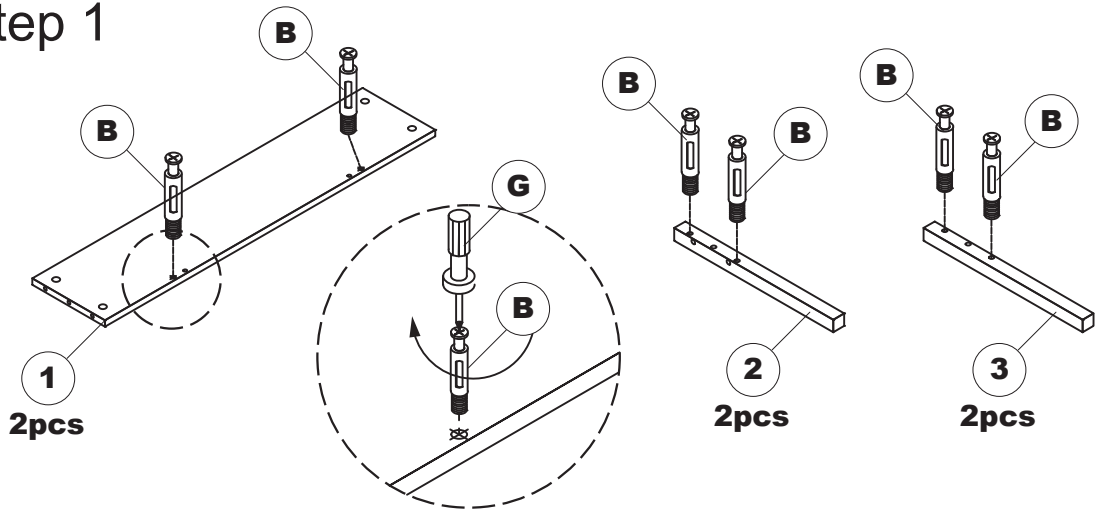



ASSEMBLY INSTRUCTIONS



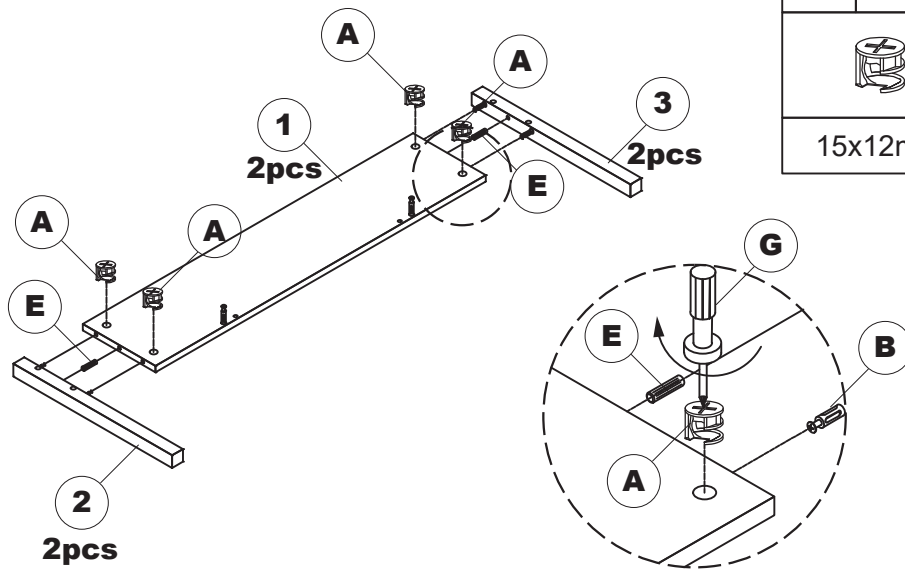
1		2		3									
													
Board 2pcs		Leg 2pcs		Leg 2pcs									
4		5		6									
													
Board 1pc		Board 1pc		Board 1pc									
7		8		9									
													
Board 2pcs		Lift Frame 1pc		Board 1pc									
A	X24	B	X24	C	X6	D	X12	E	X12	F	X4	G	X1
													
15x12mm	6x28mm	Ø4x25mm	Ø4x14mm	Ø8x30mm	M10mm	50x35mm							



Step 1



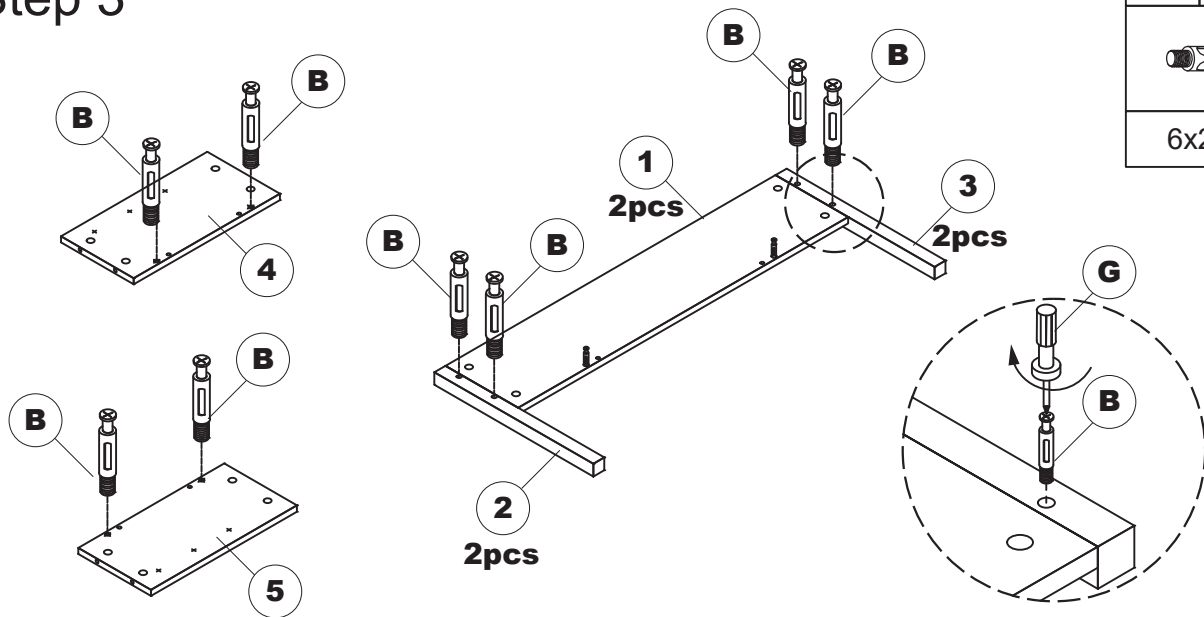
B	X12
	
6x28mm	


Step 2



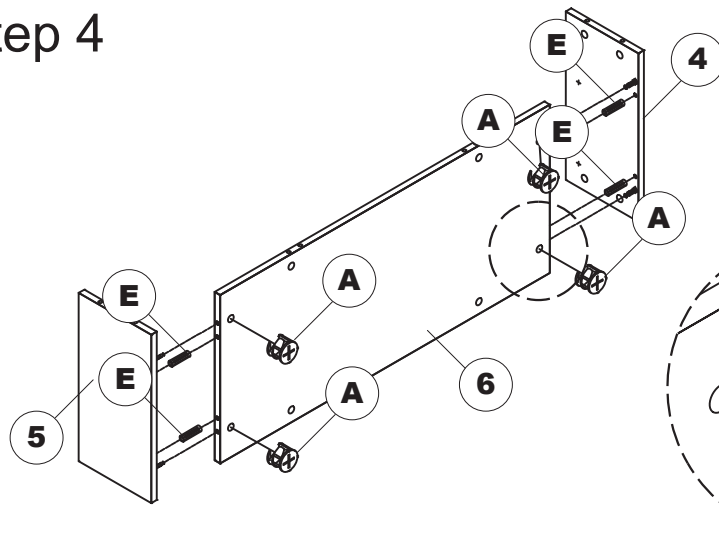
A	X8	E	X4
			
15x12mm		Ø8x30mm	



Step 3



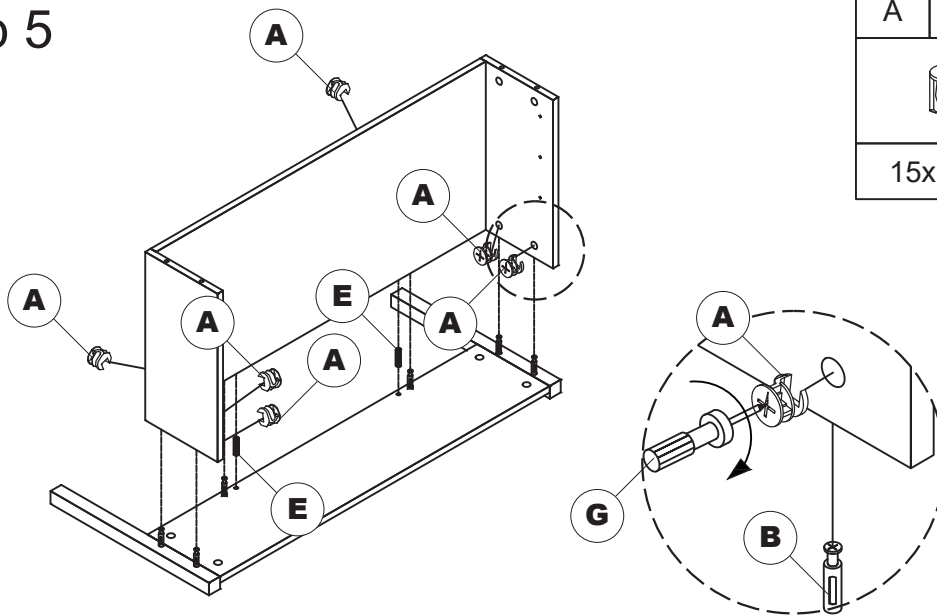
B	X12
	
6x28mm	



Step 4



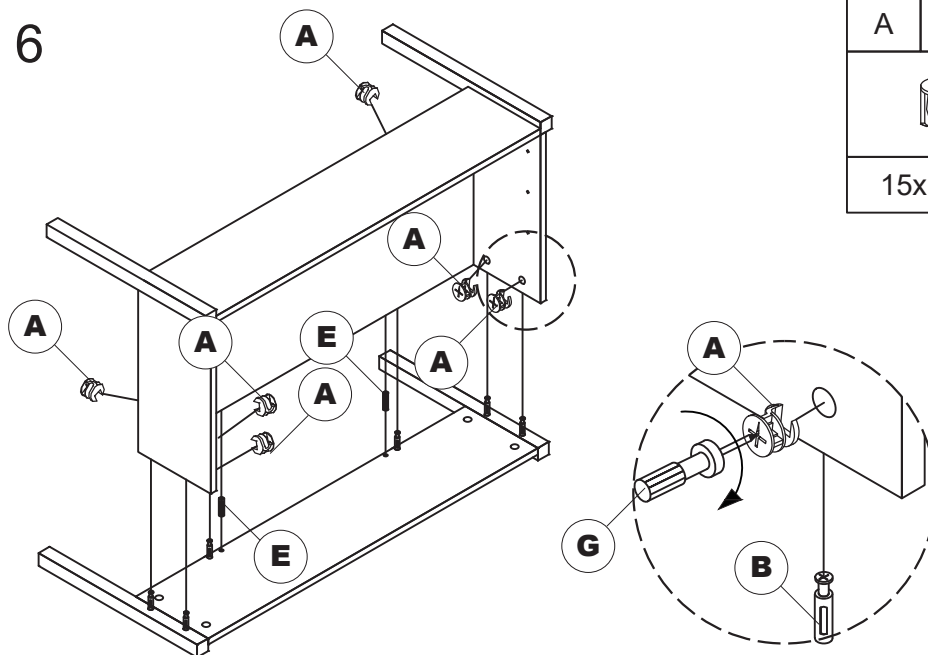
A	X4	E	X4
			
15x12mm		Ø8x30mm	



Step 5



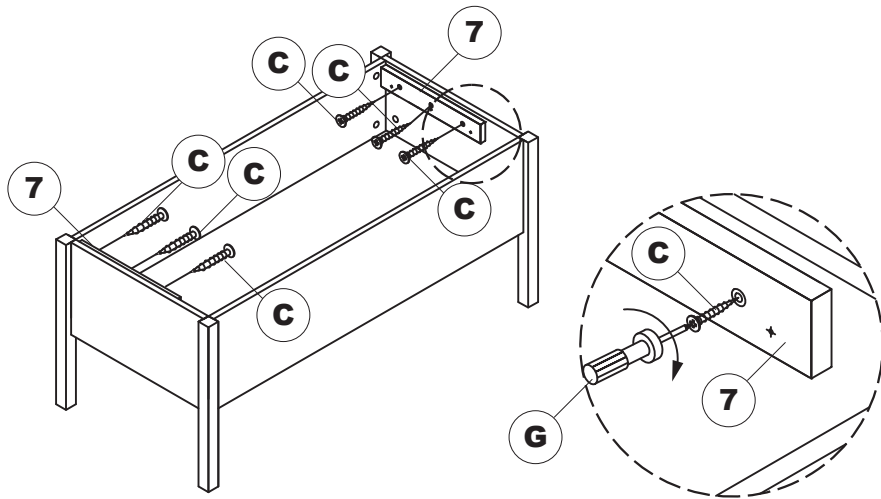
A	X6	E	X2
			
15x12mm		Ø8x30mm	


Step 6



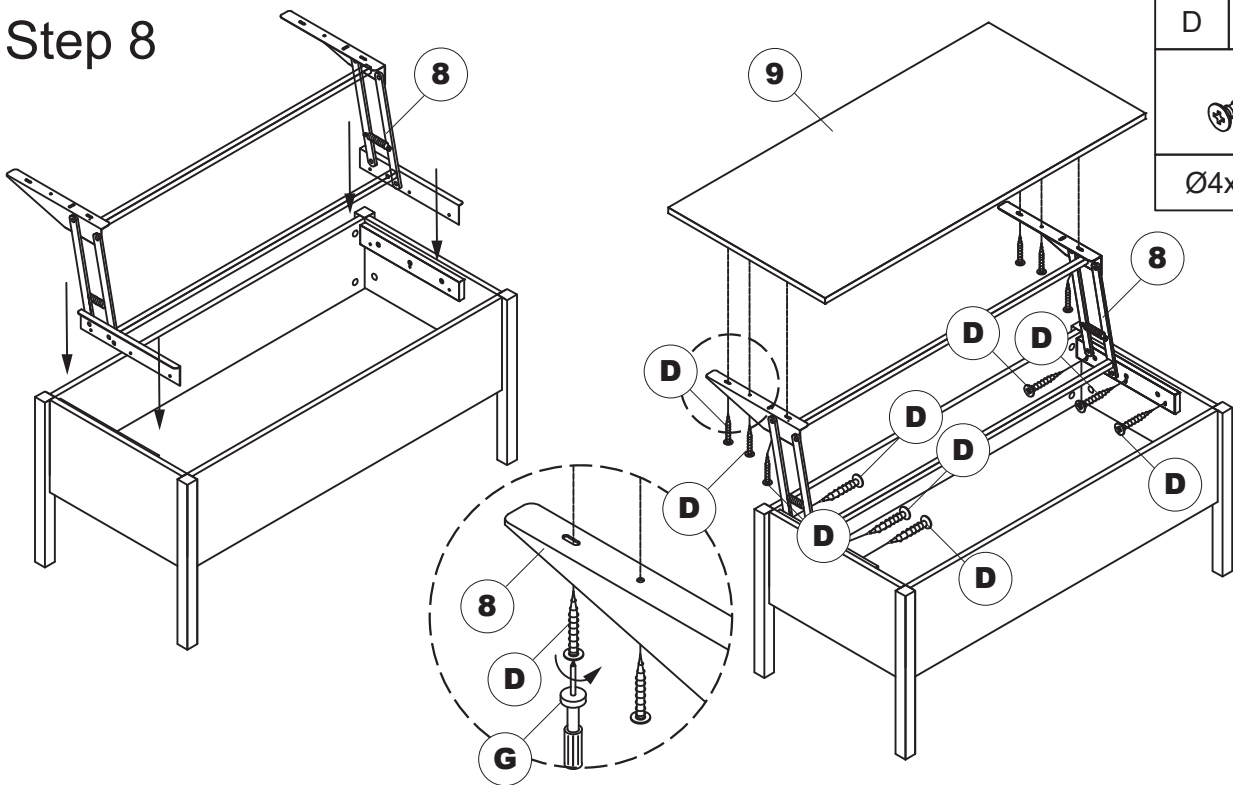
A	X6	E	X2
			
15x12mm		Ø8x30mm	


Step 7



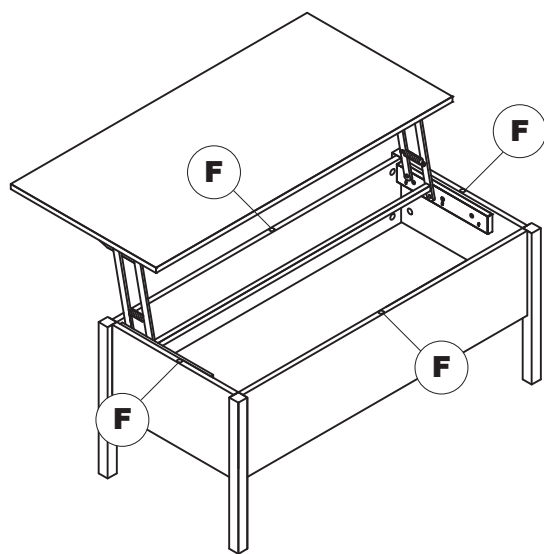
C	X6
	
Ø4x25mm	


Step 8



D	X12
	
Ø4x14mm	

Step 9



F	X4
	
M10mm	

OK