


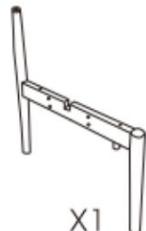

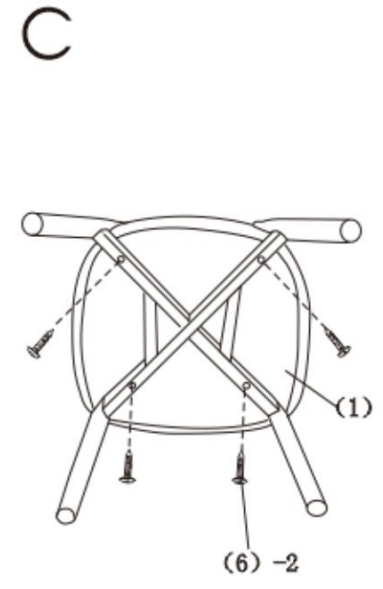
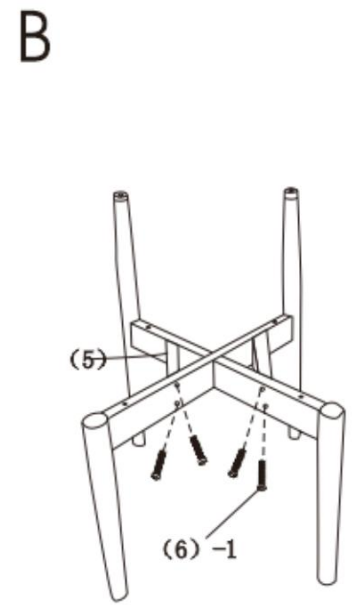
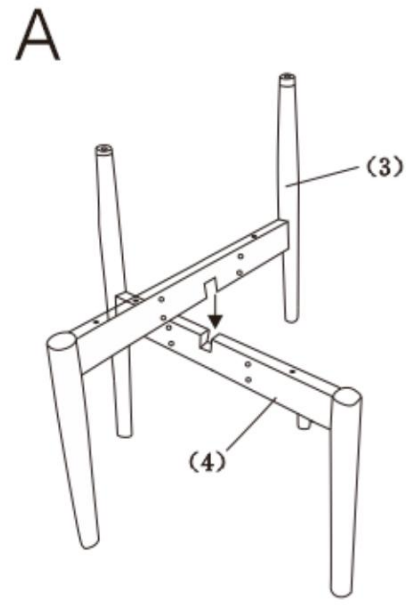








(1) SEAT	(2) BACK	(3) Seat Frame	(4) Seat Frame
			
X1	X1	X1	X1
(5) Side plate			
			
X2			



- (6)**
- 1.  (M6x35) X8
 - 2.  (M6x45) X4
 - 3.  (M6x25) X2
 - 4.  X4
 - 5.  X2
 - 6.  X1

