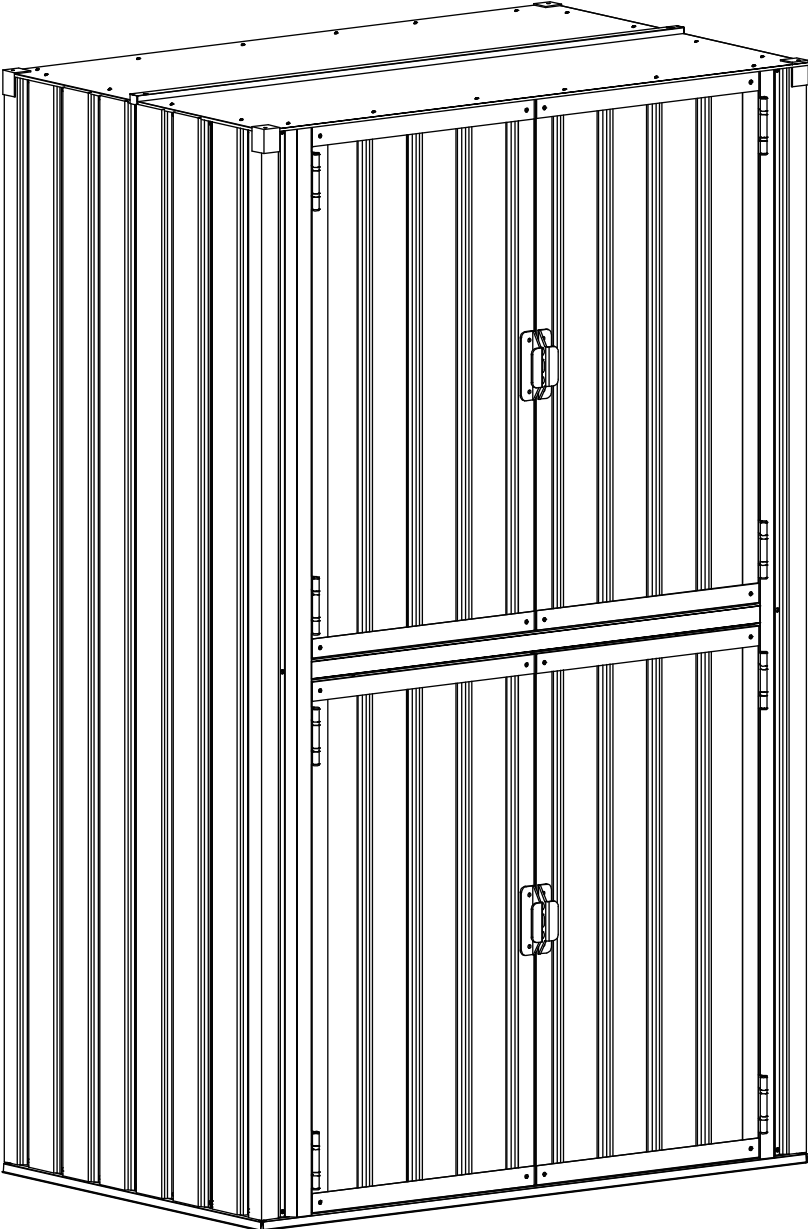
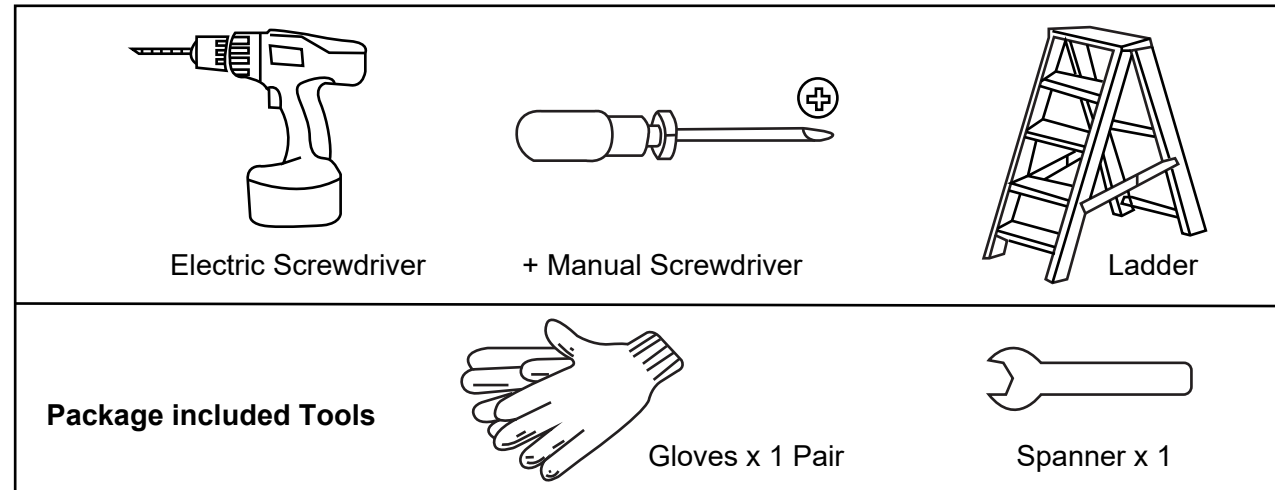


# 2\*4 Storage Shed Installation\_SS16330



The product comes in 1 Package.  
If you find any missing accessories, please  
contact us promptly.

**Please prepare below tools before installation.(Not Included)**



**ATTENTION:**  
Please read this instruction carefully before installation and follow it strictly during installation. Ensure that there are no problems later due to installation errors.

**Installation Notes**

Please check the quantity of all parts before installation (Please refer to the Parts Lists) and the appearance of the products. Please make sure the product is correct before installation. If there is any problem, please contact us directly.

Make sure the colored panels are facing outwards and all the holes match. The panels are textured, please install the panels in the order specified in the instructions. All lines and holes must be accurately matched to make the storage shed more stable. Please ensure that all screws are tightened to prevent the product from falling apart.

There is a protective film on the surface to protect the product, please tear it off after installation to get the final presentation. If you do not damage the film during installation, it can also remain on the product to protect the product.

Please place the product on a flat ground to prevent leaning and collapse. If the ground is uneven, the door may can't be closed.

**! Safety Precautions**

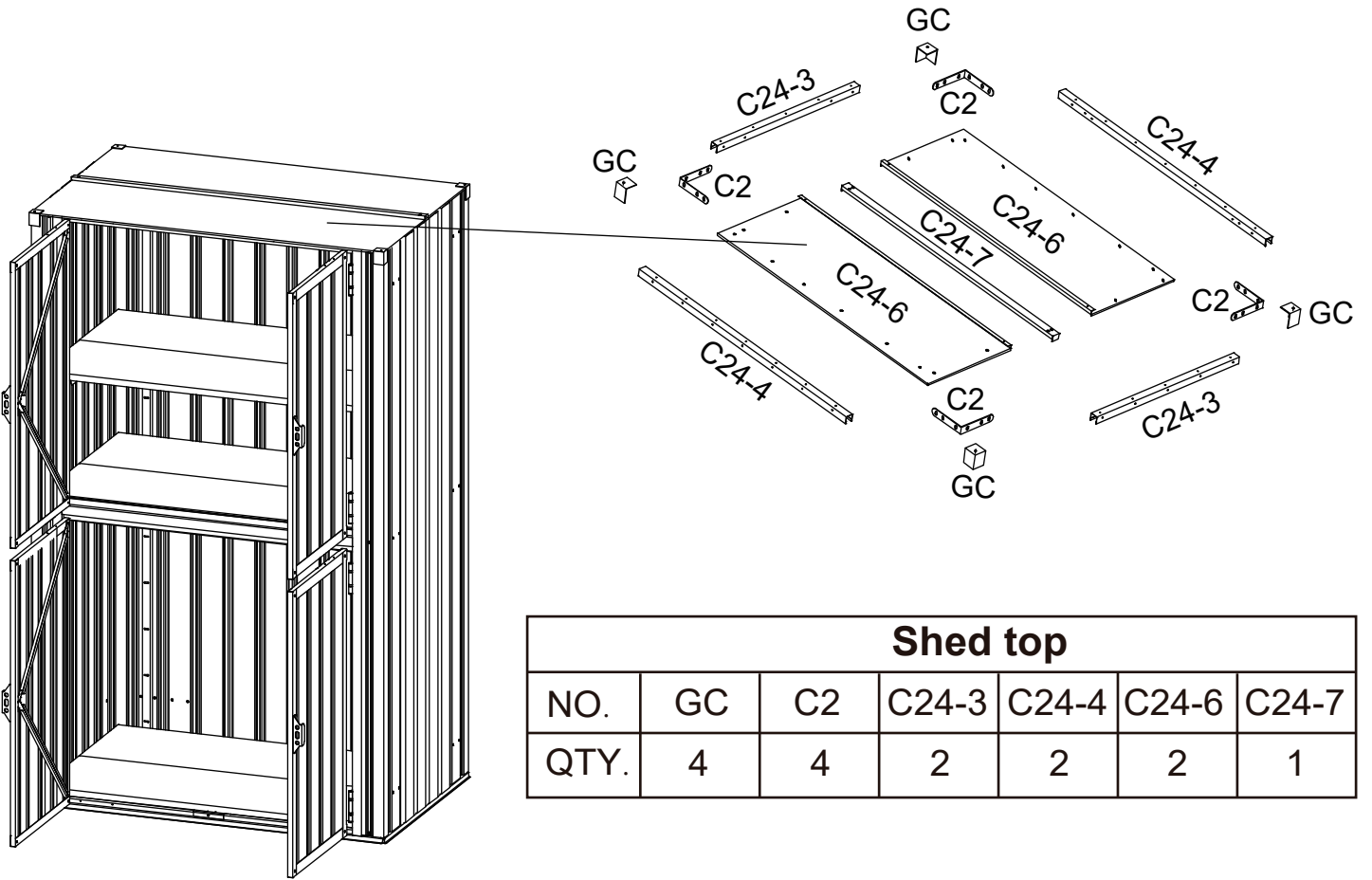
We recommend two adults to complete the installation. Two adults installed together will make the installation process easier and safer.  
The gloves must be carried to prevent hand cuts during installation.  
Take care when using power tools near water the use of a residual current device(RCD) is advised. Please use the electric driver carefully during screwing to prevent the screw from slipping and hurting your hand.(We recommend that beginners use a manual screwdriver for installation.)  
Be careful not to fall when installing the roof. Please steady the ladder and make sure the product placed on a flat ground.

**PLEASE KEEP THIS INSTRUCTION FOR FUTURE REFERENCE.**

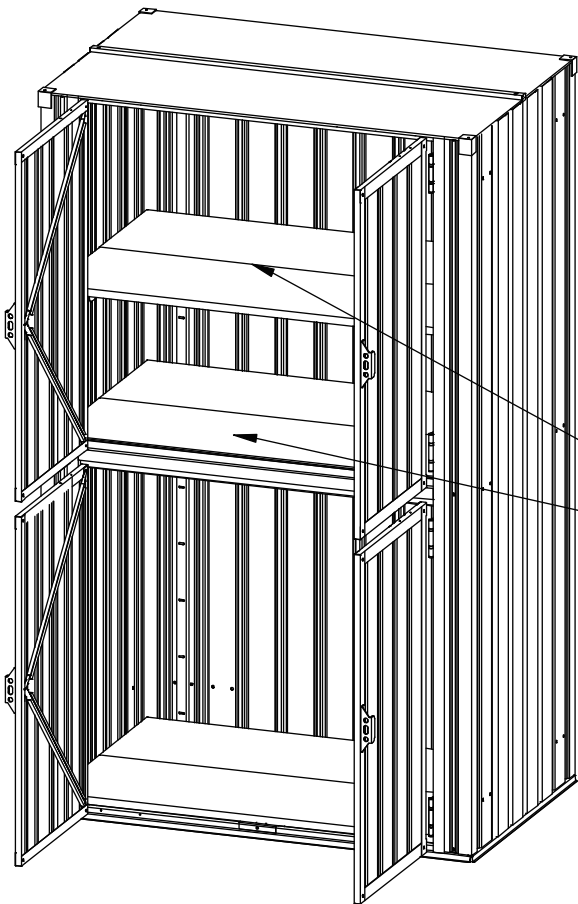
**Part List**

PART	NO.	QTY.	PART	NO.	QTY.
	T13	1		W3-HC1	4
	C24-1	2		GC	4
	C24-2	2		GB	4
	C24-3	2		T-F	4
	C24-4	2		F1	191
	C24-5	2		F2	36
	C24-6	2		F3	64
	C24-7	1		F8	8
	C24-8	6		V2	28
	C24-9	6		C2	4
	C24-10	2		DH	8
	C24-11	1		CT	8
	C24-12	1		M4	1
	C15	8		ST	2
	C24-UA	2			
	C24-DA	4			
	C24-DLRA	4			
	C24-DDA	8			
	C24-DBA	8			
	C14	1			
	W3-CB	4			
	W3-B	7			
	W3-B1	2			
	W3-HC2	4			

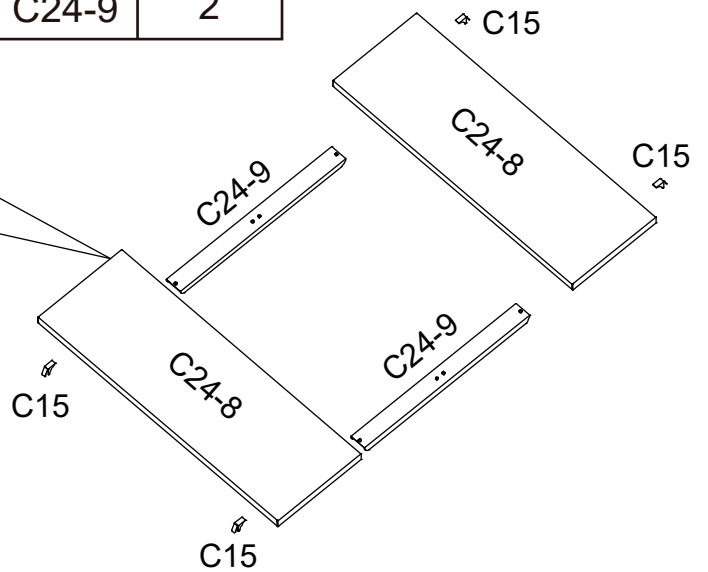
# Part List



Shed top						
NO.	GC	C2	C24-3	C24-4	C24-6	C24-7
QTY.	4	4	2	2	2	1



Shed Shelf	
NO.	QTY.
C15	8
C24-8	2
C24-9	2

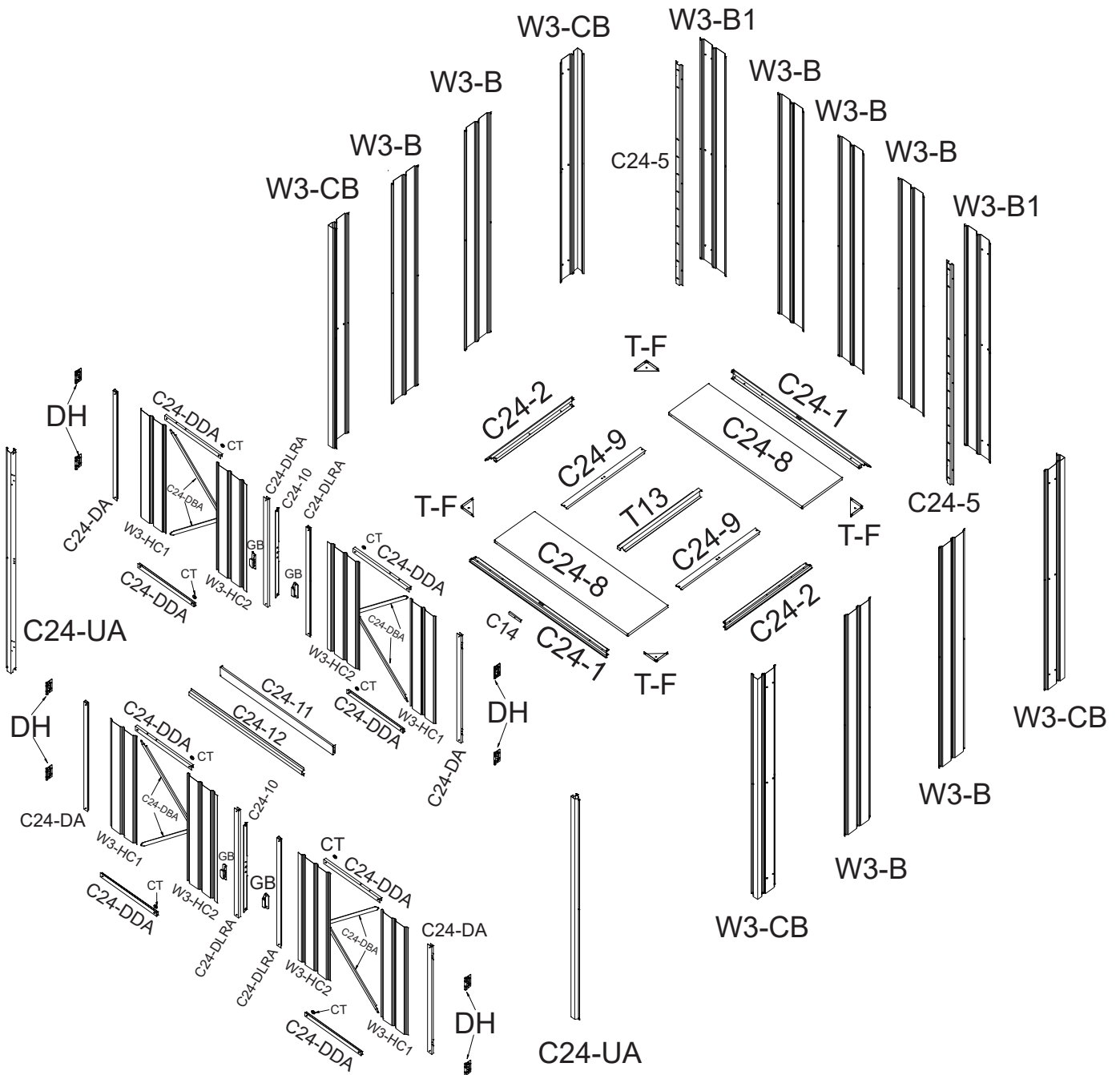


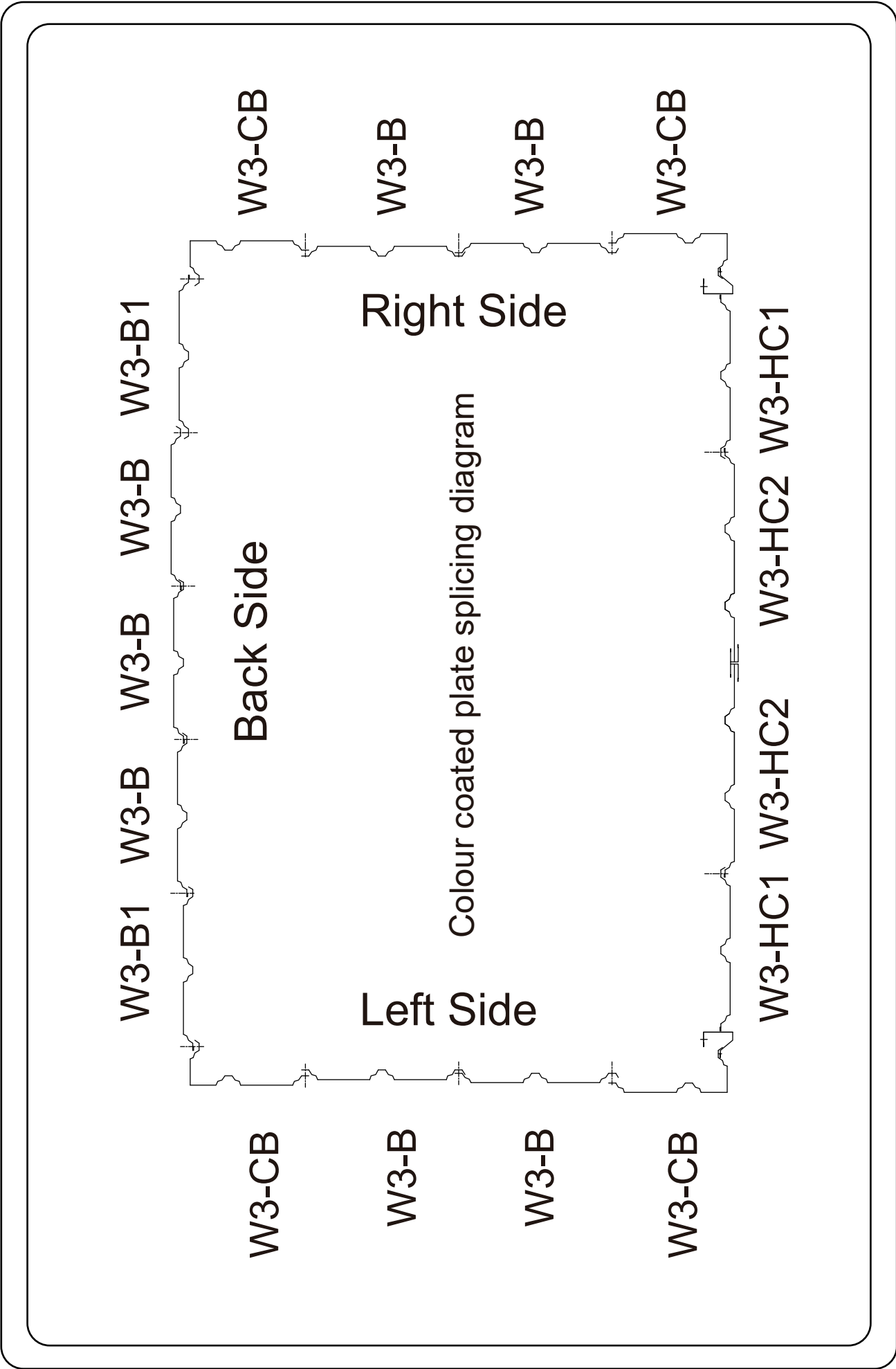
# Part List

NO.	T-F	C24-1	C24-2	C24-8	C24-9	T13	W3-CB	W3-B	W3-B1	C24-5
QTY.	4	2	2	2	2	1	4	7	2	2



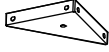

NO.	C14	C24-UA	DH	CT	C24-DA	C24-DDA	C24-DLRA	C24-DBA
QTY.	1	2	8	8	4	8	4	8

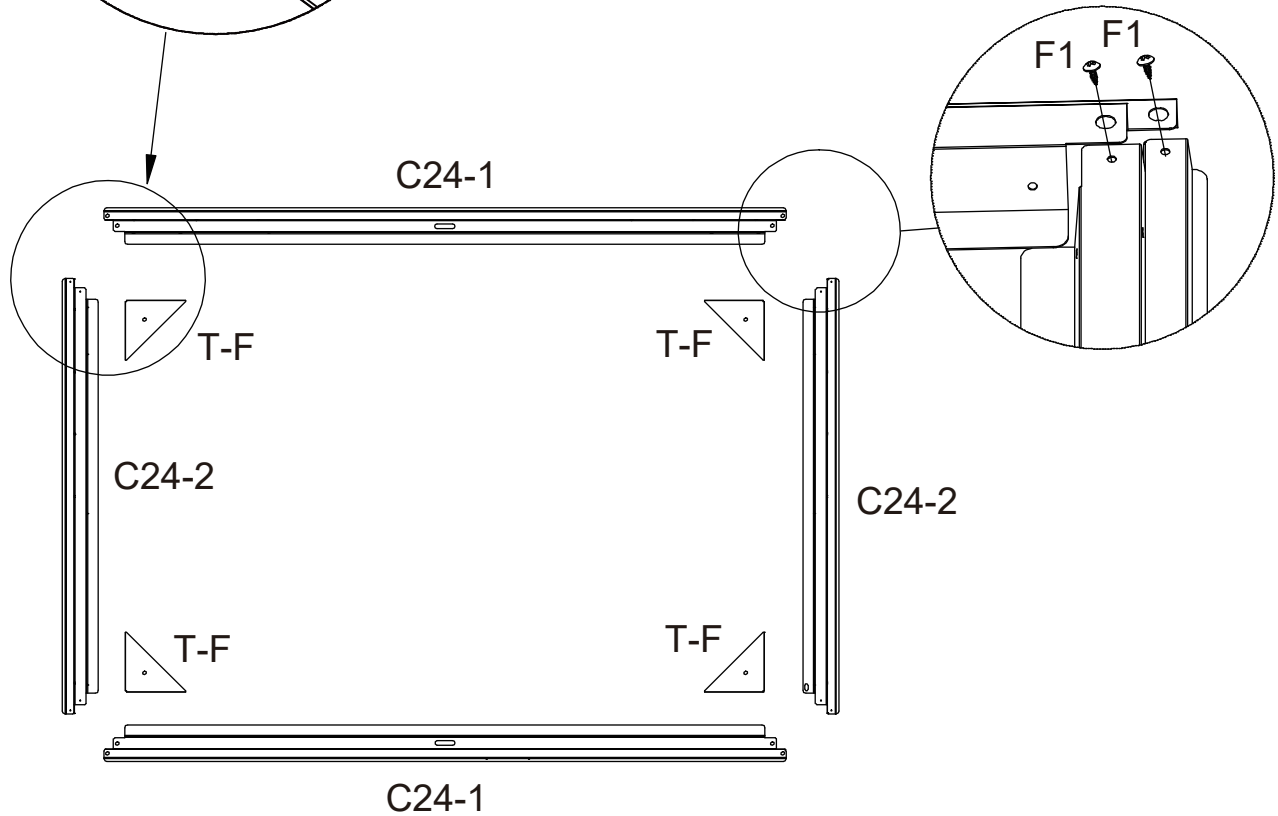
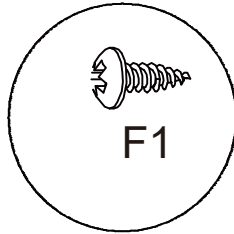
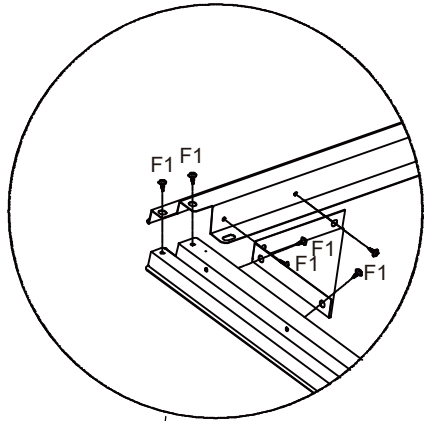
NO.	GB	C24-11	C24-12	W3-HC1	W3-HC2	C24-10
QTY.	4	1	1	4	4	2






# Shed Base Frame Assemble

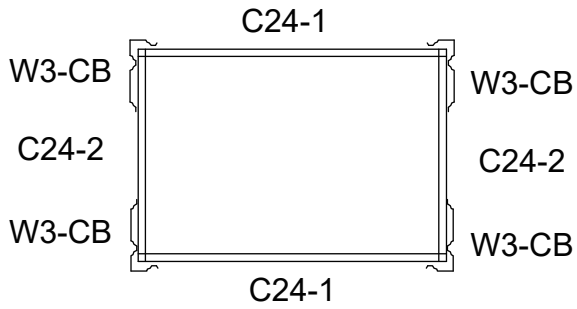
PART	NO.	QTY.
	C24-1	2
	C24-2	2
	T-F	4
	F1	24





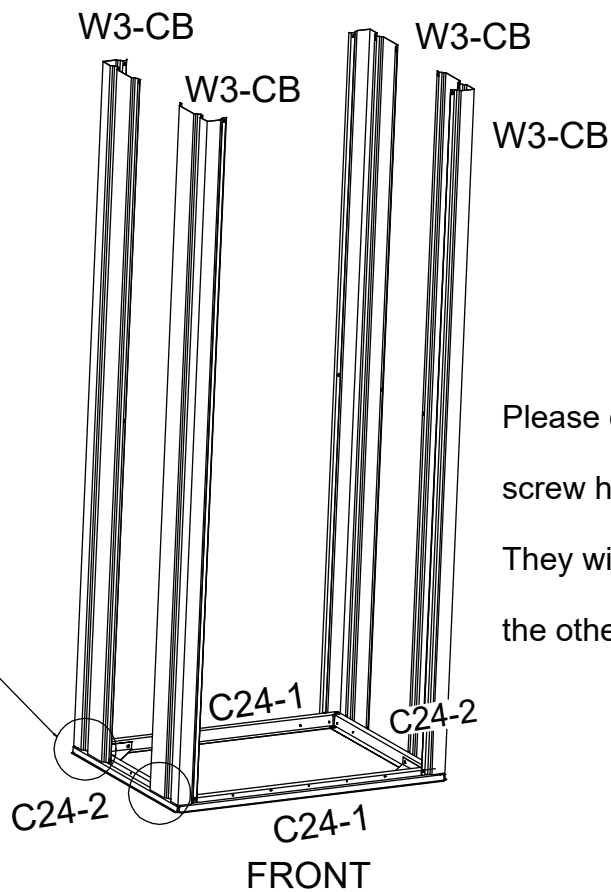
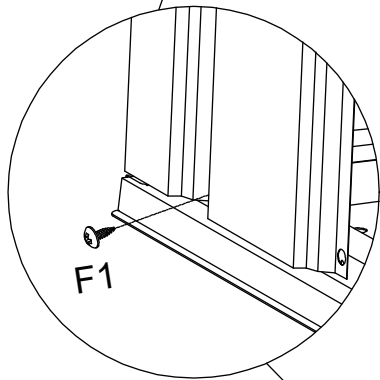
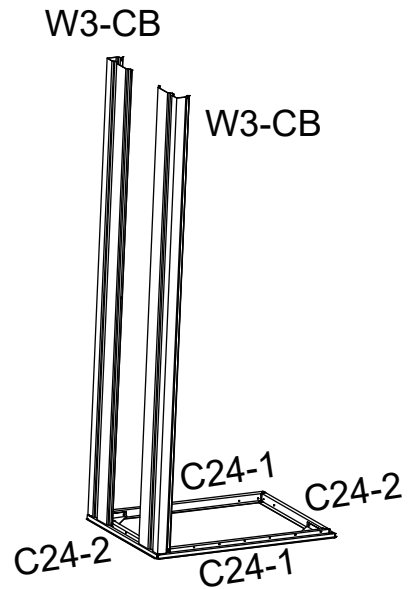
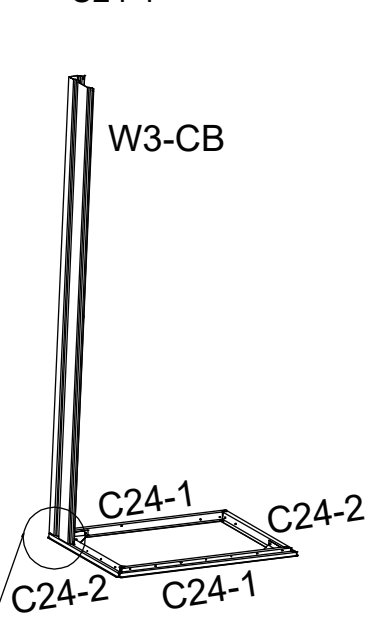
and the diagonal dimensions need to be consistent during assembly, with a flat ground, otherwise it will affect the entire tool room structure.

 **Note:** The larger hole is always covered over the small hole.

# Shed Side Panels Assemble







PART	NO.	QTY.
	W3-CB	4
	F1	4

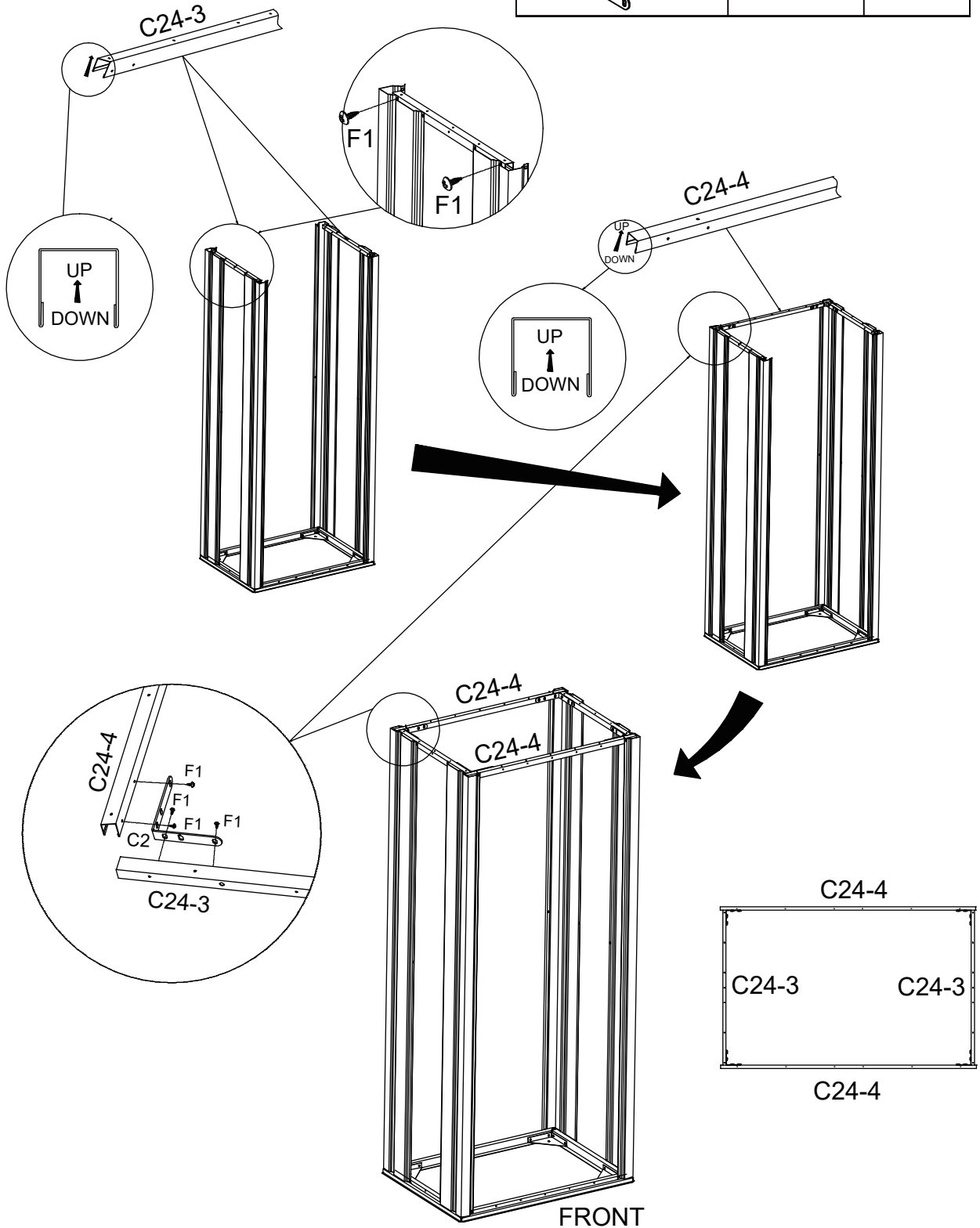


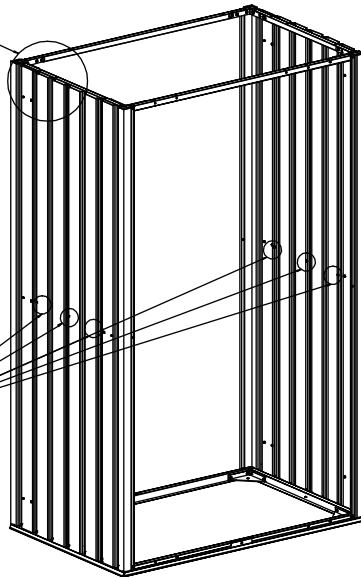
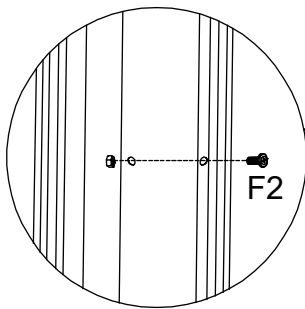
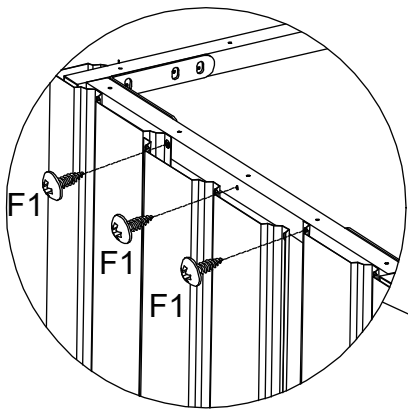
Please do not install the screw here.  
They will be installed after the other plates are installed






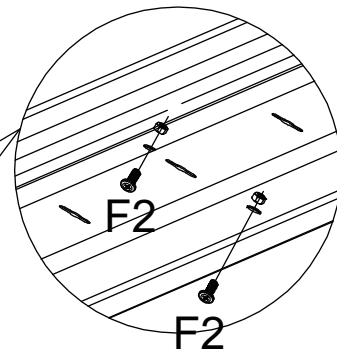
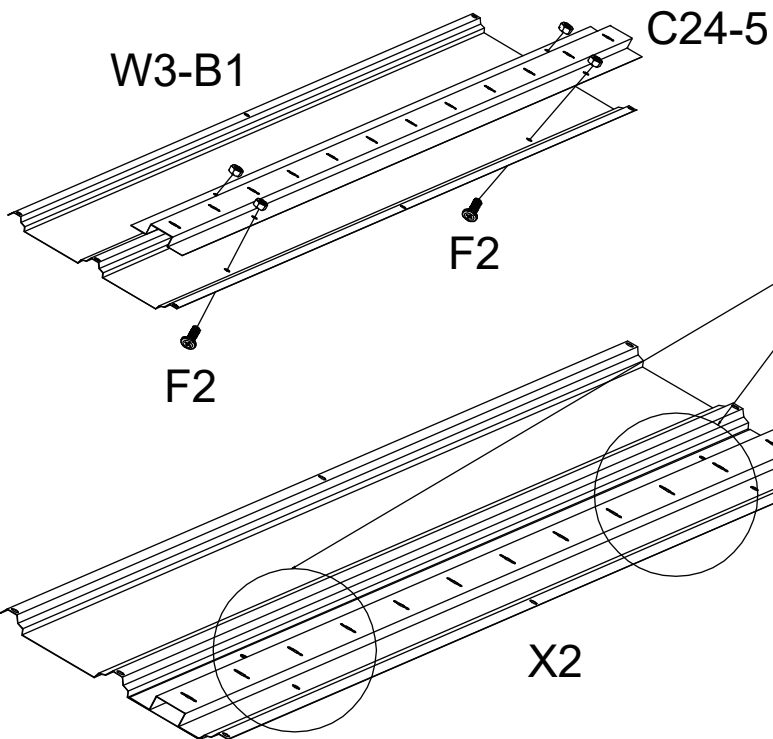
**Note:** Two Adults Are Required.  
Please pay attention to the  
orientation of accessories  
during installation.




PART	NO.	QTY.
	C24-3	2
	C24-4	2
	F1	20
	C2	4





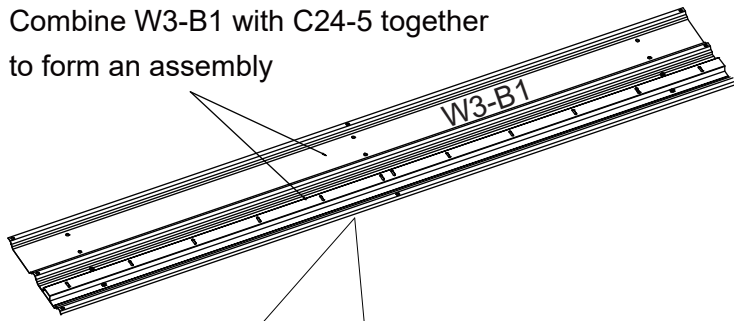
PART	NO.	QTY.
	W3-B	4
	F1	20
	F2	6







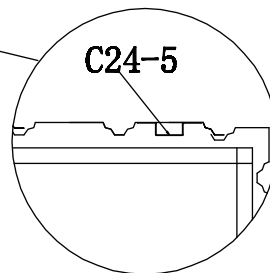
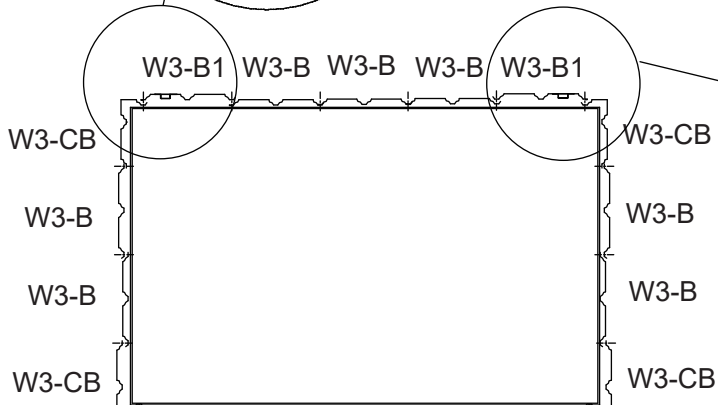
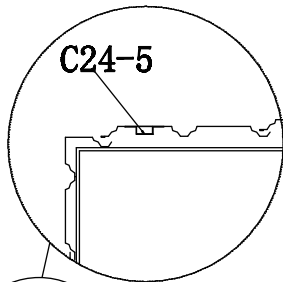
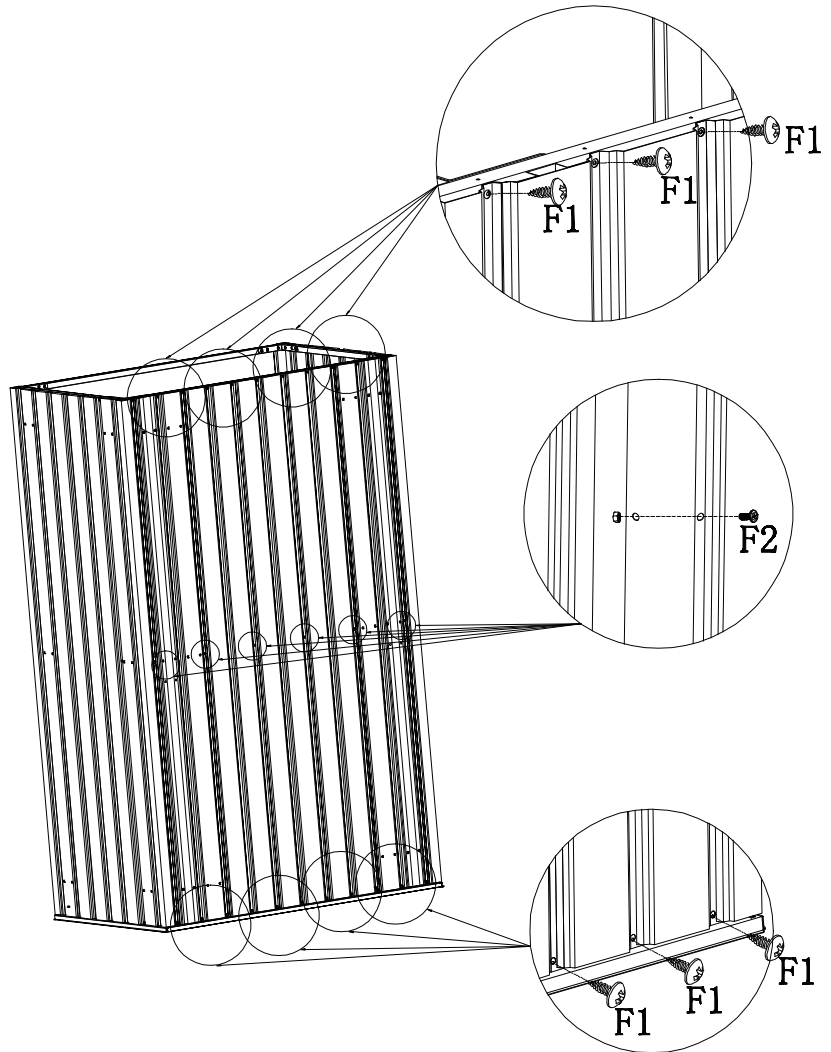
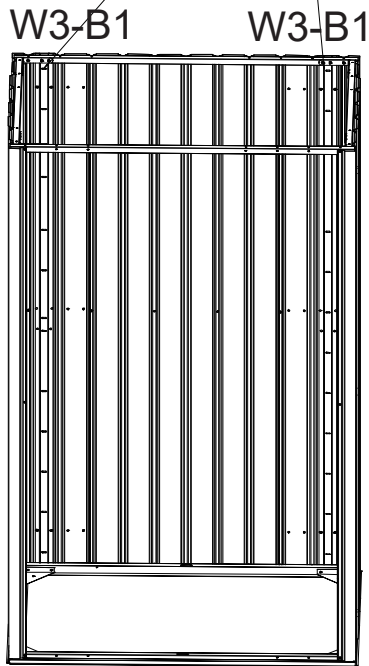
PART	NO.	QTY.
	W3-B1	2
	C24-5	2
	F2	8




Directly covering the excess parts of the left and right panels.

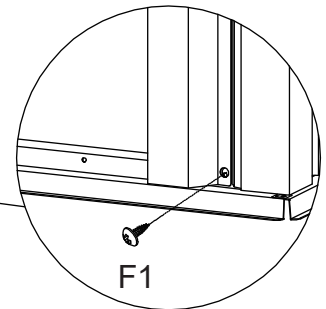
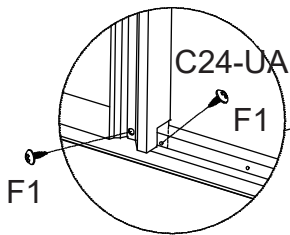
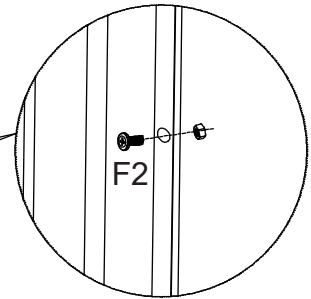
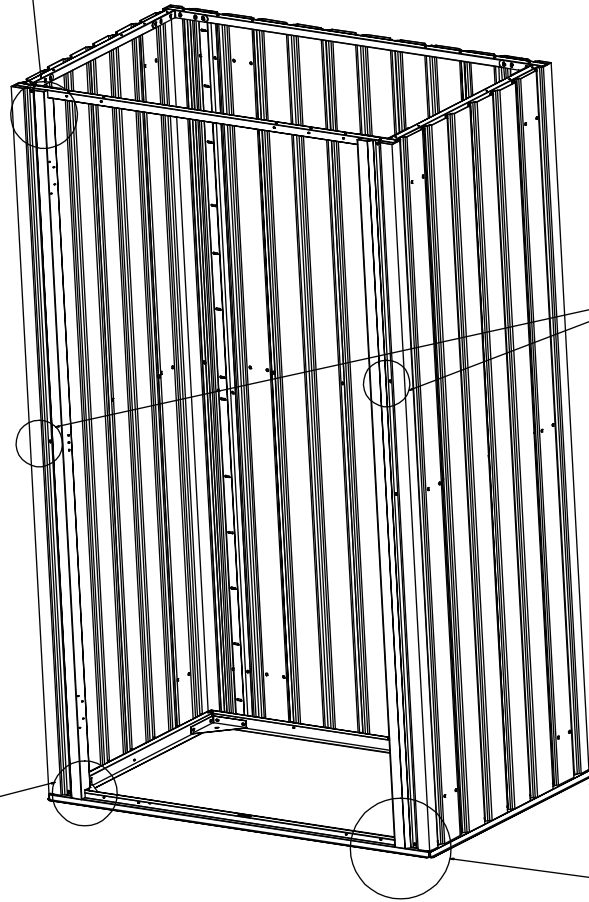
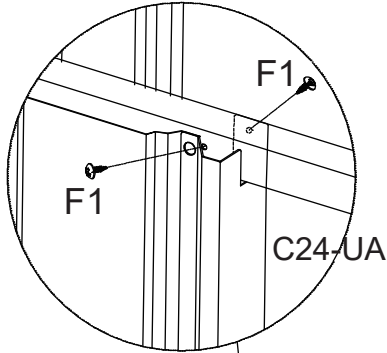
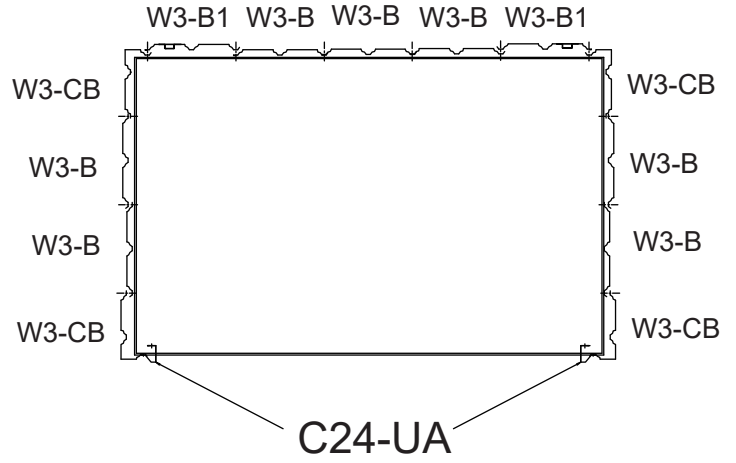
Combine W3-B1 with C24-5 together to form an assembly



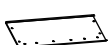




PART	NO.	QTY.
	W3-B	3
	The assembly of W3-B1 and C24-5	2
	F2	6
	F1	22

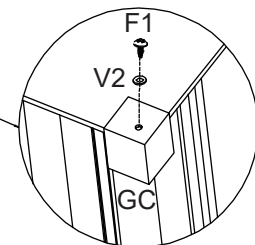
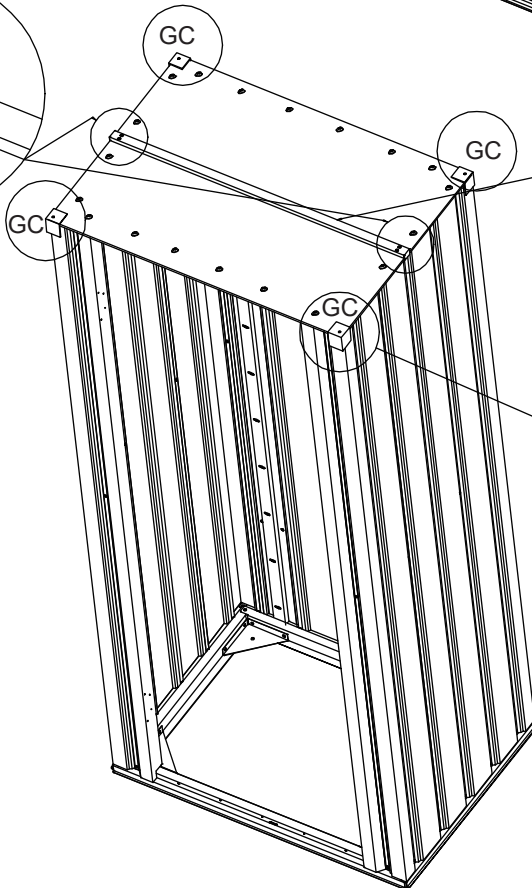
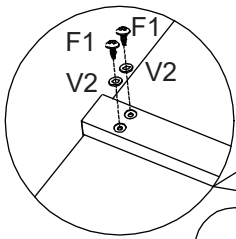
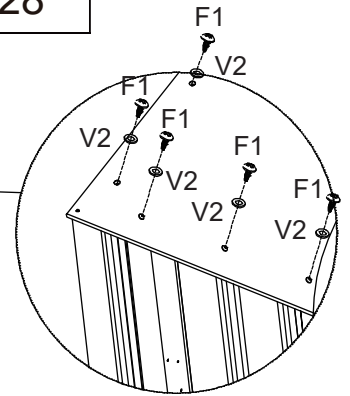
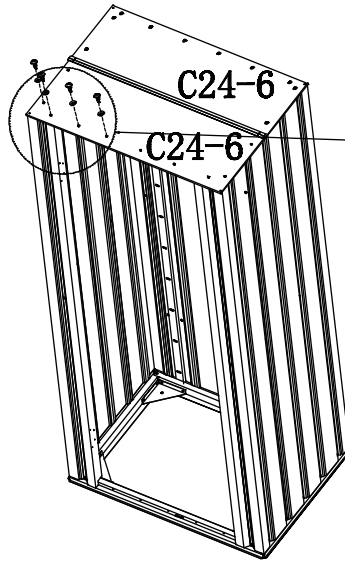
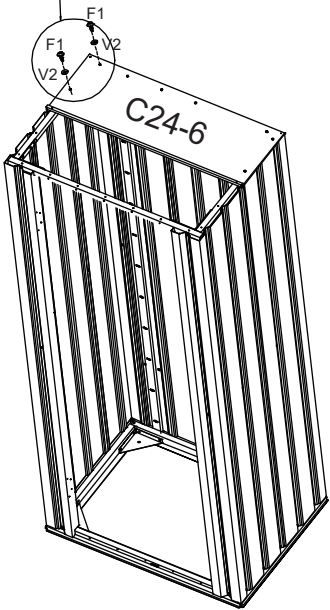
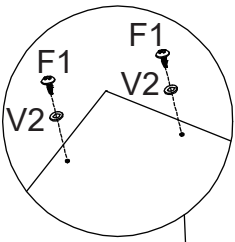






PART	NO.	QTY.
	C24-UA	2
	F1	8
	F2	2

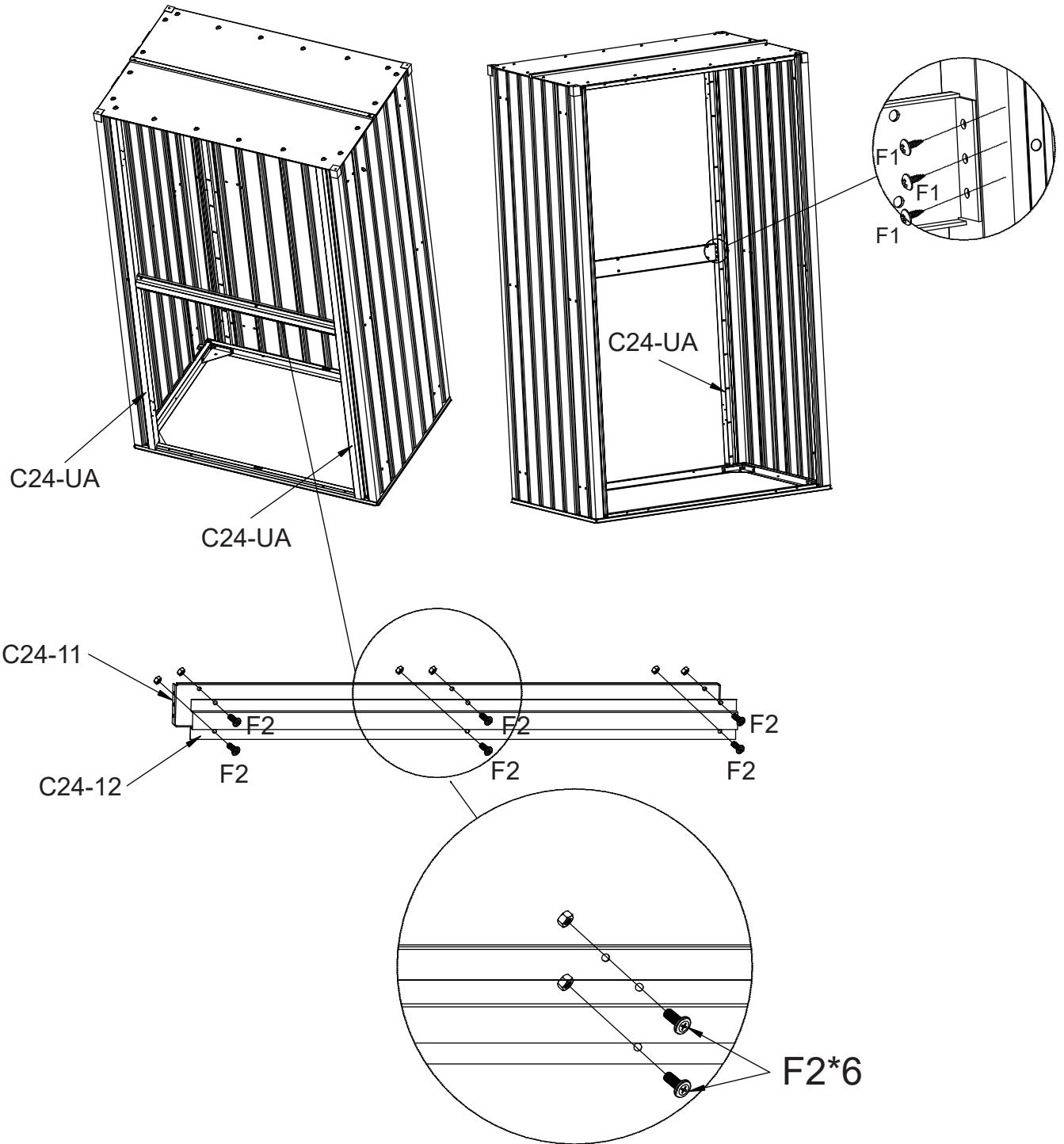


# Shed Top Panels Assemble

PART	NO.	QTY.
	C24-6	2
	C24-7	1
	GC	4
	F1	28
	V2	28

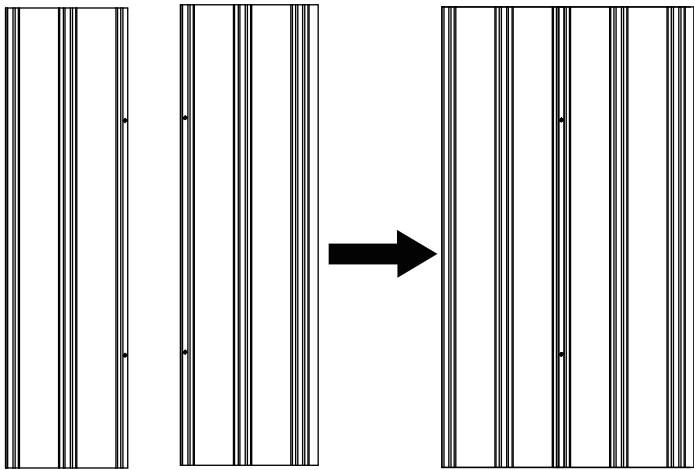


PART	NO.	QTY.
	C24-12	1
	C24-11	1
	F2	6
	F1	6

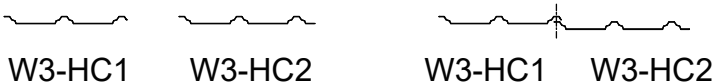


# Door Assemble

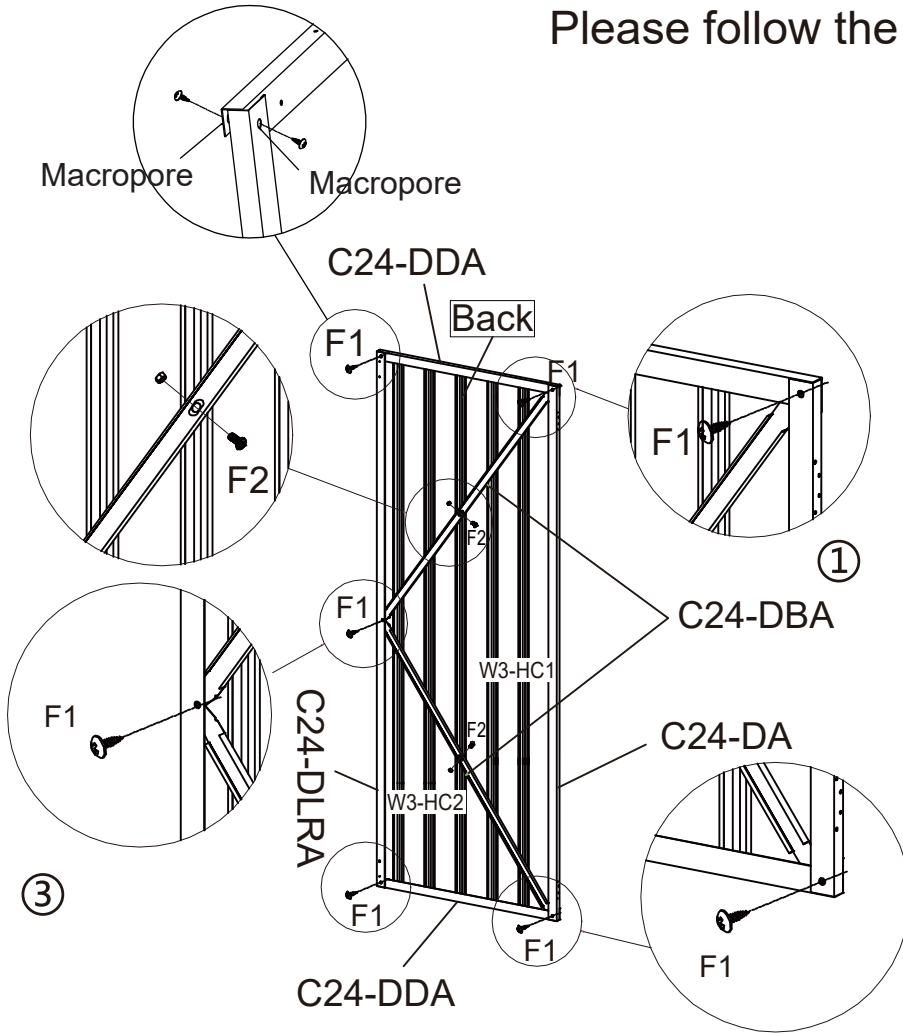
**DL**



PART	NO.	QTY.
	W3-HC2	1
	W3-HC1	1



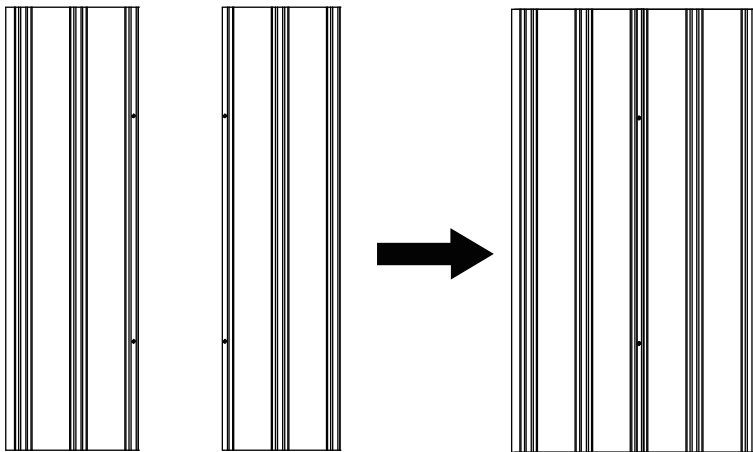
Please follow the steps ①-②-③ install.





PART	NO.	QTY
	C24-DA	1
	C24-DLRA	1
	C24-DDA	2
	C24-DBA	2
	F1	9
	F2	2

View from the front, the vertical rod covers the horizontal rod. The larger hole is always covered over the small hole.

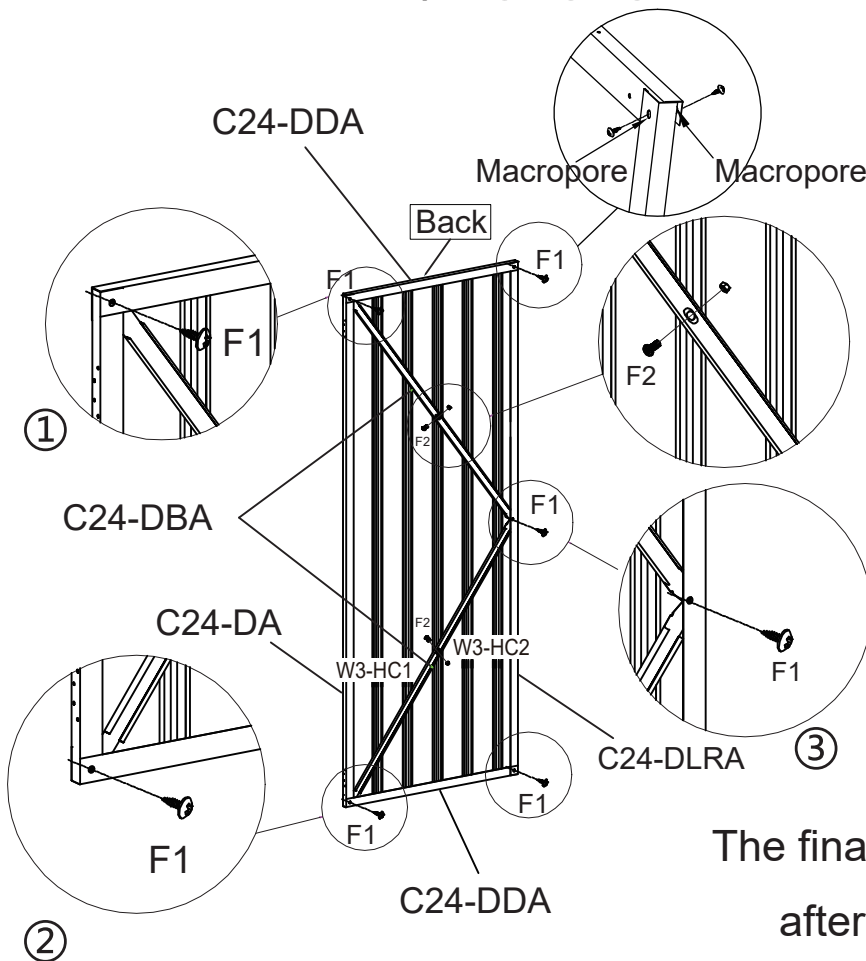
DR



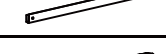





PART	NO.	QTY.
	W3-HC2	1
	W3-HC1	1




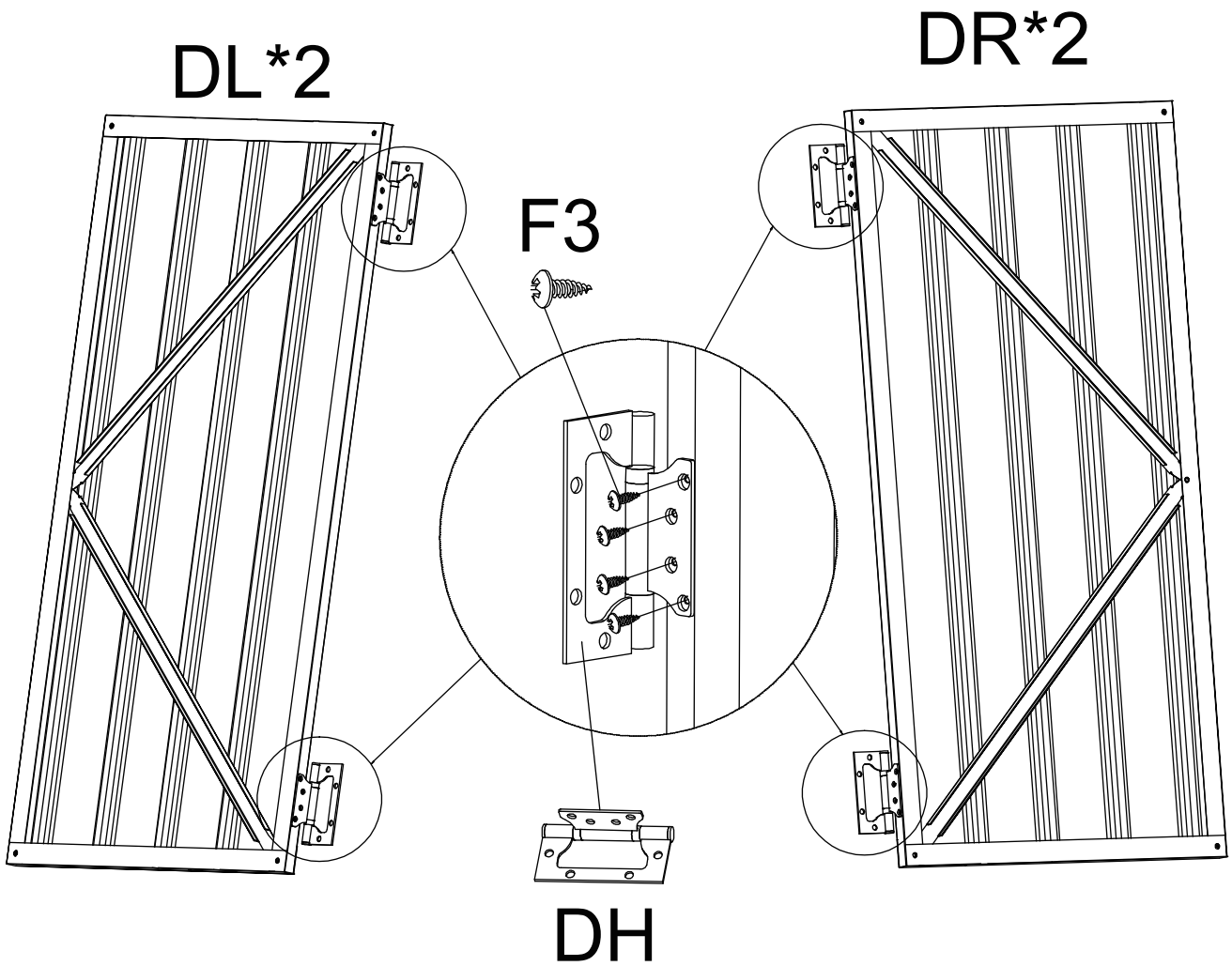
Please follow the steps ①-②-③ install.


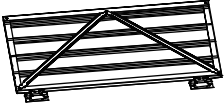
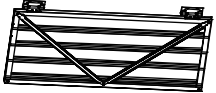


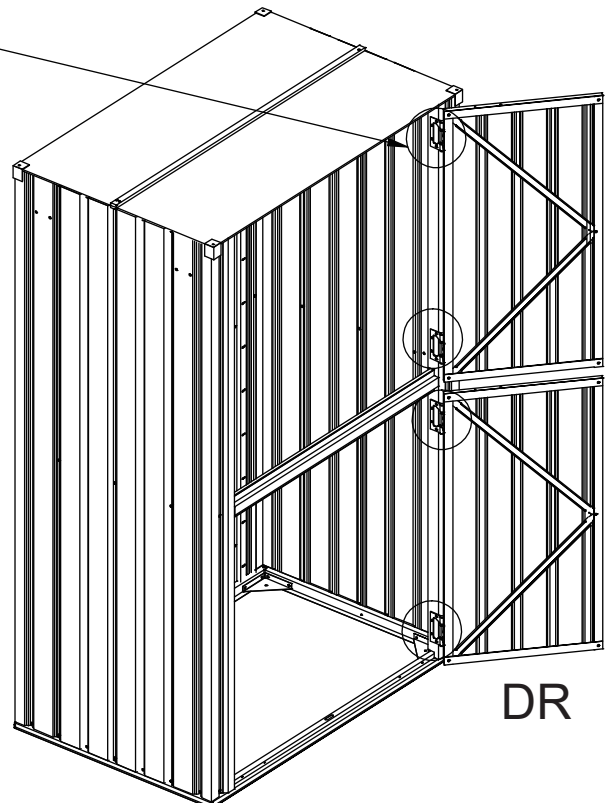
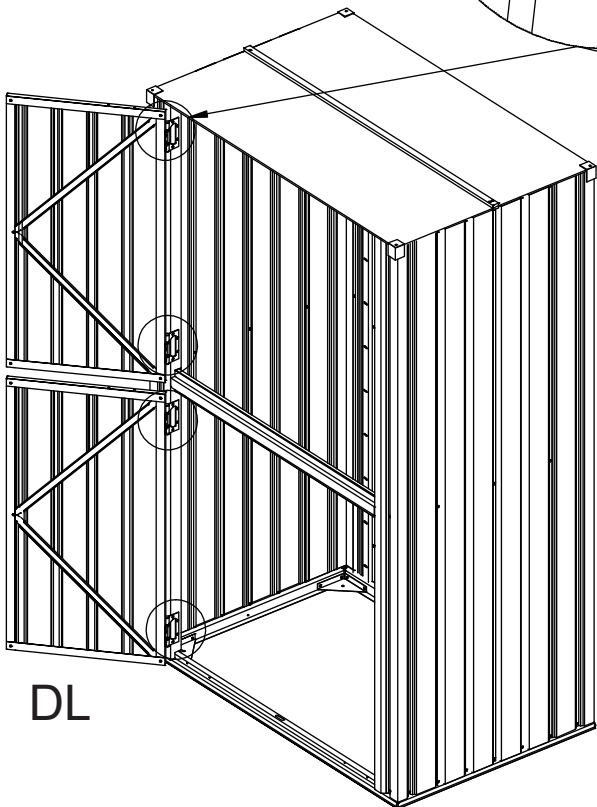
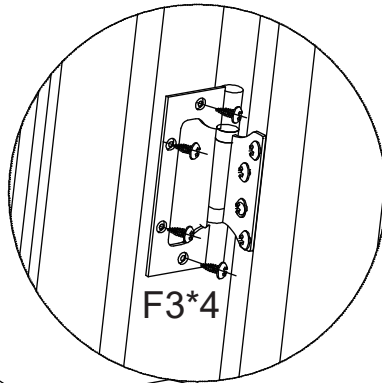
PART	NO.	QTY
	C24-DA	1
	C24-DLRA	1
	C24-DDA	2
	C24-DBA	2
	F1	9
	F2	2




The final fixation should be done after all parts are aligned.

PART	NO.	QTY.
	DH	8
	F3	32

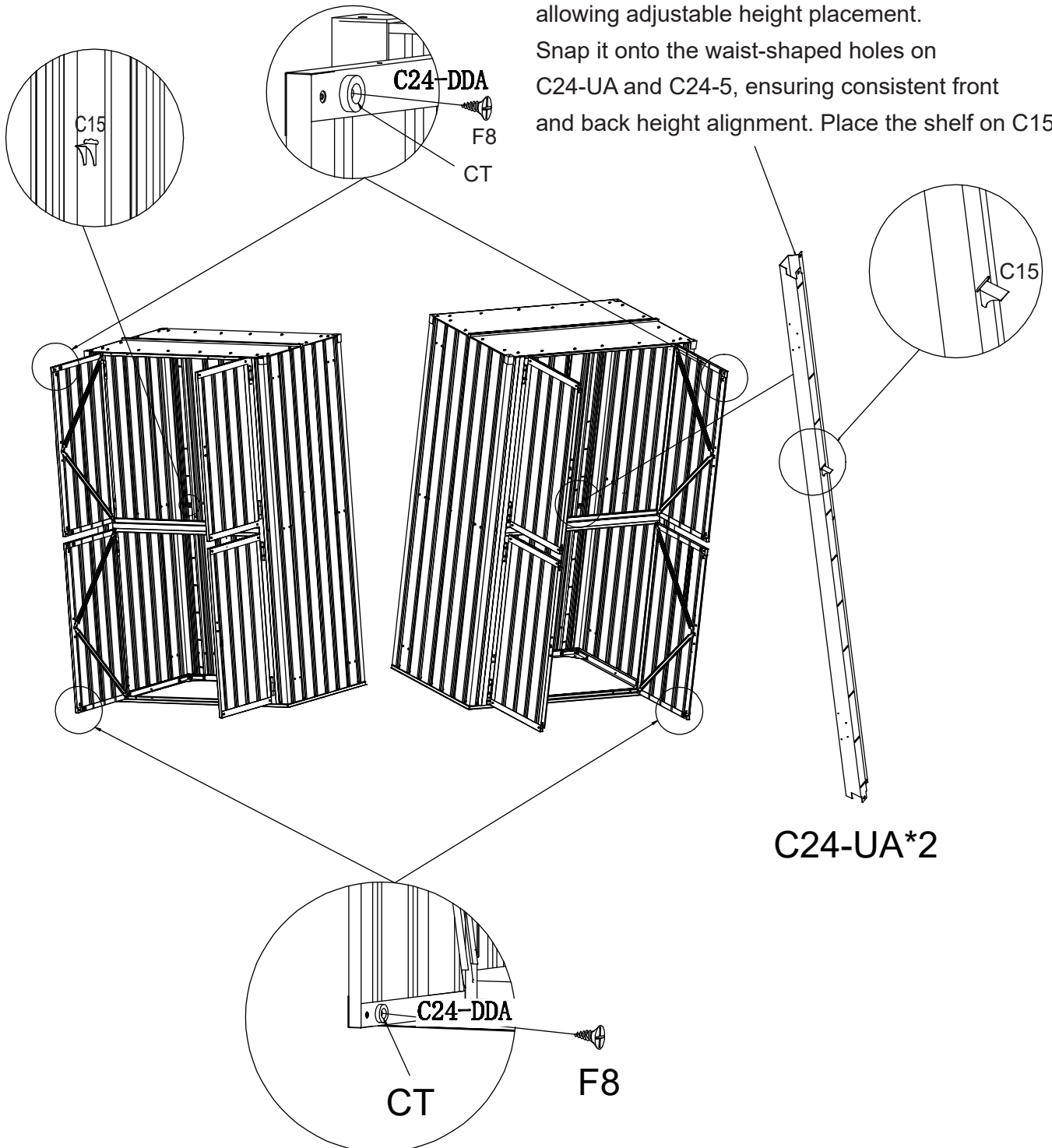


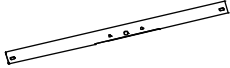

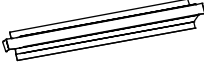
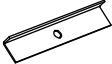
PART	NO.	QTY.
	F3	32
	DL	2
	DR	2

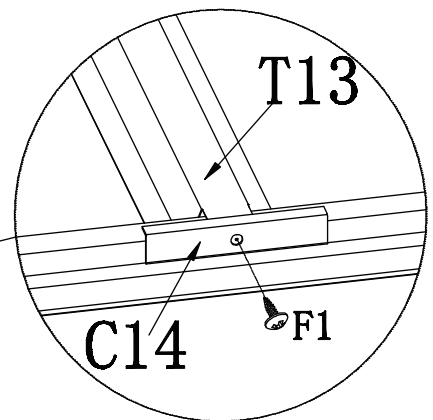
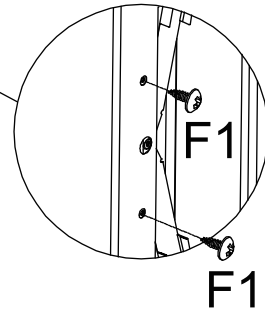
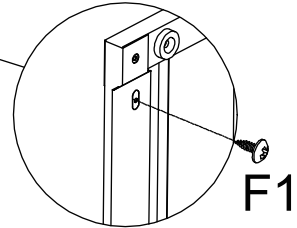
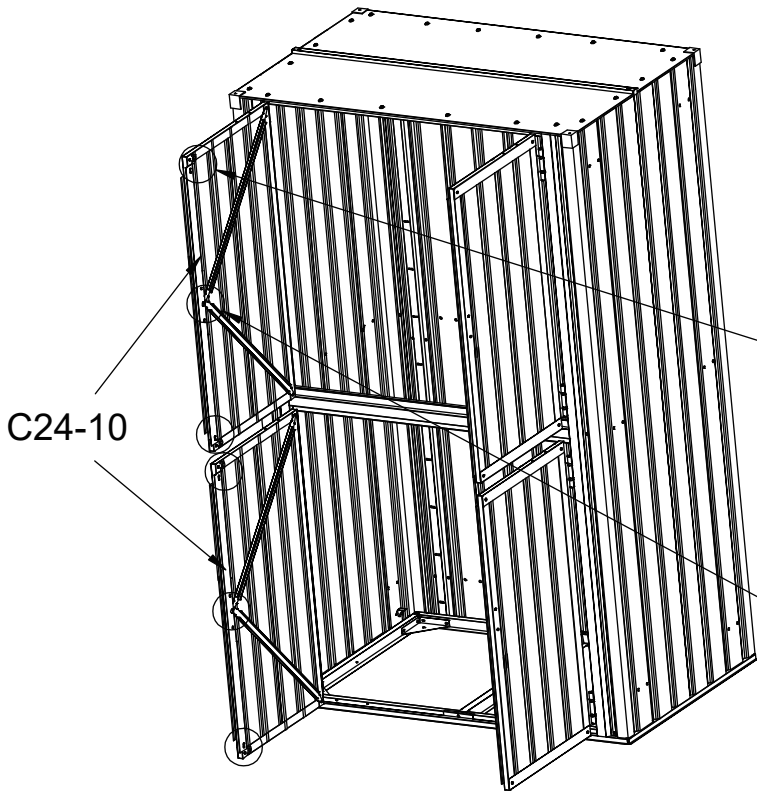


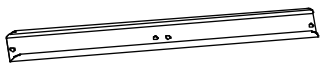

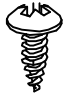
PART	NO.	QTY.
	C15	8
	CT	8
	F8	8

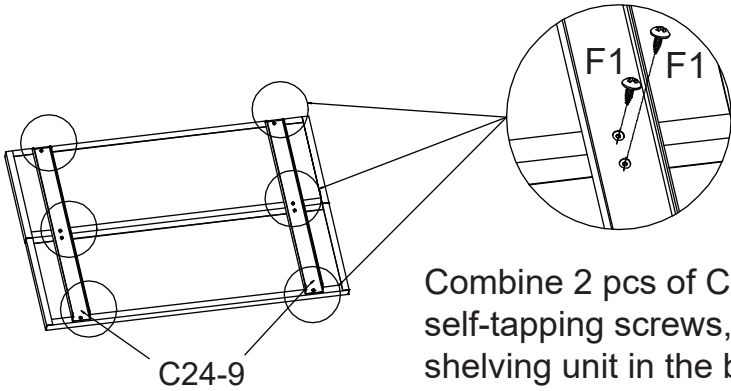
C15 functions as a shelf support bracket, allowing adjustable height placement. Snap it onto the waist-shaped holes on C24-UA and C24-5, ensuring consistent front and back height alignment. Place the shelf on C15.



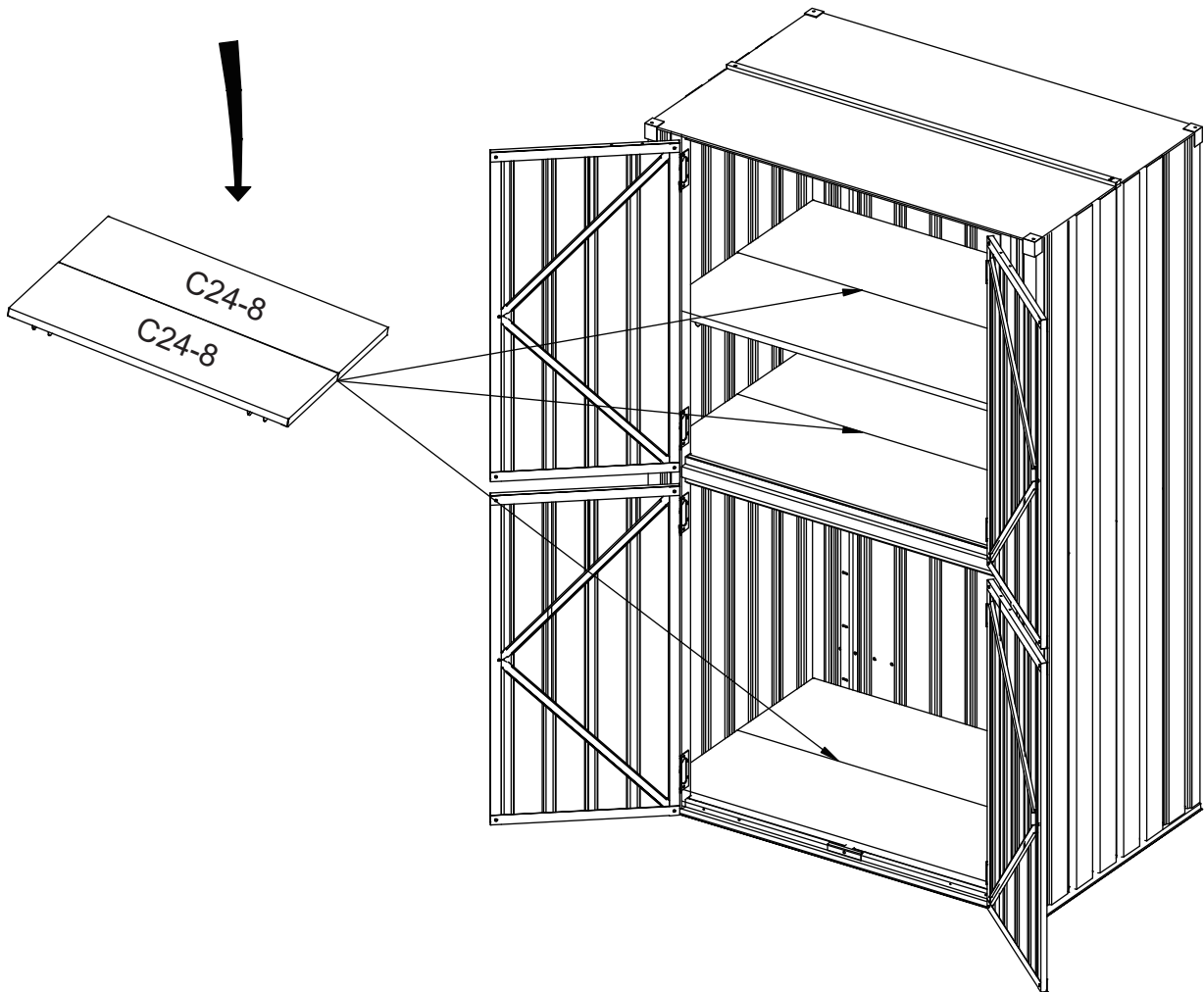
PART	NO.	QTY.
	C24-10	2
	F1	9
	T13	1
	C14	1

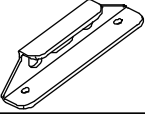



PART	NO.	QTY.
	C24-9	6
	C24-8	6
	F1	24



Combine 2 pcs of C24-8 with 2 pcs of C24-9 using F1 self-tapping screws, connecting them as the central shelving unit in the box



PART	NO.	QTY.
	GB	4
	F1	8

