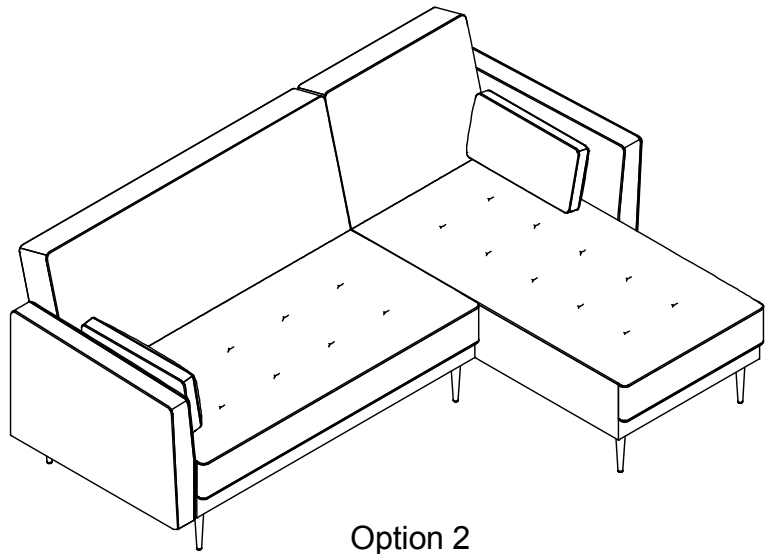
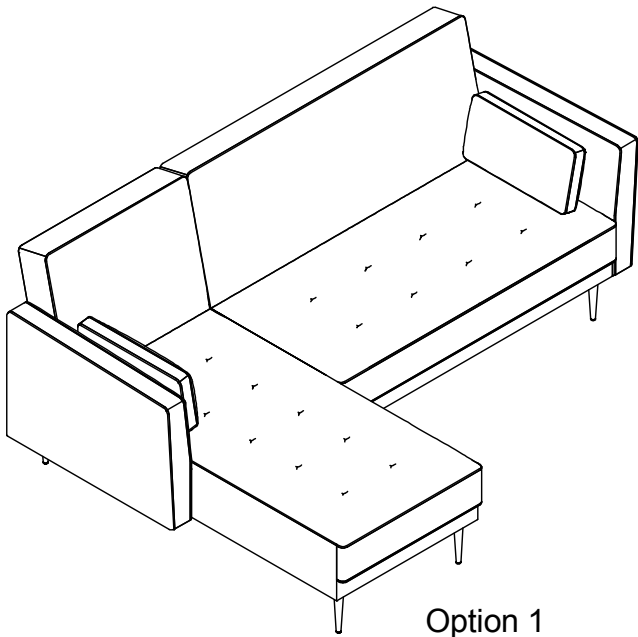


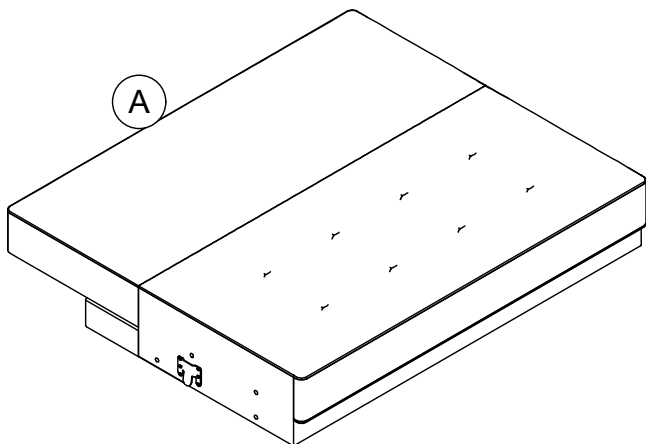
# Assembly Instruction



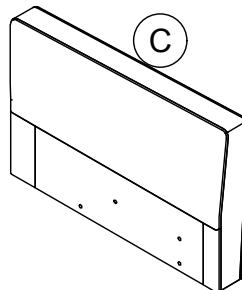
NOTE: There are 2 options for the chaise position. From Step 2 to Step 7, we will show you how to assemble Option 1.

If you intend to assemble Option 2, please start from Step 8 instead.

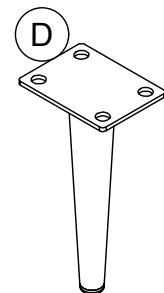
## PART - BOX 1



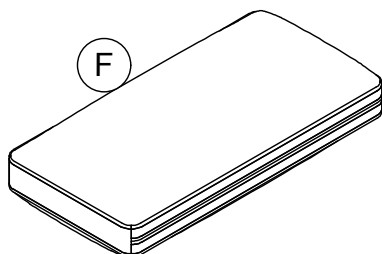
Loveseat X 1 PC



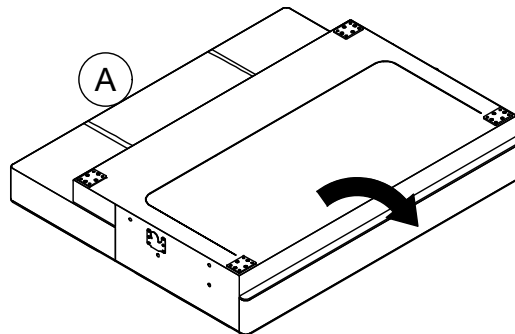
Arm X 1 PC



Leg X 8 PCS



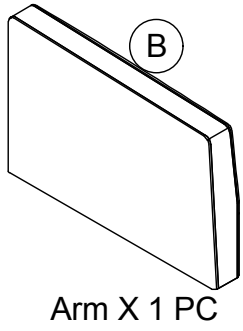
Side Cushion X 1 PC



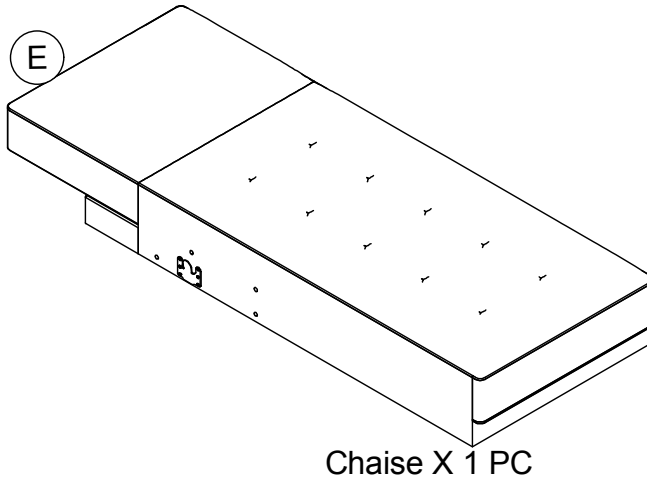
NOTE: This item is packed in 2 boxes!  
All parts listed on this page are in Box 1.  
If Box 2 is missing please contact your Retailer.

**!** Some parts will be found in the compartment under the seat as shown.

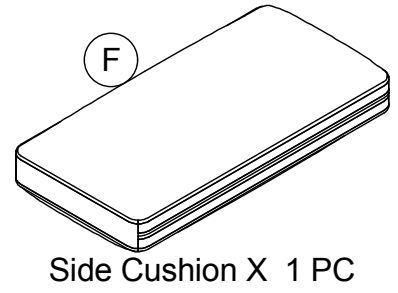
# PART - BOX 2



Arm X 1 PC

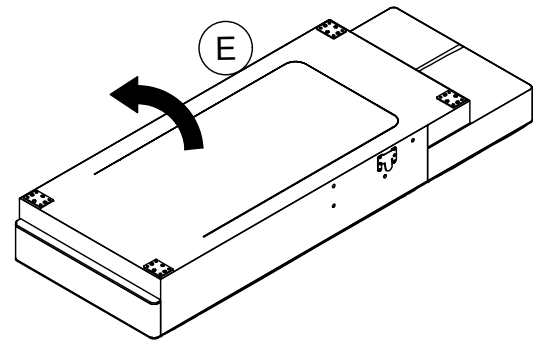


Chaise X 1 PC



Side Cushion X 1 PC

NOTE: This item is packed in 2 boxes!  
All parts listed on this page are in Box 2.  
If Box 1 is missing please contact your Retailer.

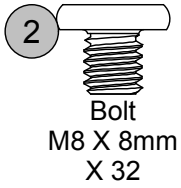


**!** Some parts will be found in the compartment under the seat as shown.

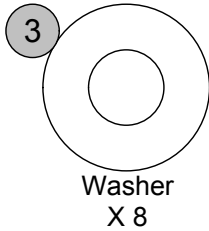
## HARDWARE PART (in box 1)



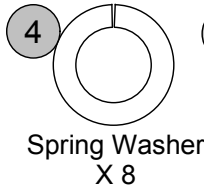
Stud  
5/16" X 120mm  
X 8



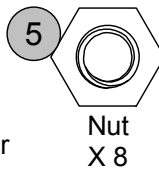
Bolt  
M8 X 8mm  
X 32



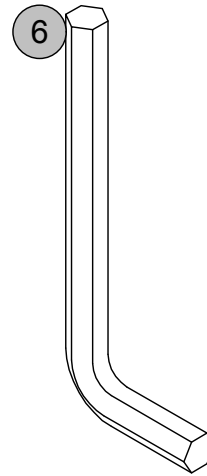
Washer  
X 8



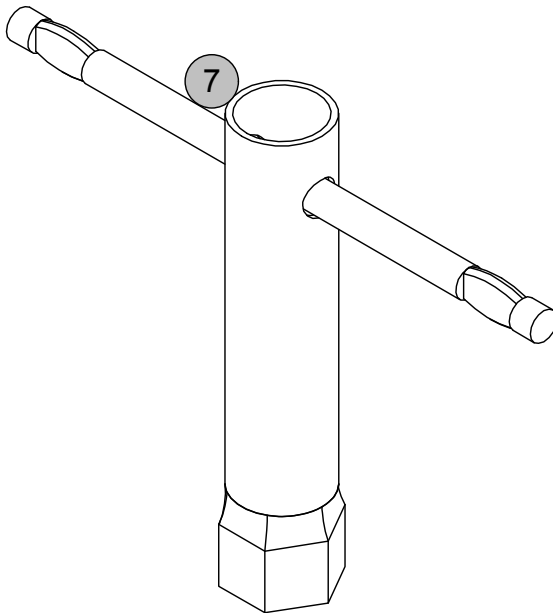
Spring Washer  
X 8



Nut  
X 8



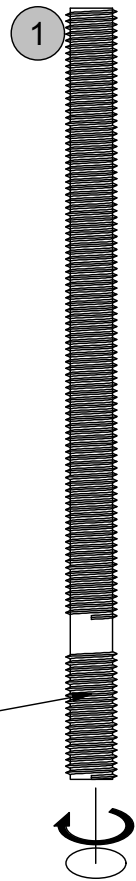
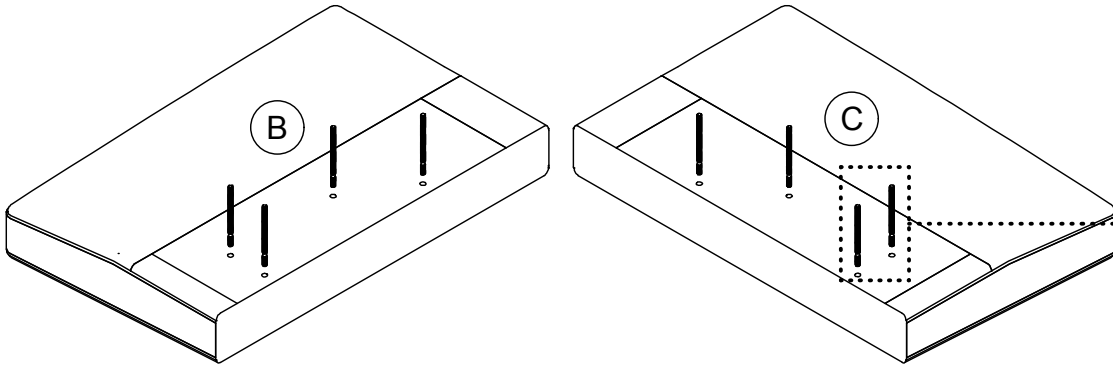
Allen Key 5mm  
X 1




Wrench  
X 1

**STEP 1:**

Hand tighten ① into B & C, as shown.



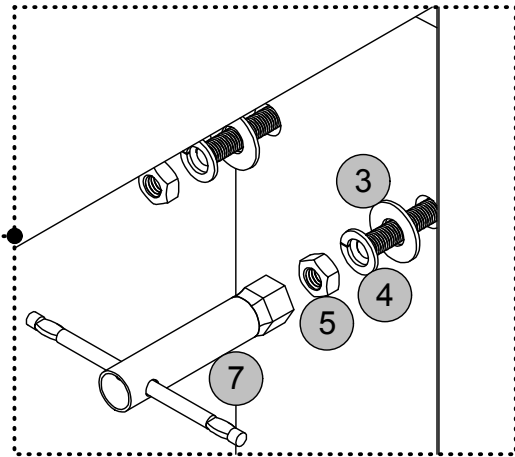
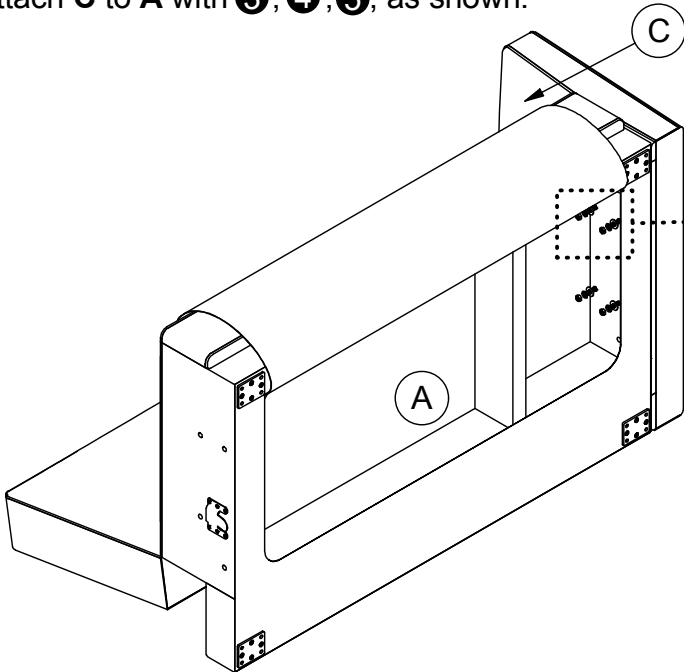
**Note:** Only screw in the  shortest threaded part of the Stud.

 There are 2 options for the chaise position. From Step 2 to Step 7, we will show you how to assemble Option 1.

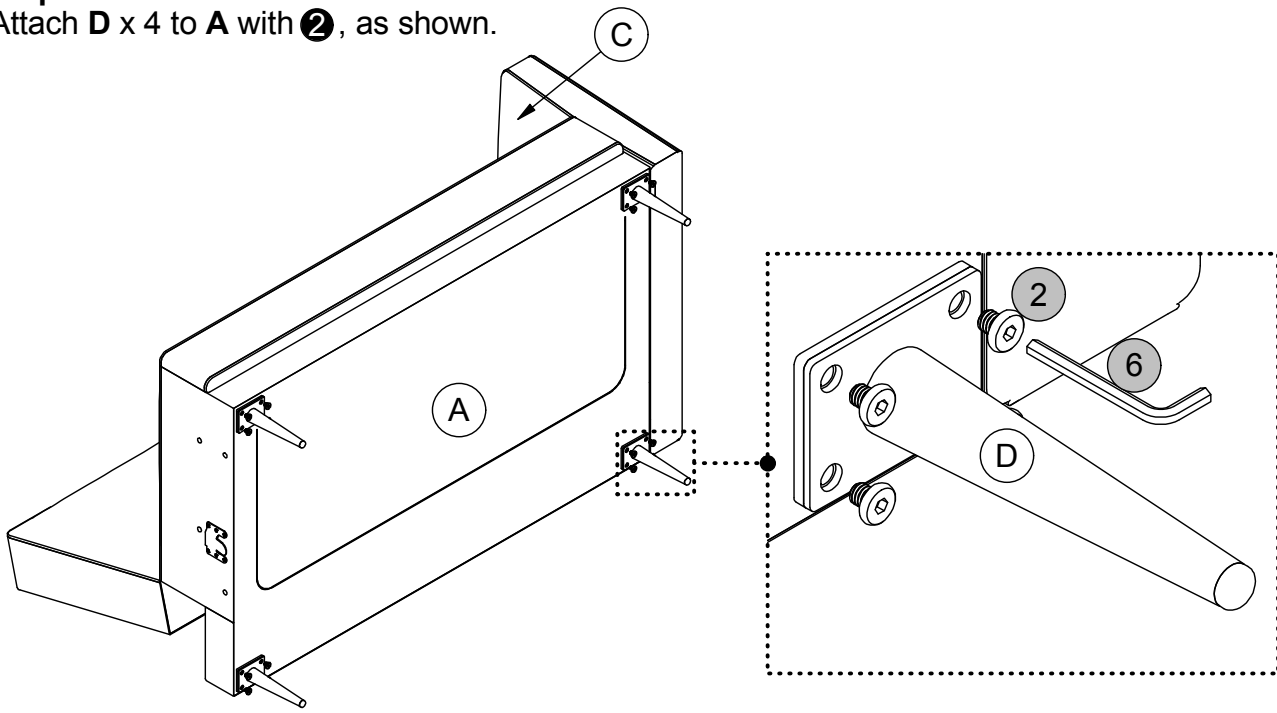
If you intend to assemble Option 2, please start from Step 8 instead.

**STEP 2:**

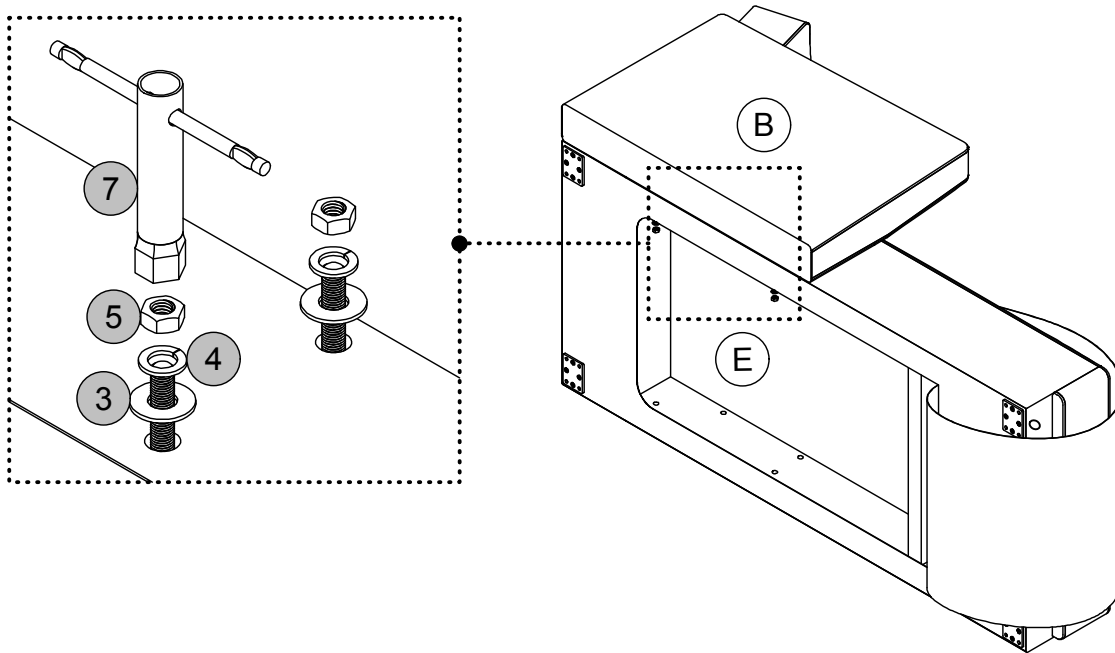
Attach C to A with ③, ④, ⑤, as shown.



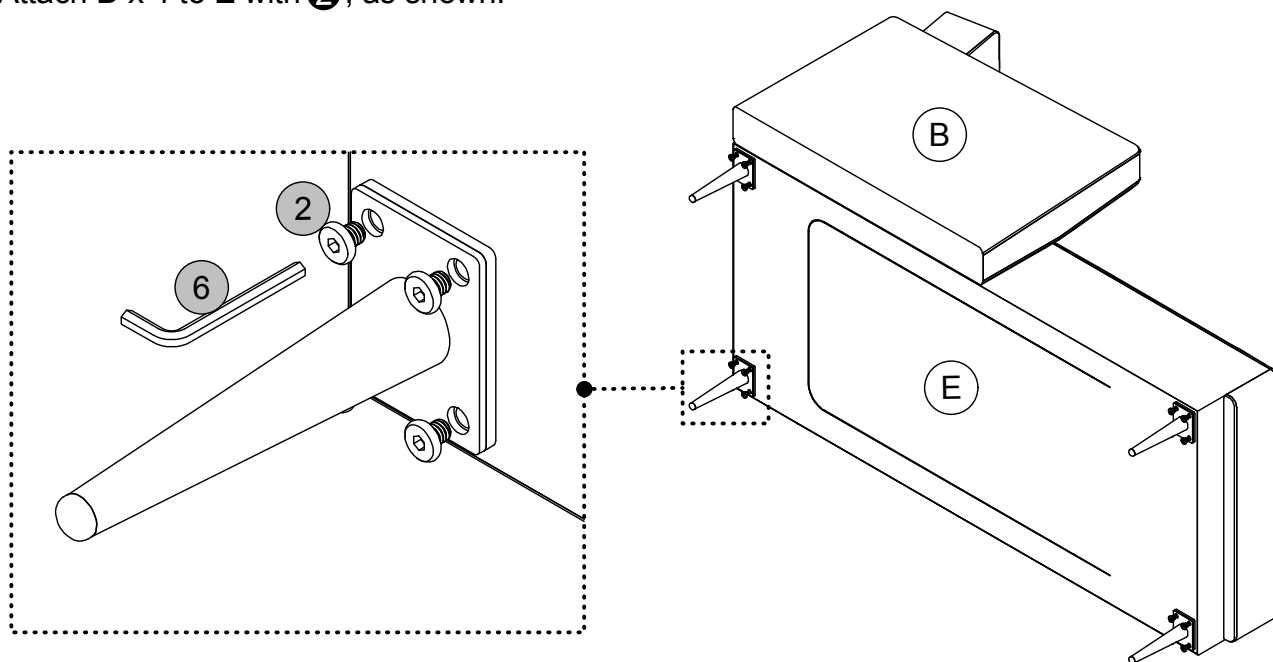
**Step 3:**  
Attach **D** x 4 to **A** with **2**, as shown.



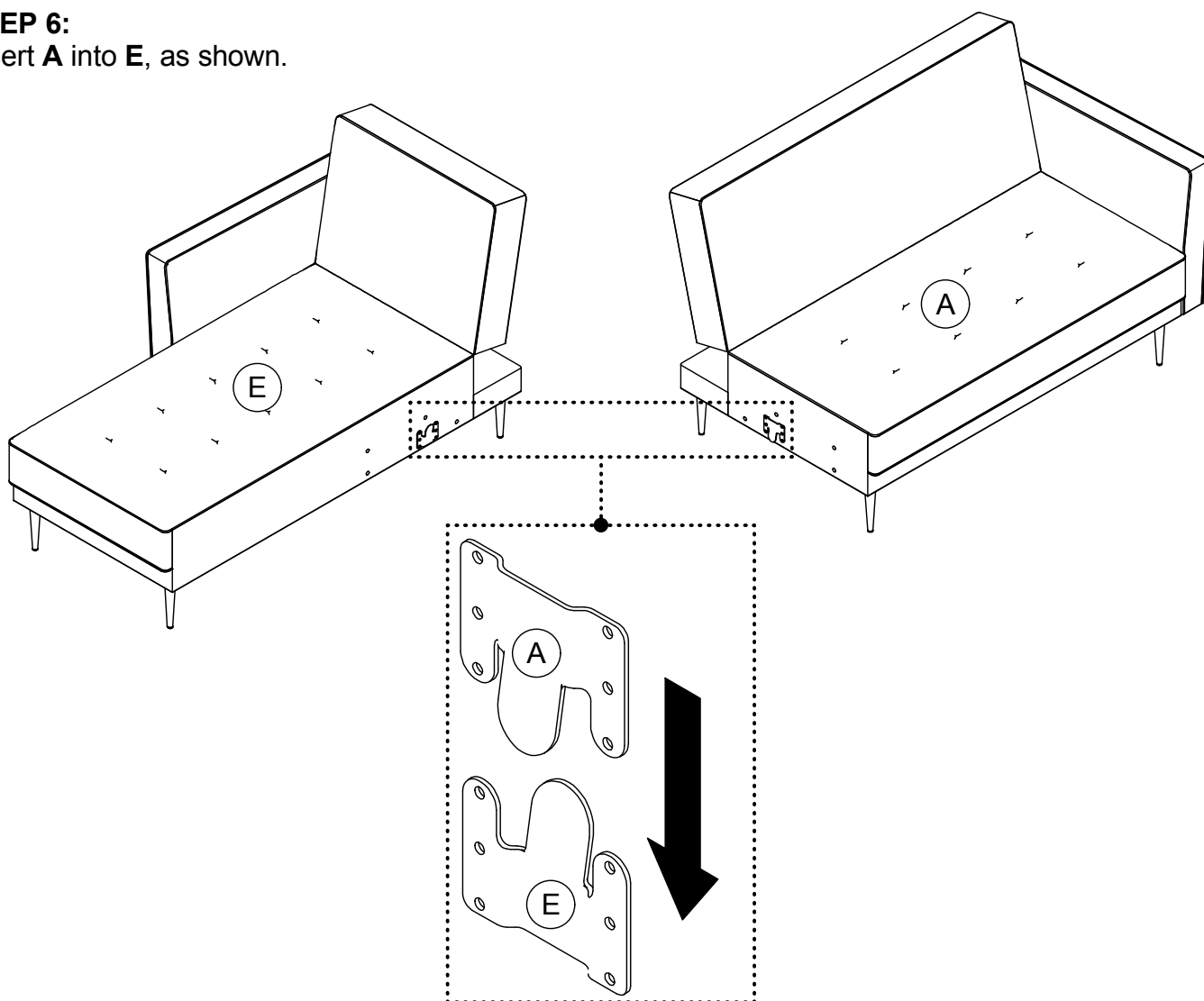
**STEP 4:**  
Attach **B** to **E** with **3**, **4**, **5**, as shown.



**Step 5:**  
Attach **D** x 4 to **E** with **2**, as shown.

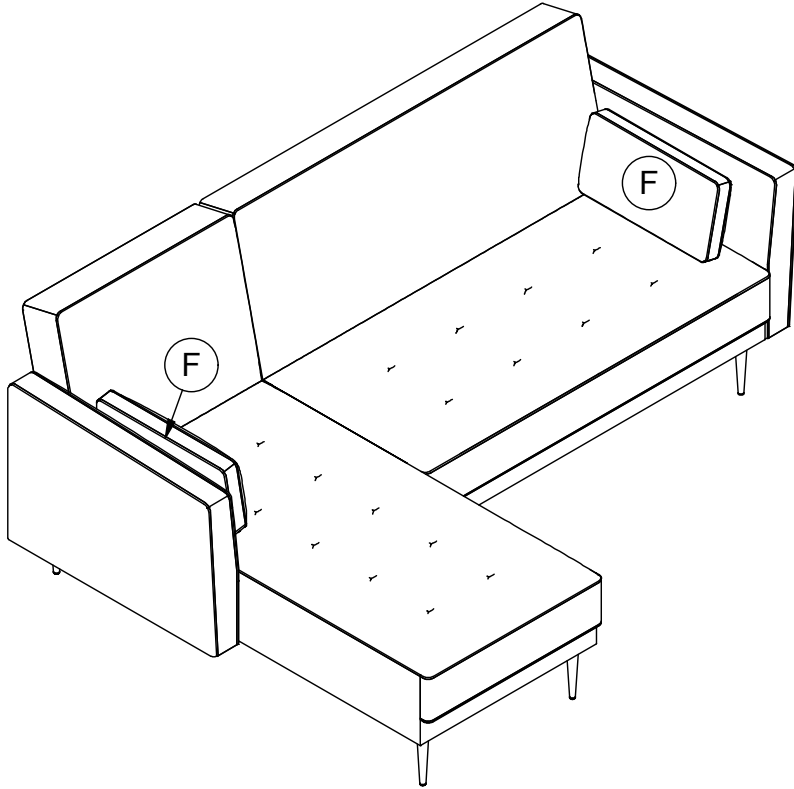


**STEP 6:**  
Insert **A** into **E**, as shown.



**STEP 7:**

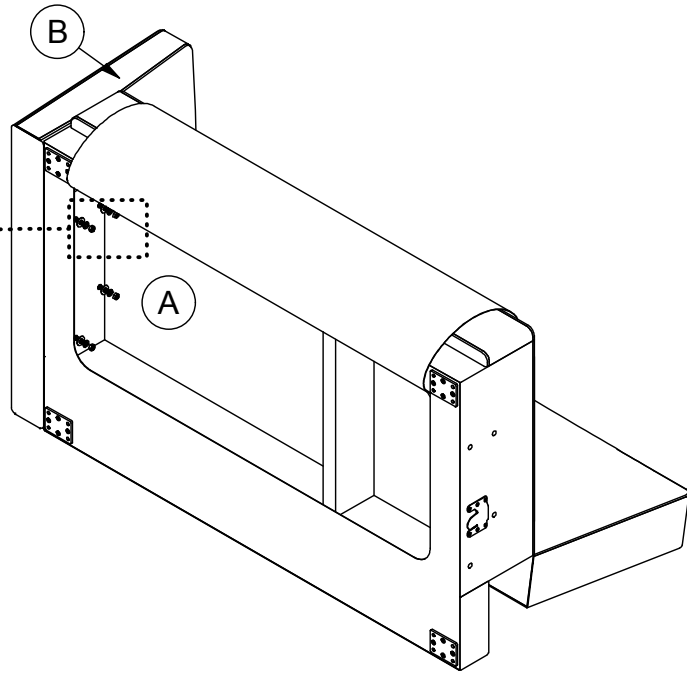
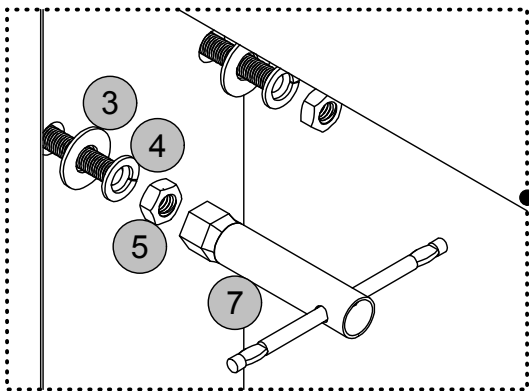
Put **F** x 2 onto seat, as shown.



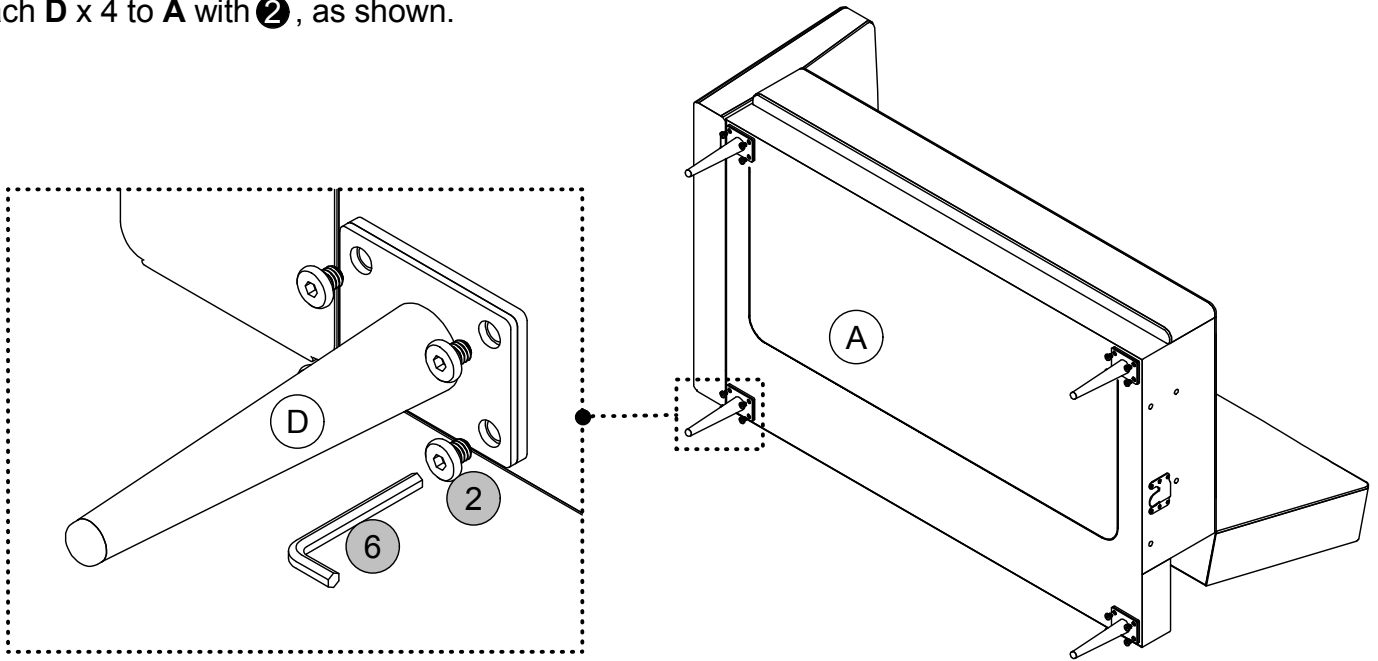
**⚠** *Assembly for Option 2.*

**STEP 8:**

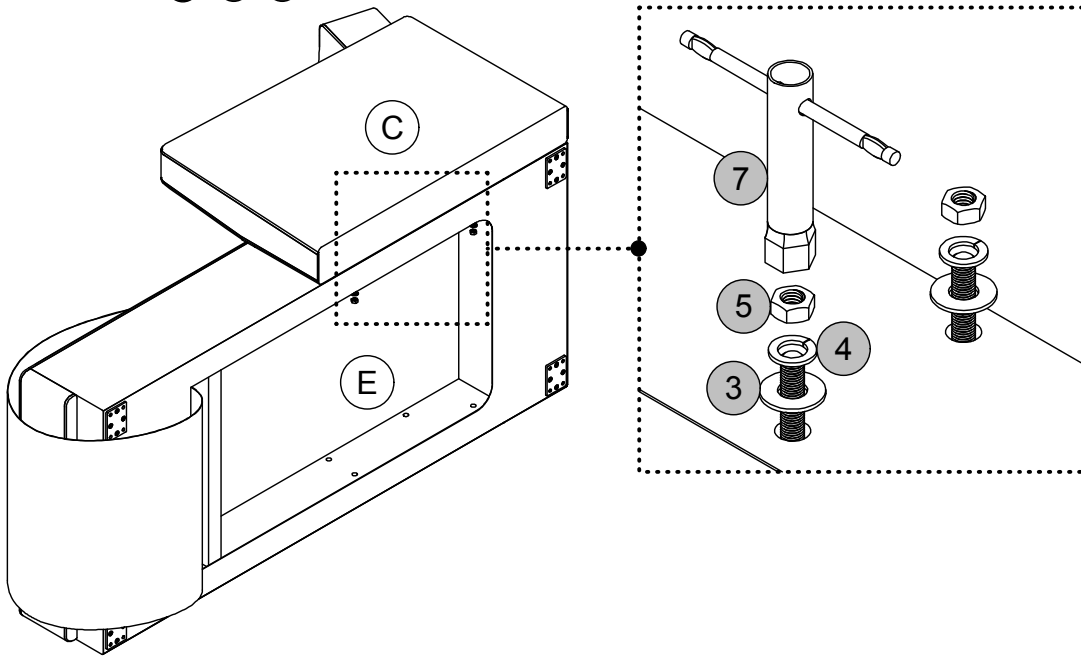
Attach **B** to **A** with **3**, **4**, **5**, as shown.



**Step 9:**  
Attach **D** x 4 to **A** with **2**, as shown.

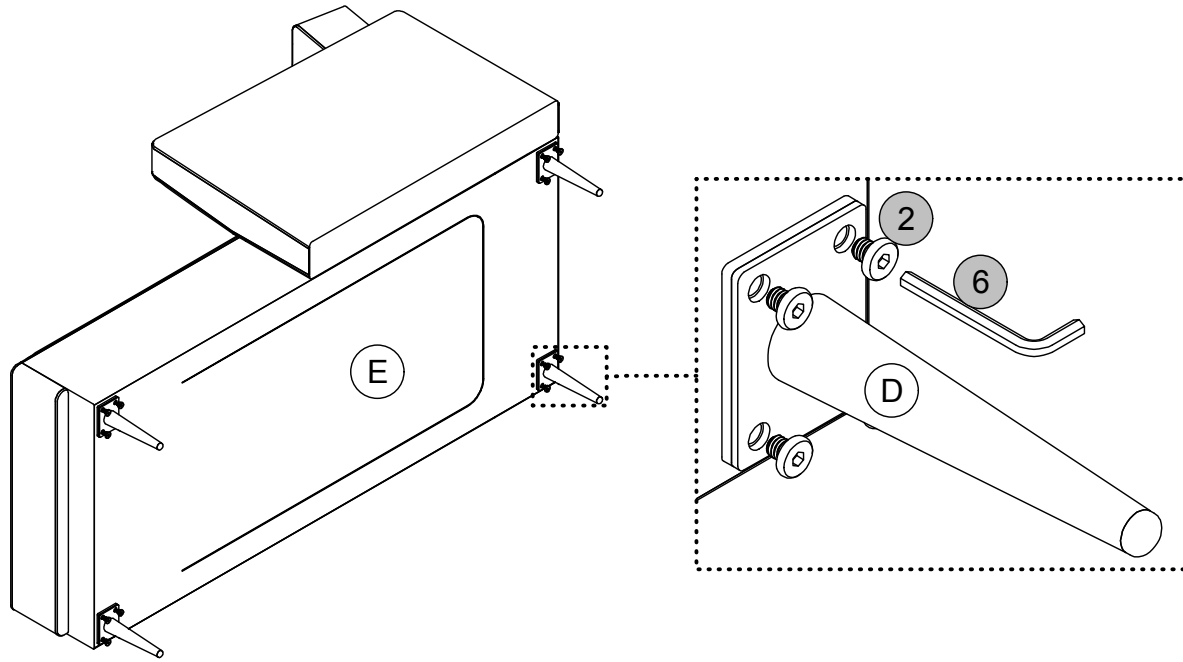


**STEP 10:**  
Attach **C** to **E** with **3**, **4**, **5**, as shown.



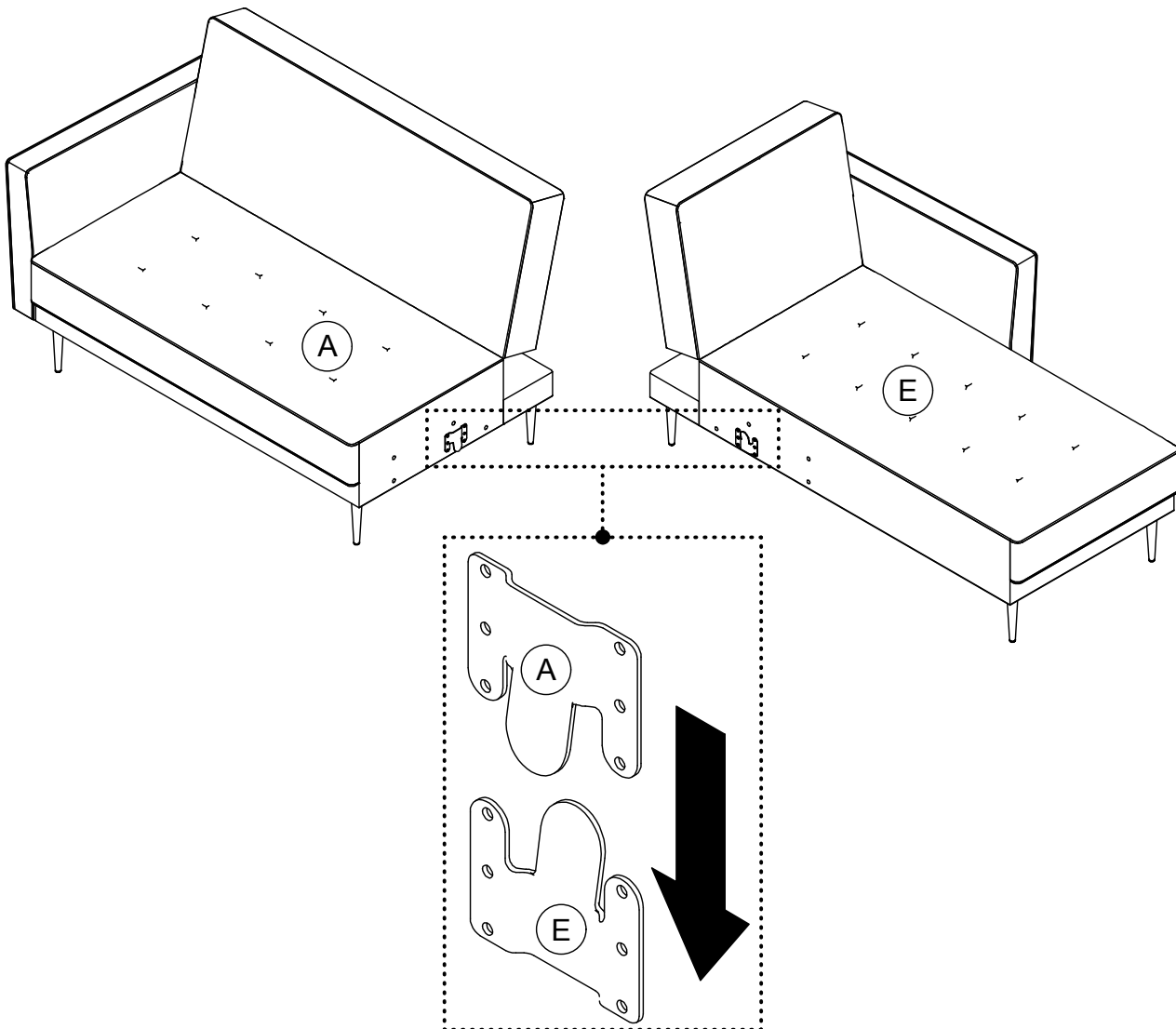
**Step 11:**

Attach **D** x 4 to **E** with **2**, as shown.



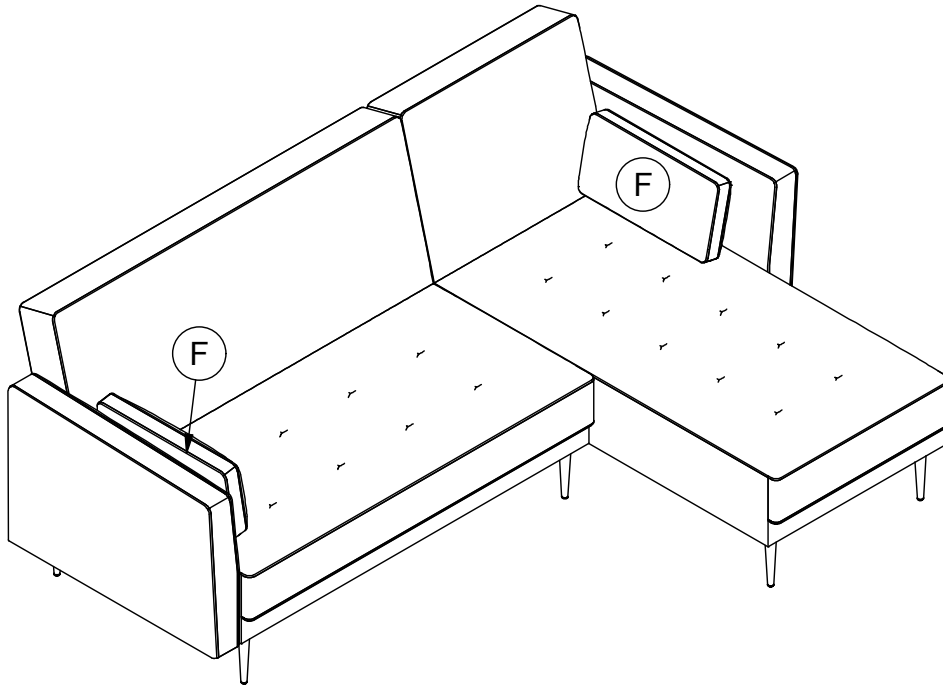
**STEP 12:**

Insert **A** into **E**, as shown.



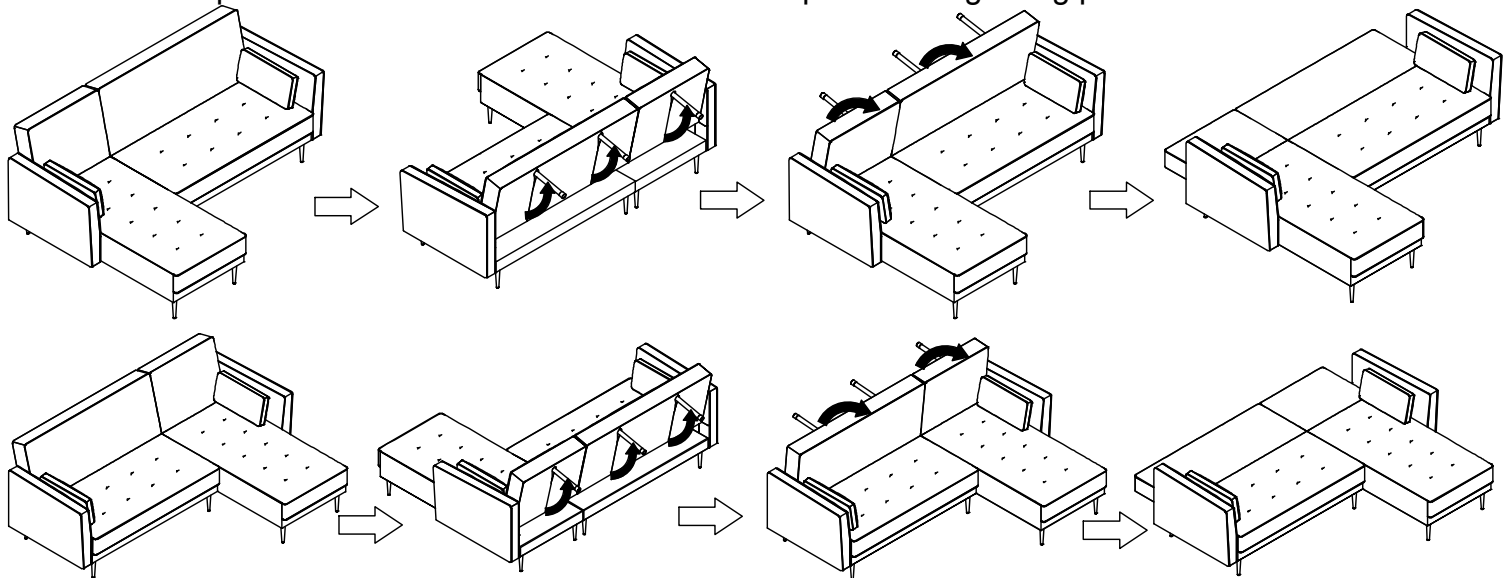
### STEP 13:

Put **F** x 2 onto seat, as shown.



## Important Notes:

- Your sofa can transform between a Sofa and a Bed. The support legs must be fully extended when it is in Bed position.
- Move your new furniture carefully, with two people lifting and carrying the unit to its new location.
- Your furniture can be disassembled and reassembled to move. Do not use power drills to assemble/disassemble.
- Clean the product with a soft damp cloth. DO NOT use harsh chemicals or abrasive cleaners.
- Some parts have been pre-assembled for this item. They are illustrated on this page and available for replacement. Please contact the retailer for questions regarding parts or the item.



Use both Support legs in Bed position, as shown:

- Locate support legs behind backrest
- Pull out support legs until fully extended and locked into position
- Support legs may be stowed away behind backrest when not in use.