

Thank you for purchasing Integrated LED Lighting Fixtures!

TROUBLESHOOTING:

- Check that line voltage at fixture is correct.
- Ensure that there is voltage at lamp fixture wires. If there is no voltage, then check all connections.
- Check that fixture is grounded properly.

If fixture does not light:

- Check switch to ensure that there are no defects.
- Check fuse/circuit breaker for trips, then check wiring connections.

CLEANING AND MAINTENANCE:

CAUTION: Ensure fixture temperature is cool enough to touch. DO NOT clean or perform maintenance while fixture is energized.

- Clean lens and fixture with non-abrasive cleaning solution.
- Do not open fixture to clean LED. Do not touch the LED.
- Do not spray liquid directly on to LED, LED driver or wiring.

Please read carefully before installing fixture.

Save these instructions, as you may need them at a later date.

Please follow the following steps for installation. →

CANDLE LED GLASS VANITY/WALL LIGHT

INSTALLATION INSTRUCTIONS

WARNINGS:



Turn power off before installation, inspection, or removal. Use all necessary precautions while performing this procedure.



Consult a qualified electrician to ensure correct branch circuit conductor. Min 90°C supply conductors.



Properly ground electrical enclosure. IT IS IMPERATIVE THAT THE OUTLET BOX BE PROPERLY GROUNDED.



DO NOT REVERSE THE HOT AND NEUTRAL CONNECTIONS, OTHERWISE SAFETY WILL BE COMPROMISED.



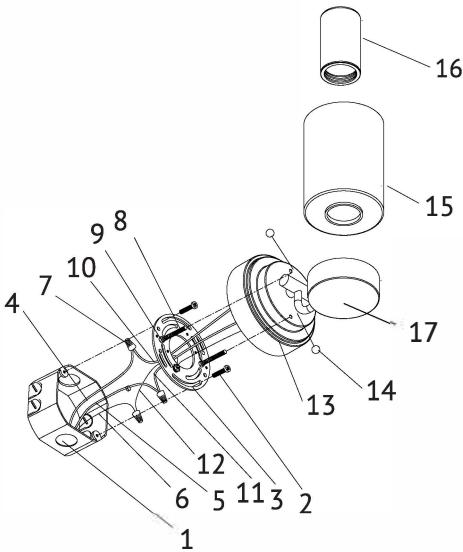
This Integrated LED Fixture™ has no lamp/bulb to replace.

GENERAL: All electrical connections must be in accordance with local and National Electrical Code (N.E.C.) standards. If you are unfamiliar with proper electrical wiring connections, contact and obtain the services of a qualified electrician. Use UL or IEC approved wire only for input/output connections.

Remove fixture and mounting components from the box, and make sure that no parts are missing, by referencing the illustration in the illustration instructions.

DIMMING: This product is compatible with most common residential type dimmers. Dimming performance will depend upon dimmer, dimmer settings (dimmers with adjustments to brightness range), wiring method, and number of LED modules. For best results, set dimmer position at maximum before adjusting to a lower light level.

Figure 1



1. OUTLET BOX (NOT INCLUDED)
2. MOUNTING SCREWS
3. MOUNTING BRACKET
4. WHITE SUPPLY WIRE
5. BLACK SUPPLY WIRE
6. SUPPLY GROUND WIRE
7. WIRE NUTS
8. #8-32 FIXTURE SCREW
9. #8-32 HEX NUTS
10. WHITE FIXTURE WIRE
11. BLACK FIXTURE WIRE
12. FIXTURE GROUND WIRE
13. FIXTURE BASE
14. CAP NUT
15. GLASS SHADE
16. RETAINING RING
17. SOCKET CUP

- 1 SHUT OFF MAIN ELECTRICAL SUPPLY FROM THE MAIN FUSE BOX/CIRCUIT BREAKER!
- 2 Remove contents from box. Ensure that no parts are missing. Reference the illustration included with this instruction manual.
- 3 Attach the #8-32 FIXTURE SCREWS (8) to the MOUNTING BRACKET (3).
- 4 Place the #8-32 HEX NUTS (9) onto the #8-32 FIXTURE SCREWS (8). Do not tighten the #8-32 HEX NUTS (9) at this time.
- 5 Locate the BLACK AND WHITE SUPPLY WIRES (4 Et 5) and the SUPPLY GROUND WIRE (6), and remove them from the OUTLET BOX (1).
- 6 Make the following wire connections (Fig.1), using the provided WIRE NUTS (7):
WHITE (-) SUPPLY WIRE (4) TO WHITE FIXTURE WIRE (10)
BLACK (+) SUPPLY WIRE (5) TO BLACK FIXTURE WIRE (11)
SUPPLY GROUND WIRE (6) TO FIXTURE GROUND WIRE (12)
If necessary, wrap all wire connections in electrical tape to ensure secure connection.
- 7 Carefully tuck all wiring back into the OUTLET BOX (1).

8 Attach the MOUNTING BRACKET (3) to the OUTLET BOX (1) using the holes on the MOUNTING BRACKET (3) and the provided MOUNTING SCREWS (2).

9 Align the FIXTURE BASE (13) over the OUTLET BOX (1) making sure that the #8-32 FIXTURE SCREWS (8) can be threaded through the appropriate holes.

10 Thread the #8-32 SCREWS (8) so that they protrude out of the FIXTURE BASE (13) 1/4".

11 Secure the position of the #8-32 MOUNTING SCREWS (8) by tightening the #8-32 HEX NUTS (9) against the MOUNTING BRACKET (3).

12 Secure the FIXTURE BASE (13) into place using the two provided CAP NUTS (14), and tighten until secure.

13 Slide the GLASS SHADE (15) over the socket and onto the SOCKET CUP (17). Secure the GLASS SHADE (15) to the SOCKET CUP (17) using the RETAINING RING (15).

14 Restore power at fuse box/circuit breaker. Check operation of Integrated LED fixture™

15 Installation complete.

5-YEAR LIMITED WARRANTY

LIMITED WARRANTY: This fixture is warranted to be free from defects in workmanship and material for up to 5-years. Based upon reasonable household usage, when used in accordance with package and included instructions.

This device complies with Part 15 of the Rules and has been tested and found to comply with the limits for Class B digital device. Operation is subject to the following two conditions: (1) this device may not cause harmful interference, and (2) this device must accept any interference received, including interference that may cause undesired operation. Any changes or modifications not expressly approved by manufacturer could void user's authority to operate the equipment.