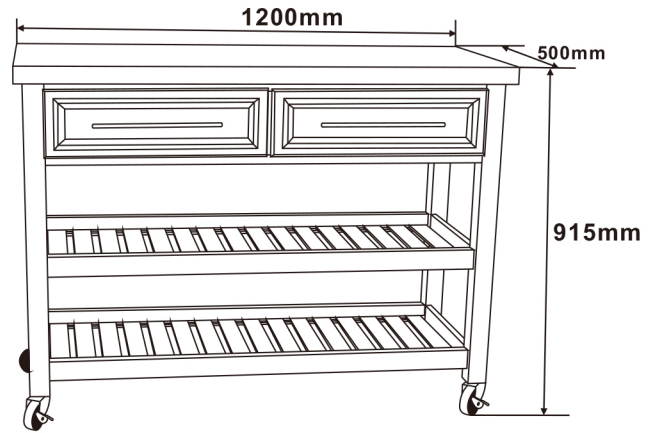
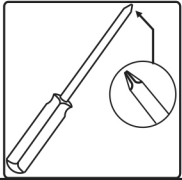


ASSEMBLY INSTRUCTION



PARTS LIST

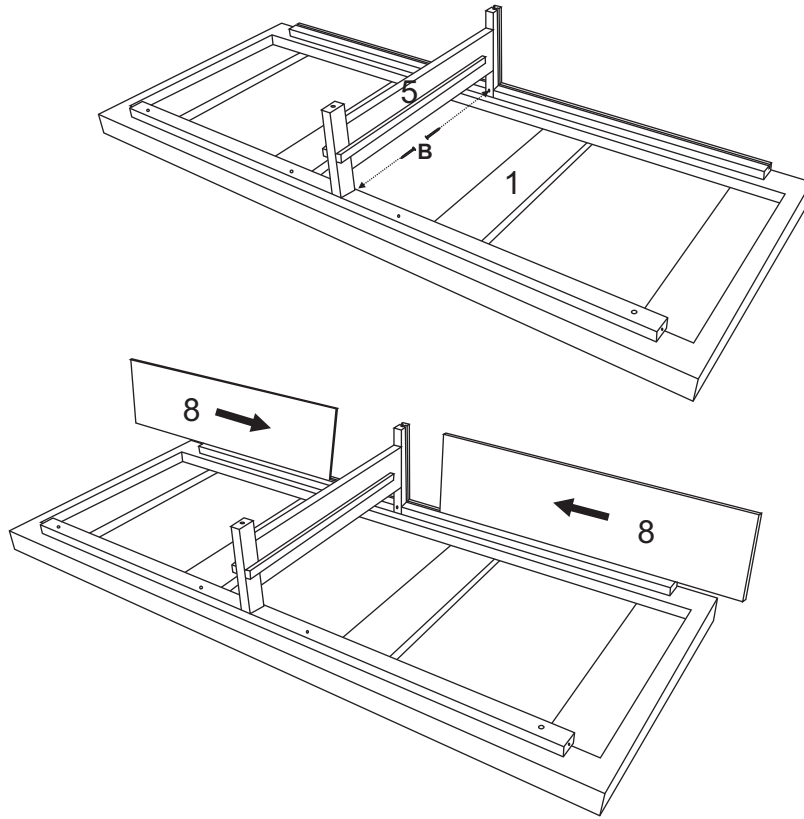
1 1pc	2 1pc	3 1pc	4 2pcs
5 1pc	6 1pc	7 1pc	8 2pcs
9-12 2sets			

HARDWARE LIST

A Ø 6x50mm 14pcs	B Ø 3x25mm 18pcs	C Ø 8x30mm 4pcs	D Ø 4x16mm 4pcs
G 2pcs	H 1pc	I 2pcs	J 2pcs

1

Bx2

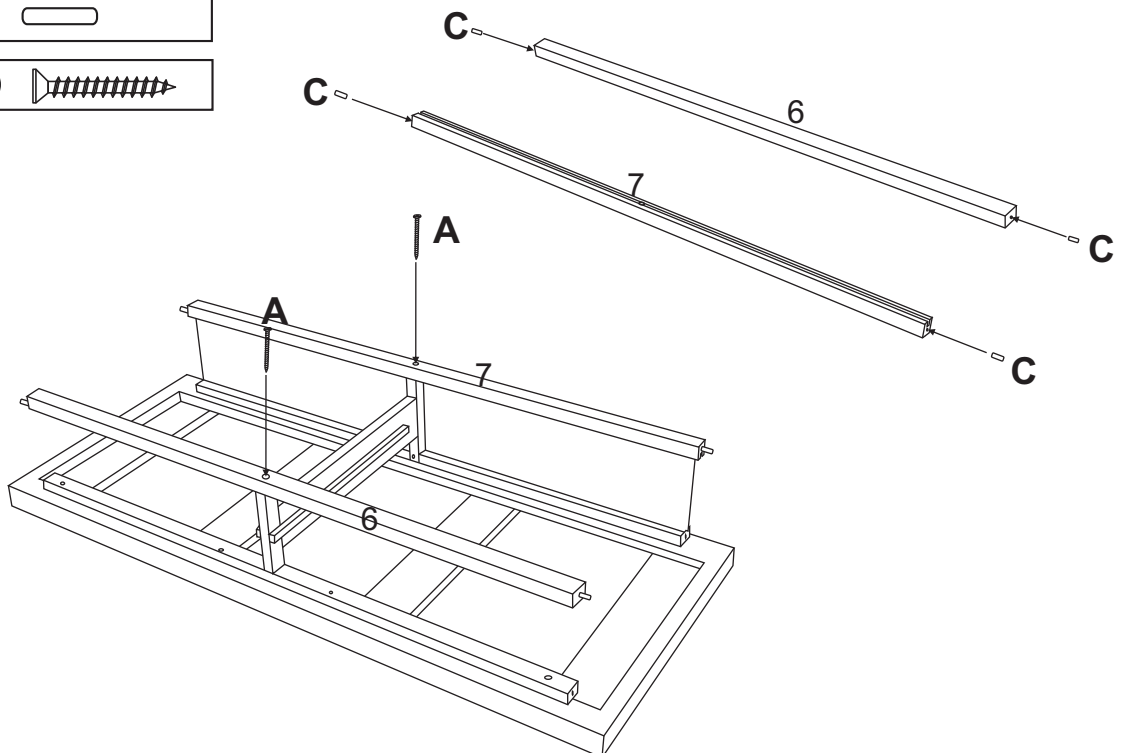


2

Cx4



Ax2

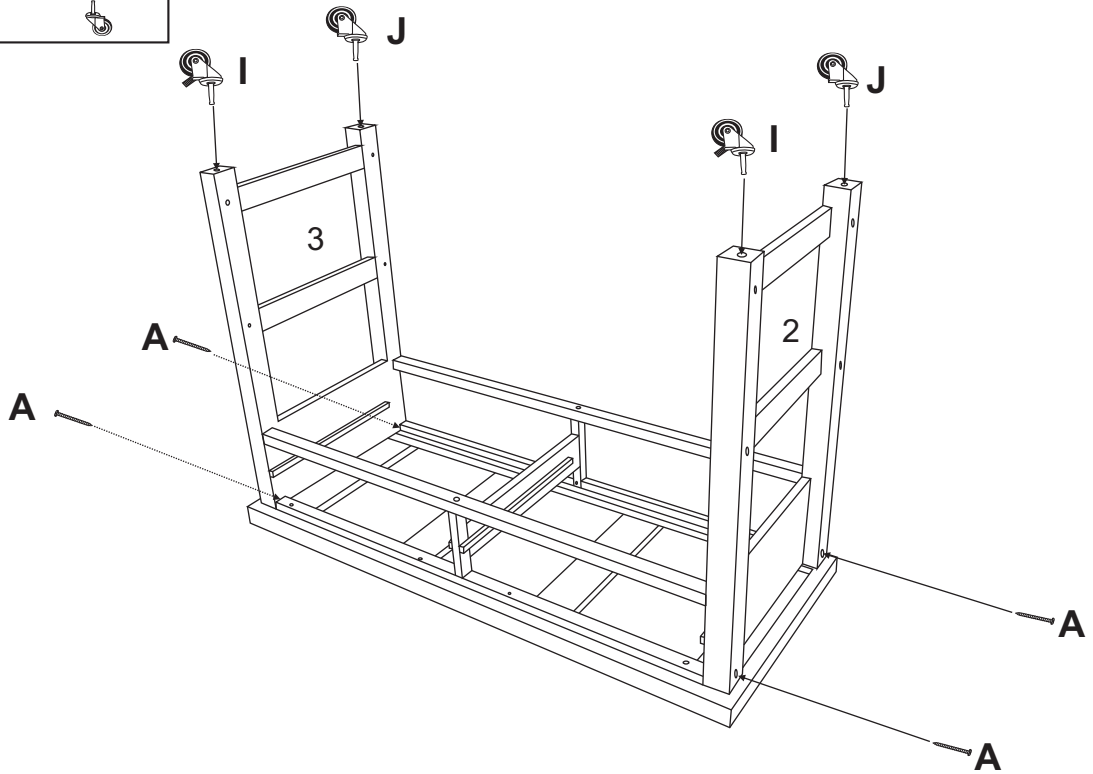


3


Ax4  

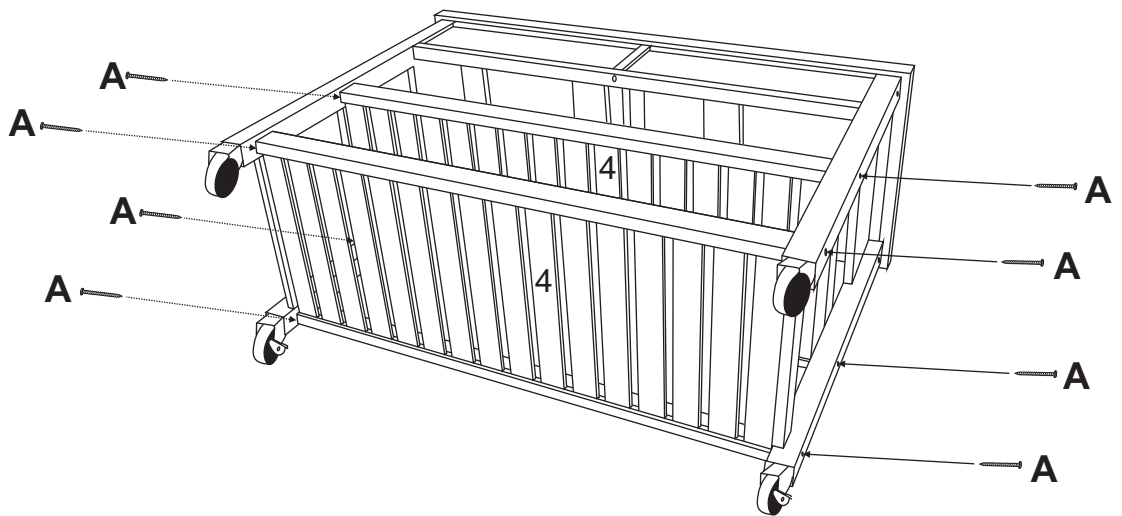
Ix2 

Jx2 



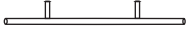
4

Ax8  

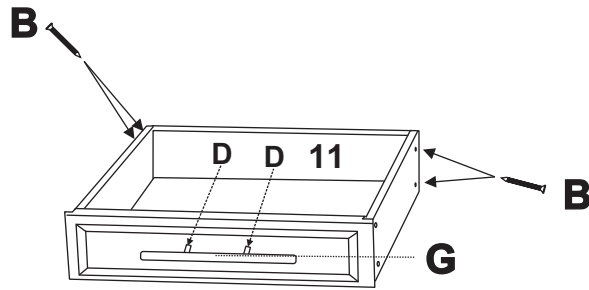
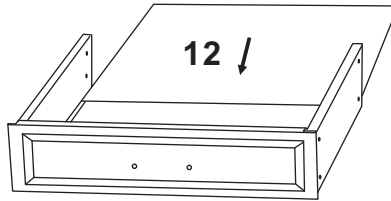
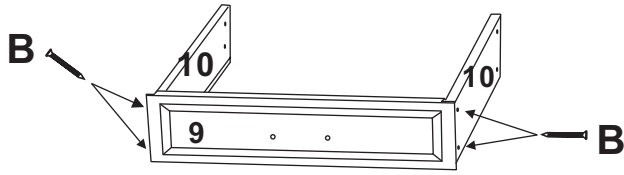


5

Bx16  

lx2 

Dx4 



6

