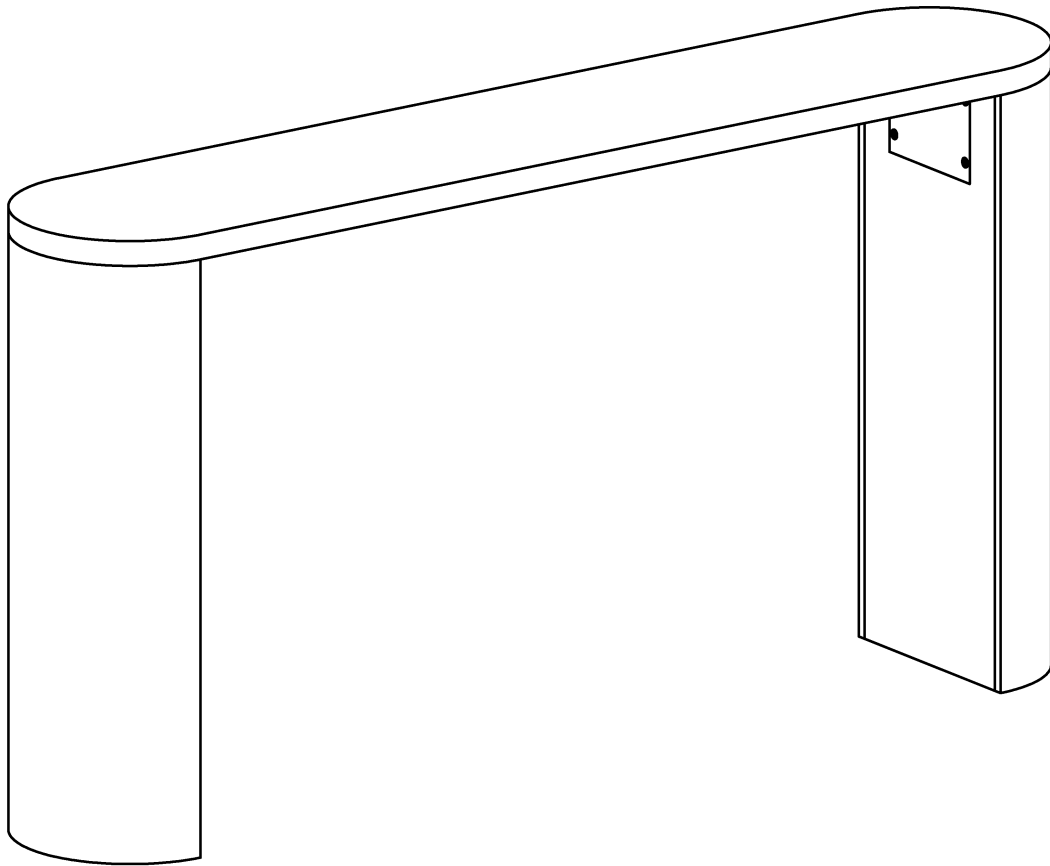


# ASSEMBLY INSTRUCTIONS



# ASSEMBLY INSTRUCTIONS

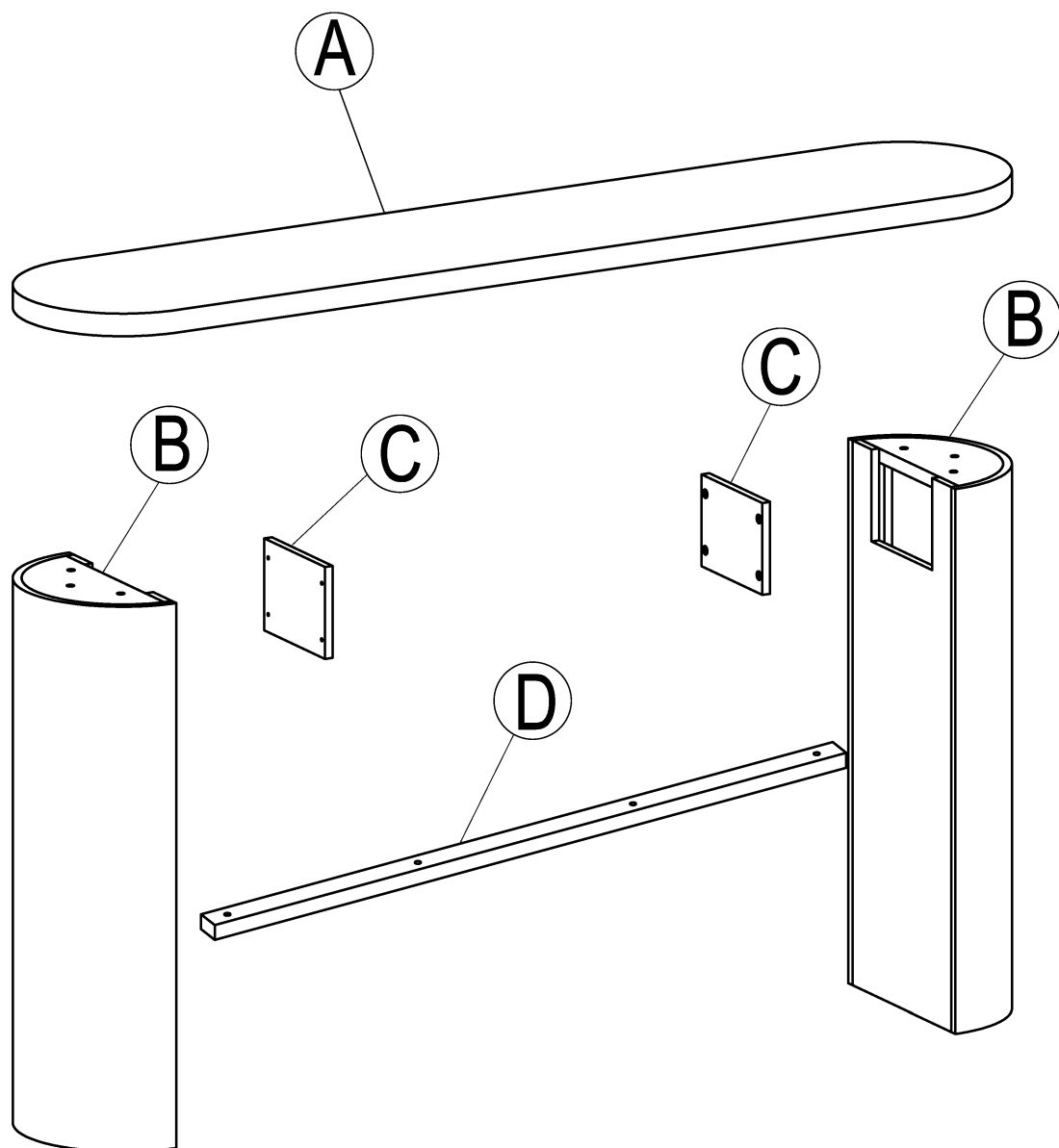
Please read these instructions fully before starting assembly:

1. Place all wooden parts on a clean and smooth surface such as a rug or carpet to avoid scratching the parts.
2. Kindly follow the assembly instructions step by step.
3. Do not tighten all screws and bolts until the table is fully assembled.
4. Unscrew the protective plastique supports from the metal insert of the table legs before assembly.
5. Parts of the assembly will be easier with 2 people.

Care and maintenance:

Only clean using a damp cloth and mild detergent, do not use bleach or abrasive cleaners.

# ASSEMBLY INSTRUCTIONS



# ASSEMBLY INSTRUCTIONS

## Part List

Ⓐ

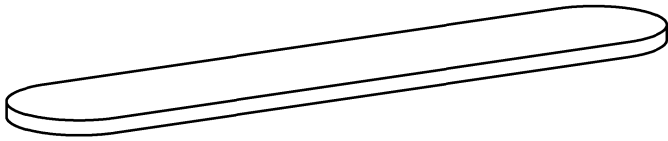
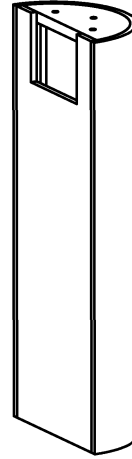


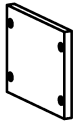
TABLE TOP (1 pc)

Ⓑ



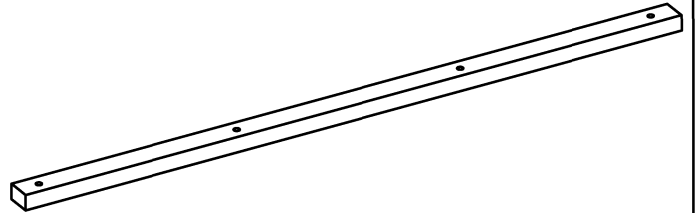
LEG (2 pcs)

Ⓒ



LEG PANEL (2 pcs)

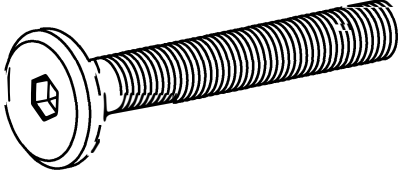

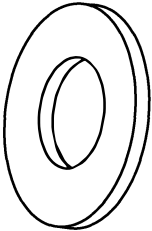
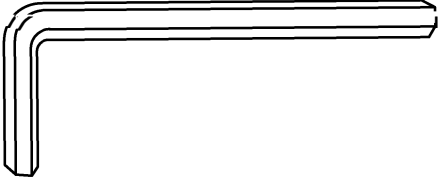
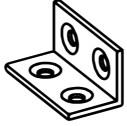


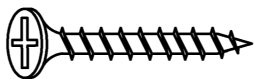


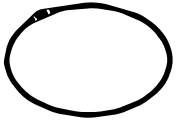


Ⓓ



STRETCHER (1 pc)

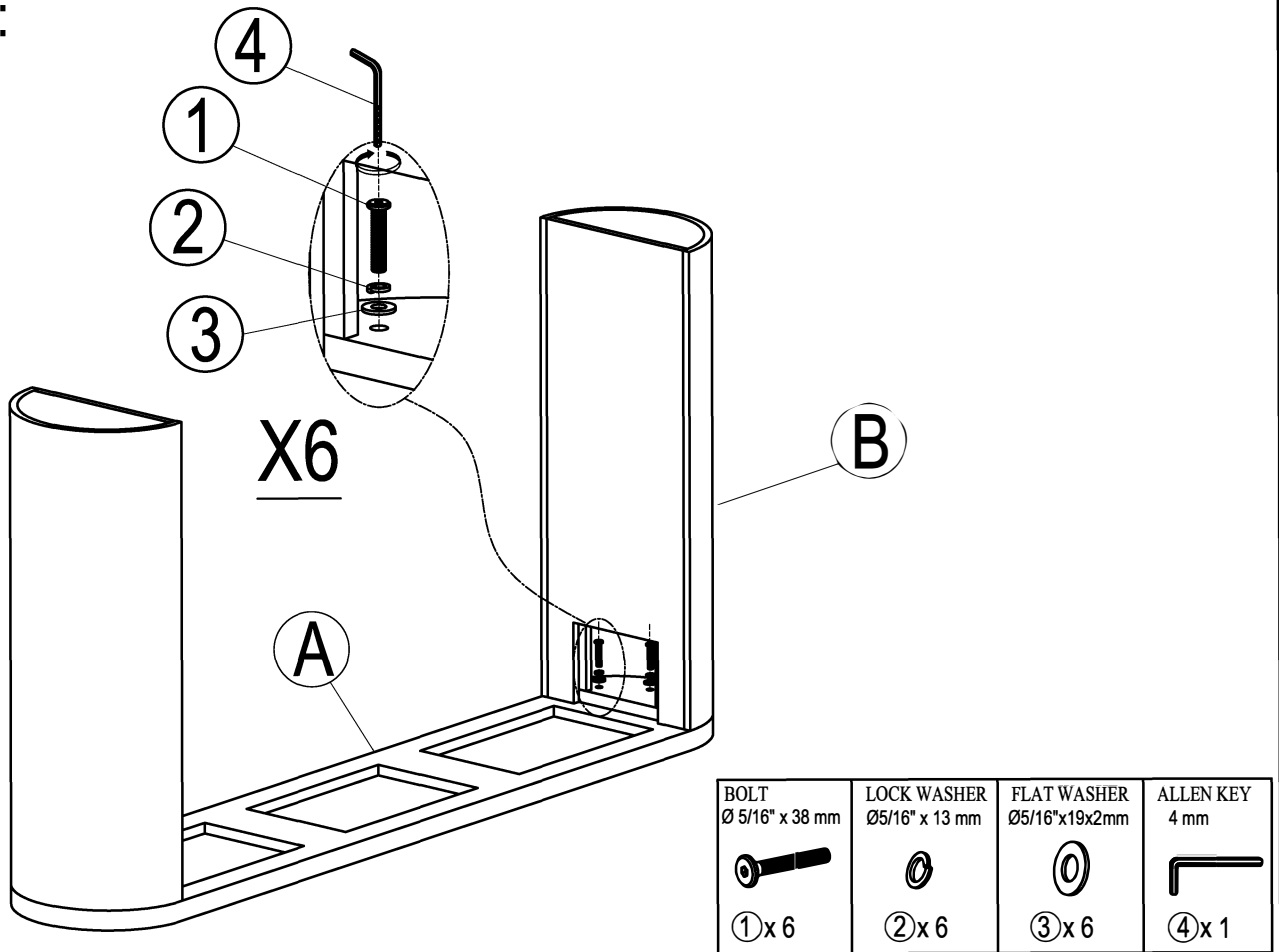
# ASSEMBLY INSTRUCTIONS

## Hardware List

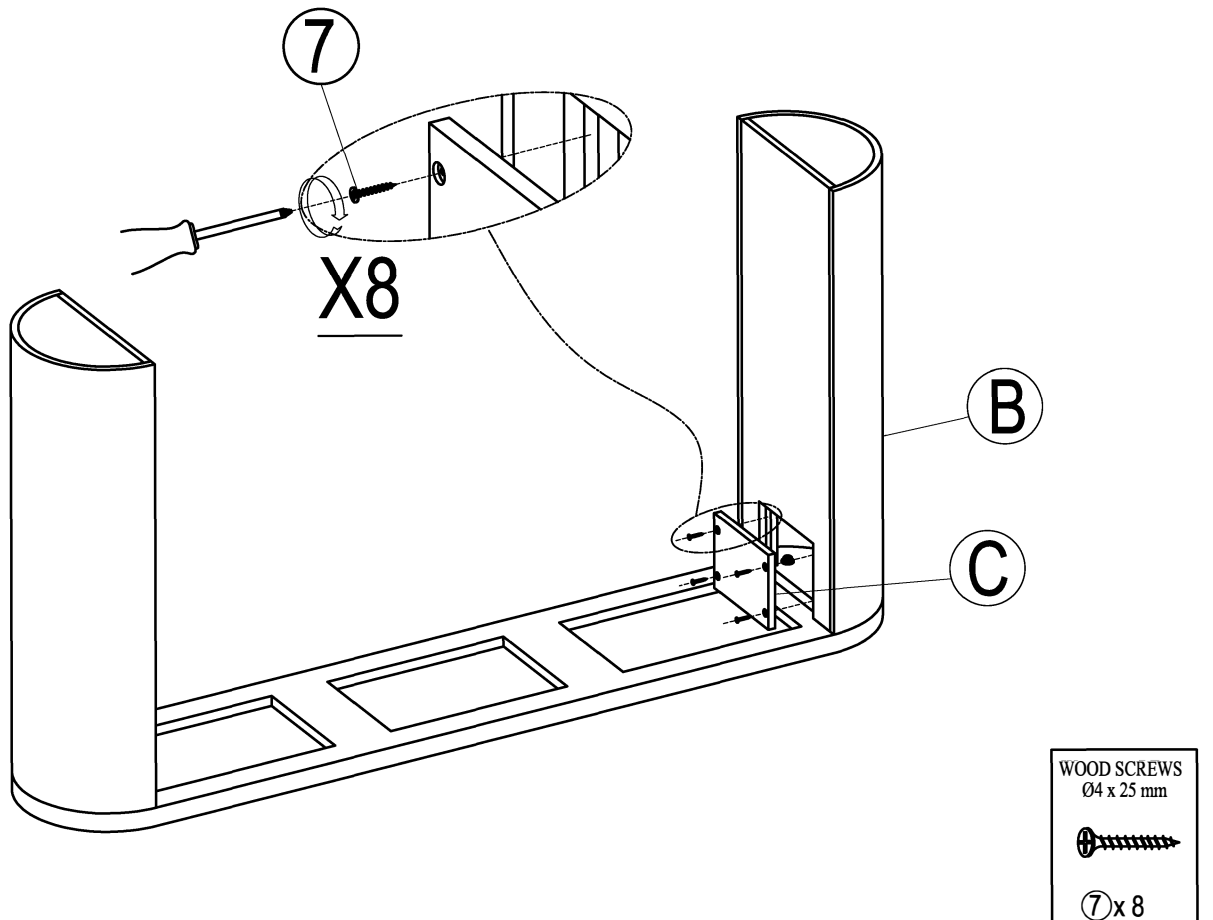
<p>①</p>  <p>Ø 5/16" x 38 mm</p>	<p>②</p>  <p>Ø5/16" x 13 mm</p>
<p>BOLT (6 pcs)</p>	<p>LOCK WASHER (6 pcs)</p>
<p>③</p>  <p>Ø5/16" x 19 x 2 mm</p>	<p>④</p>  <p>4 mm</p>
<p>FLAT WASHER (6 pcs)</p>	<p>ALLEN KEY (1 pc)</p>
<p>⑤</p>  <p>2 x 20 x 40 mm</p>	<p>⑥</p>  <p>Ø3.5 x 15 mm</p>
<p>PATCH V (2 pcs)</p>	<p>WOOD SCREWS (8 pcs)</p>
<p>⑦</p>  <p>Ø4 x 25 mm</p>	<p>⑧</p>  <p>Ø4 x 38 mm</p>
<p>WOOD SCREWS (8 pcs)</p>	<p>WOOD SCREWS (4 pcs)</p>
<p>⑨</p> <div style="display: flex; justify-content: space-around; align-items: flex-start;"> <div style="text-align: center;"> <p>Ax2</p>  </div> <div style="text-align: center;"> <p>Cx2</p>  </div> <div style="text-align: center;"> <p>Ex2</p>  </div> </div> <div style="display: flex; justify-content: space-around; align-items: flex-start; margin-top: 10px;"> <div style="text-align: center;"> <p>Bx4</p>  </div> <div style="text-align: center;"> <p>Dx2</p>  </div> </div>	
<p>ANTI-PACKING KIT(2 SETS)</p>	

# ASSEMBLY INSTRUCTIONS

## STEP 1:

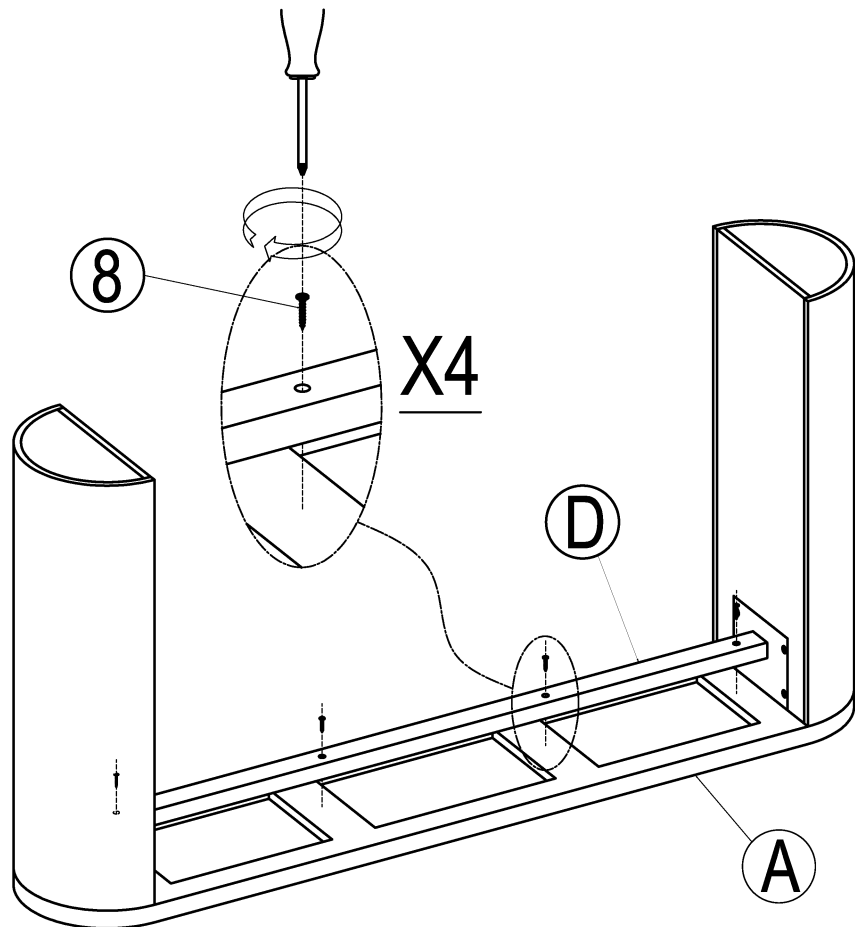


## STEP 2:

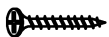


# ASSEMBLY INSTRUCTIONS

## STEP 3:

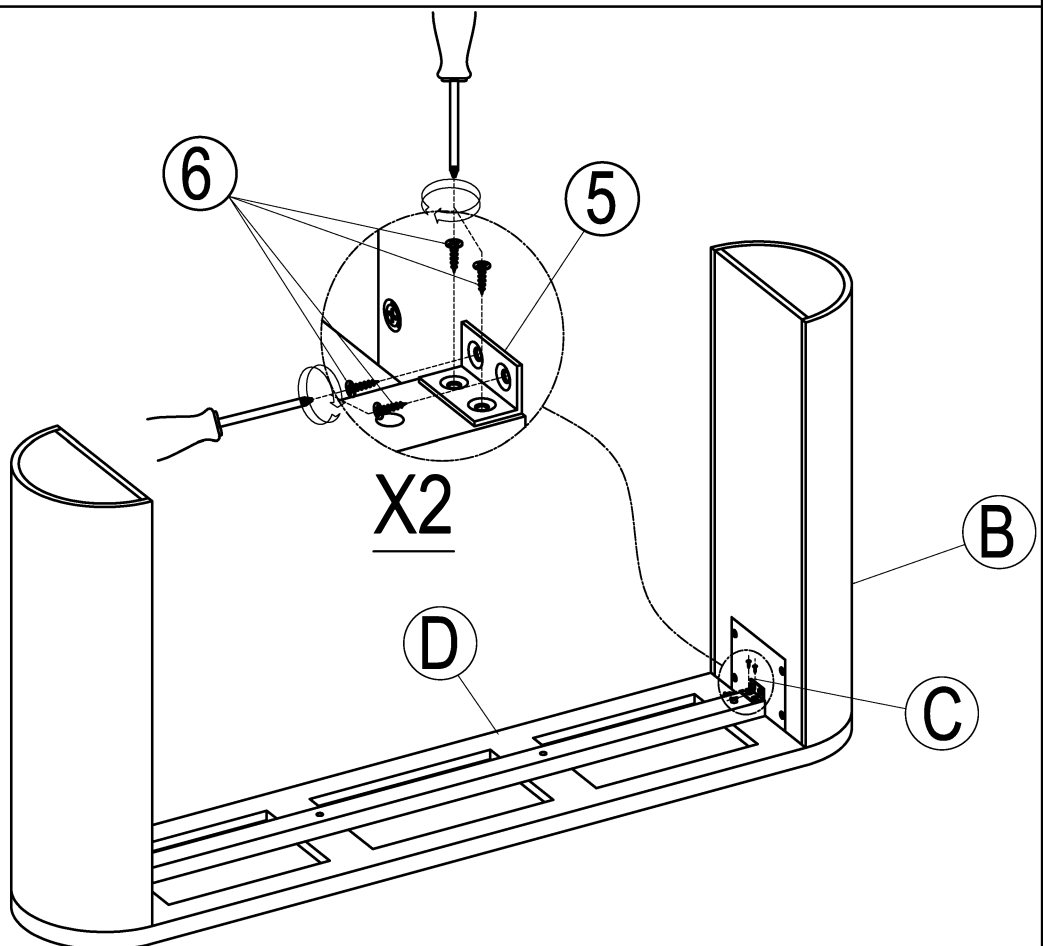


WOOD SCREWS  
Ø4 x 38 mm



⑧ x 4

## STEP 4:



WOOD SCREWS  
Ø3.5 x 15 mm



⑥ x 8

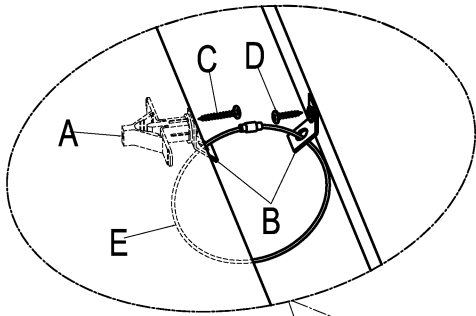
PATCH V  
2 x 20 x 40 mm



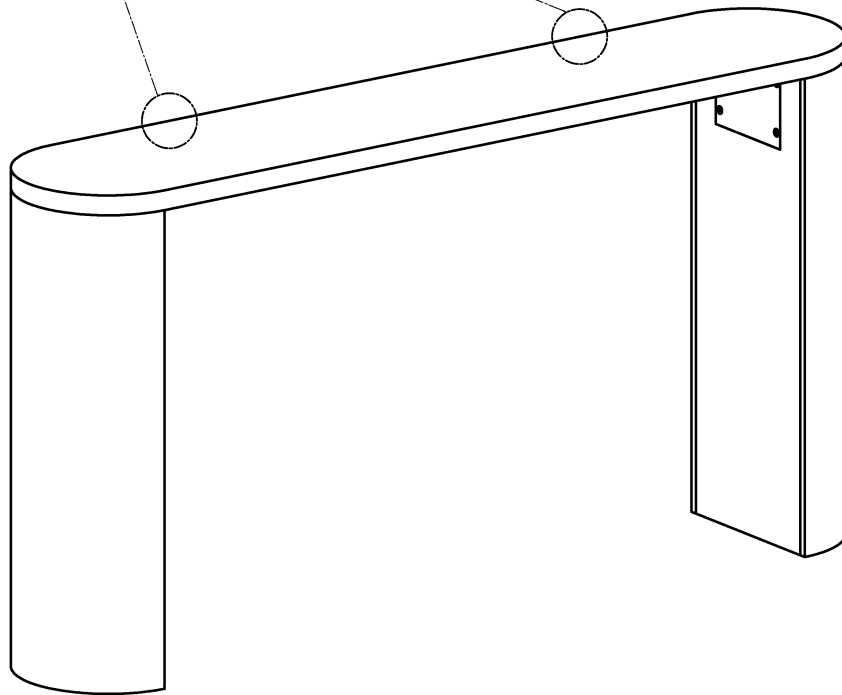
⑤ x 2

# ASSEMBLY INSTRUCTIONS

## STEP 5:



**X2**



⑨-A	⑨-B	⑨-C	⑨-D	⑨-E
2 pcs	4 pcs	2 pcs	2 pcs	2 pcs

**COMPLETE**