

BEDSIDE TABLE WITH TWO DRAWERS
Item Code: G-0533
Assembly Instruction

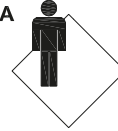
30 mins

APPROXIMATE ASSEMBLY TIME

1 PERSON ASSEMBLY

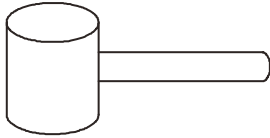


FLOOR AREA
 1.0M X 1.0M

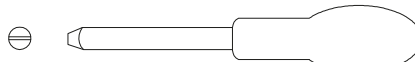


REQUIRED ASSEMBLY SPACE

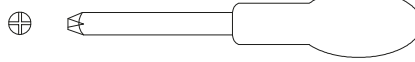
REQUIRED ASSEMBLY TOOLS



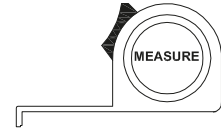
SOFT RUBBER HAMMER (Not Provided)



SLOTTED SCREWDRIVER (Not Provided)

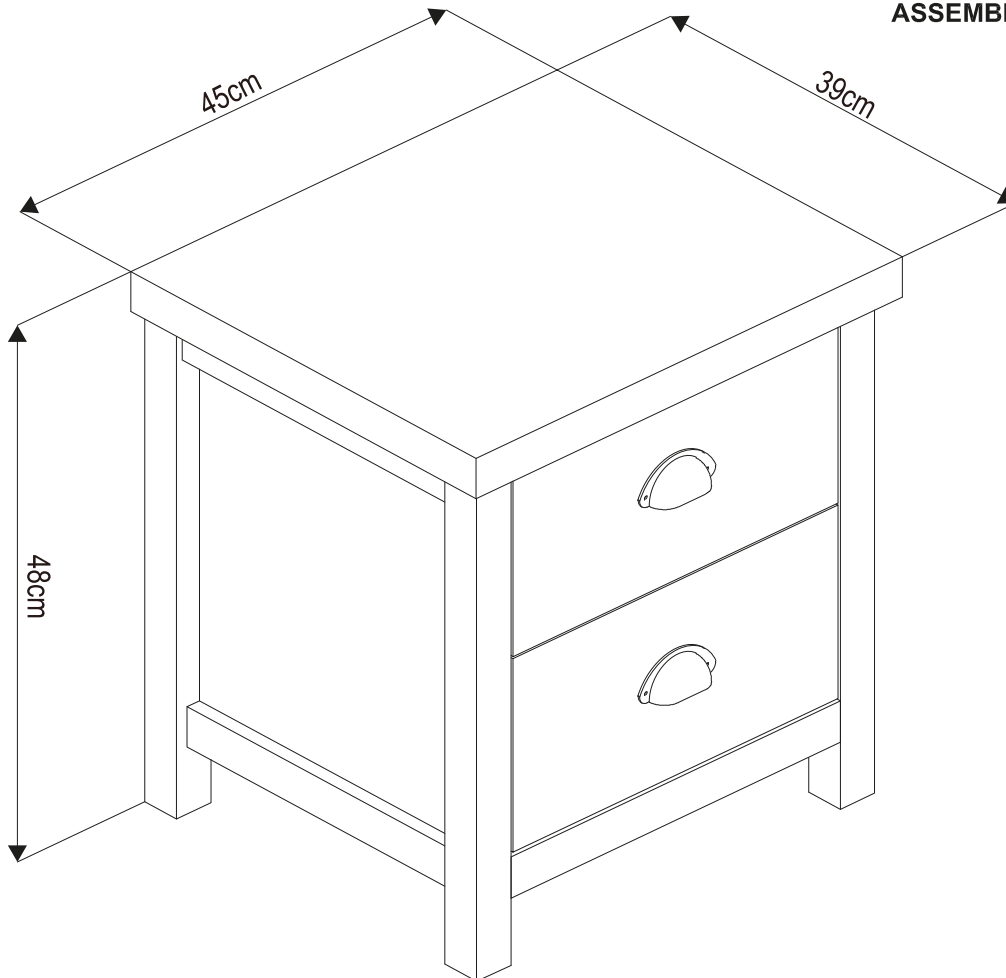


POZI SCREWDRIVER (Not Provided)



MEASURING TAPE (Not Provided)

ASSEMBLED DIMENSIONS



Max. Loading :10kg

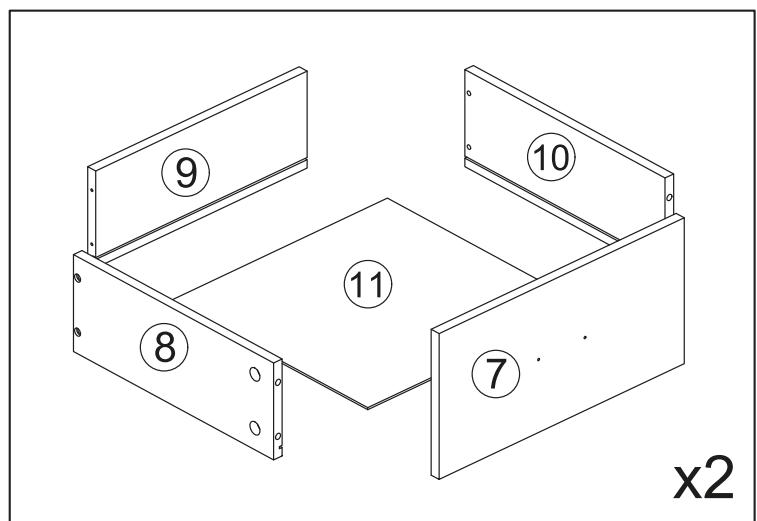
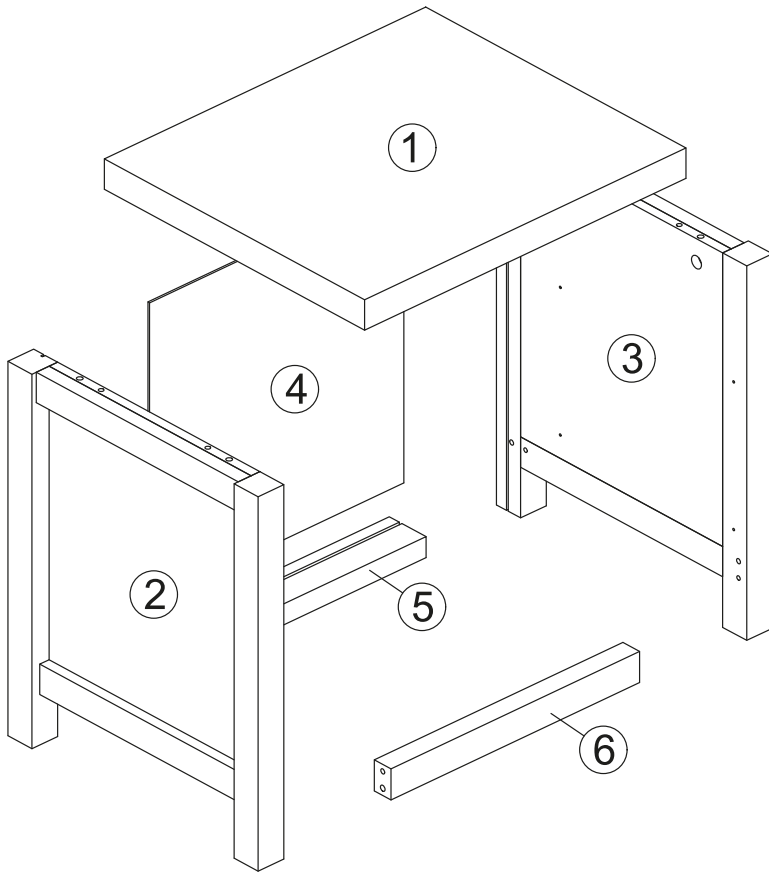
1/13

Manufactured for Gill HK Ltd BD4 9SW
 www.gillhk.com
 Made in China

BEDSIDE TABLE WITH TWO DRAWERS

Item Code: G-0533

Assembly Instruction



Max. Loading :10kg

2/13


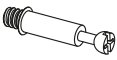
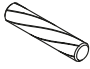











Manufactured for Gill HK Ltd BD4 9SW
www.gillhk.com
Made in China

BEDSIDE TABLE WITH TWO DRAWERS

Item Code: G-0533

Assembly Instruction

HARDWARE LIST

(A)	 16pcs	(B)	 16pcs	(C)	 8pcs	(D)	 8pcs
(E)	 2pcs	(F)	 24pcs	(G)	 4pcs	(H)	 4pcs
(I)	 2pcs	(J)	 2pcs	(K)	 2pcs	(L)	 2pcs
(M)	 4pcs	(N)	 4pcs				

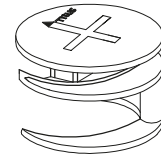
BEDSIDE TABLE WITH TWO DRAWERS

Item Code: G-0533

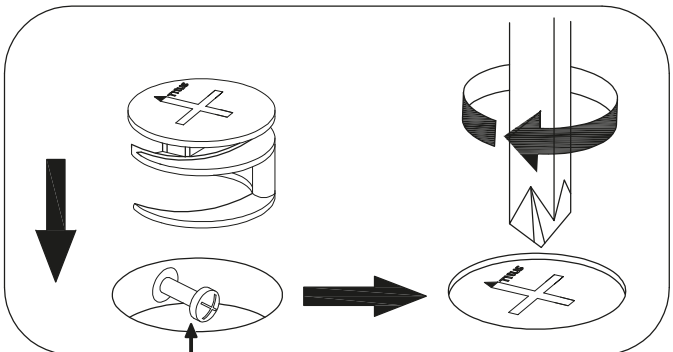
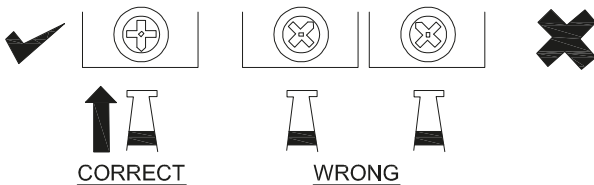
Assembly Instruction

SPECIAL TIPS FOR FITTING CAM-LOCKS AND QUICKFIT

CAM-LOCK

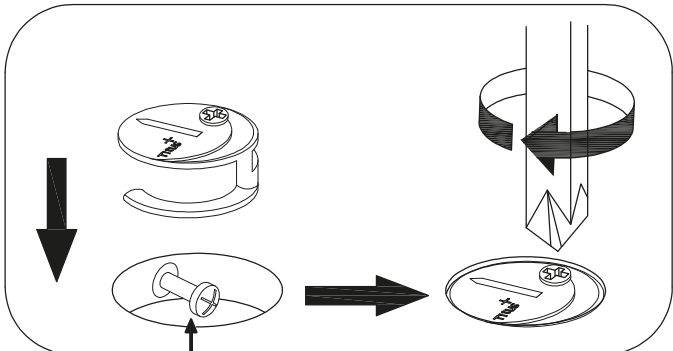
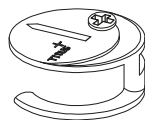


WHEN FITTING CAMLOCK
ENSURE STARTING POSITION IS CORRECT
BEFORE YOU INSERT CONNECTING QUICKFIT
TURN CLOCKWISE UNTIL SECURE



Quickfit head needs to be in centre

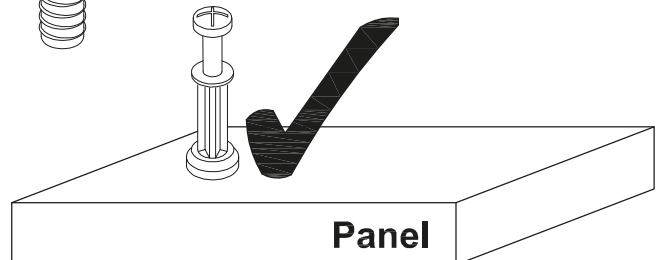
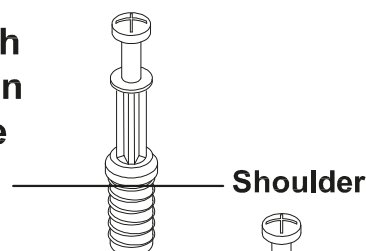
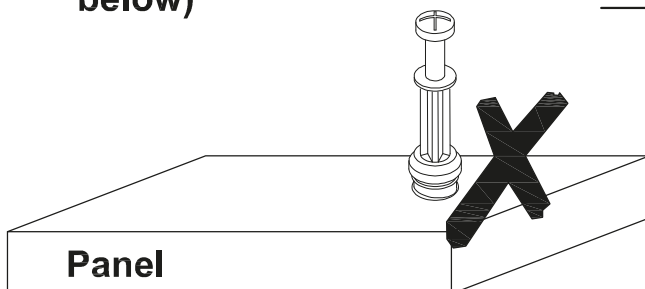
DRAWER CAM-LOCK



Quickfit head needs to be in centre

QUICKFIT

Tighten until shoulder is flush with panel. Do not overtighten or undertighten (see example below)

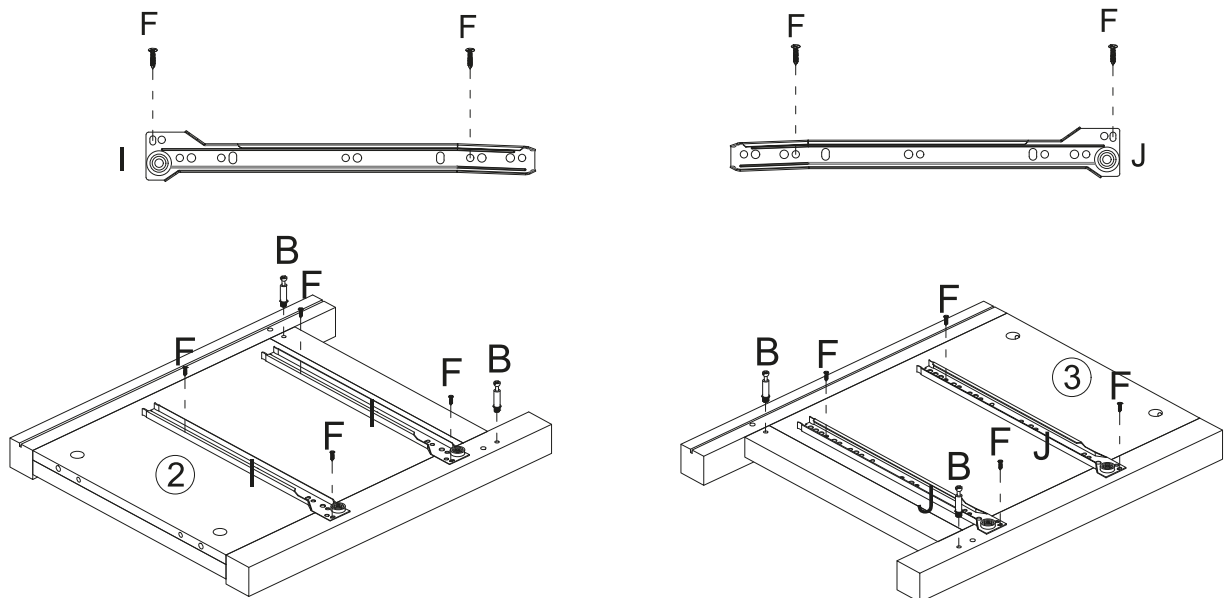


BEDSIDE TABLE WITH TWO DRAWERS

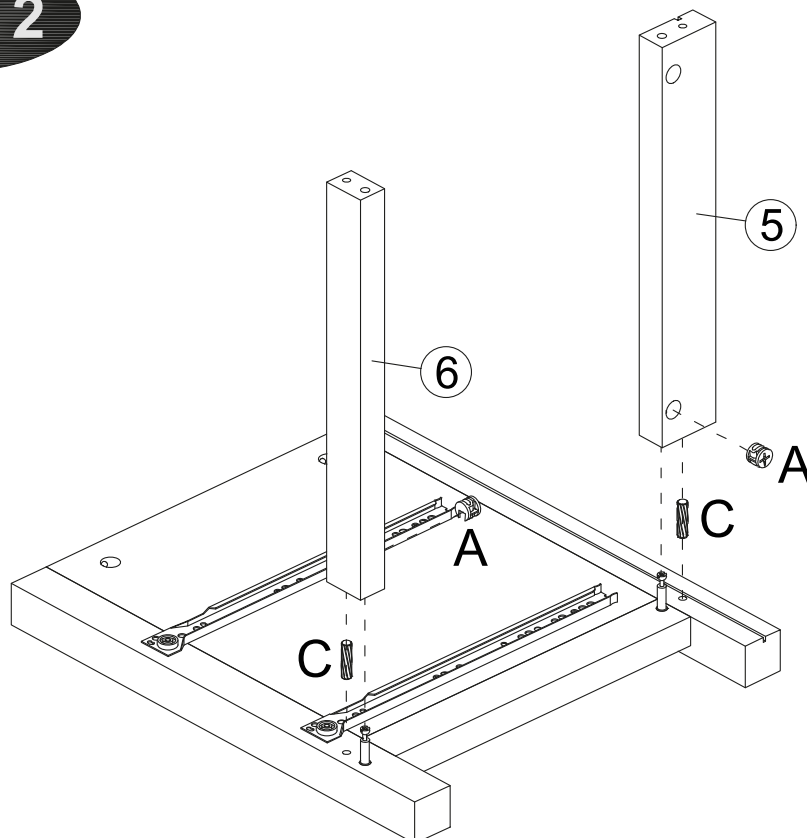
Item Code: G-0533

Assembly Instruction

STEP 1



STEP 2



Max. Loading :10kg

5/13

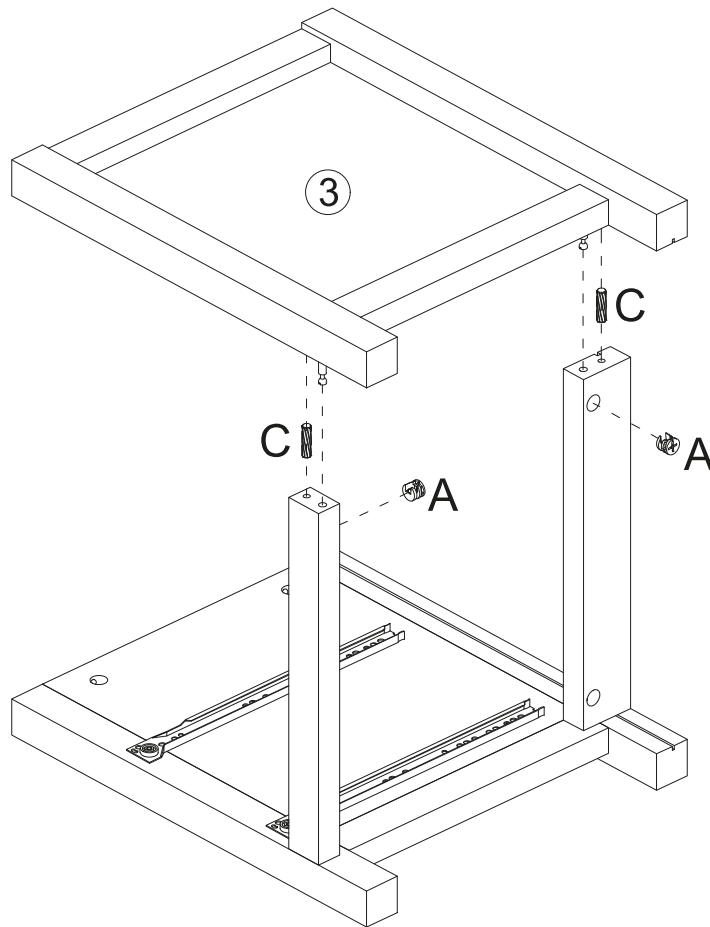
Manufactured for Gill HK Ltd BD4 9SW
www.gillhk.com
Made in China

BEDSIDE TABLE WITH TWO DRAWERS

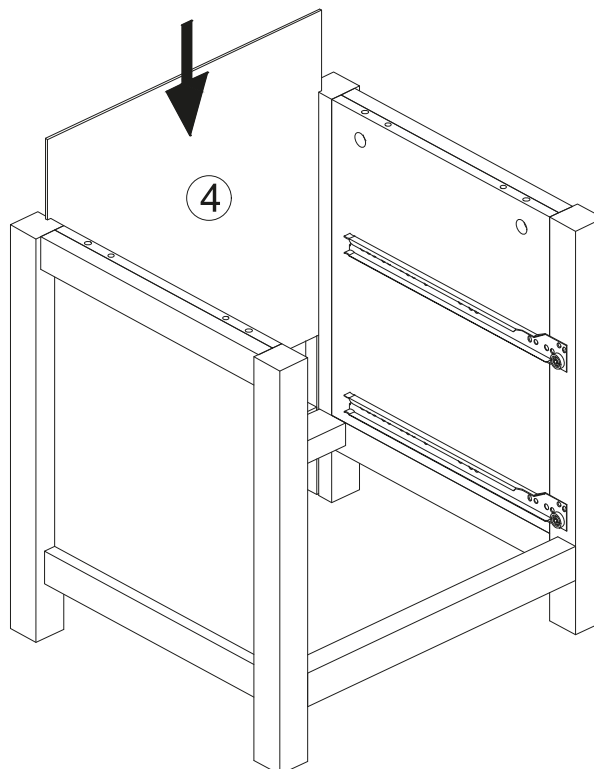
Item Code: G-0533

Assembly Instruction

STEP 3



STEP 4



Max. Loading :10kg

6/13

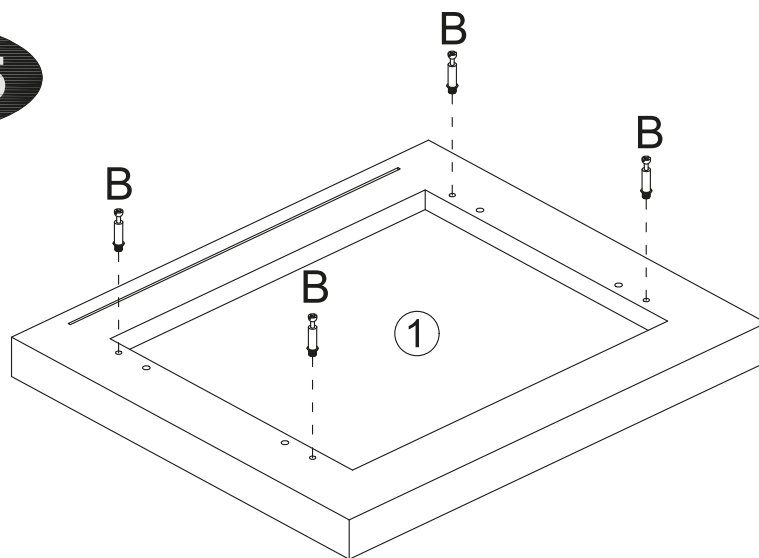
Manufactured for Gill HK Ltd BD4 9SW
www.gillhk.com
Made in China

BEDSIDE TABLE WITH TWO DRAWERS

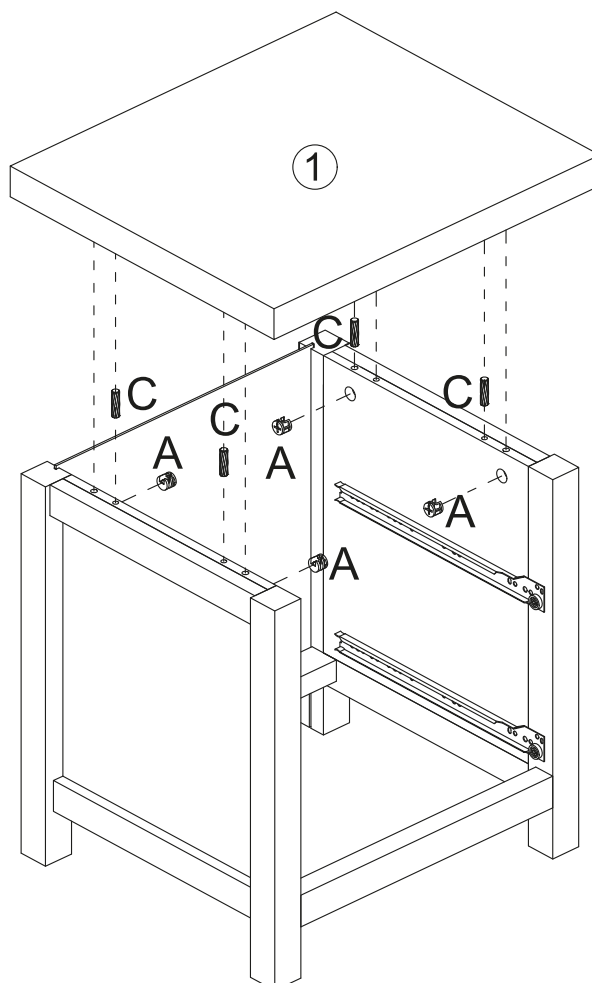
Item Code: G-0533

Assembly Instruction

STEP 5



STEP 6



Max. Loading :10kg

7/13

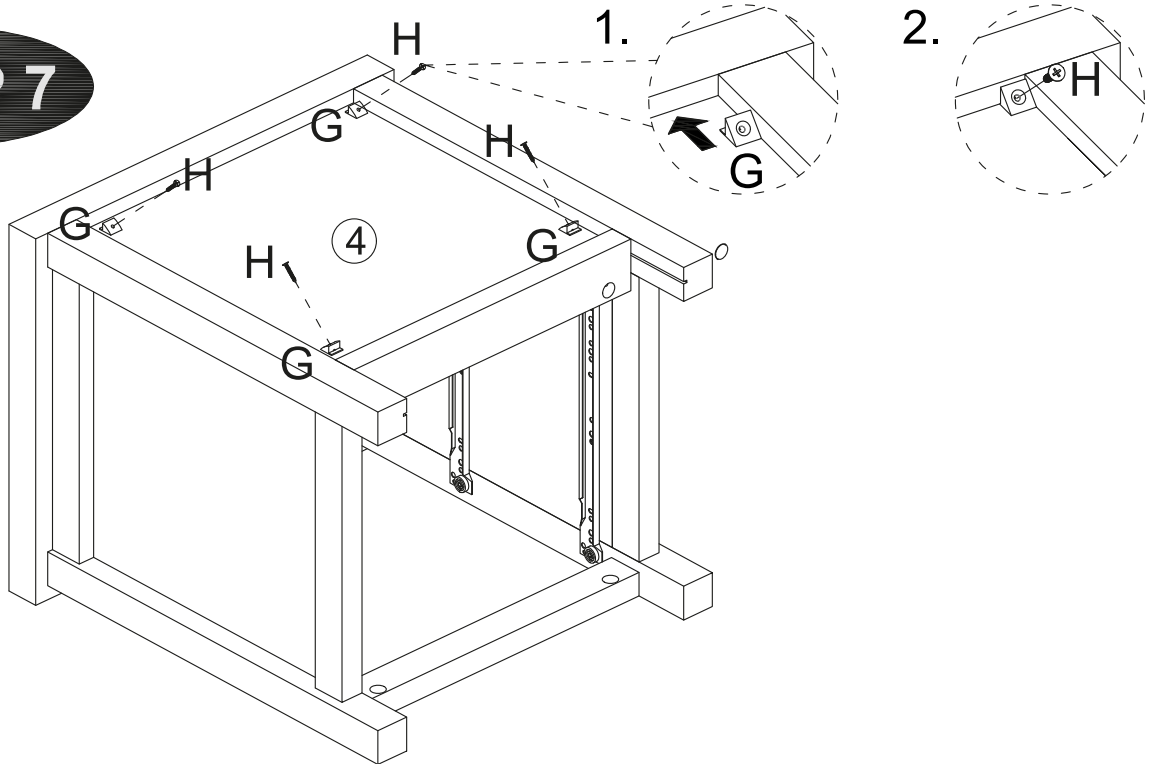
Manufactured for Gill HK Ltd BD4 9SW
www.gillhk.com
Made in China

BEDSIDE TABLE WITH TWO DRAWERS

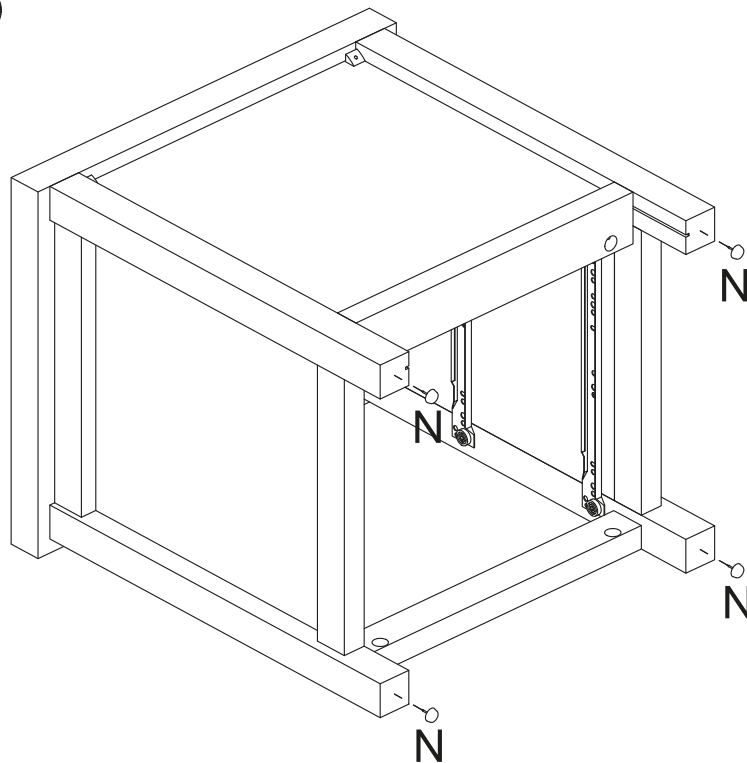
Item Code: G-0533

Assembly Instruction

STEP 7



STEP 8



Max. Loading :10kg

8/13

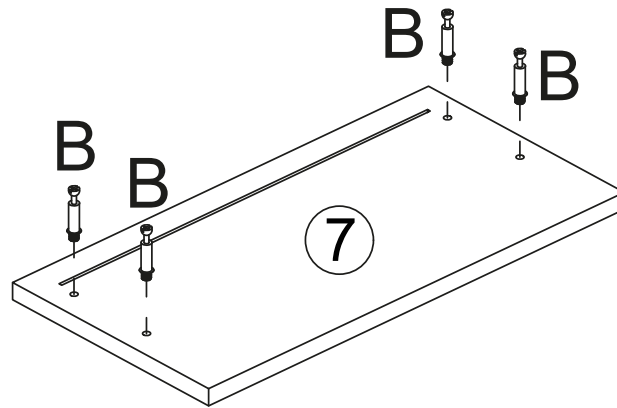
Manufactured for Gill HK Ltd BD4 9SW
www.gillhk.com
Made in China

BEDSIDE TABLE WITH TWO DRAWERS

Item Code: G-0533

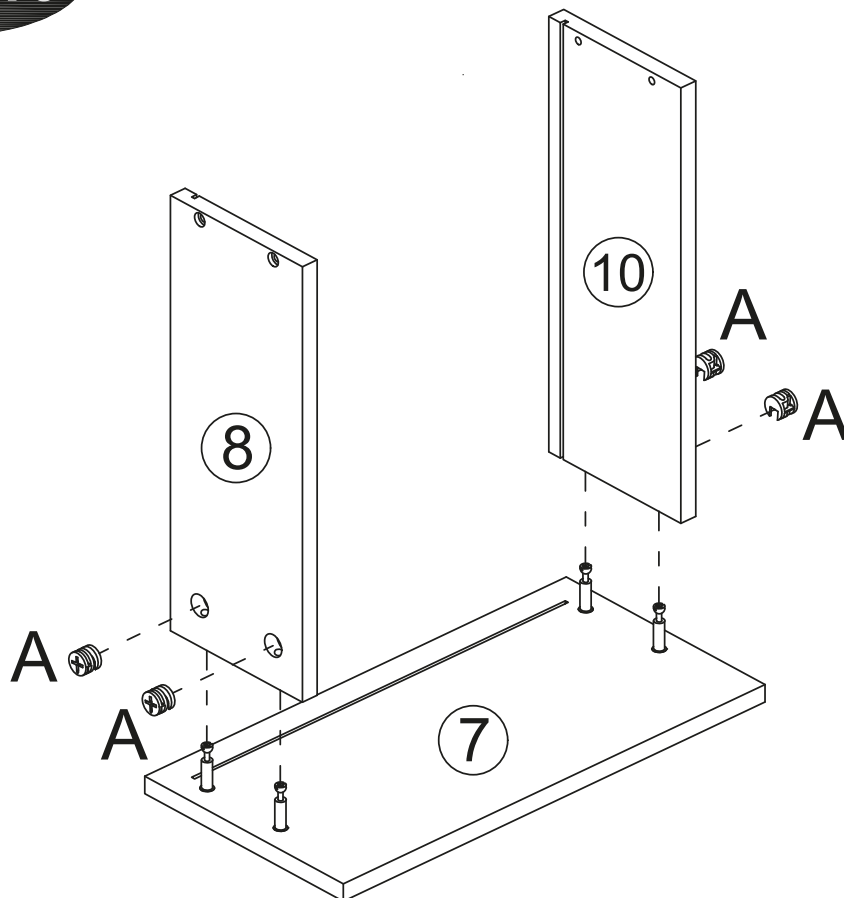
Assembly Instruction

STEP 9



x2

STEP 10



x2

Max. Loading :10kg

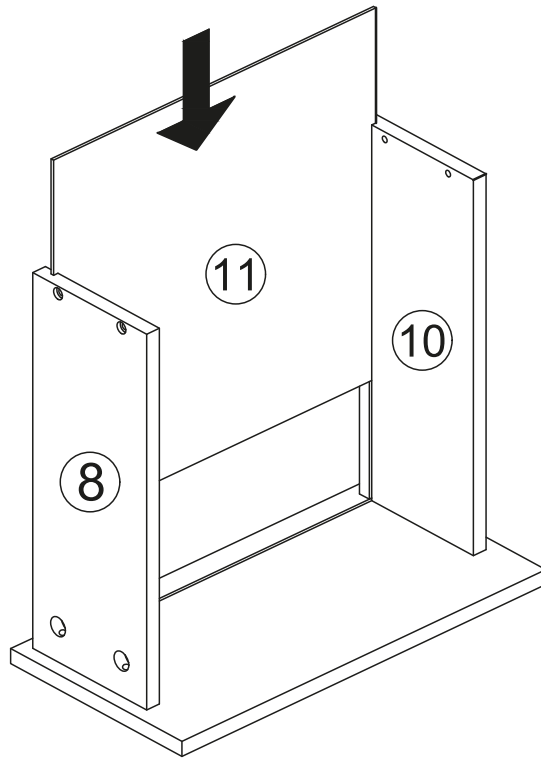
9/13

Manufactured for Gill HK Ltd BD4 9SW
www.gillhk.com
Made in China

BEDSIDE TABLE WITH TWO DRAWERS

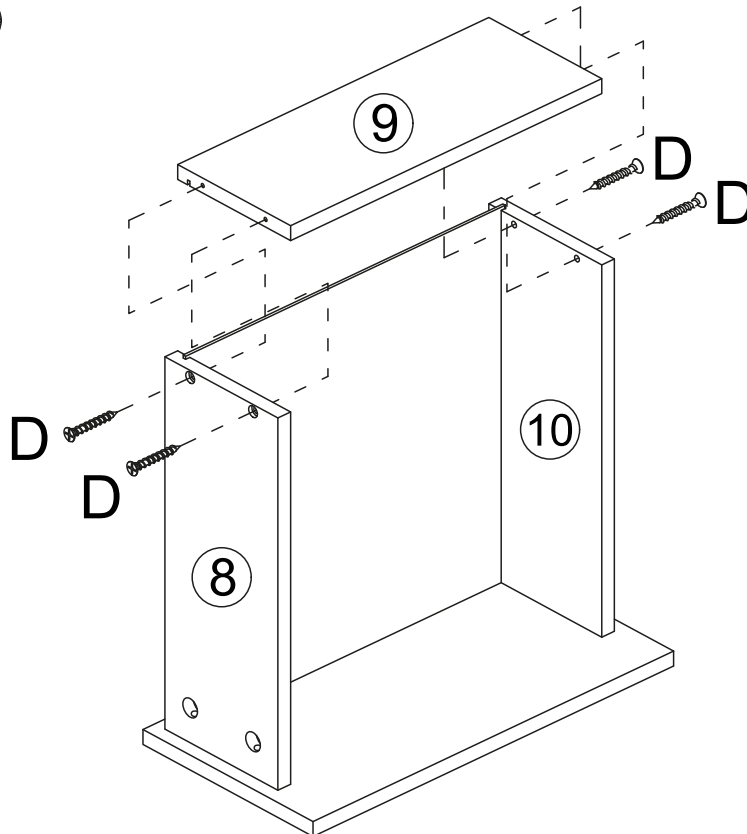
Item Code: G-0533 Assembly Instruction

STEP 11



x2

STEP 12



x2

Max. Loading :10kg

10/13

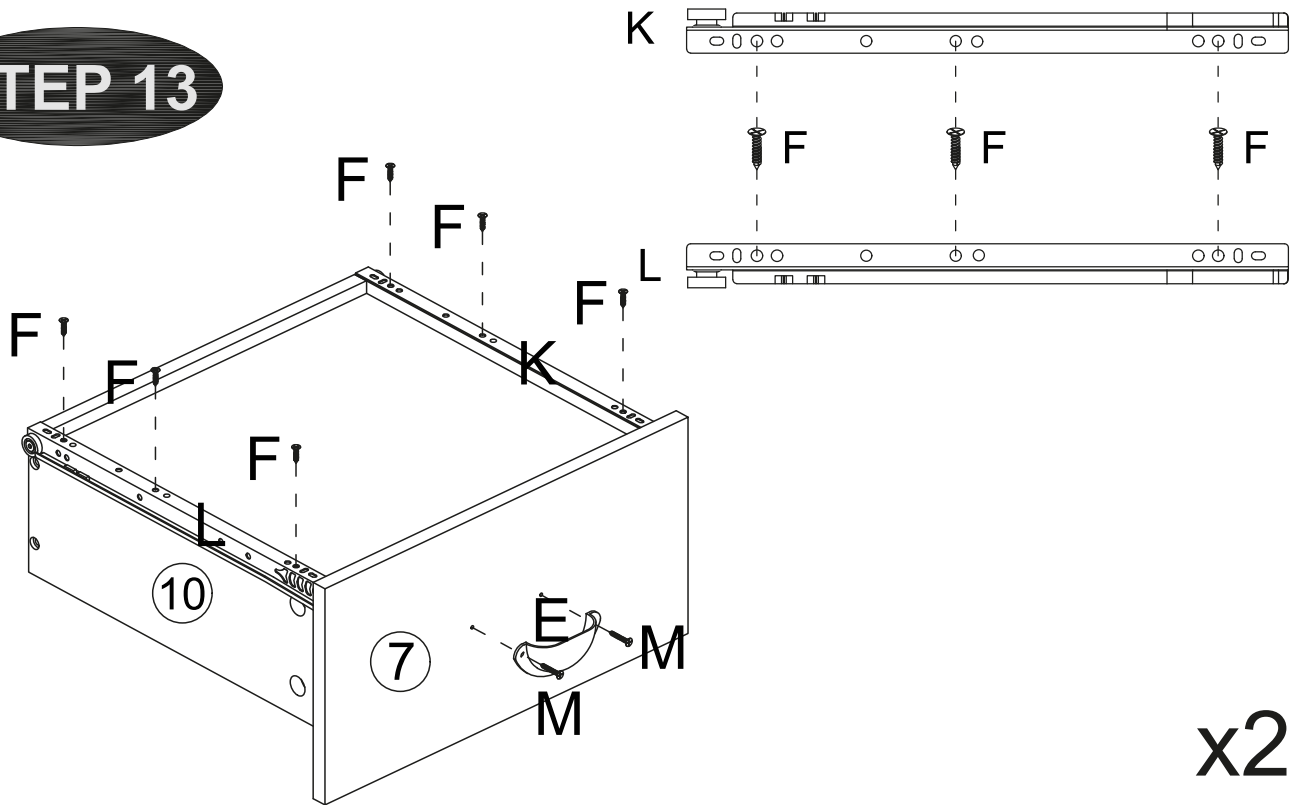
Manufactured for Gill HK Ltd BD4 9SW
www.gillhk.com
Made in China

BEDSIDE TABLE WITH TWO DRAWERS

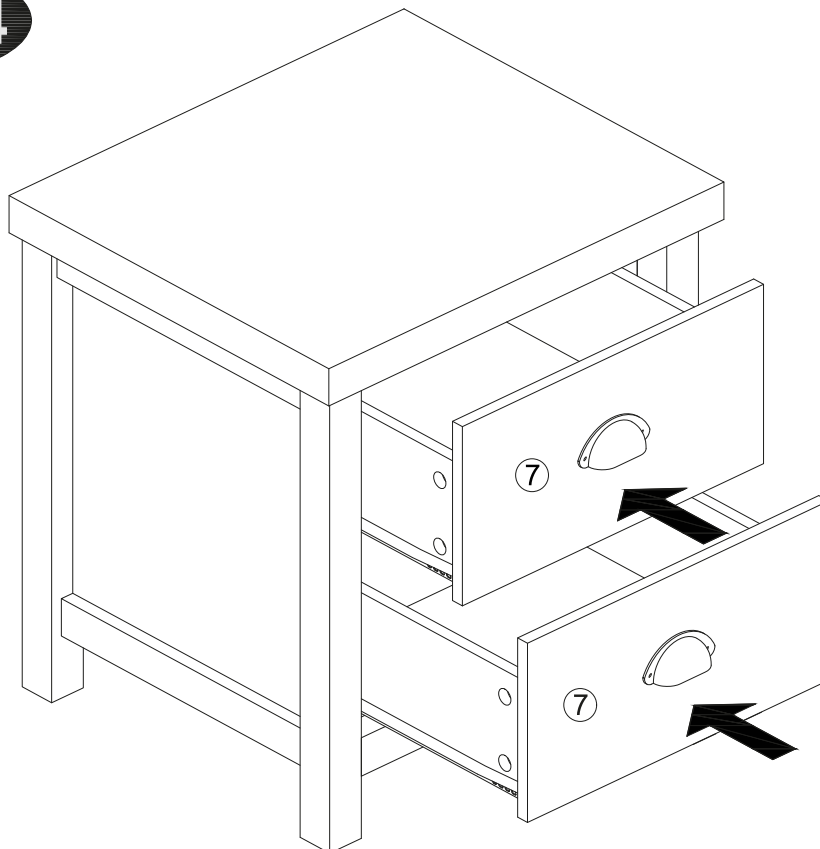
Item Code: G-0533

Assembly Instruction

STEP 13



STEP 14



Max. Loading :10kg

11/13

Manufactured for Gill HK Ltd BD4 9SW
www.gillhk.com
Made in China

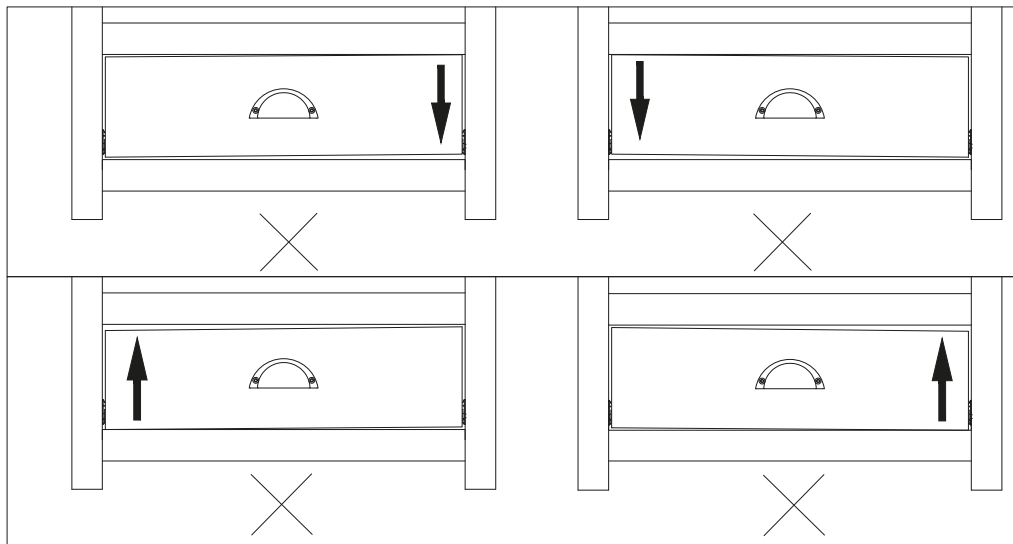
BEDSIDE TABLE WITH TWO DRAWERS

Item Code: G-0533

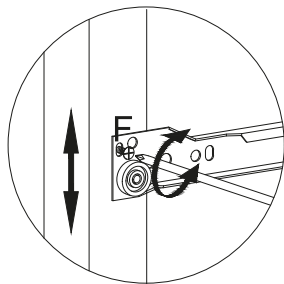
Assembly Instruction

Attention

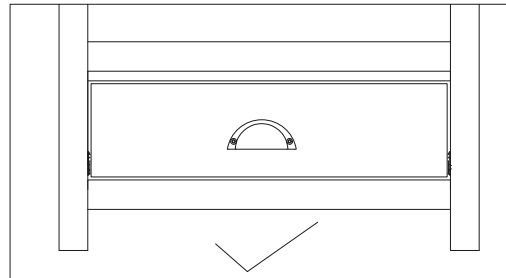
If the drawer's up and down gaps were not aligned, please adjust the drawer runners as below 1&2. After the drawers are fully aligned, lock another screw F as below 3.



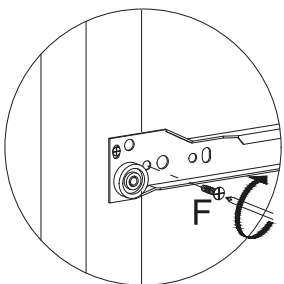
1:



2:



3:



BEDSIDE TABLE WITH TWO DRAWERS

Item Code: G-0533 Assembly Instruction



Safety Advice and Care Advice

KEEP ALL THE SAFETY ADVICE AND INSTRUCTIONS IN A SAFE PLACE FOR FUTURE REFERENCE!

⚠ WARNING! RISK OF LOSS OF LIFE OR ACCIDENT TO INFANTS AND CHILDREN! Never leave children unsupervised with the packaging materials. Danger of suffocation.

⚠ CAUTION! RISK OF INJURY! Make sure that all parts are undamaged and assembled correctly. Improper assembly carries a risk of injury. Damaged parts may affect the safety and function of the product.

- Make sure that this product is standing on a solid, level surface.

⚠ CAUTION! Do not leave children unsupervised! The product is not a climbing frame or a toy! Make sure that nobody, especially a child, climbs on or leans against the product.

- Distribute weight evenly across the product so that it cannot overturn.
- Do not load more than a total of 10kg onto the product, otherwise there is a risk of injury and/or damage to the product.
- Check that the product is stable before using it.
- Do not lift or move the product when it is loaded.
- Keep away from fire and inflammable objects.
- **Wipe clean with a damp cloth.**
- Make sure that all screws and fixings are secure before use.
- Do not place very hot or very cold items on the surface(s) unless adequately thick table mats are used.
- Please periodically check all fittings and re-tighten as necessary.
- Domestic use only.