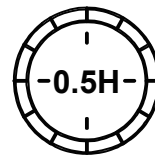
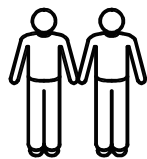
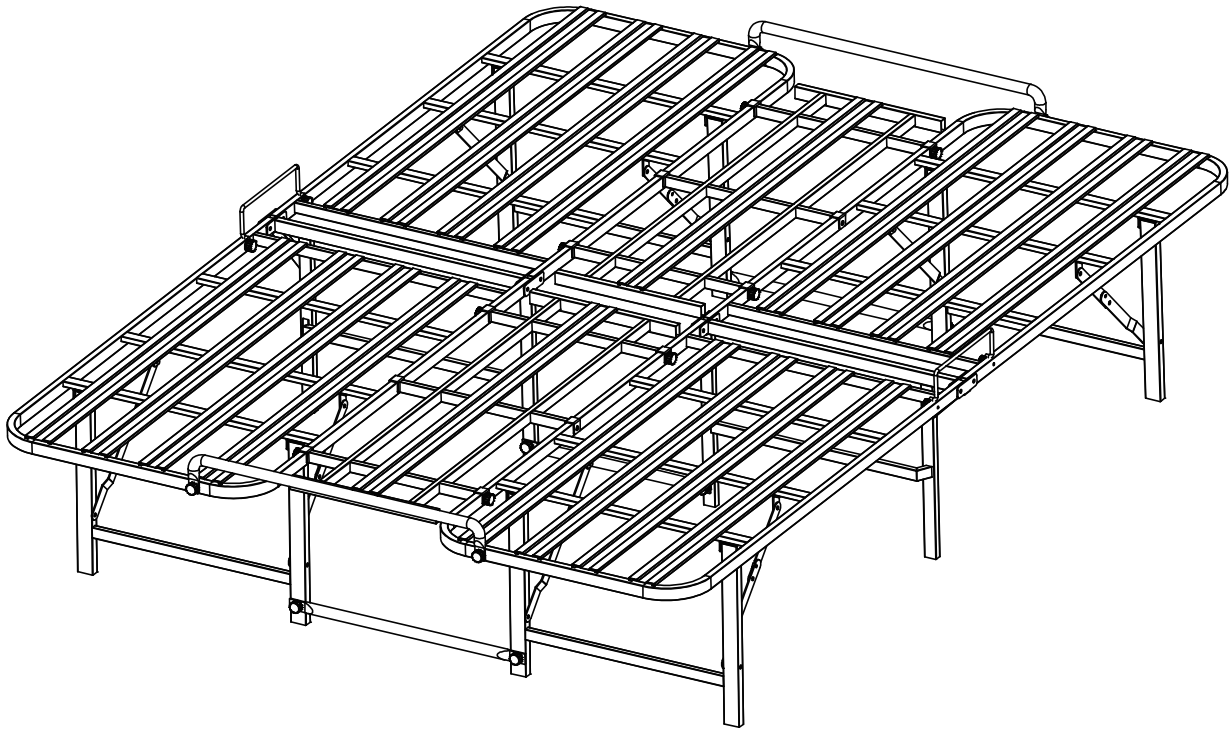
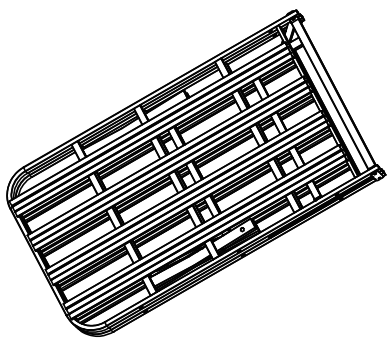


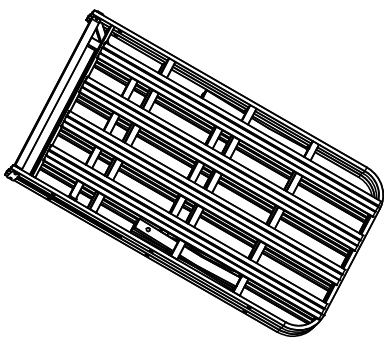
# Folding Bed Frame Assembly Instructions



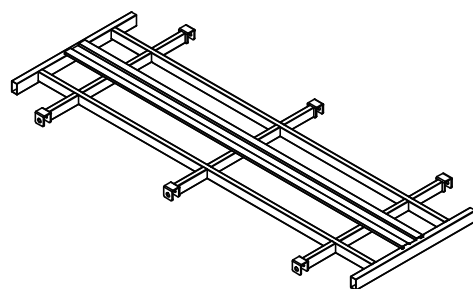
If you have any questions, please contact us



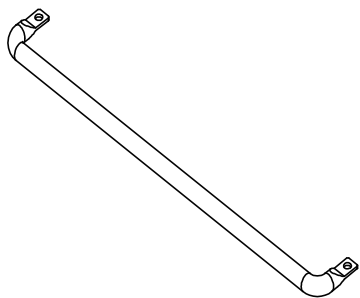
**A**  
**x1**



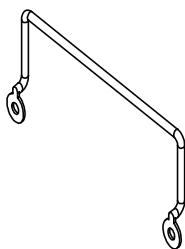
**B**  
**x1**



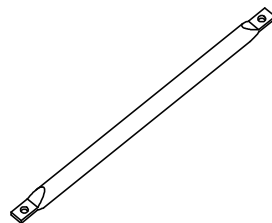
**C**  
**x2**



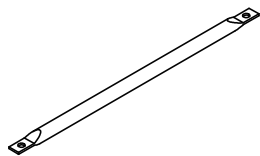
**D**  
**x2**



**E**  
**x2**

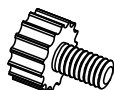


**F**  
**x1**



**G**

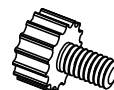
**x2**



**H**

**M 6 \* 27**

**x 8**



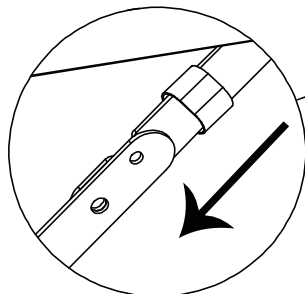
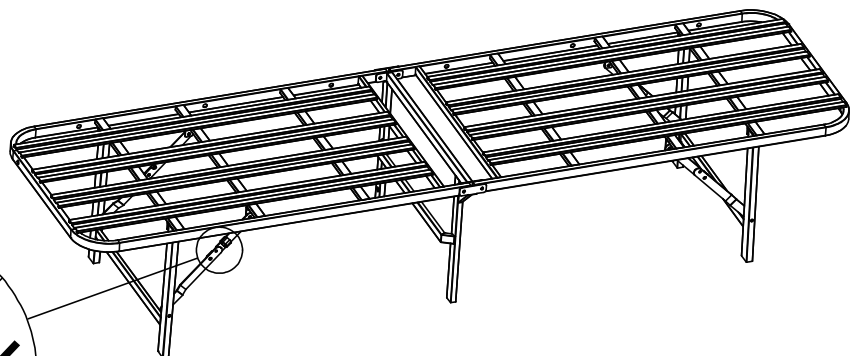
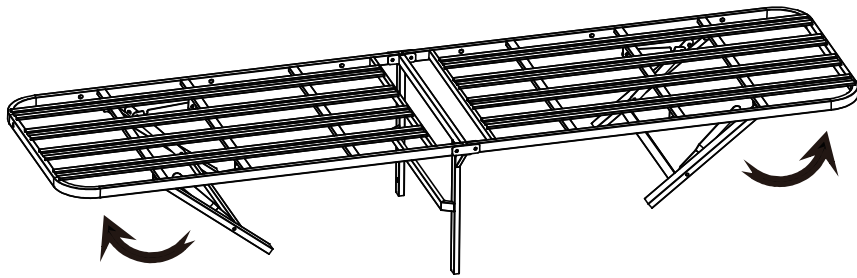
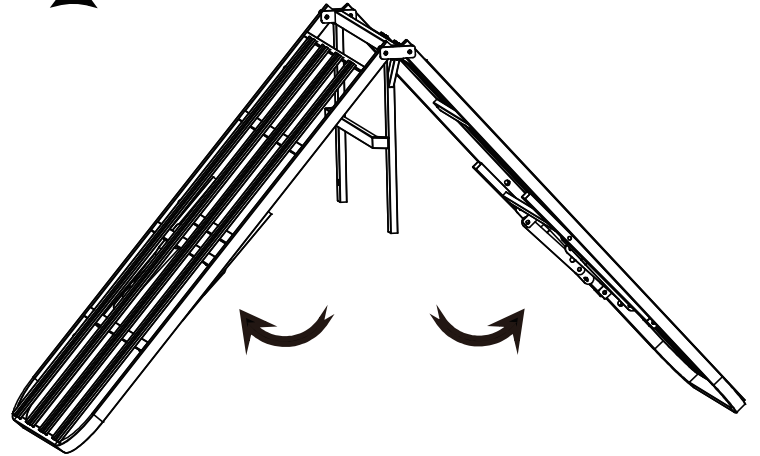
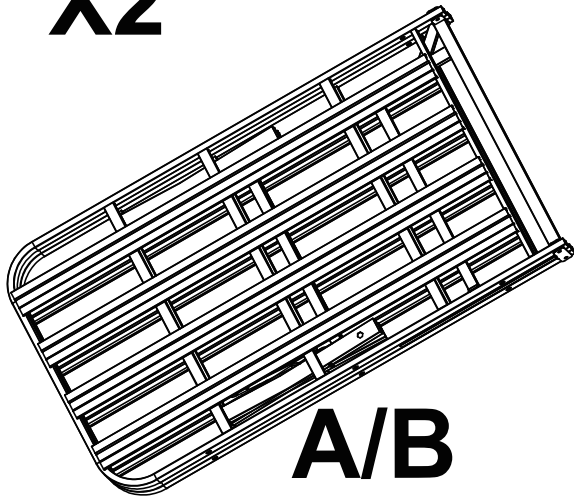
**I**

**M6 \* 13**

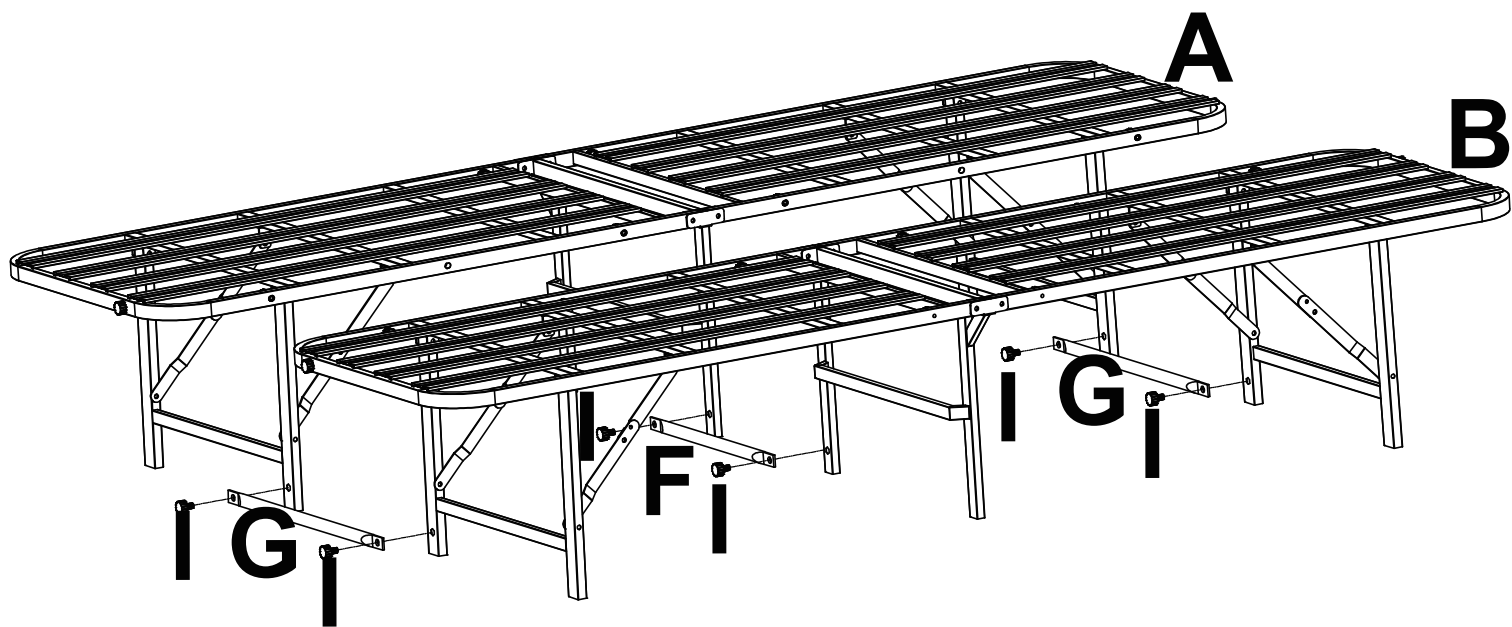
**x 14**

# Step 1

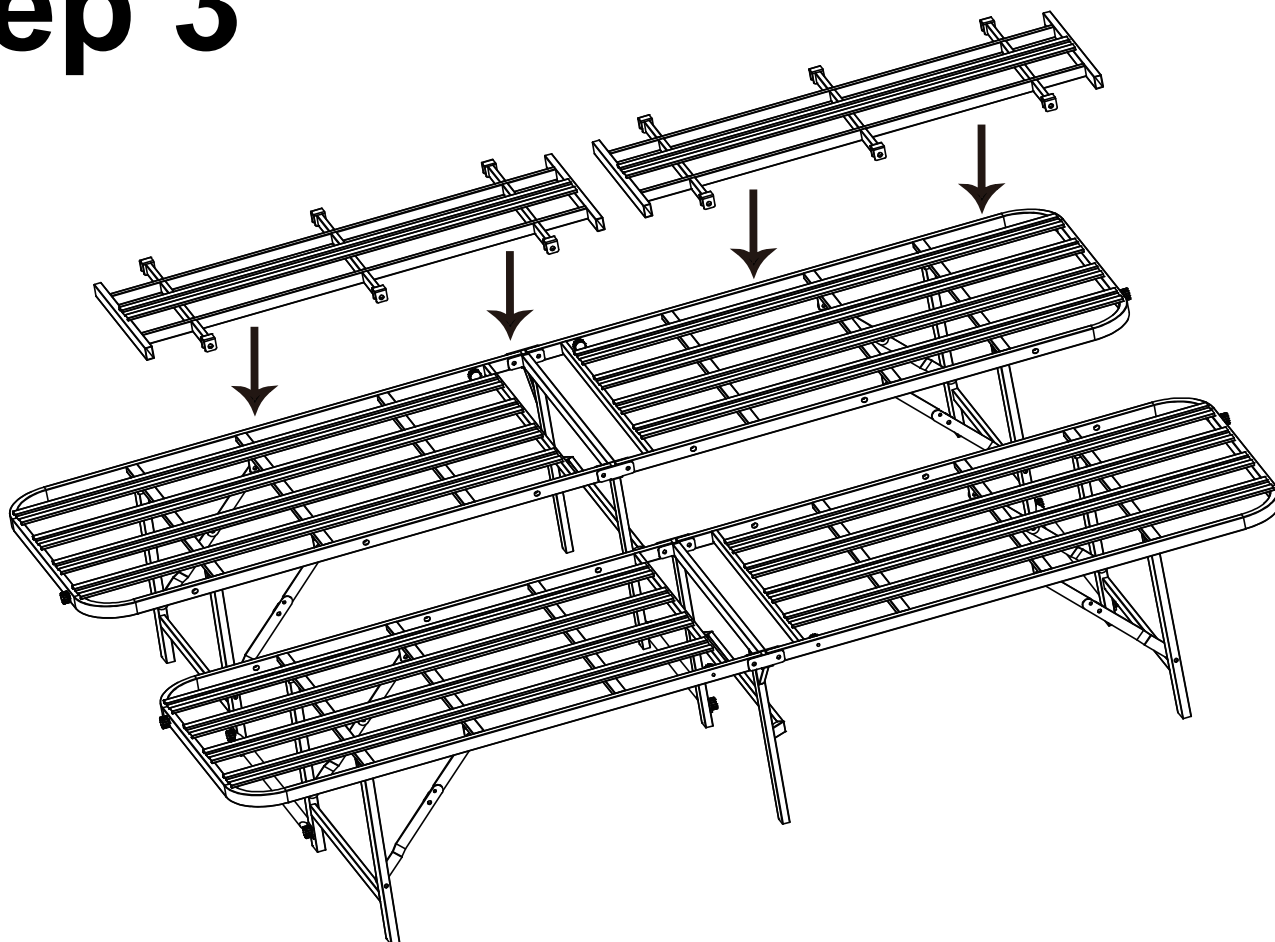
X2



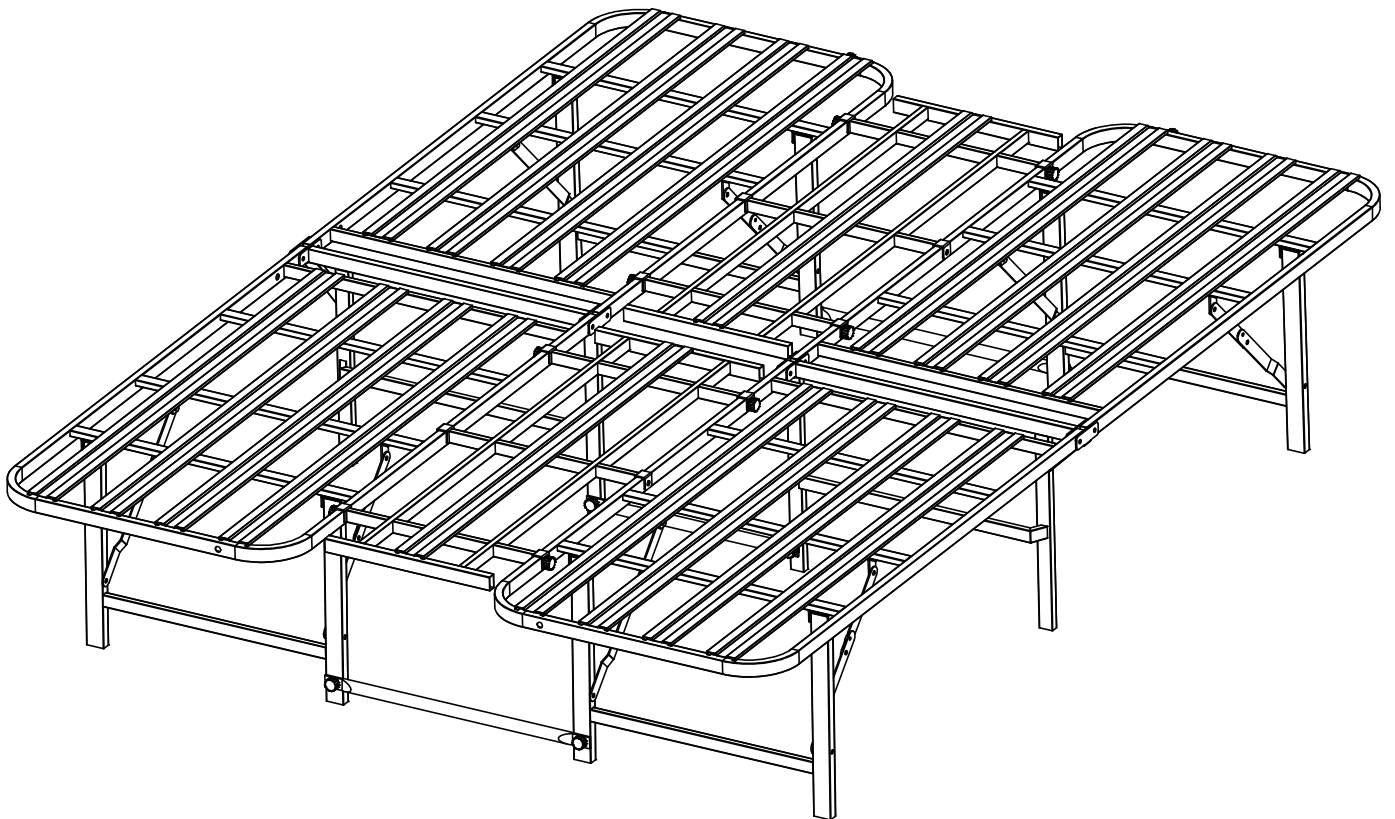
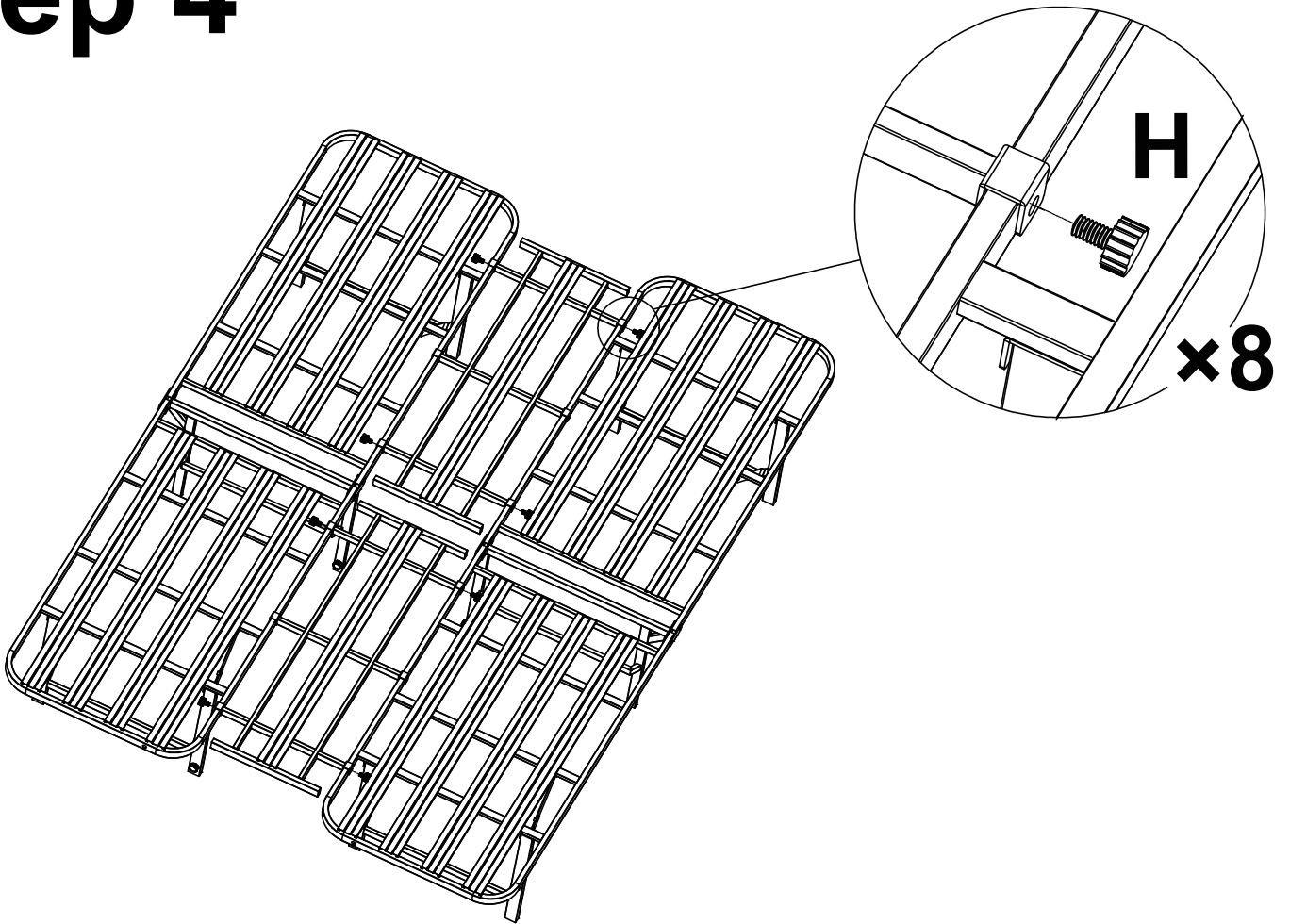
# Step 2



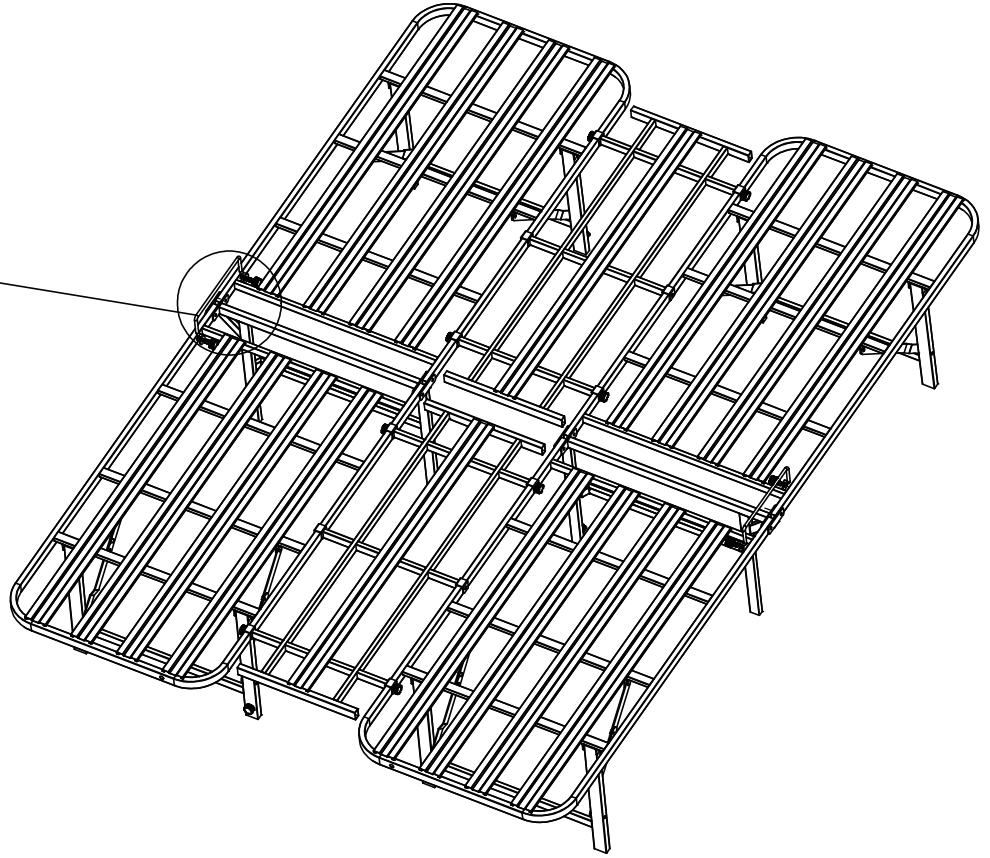
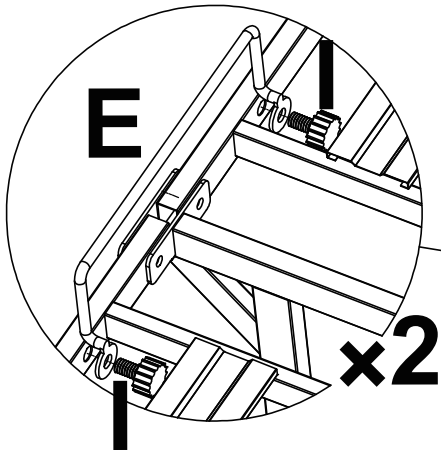
# Step 3



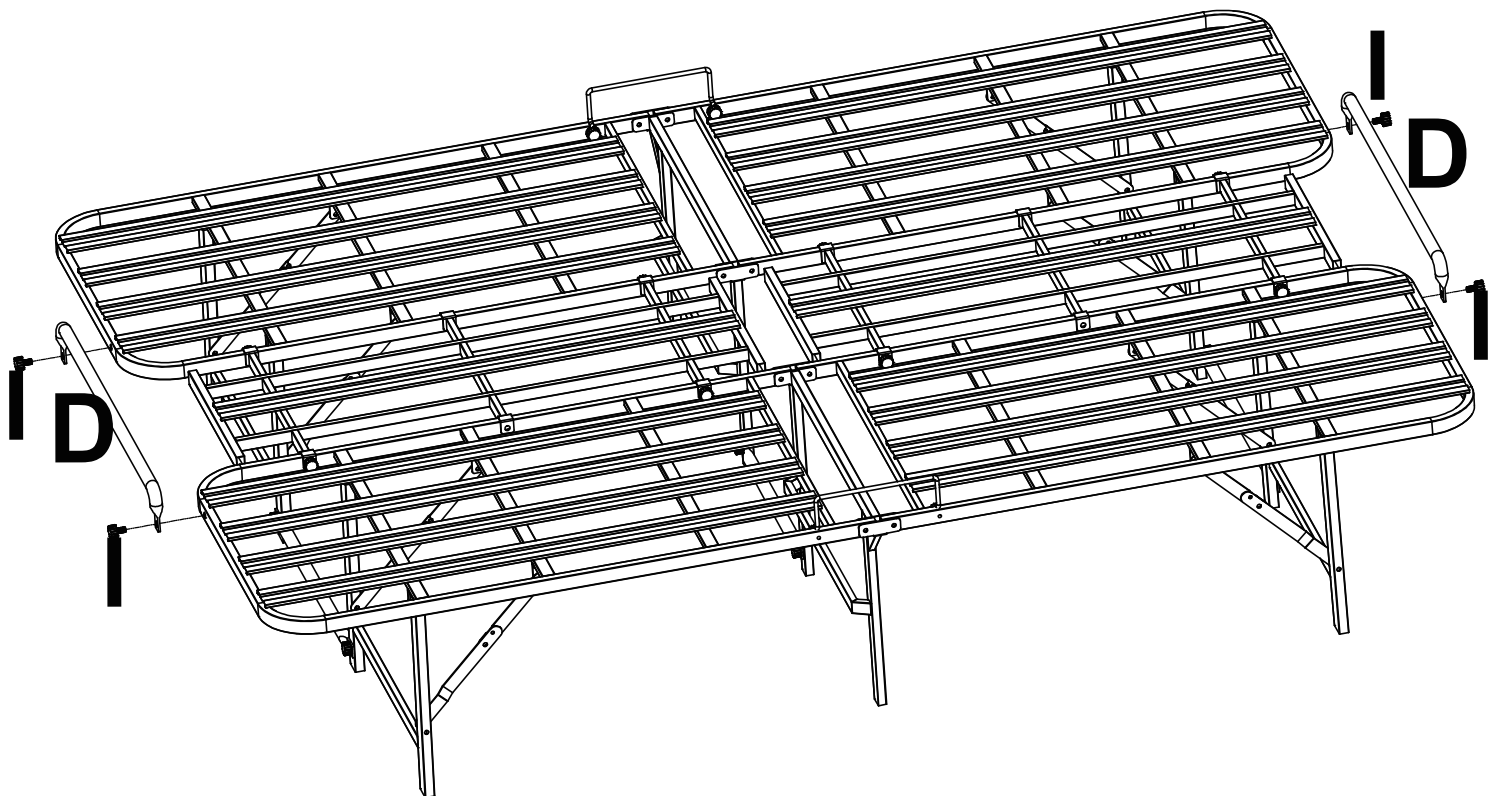
# Step 4



# Step 5



# Step 6



# Notes

If you plan to place our metal bed frame inside the bed as a support base, please do not carry out the installation operations of the fifth and sixth steps. After completing the installation of the bed frame and securing it properly in accordance with the fourth step, simply follow the following diagrams for use. Otherwise, it may cause a mismatch with the mattress and result in the inability to use it.

