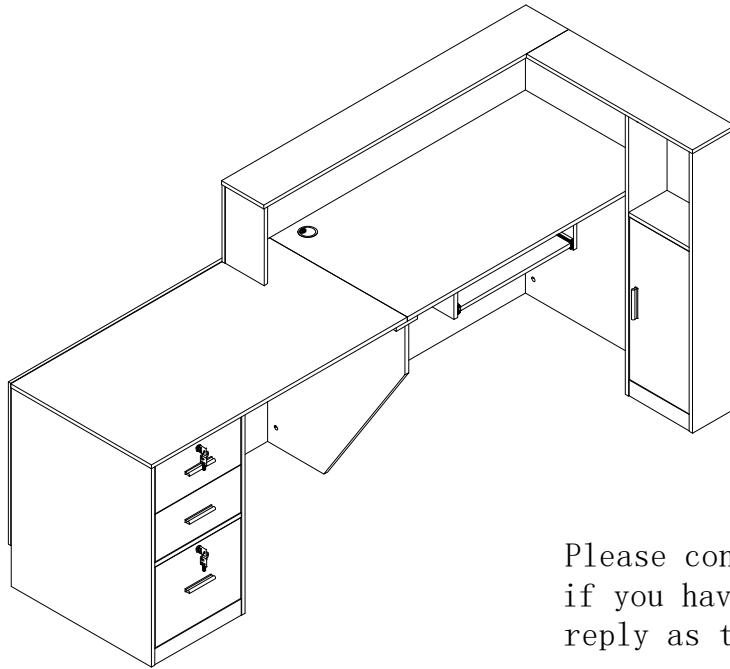
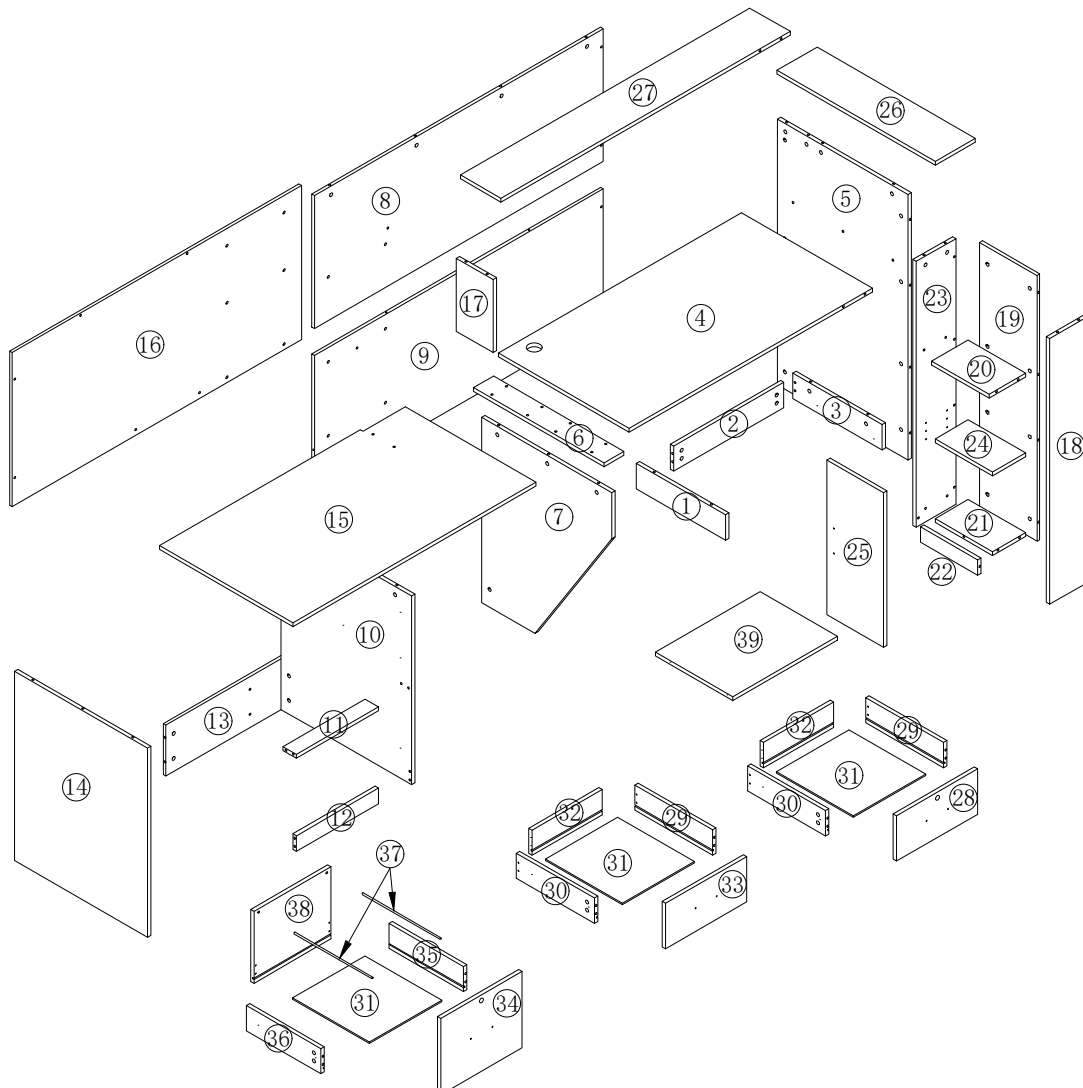


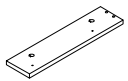
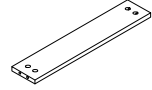
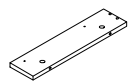
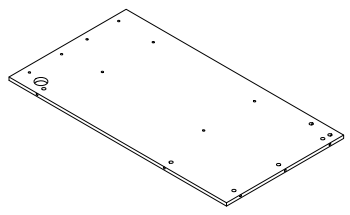
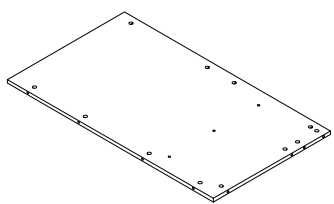
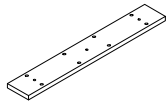
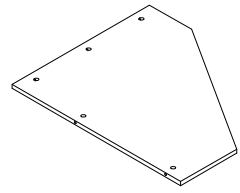
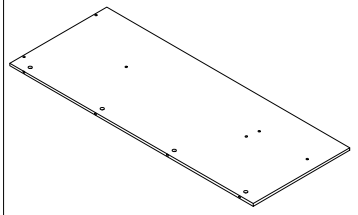
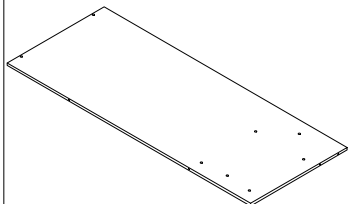
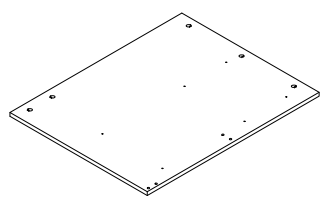
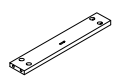
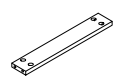
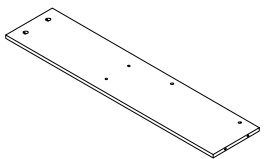
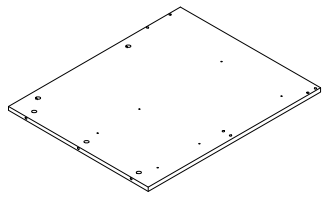
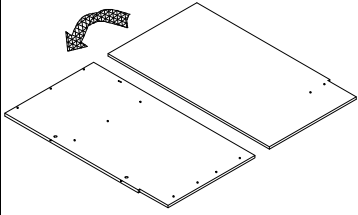
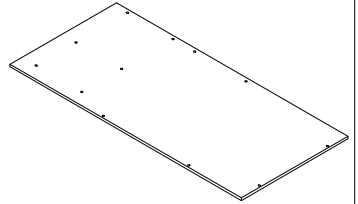
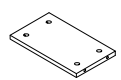
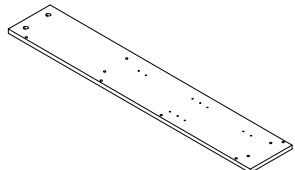
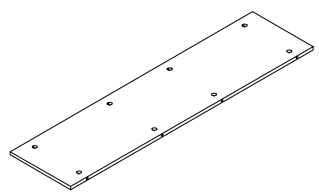
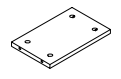
# ASSEMBLY INSTRUCTION



Please contact  
if you have any questions, we will  
reply as the first time.





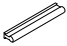

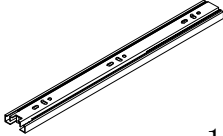

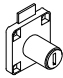




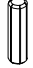

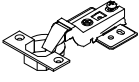



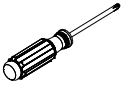


# ASSEMBLY INSTRUCTION

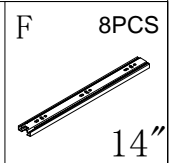
① 1PC 	② 1PC 	③ 1PC 	④ 1PC 
⑤ 1PC 	⑥ 1PC 	⑦ 1PC 	⑧ 1PC 
⑨ 1PC 	⑩ 1PC 	⑪ 1PC 	⑫ 1PC 
⑬ 1PC 	⑭ 1PC 	⑮ 1PC 	⑯ 1PC 
⑰ 1PC 	⑱ 1PC 	⑲ 1PC 	⑳ 1PC 

# ASSEMBLY INSTRUCTION

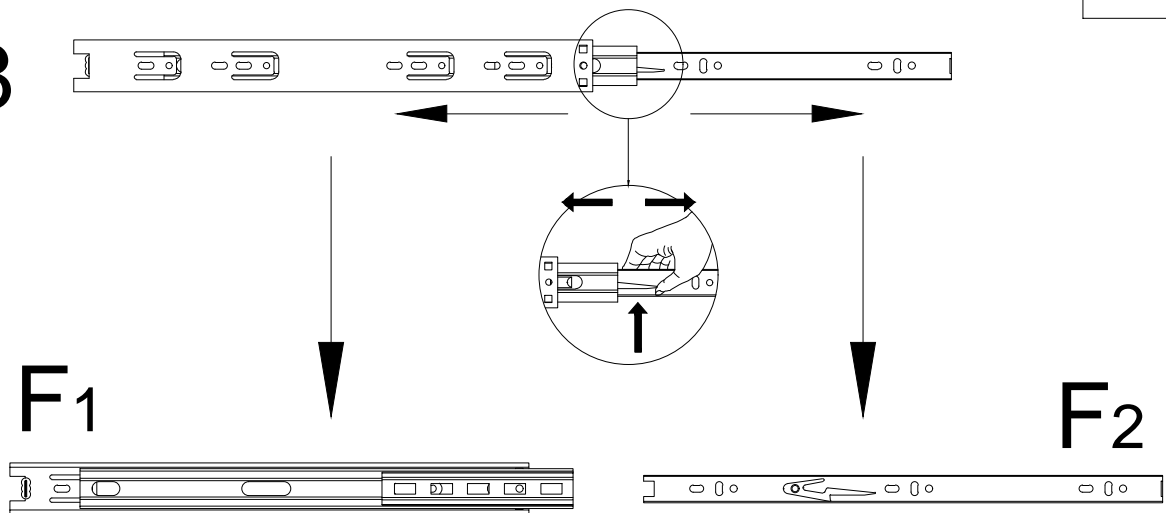
# ASSEMBLY INSTRUCTION

<p>A 97PCS</p>  <p>M6*40</p>	<p>B 97PCS</p>  <p>Ø15*9.5</p>	<p>C 44PCS</p>  <p>Ø3.5*14</p>	<p>D 14PCS</p> 
<p>E 4sets</p>  <p>96#</p>  <p>M4*18</p>	<p>F 8PCS</p>  <p>14"</p>	<p>G 12PCS</p>  <p>Ø3.5*40</p>	<p>H 2sets</p>  <p>H1</p>  <p>H2</p>  <p>H3</p>  <p>H4</p> <p>Ø3.5*20</p>
<p>I 16PCS</p>  <p>M6*25</p>	<p>J 6PCS</p>  <p>Ø6*40</p>	<p>K 4PCS</p>  <p>Ø5*15</p>	<p>L 2PCS</p> 
<p>M 1PC</p>  <p>Ø50</p>	<p>N 85PCS</p> 	<p>O 12PCS</p> 	

## Step 1



**Fx8**

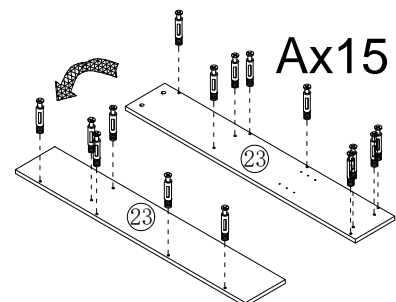
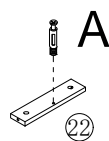
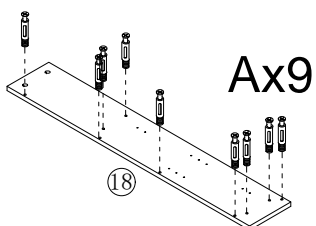
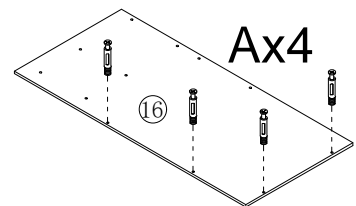
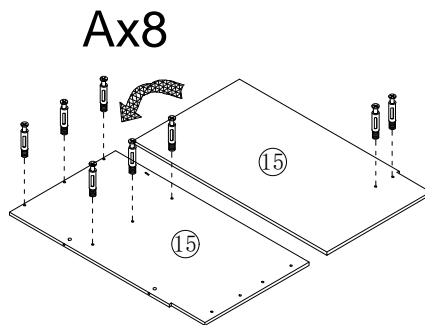
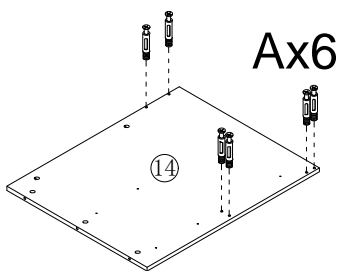
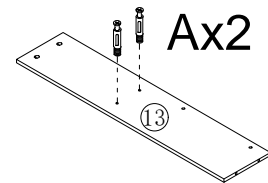
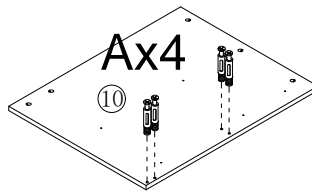
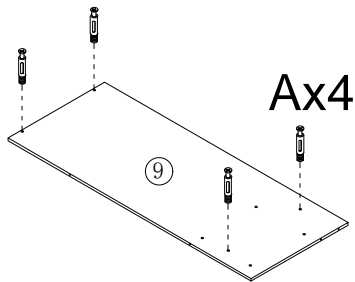
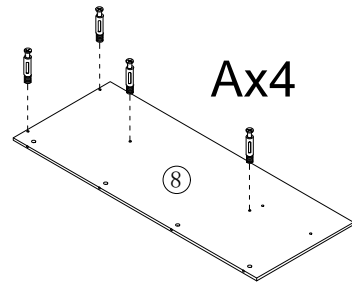
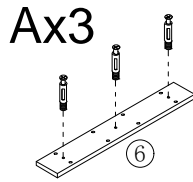
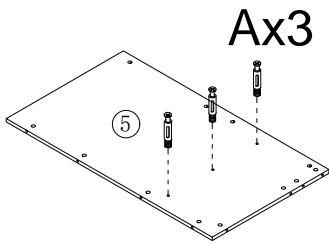
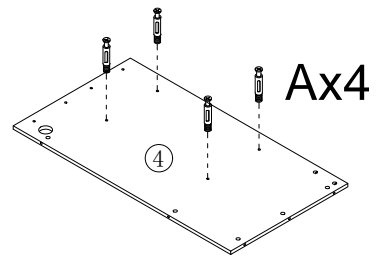
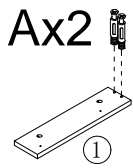


## Step 2

A 71PCS



M6\*40



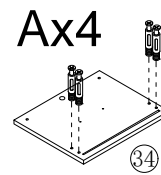
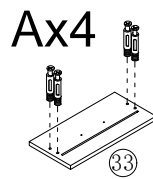
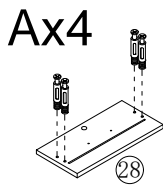
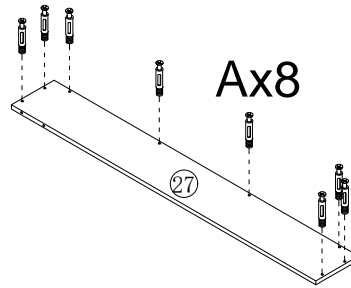
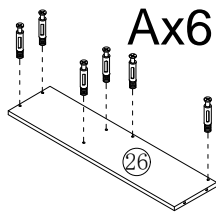
# ASSEMBLY INSTRUCTION

## Step 3

A 26PCS



M6\*40



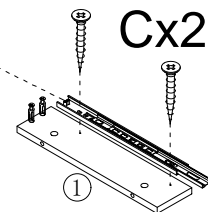
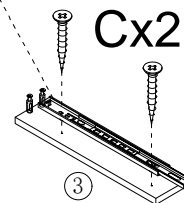
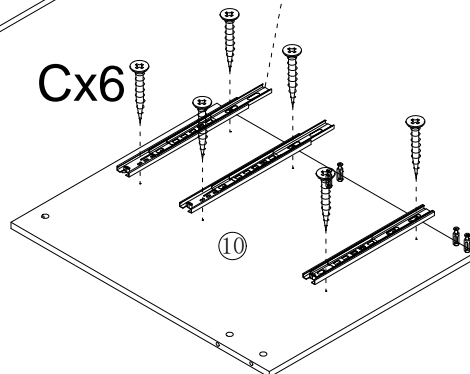
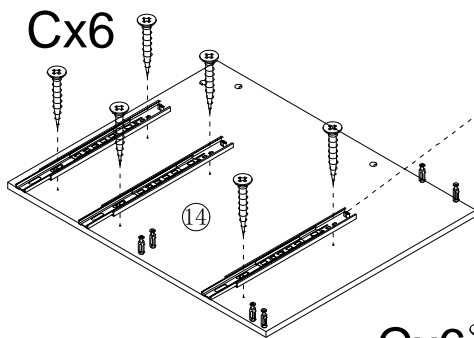
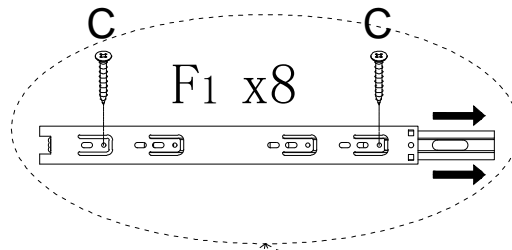
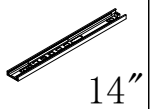
## Step 4

C 16PCS




Ø3.5\*14

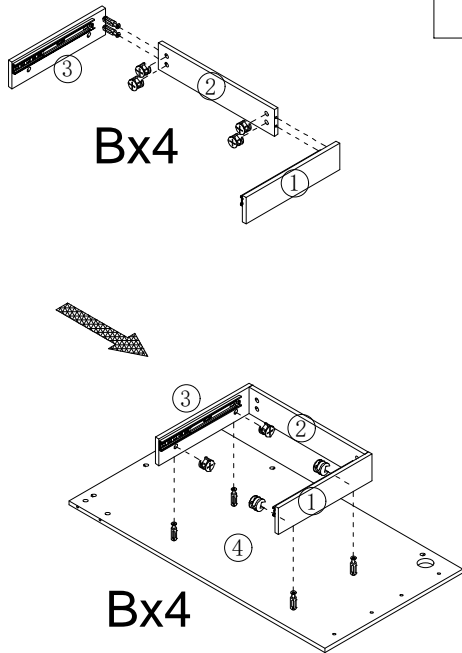
F1 8PCS




# ASSEMBLY INSTRUCTION

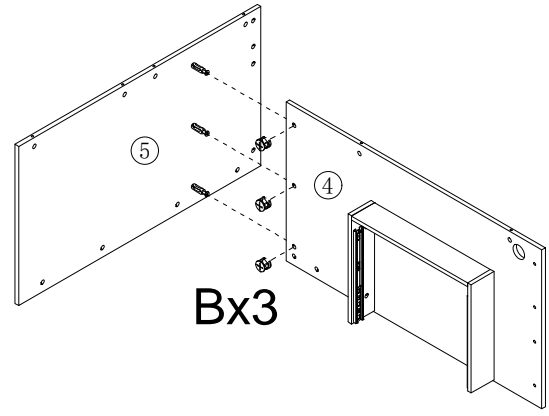
## Step 5

B 8PCS  
  
Ø15\*9.5





## Step 6

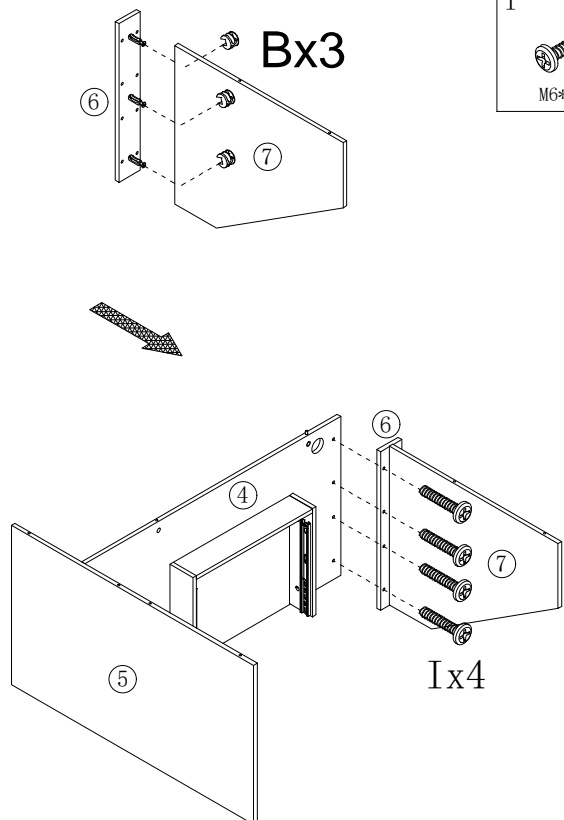
B 3PCS  
  
Ø15\*9.5




## Step 7

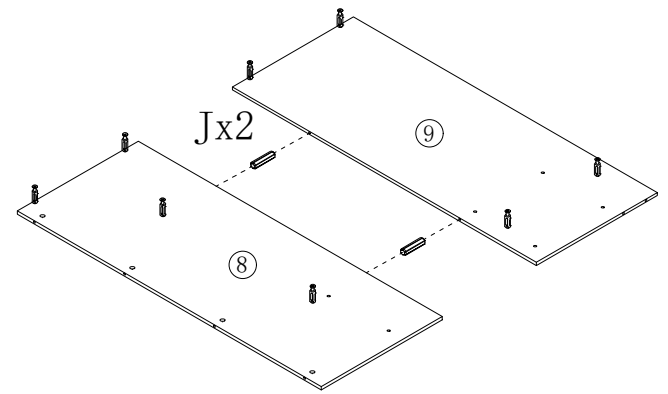
B 3PCS  
  
Ø15\*9.5

I 4PCS  
  
M6\*25



## Step 8

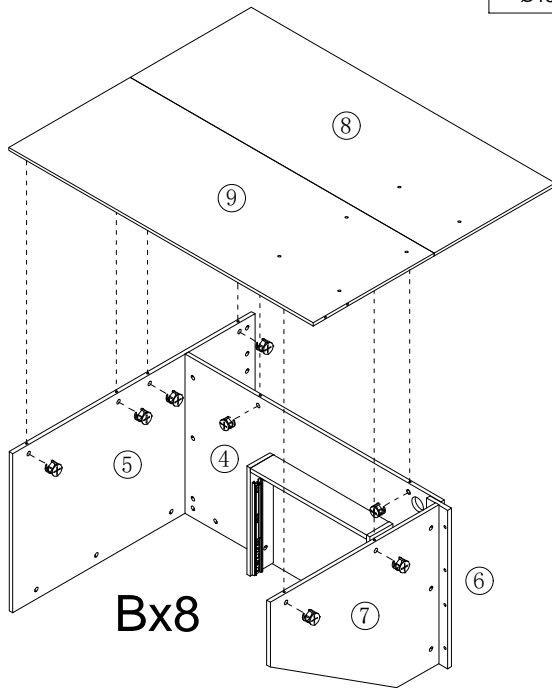
J 2PCS  
  
Ø6\*40



# ASSEMBLY INSTRUCTION

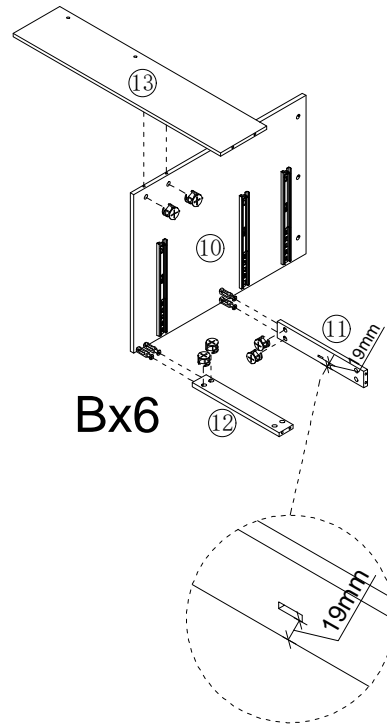
## Step 9

B 8PCS  
Ø15\*9.5



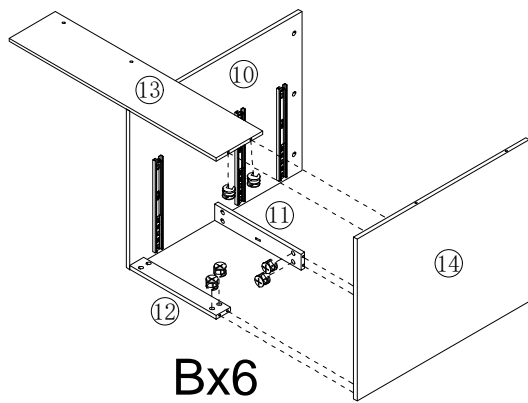
## Step 10

B 6PCS  
Ø15\*9.5



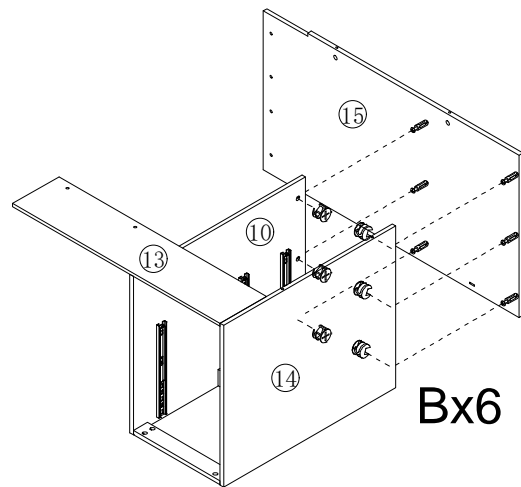
## Step 11

B 6PCS  
Ø15\*9.5




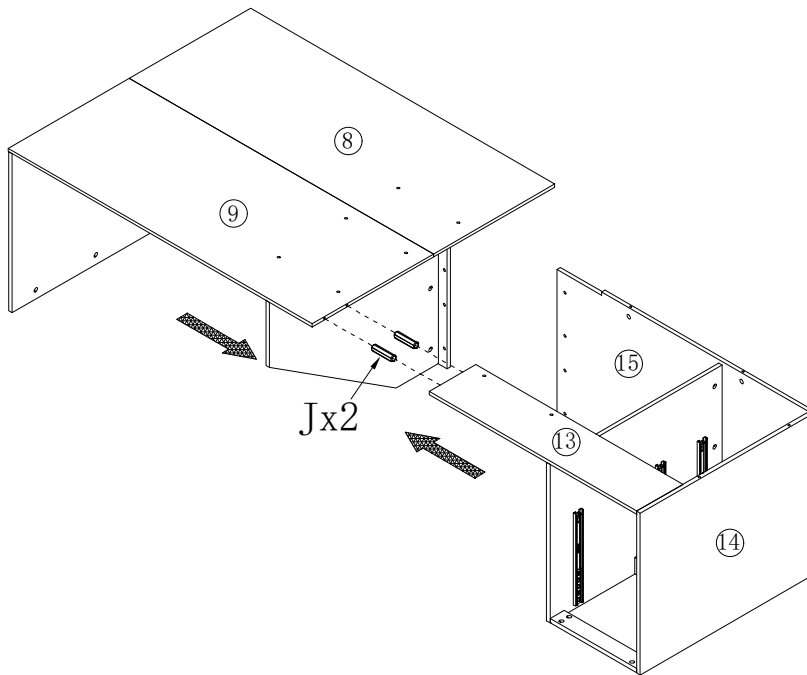
## Step 12

B 6PCS  
Ø15\*9.5




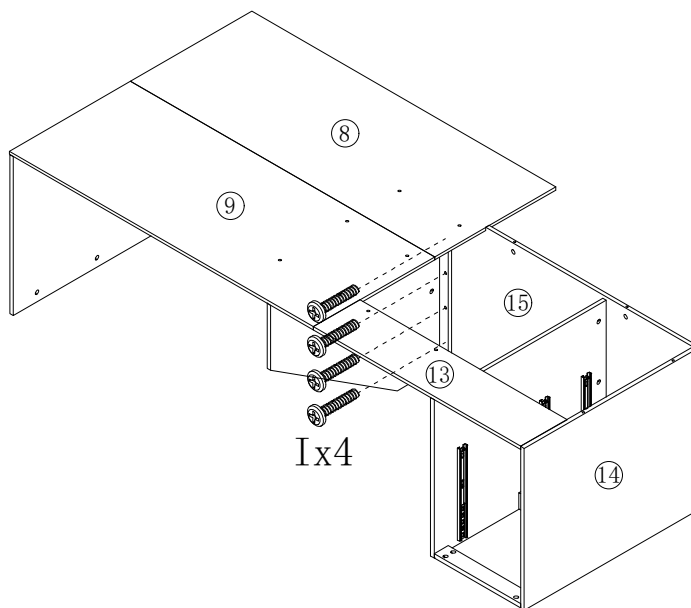
## Step 13

J 2PCS  
  
Ø6\*40





## Step 14

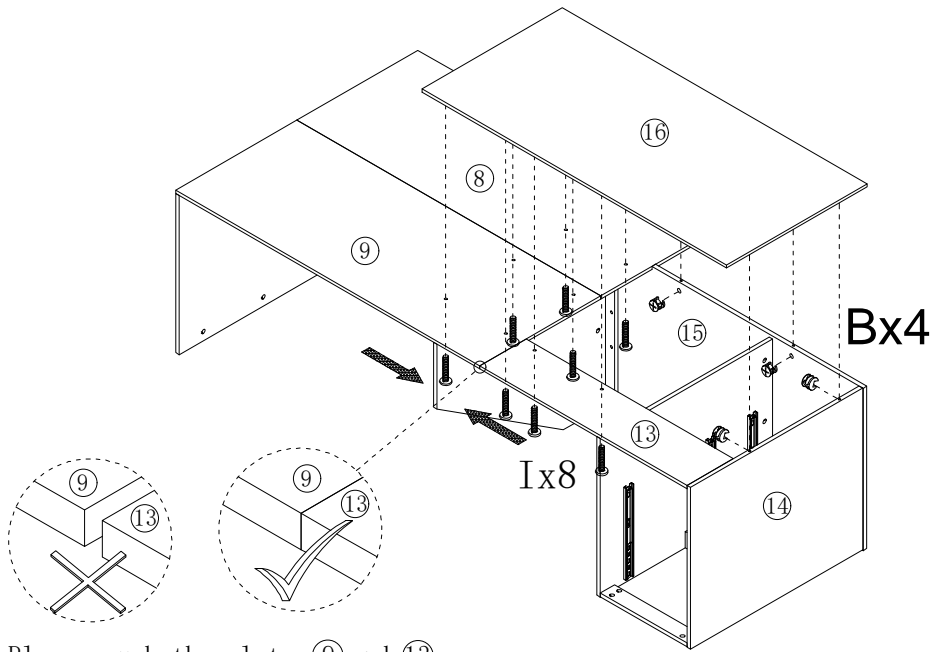
I 4PCS  
  
M6\*25



# ASSEMBLY INSTRUCTION


## Step 15

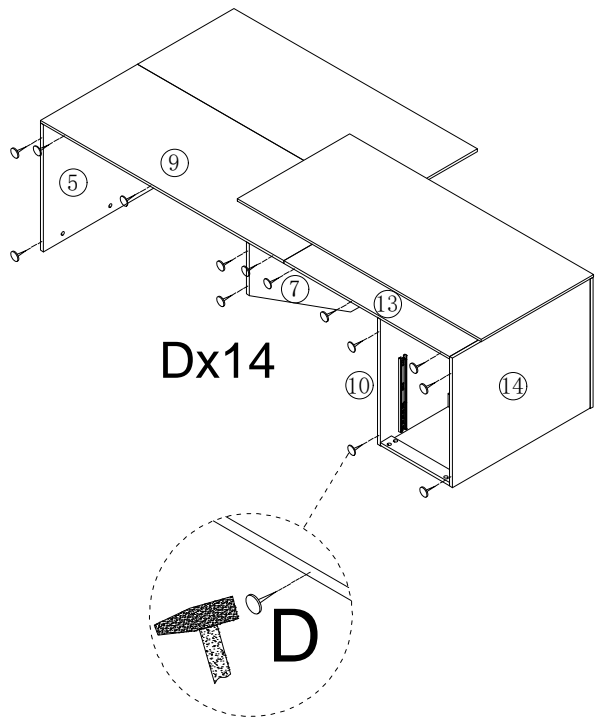
B	4PCS
	
Ø15*9.5	
I	8PCS
	
M6*30	




Please push the plates ⑨ and ⑬ tightly together, and then tighten the accessory screw I.

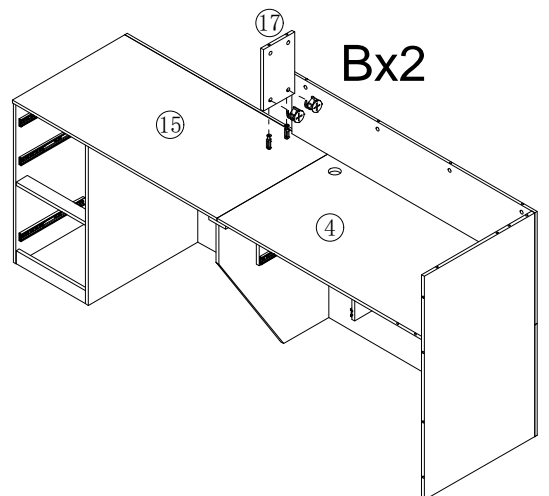
## Step 16

D	14PCS
	




## Step 17

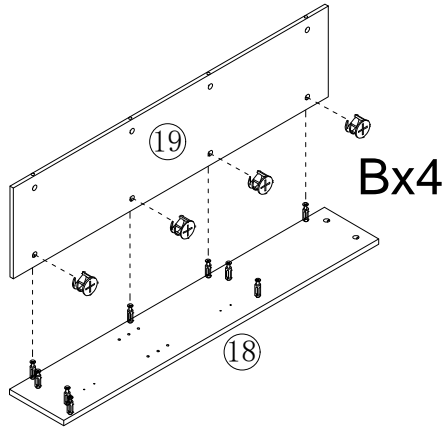
B	2PCS
	
Ø15*9.5	




# ASSEMBLY INSTRUCTION

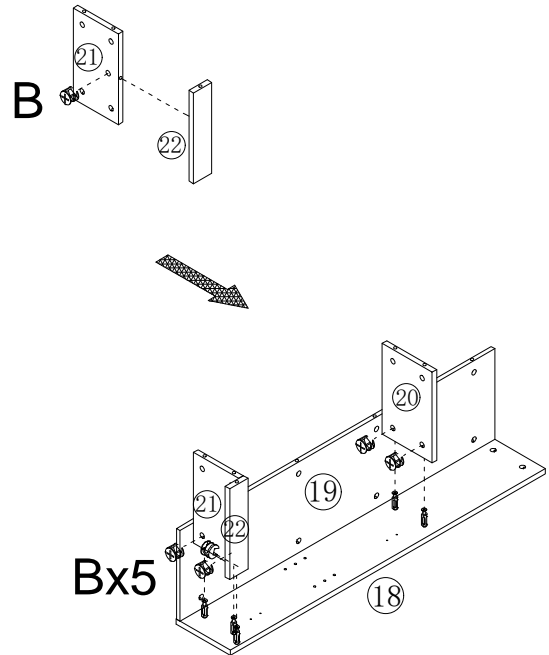
## Step 18

B 4PCS  
  
Ø15\*9.5




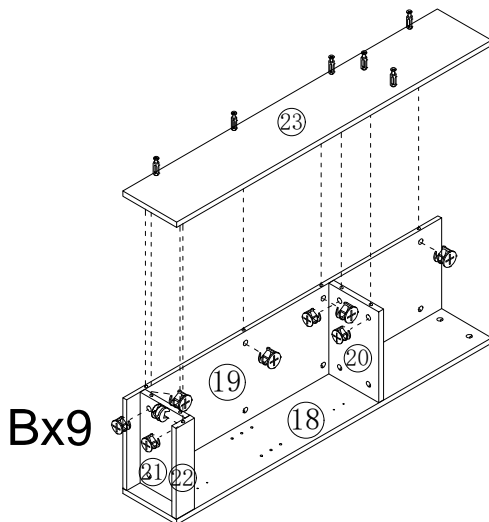
## Step 19

B 6PCS  
  
Ø15\*9.5




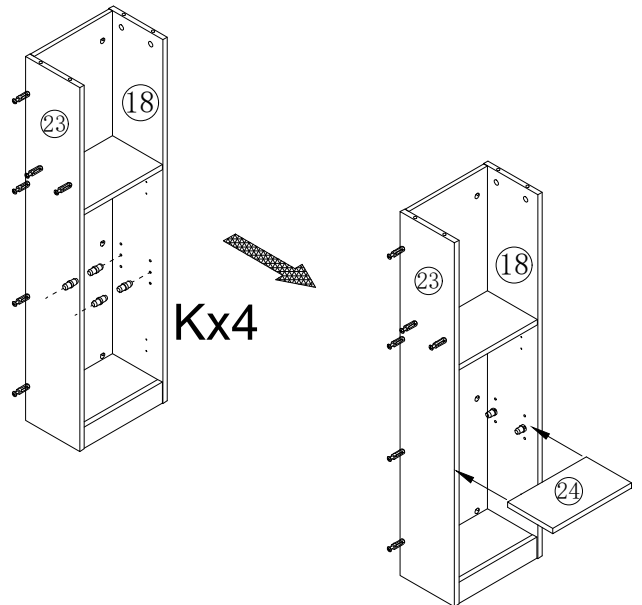
## Step 20

B 9PCS  
  
Ø15\*9.5



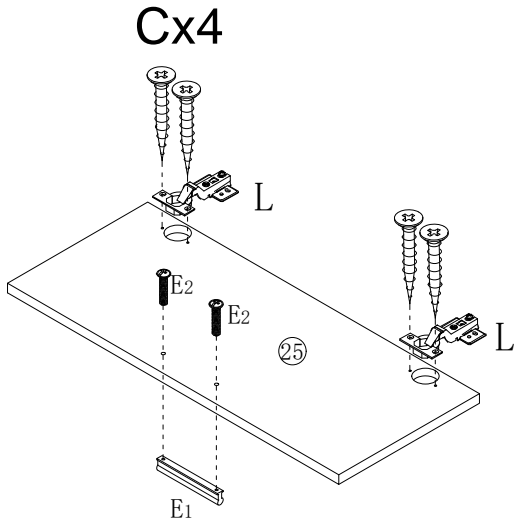
## Step 21

K 4PCS  
  
Ø5\*15



# ASSEMBLY INSTRUCTION

## Step 22

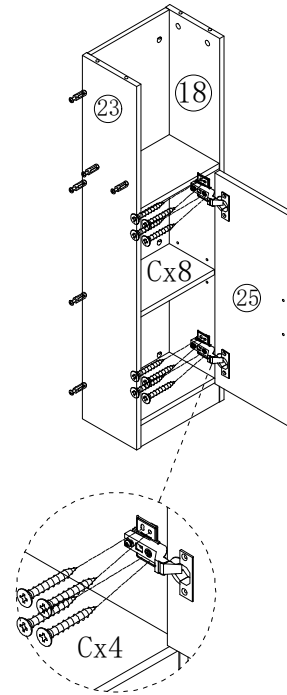


C 4PCS  
Ø3.5\*14

E 1set  
96# M4\*18

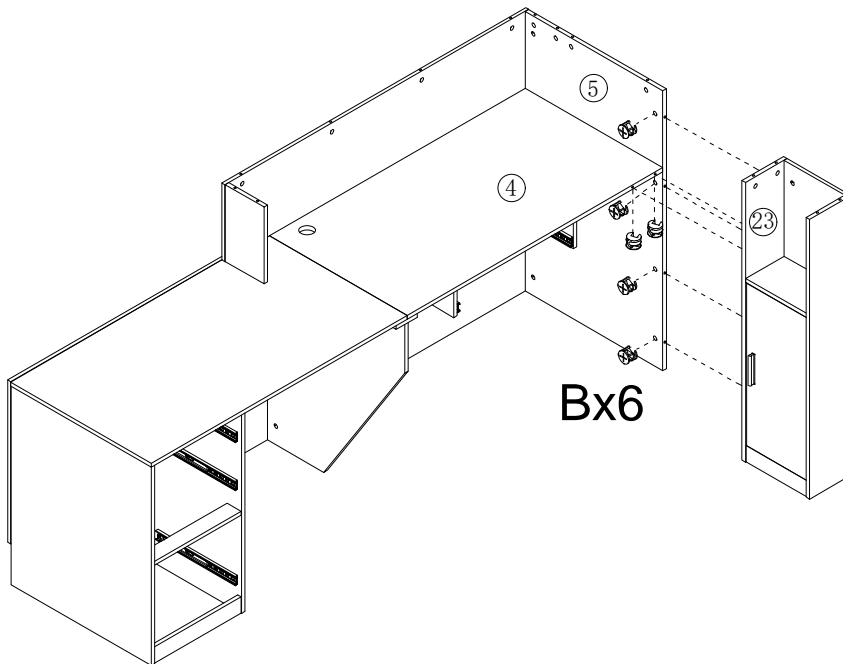
L 2PCS

## Step 23



C 8PCS  
Ø3.5\*14

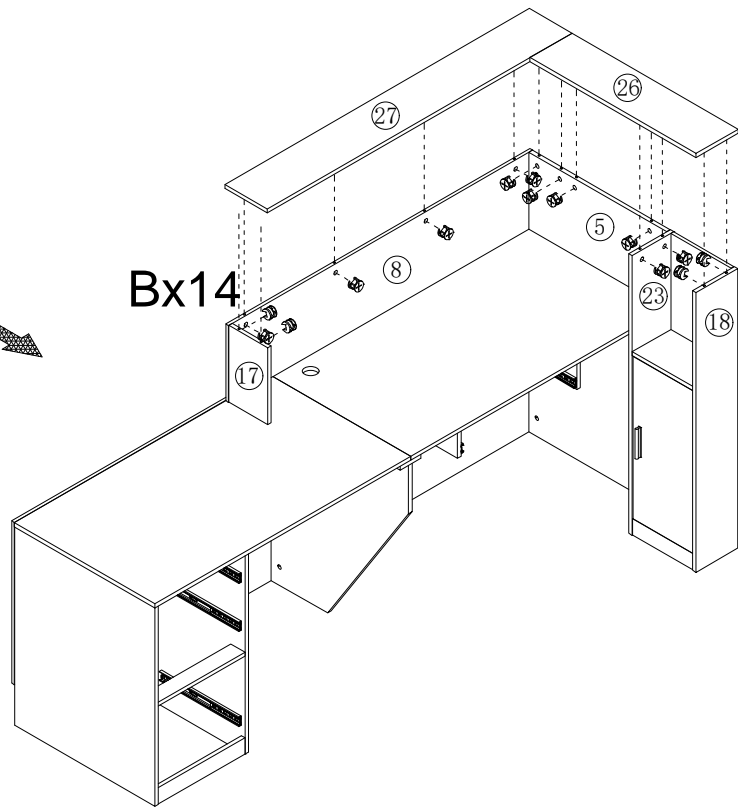
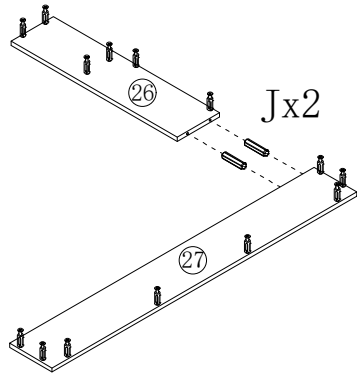
## Step 24



B 6PCS  
Ø15\*9.5

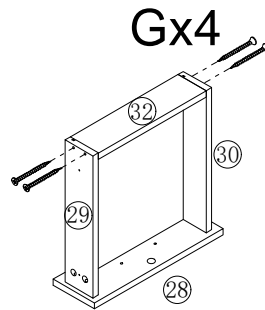
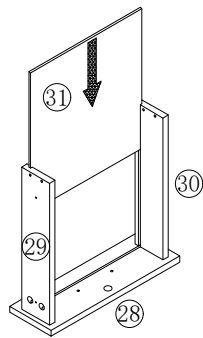
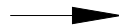
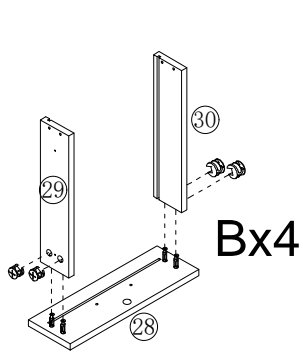
# ASSEMBLY INSTRUCTION

## Step 25

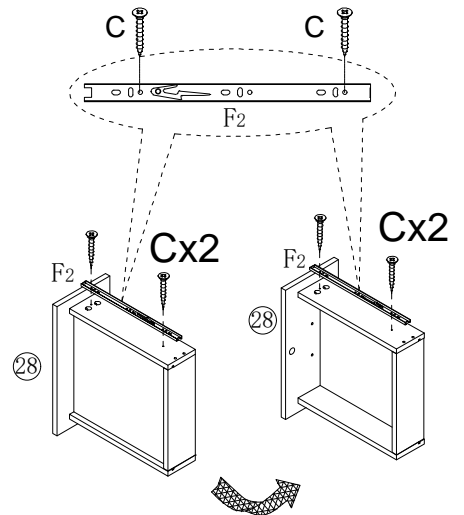
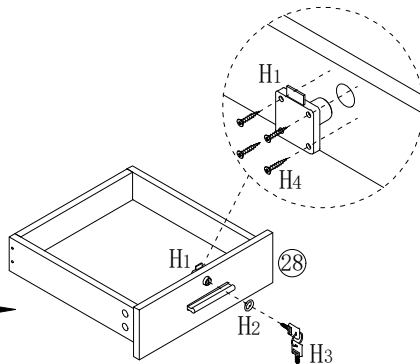
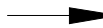
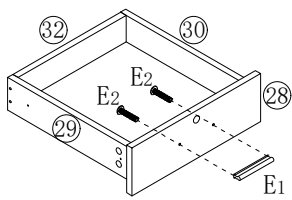


B	14PCS
	$\text{Ø}15^*9.5$
J	2PCS
	$\text{Ø}6^*40$

## Step 26

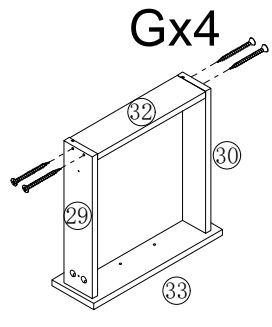
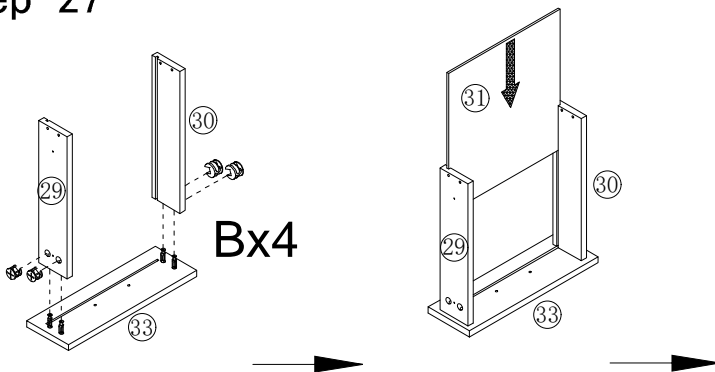


B	4PCS	F <sub>2</sub>	2PCS
	$\text{Ø}15^*9.5$		14"
C	4PCS	G	4PCS
	$\text{Ø}3.5^*14$		$\text{Ø}3.5^*40$
E	1set	H	1set
	M4*18		$\text{Ø}H_1$ $\text{Ø}H_2$ $\text{Ø}H_3$ $\text{Ø}H_4$
96#			

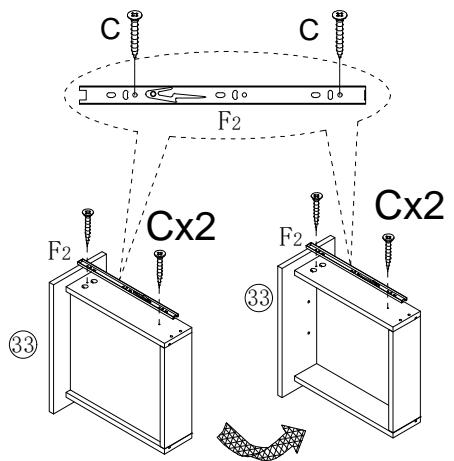
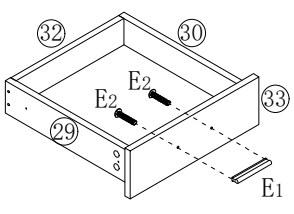


# ASSEMBLY INSTRUCTION

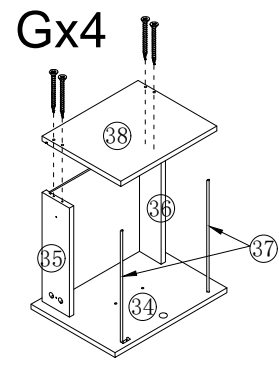
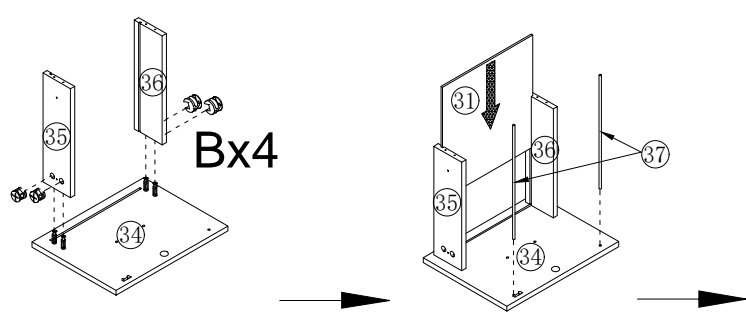
## Step 27



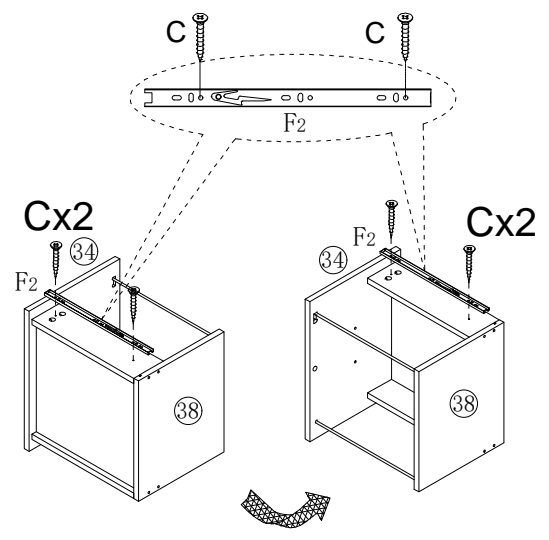
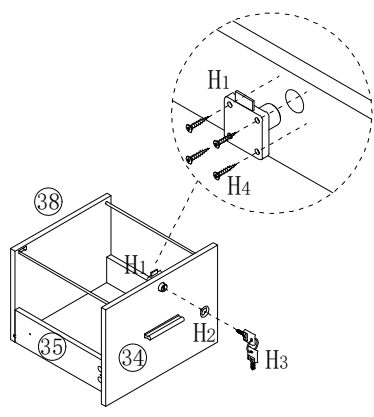
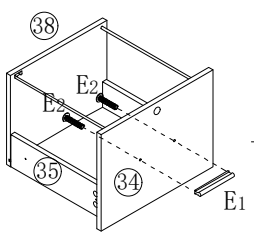
B	4PCS	E	1set
	Ø15*9.5	96#	M4*18
C	4PCS	F <sub>2</sub>	2PCS
	Ø3.5*14	14"	
G	4PCS		
	Ø3.5*40		



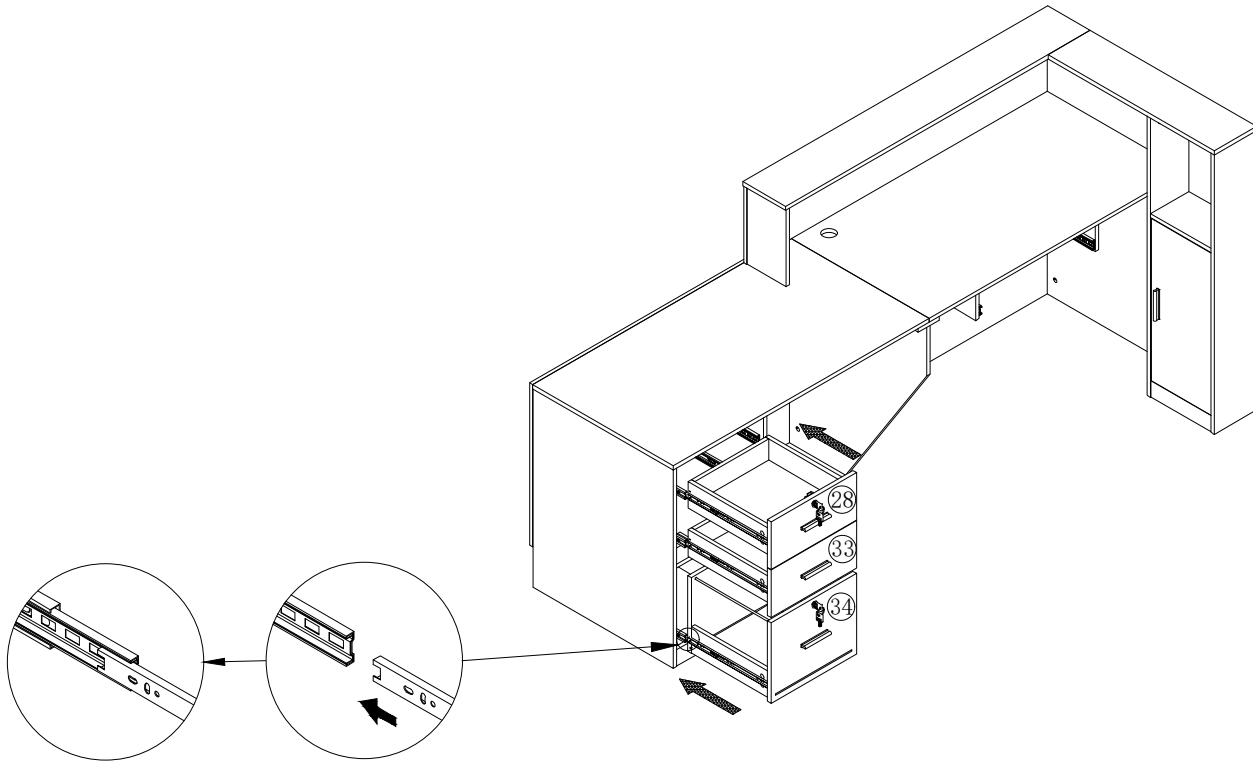
## Step 28



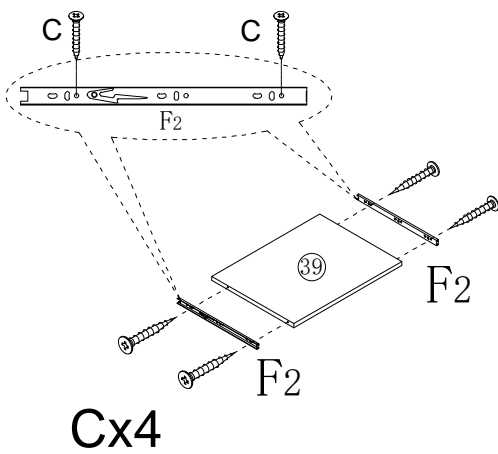
B	4PCS	F <sub>2</sub>	2PCS
	Ø15*9.5	14"	
C	4PCS	G	4PCS
	Ø3.5*14	Ø3.5*40	
E	1set	H	1set
	96#	M4*18	





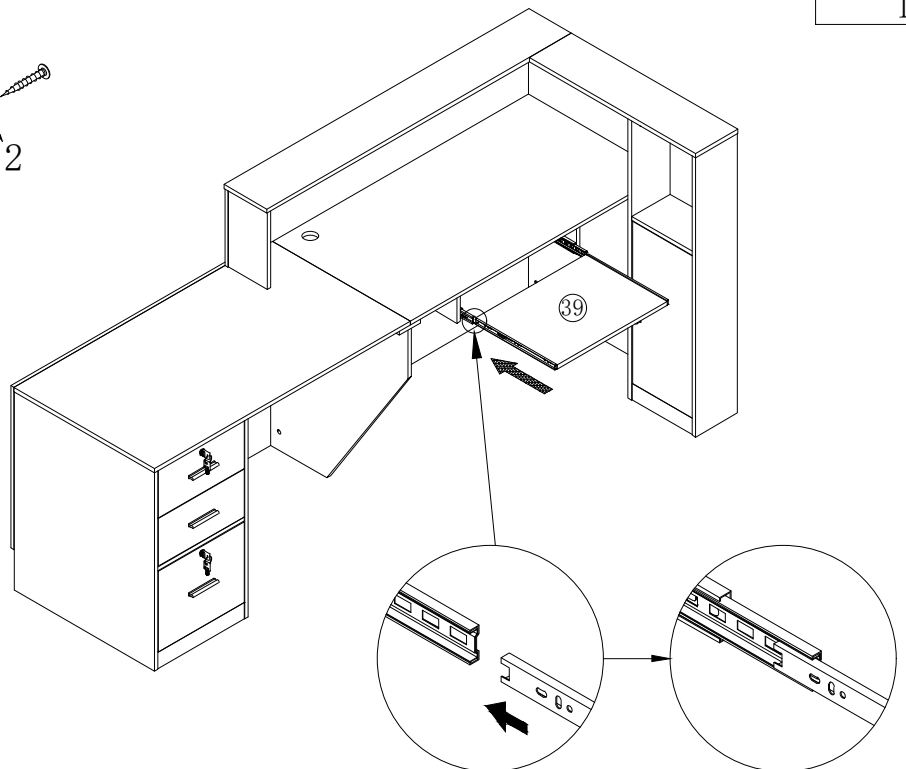
## Step 29




## Step 30

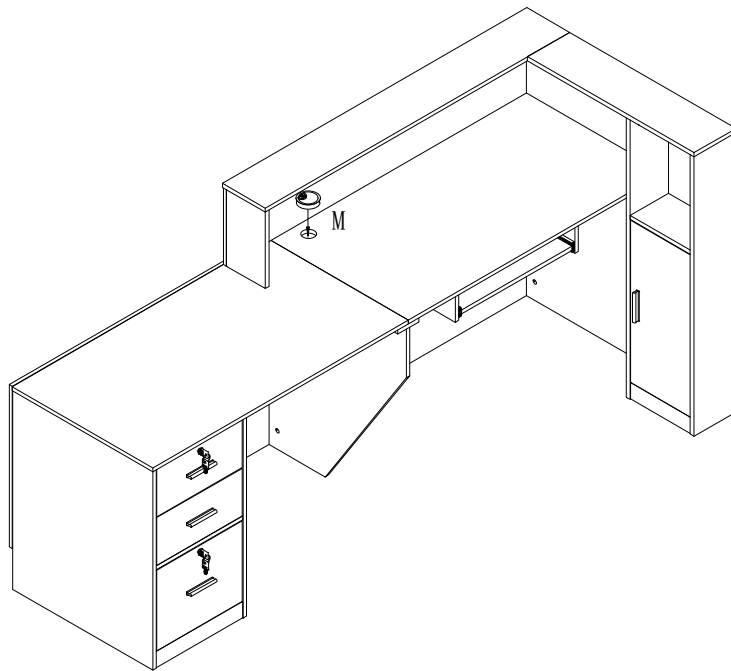


C	4PCS
	
Ø3.5*14	
F2	2PCS
	
14"	

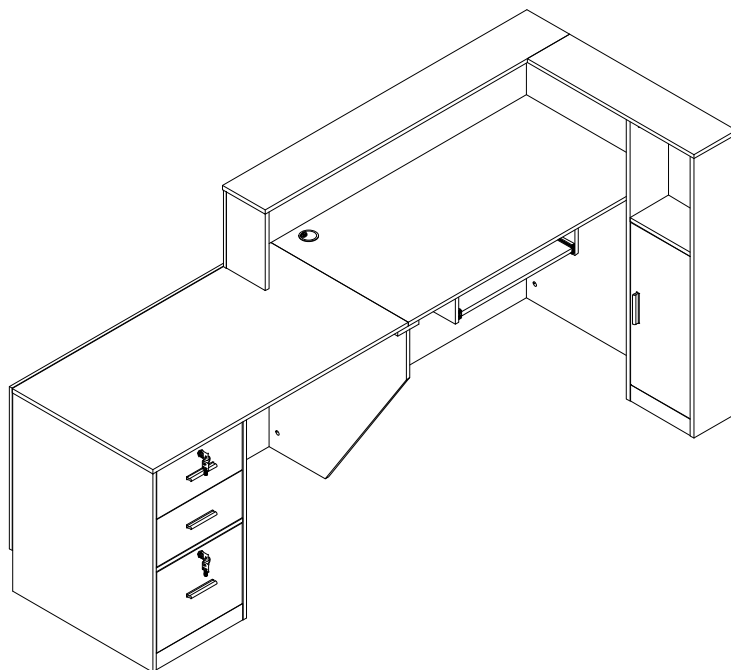


## Step 31

M 1PC  
  
Ø50



## Step 32



OK