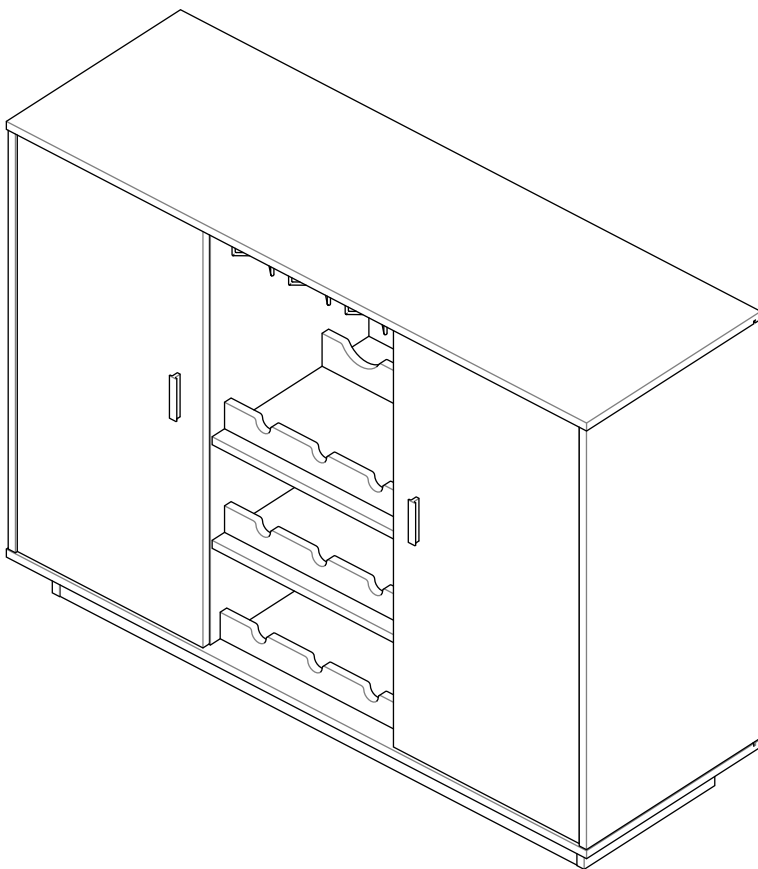
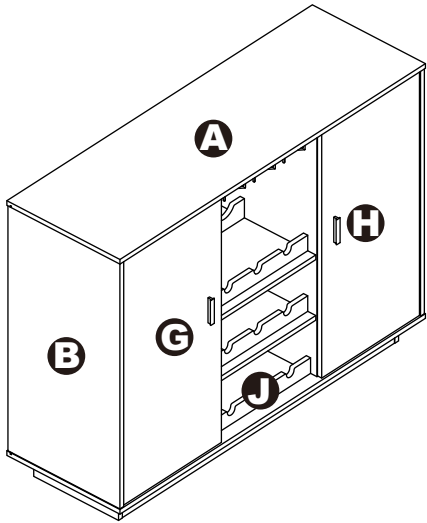


ASSEMBLY INSTRUCTIONS



WINE RACK

WINE RACK



DIMENSIONS
 Width - 47.24"
 Depth - 15.75"
 Height - 35.04"

PARTS LIST

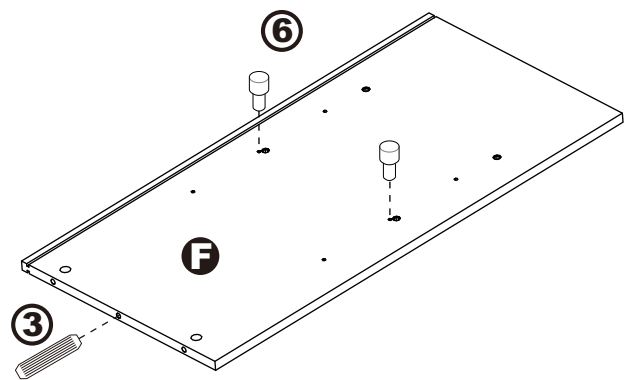
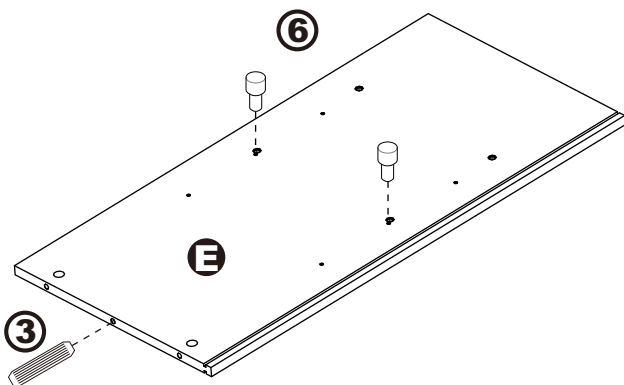
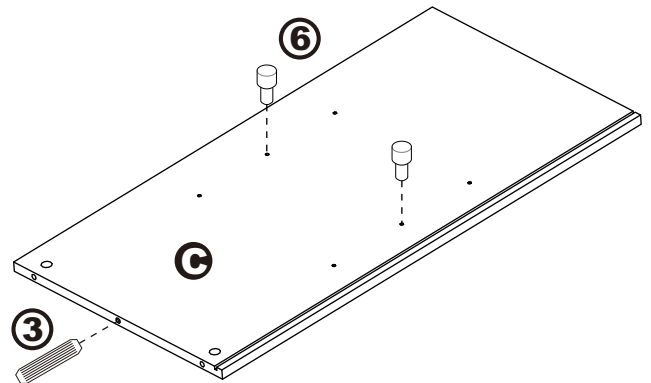
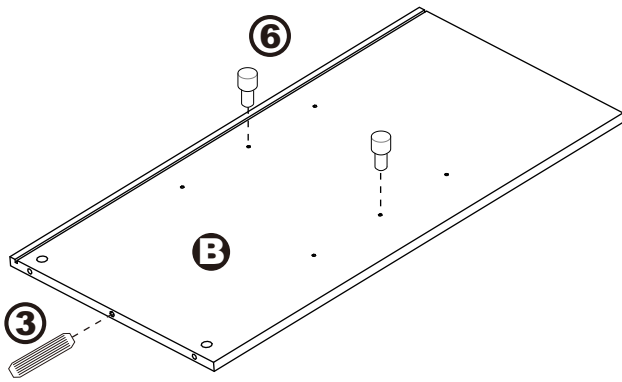
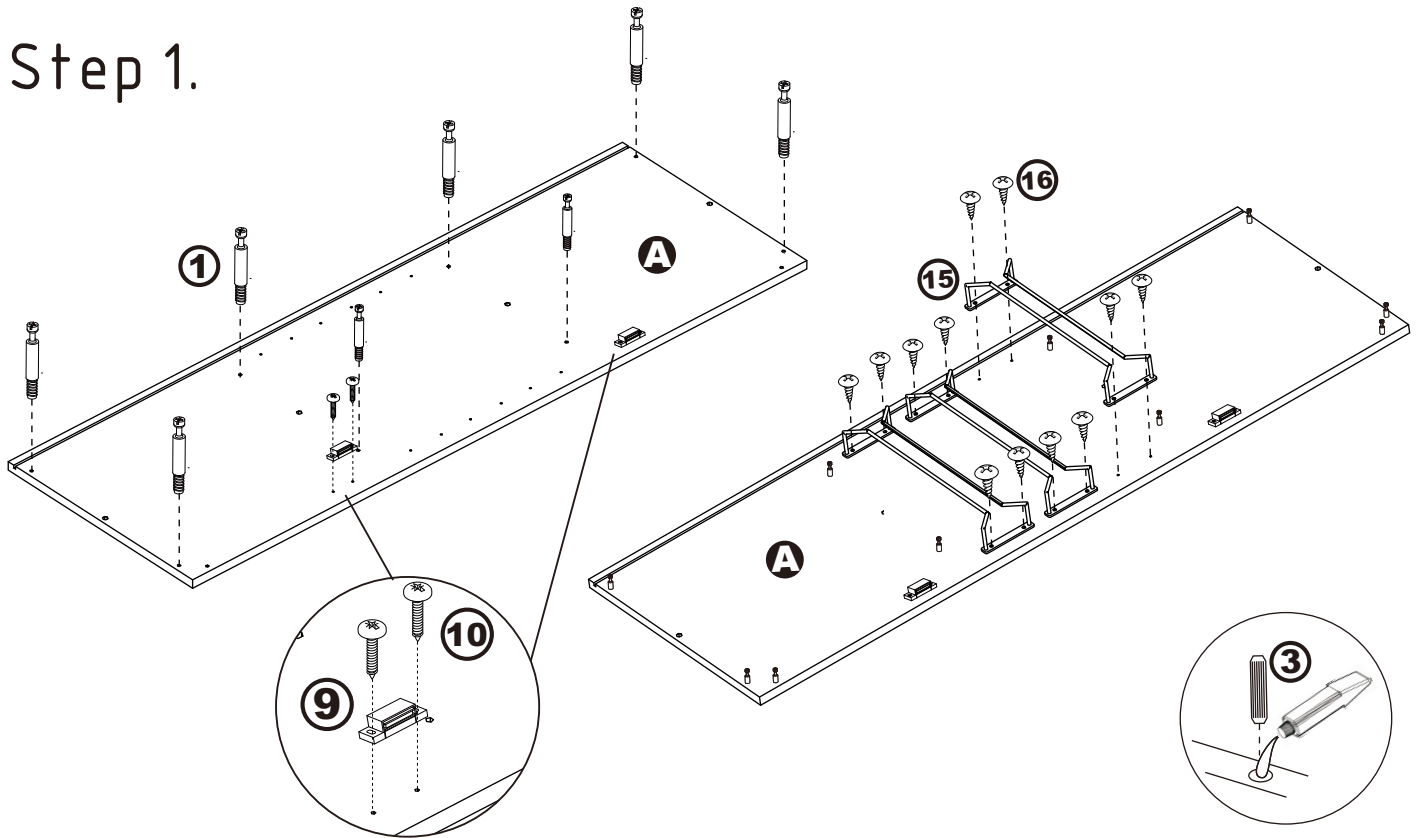
A X1 	E X1 	I X2 	M X2
B X1 	F X1 	J X3 	N X2
C X1 	G X1 	K X3 	O X1
D X1 	H X1 	L X2 	P X2

HARDWARE LIST

1 X16 	2 X16 	3 X14 	4 X28 	5 X2 	6 X8 	7 X2 	8 X4
9 X2 	10 X4 	11 X2 	12 X2 	13 X12 	14 X12 	15 X3 	16 X12

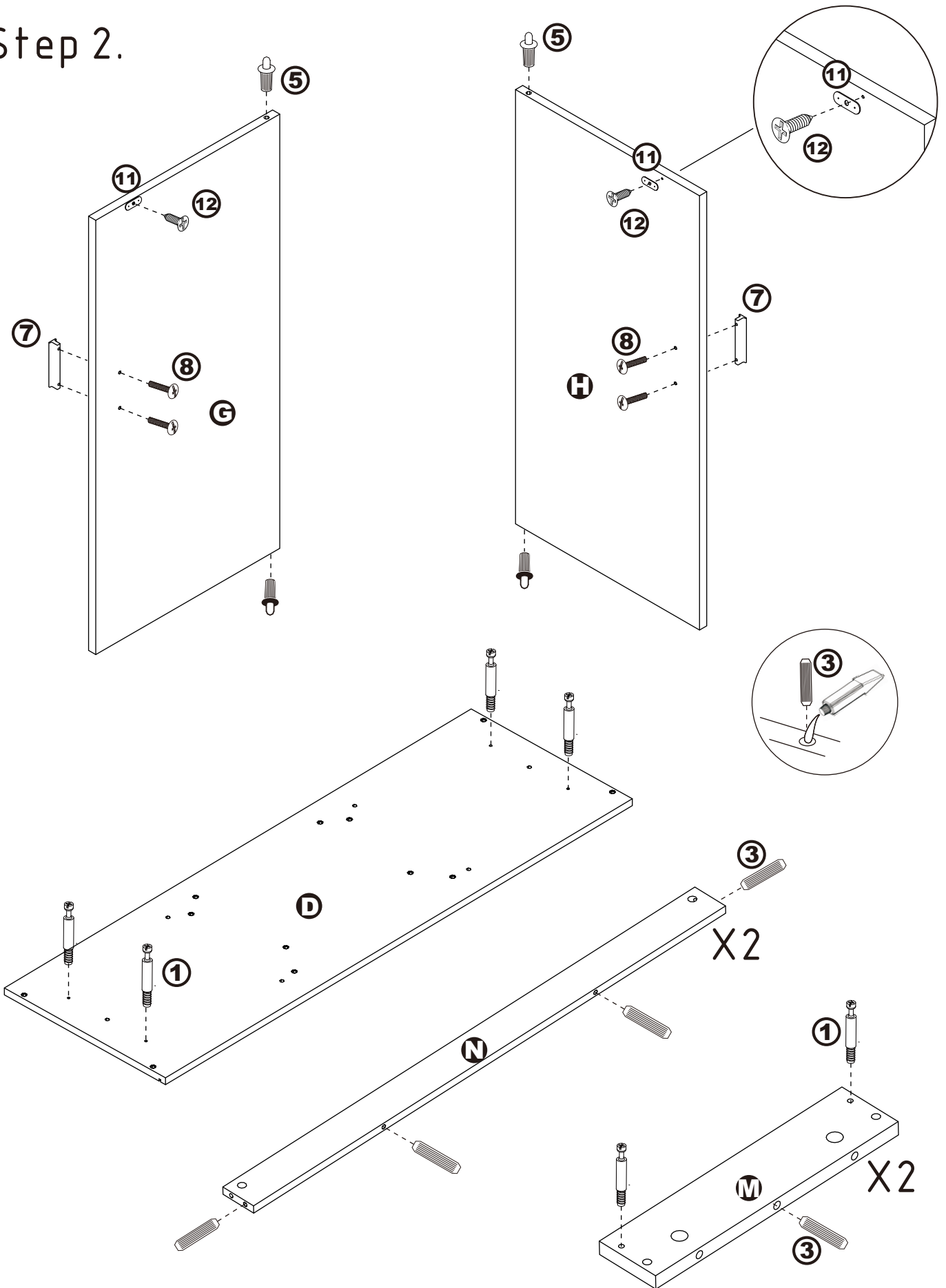
ASSEMBLY INSTRUCTIONS

Step 1.



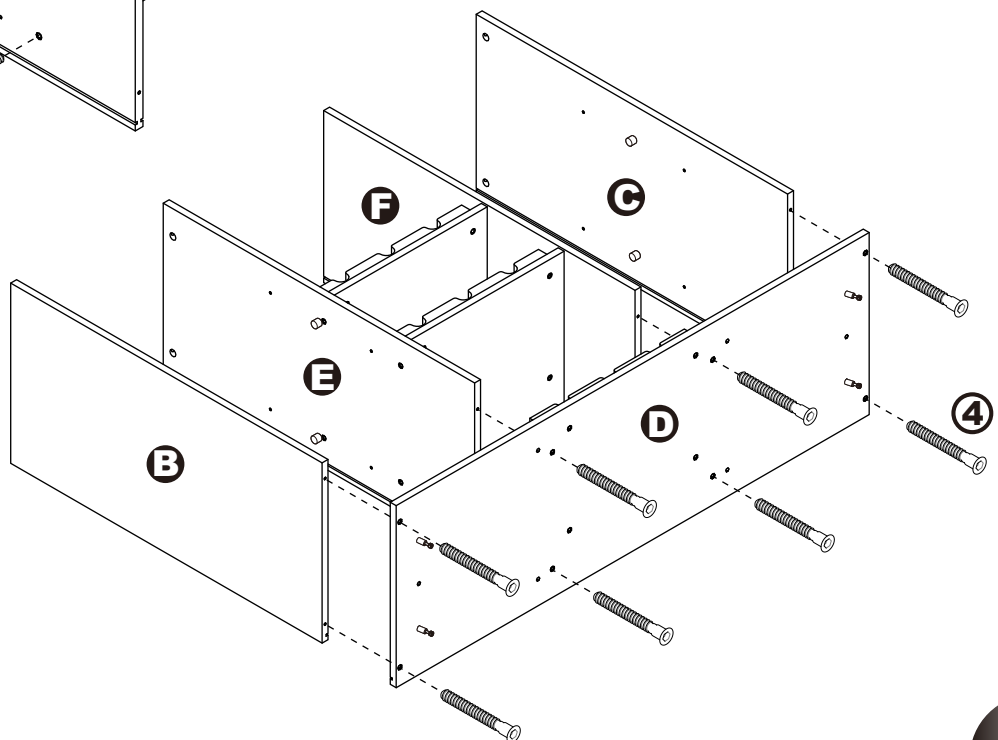
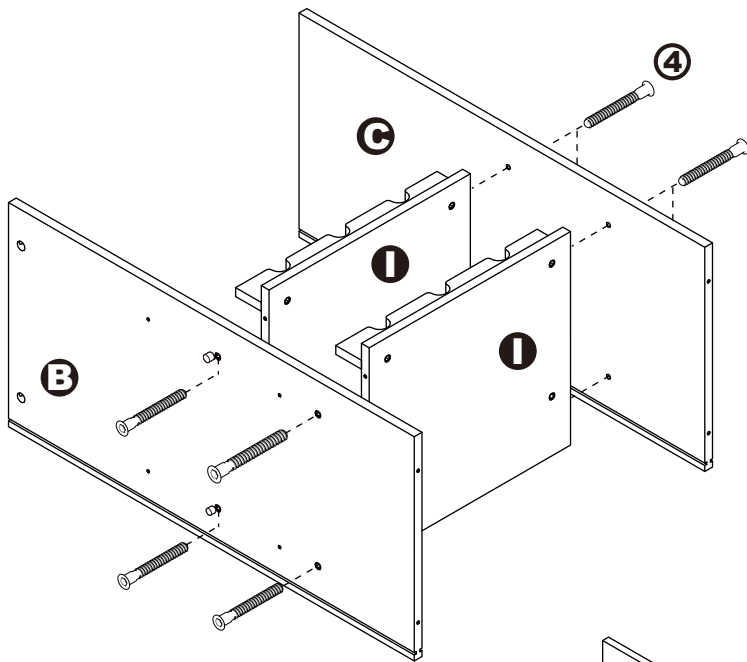
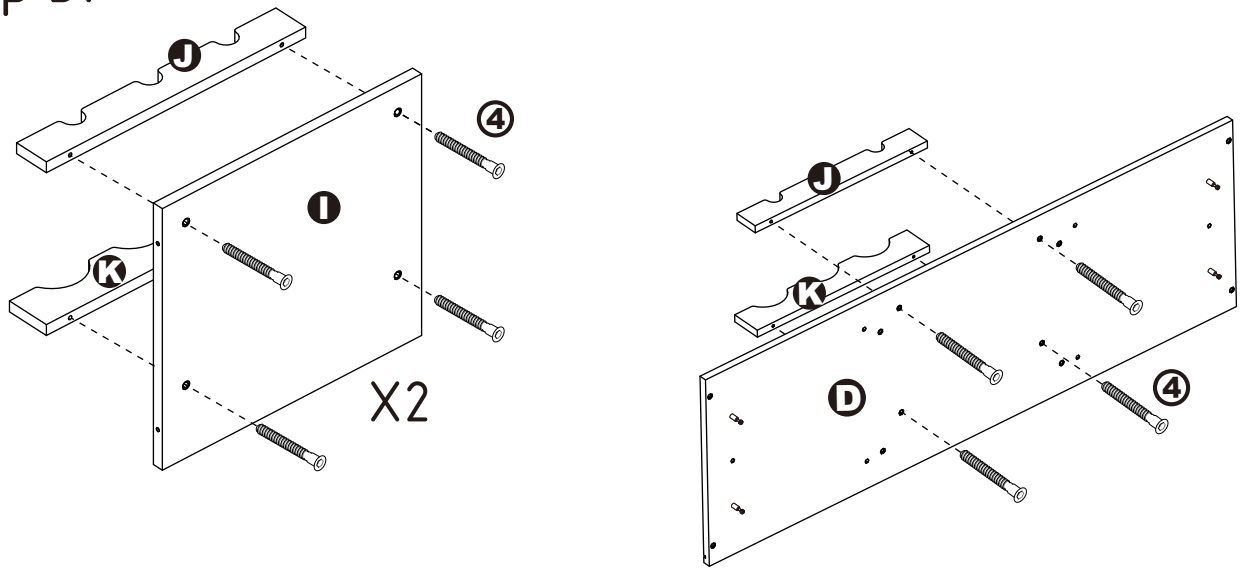
ASSEMBLY INSTRUCTIONS

Step 2.



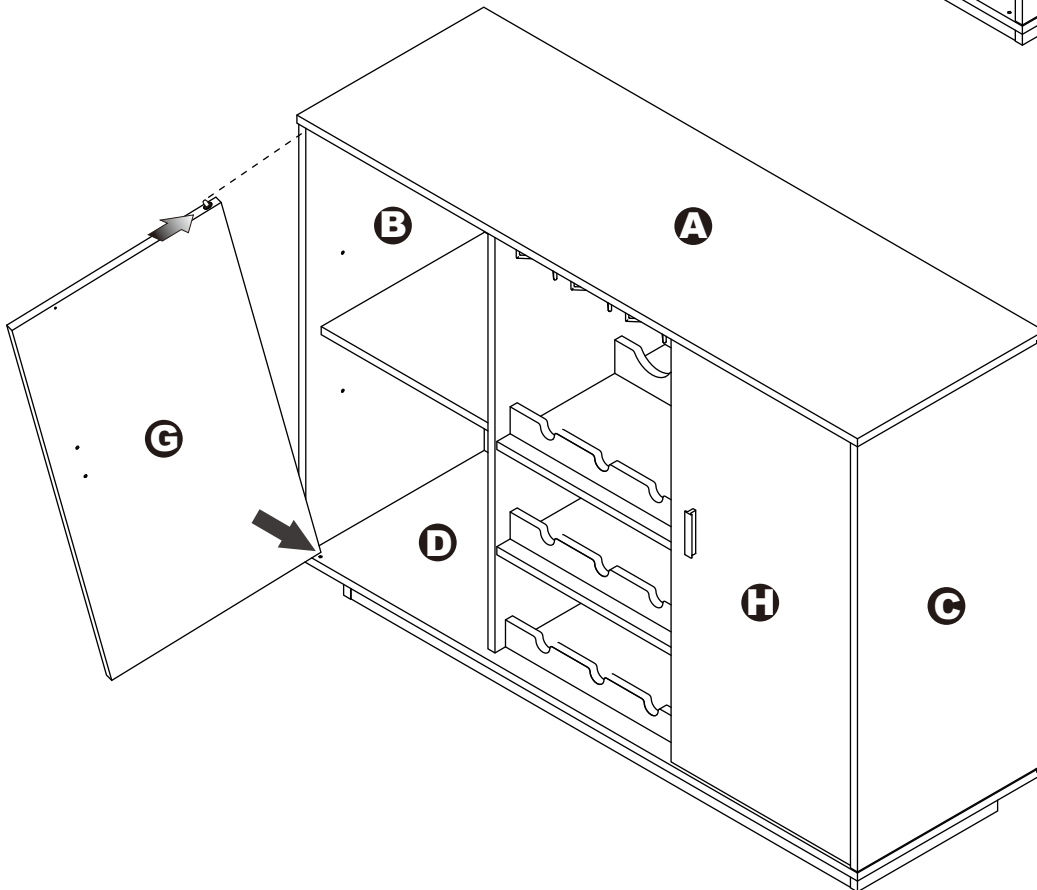
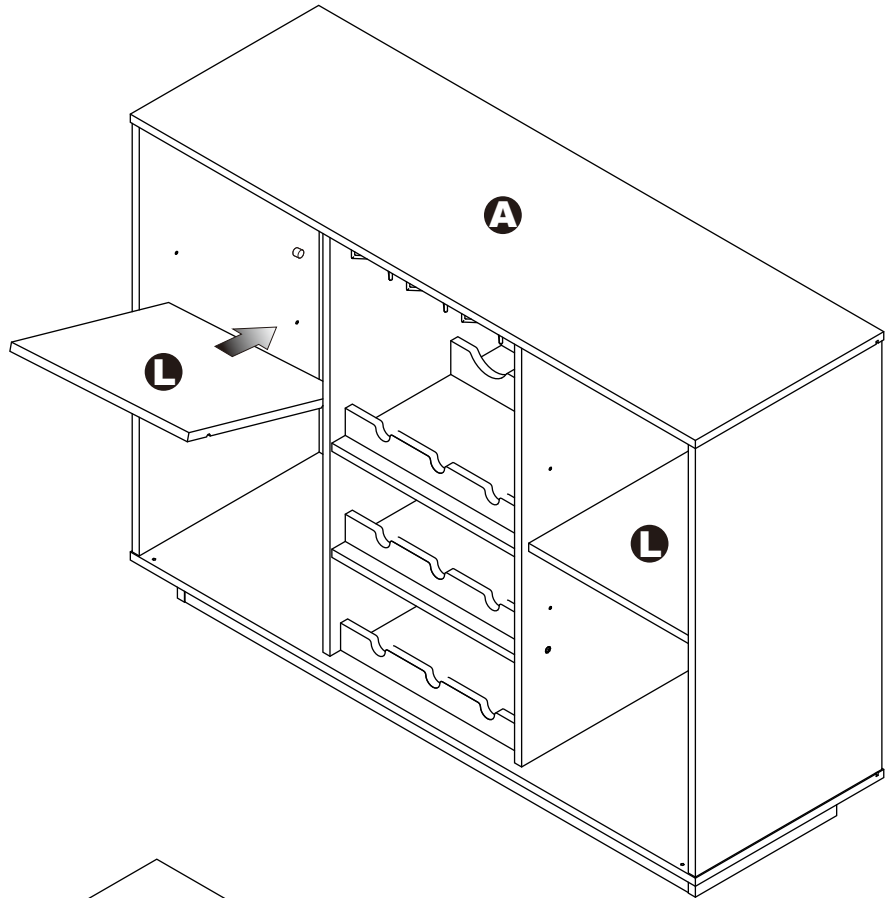
ASSEMBLY INSTRUCTIONS

Step 3.



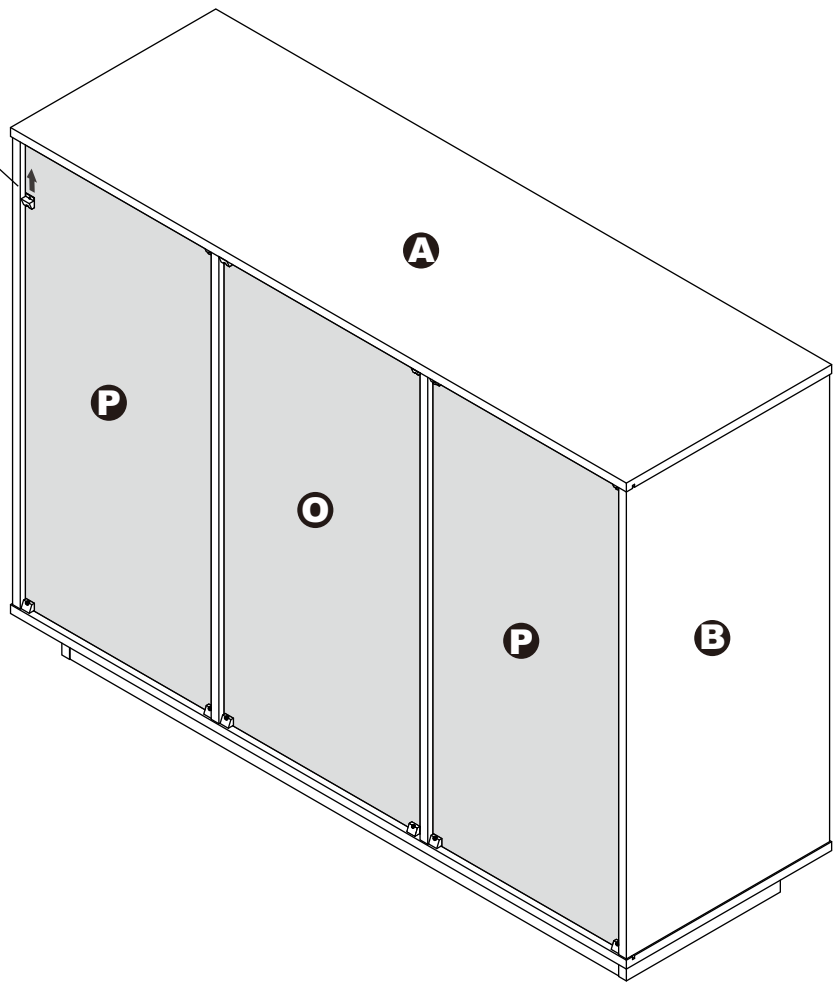
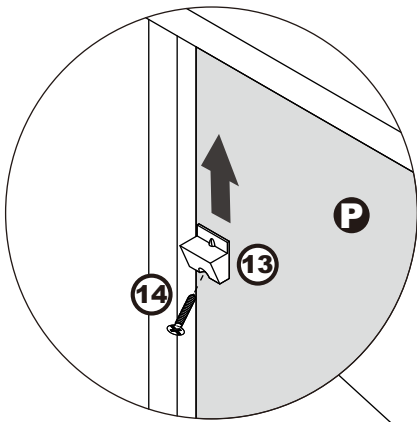
ASSEMBLY INSTRUCTIONS

Step 5.



ASSEMBLY INSTRUCTIONS

Step 5.



ASSEMBLY IS COMPLETED

Make sure the product is rested on a flat surface and does not feel loose or wobbly. If it does, double check that the bolts/screws are secured and properly tightened.