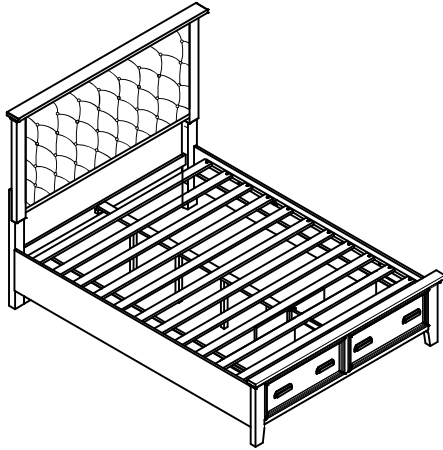
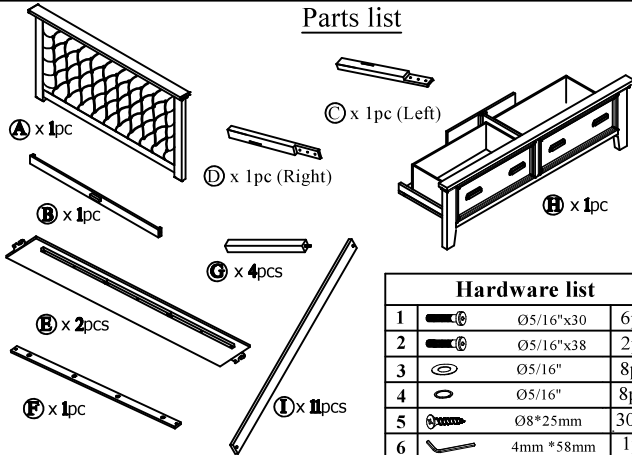


ASSEMBLY INSTRUCTION

QUEEN BED



Parts list



Hardware list			
1		Ø5/16"×30	6pcs
2		Ø5/16"×38	2pcs
3		Ø5/16"	8pcs
4		Ø5/16"	8pcs
5		Ø8*25mm	30pcs
6		4mm *58mm	1pc

