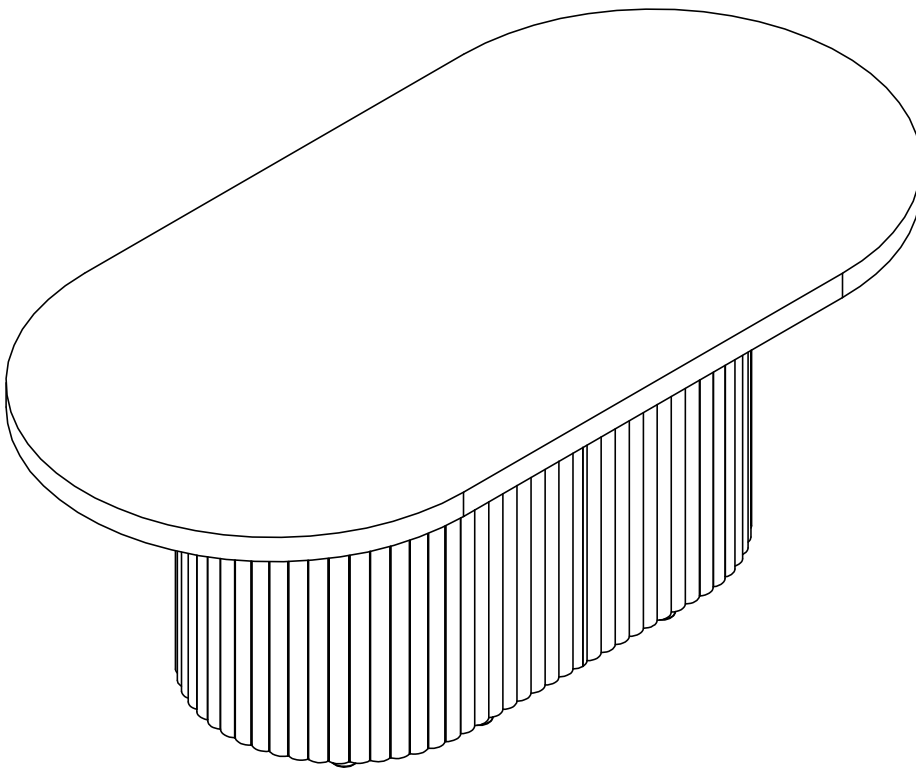


Installation Instruction



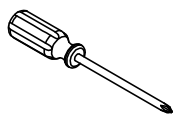
Notice Regarding Surface Finish

This product is manufactured using MDF (Medium-Density Fiberboard) with a marble-pattern decorative surface. Due to variations in the manufacturing and printing process, the marble grain pattern may differ slightly between individual panels. Therefore, the appearance of the product you receive may not be identical to the images shown. Such variations are normal and do not affect product quality or functionality.

Assembling

What you need

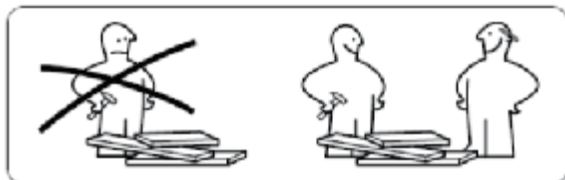
- Use the packaging carton as a working surface to prevent product damage during assembly
- Phillips head screwdriver



Weight Limitation



100 | **35**
lbs table top lbs per



What' included

Code Description	Qty
A Screw M6X25MM	6
B Adjustable Leveler	8
C Wrench M4X55MM	1
D Screw M6X12MM	16

The Hardwares

(A)



(B)



(C)



(D)



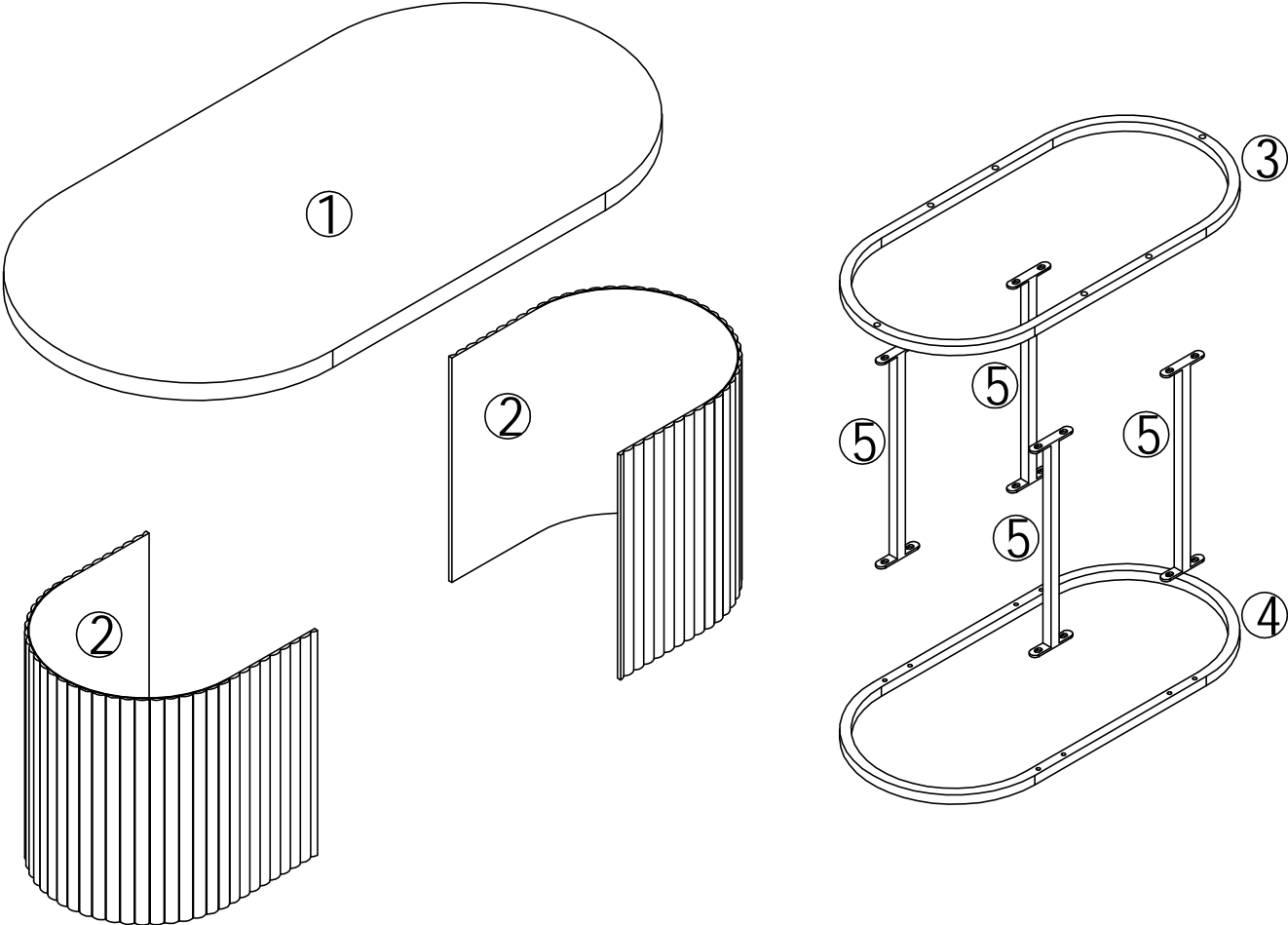
IMPORTANT:

1. Do not tighten bolts / screws completely until all bolts / screws are lined up and inserted into holes.
2. Do not over tighten screws and bolts to avoid stripping



Included Accessories

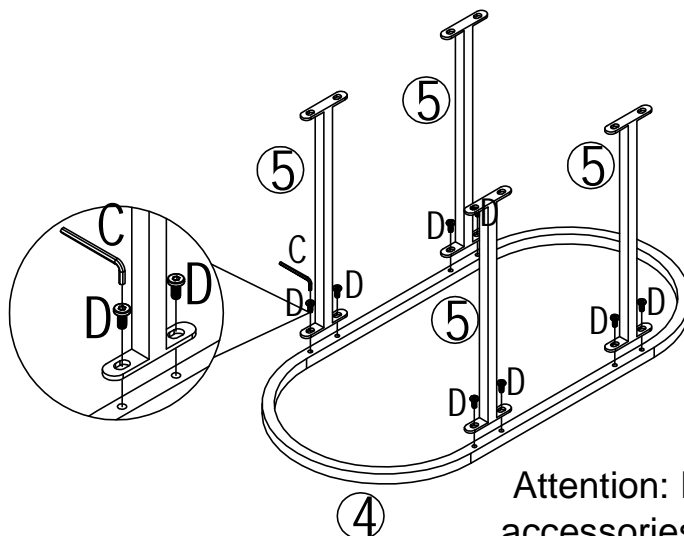
Code	Description	Qty
1	Panel	1
2	Edge panel	2
3	Upper metal frame	1
4	Lower frame	1
5	Supporting tube	4

The Accessoriess



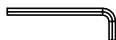

Step 1

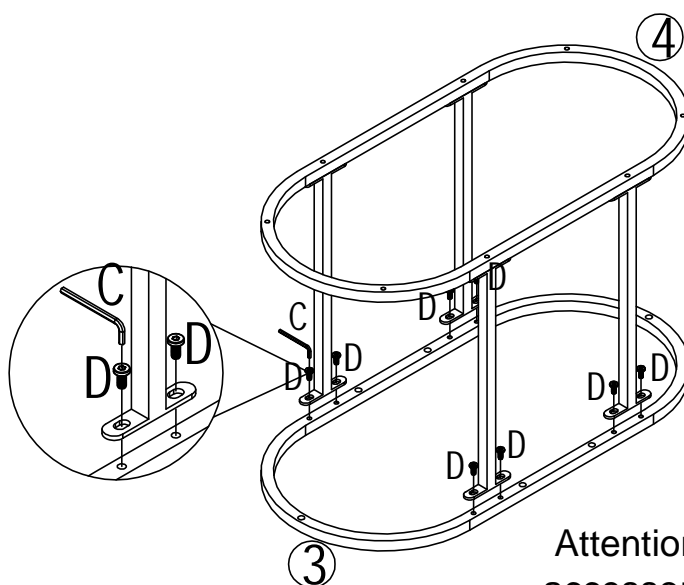
C	x 1	D	x 8
			



Attention: Please screw all the accessories D into the holes, and then tighten them with accessory C.
(Including the accessories D in Step 5)

Step 2

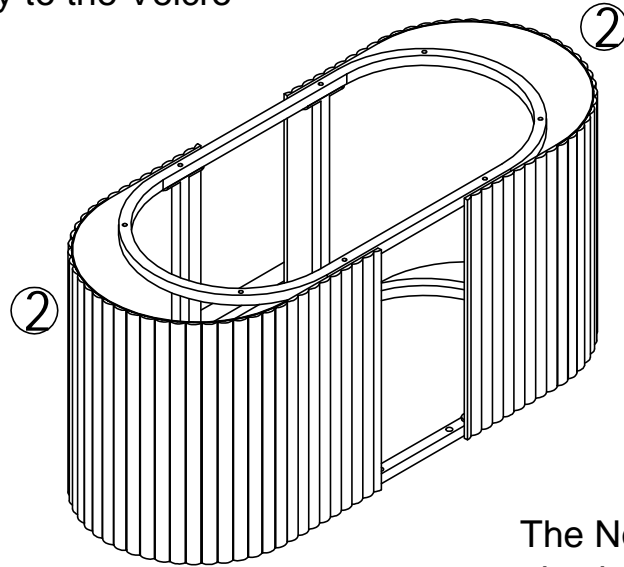
C	x 1	D	x 8
			



Attention: Please screw all the accessories D into the holes, and then tighten them with accessory C.

Step 3

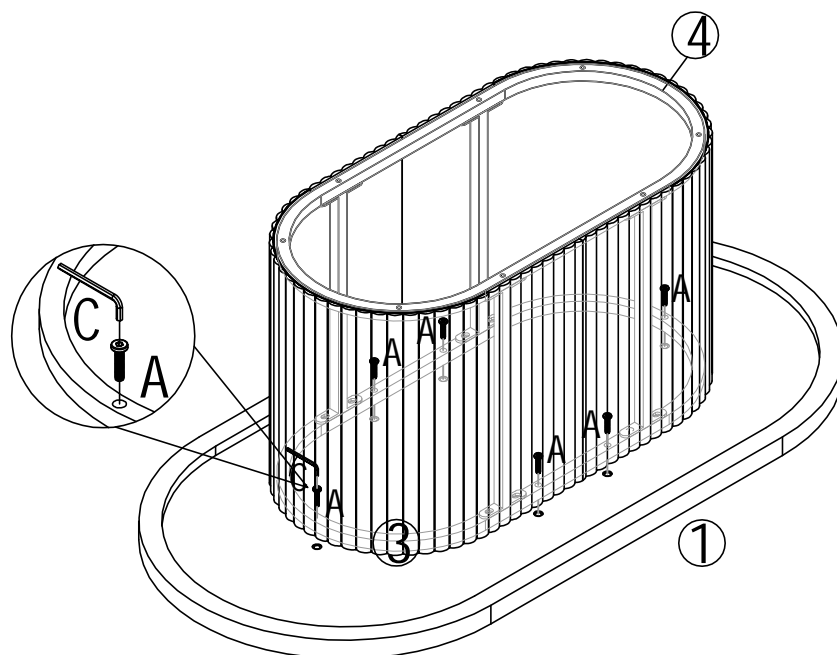
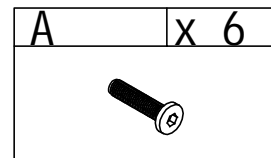
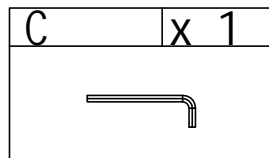
Attach Board 2 neatly to the Velcro of iron 3 and 4



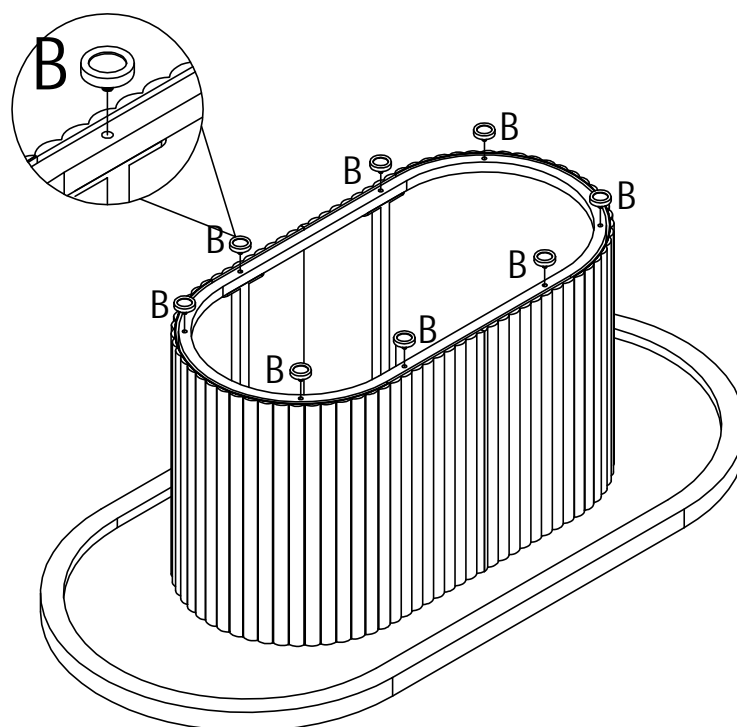
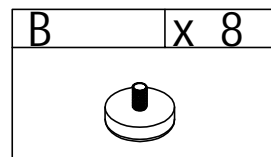
Attention: Please fully stretch Board 2 and then stick it tightly along the Velcro to avoid gaps that affect the appearance. If there are obvious gaps, tear them off and stick them again.

The No. 2 board can also be installed at any angle on the No. 3 and No. 4 metal frames.

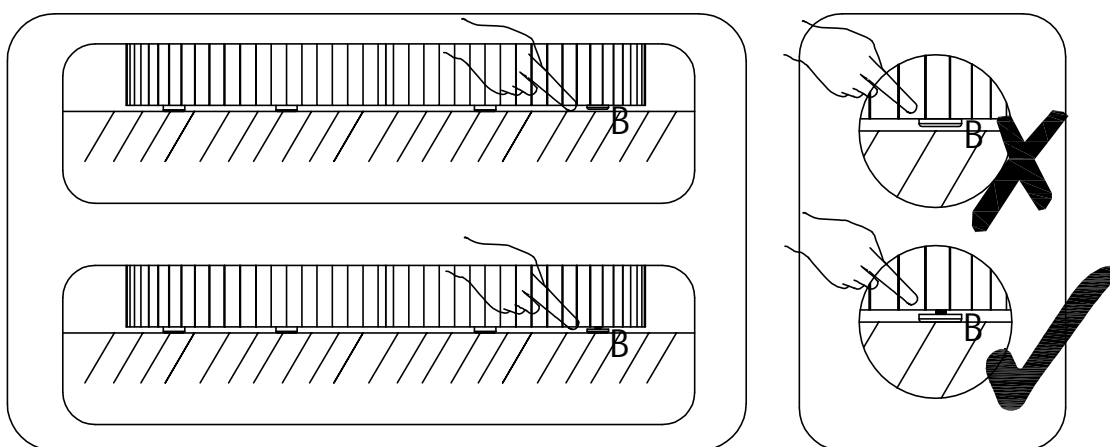
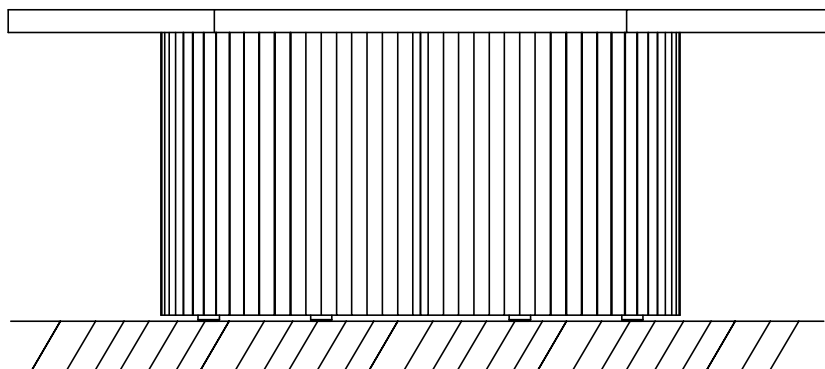
Step 4



Step 5



Step 6



If the product is unstable after installation, you can adjust accessory B to make it stable.