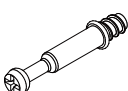


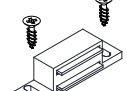
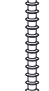

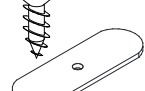

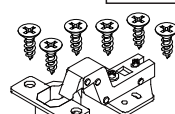
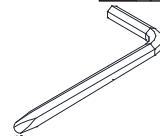
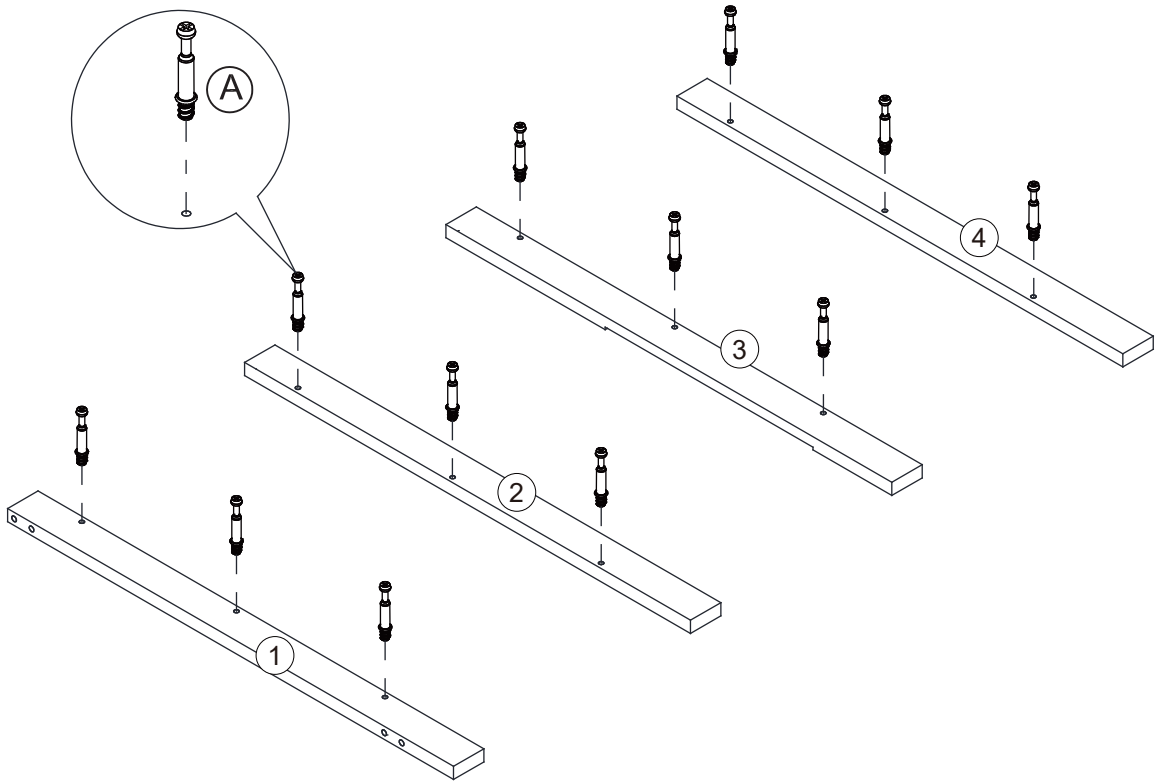
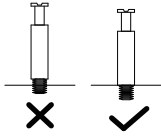
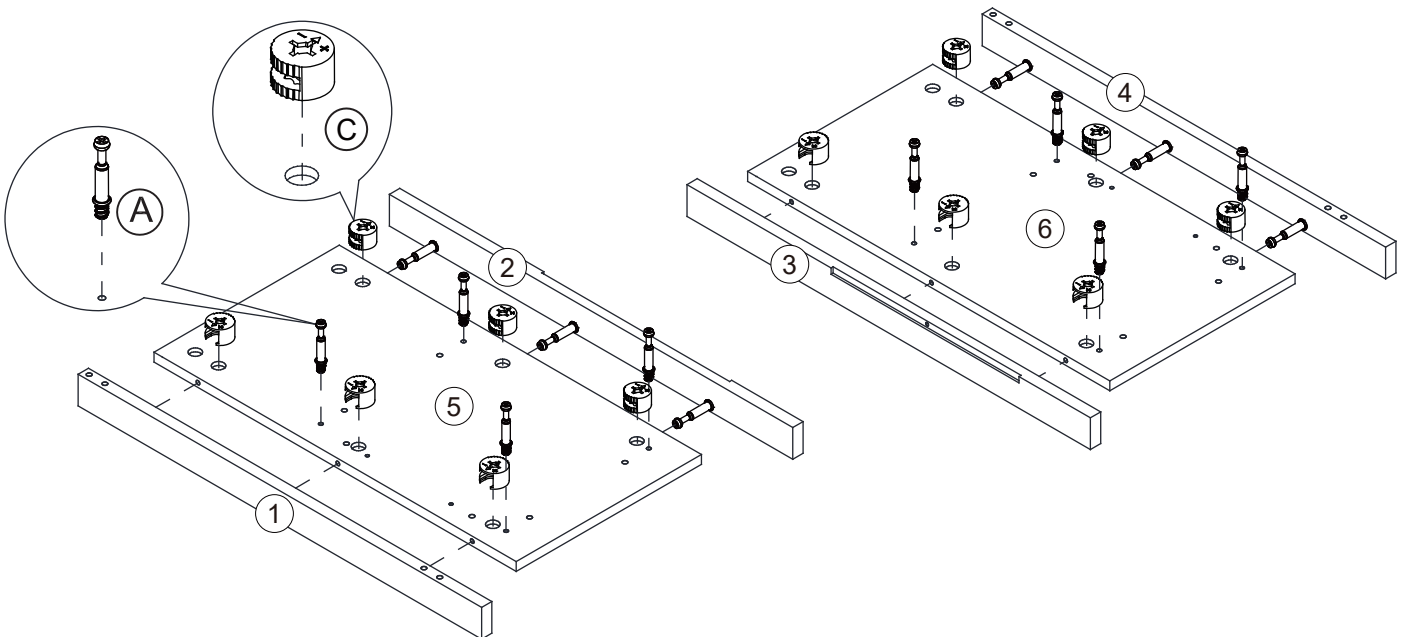
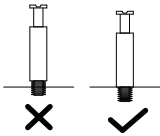


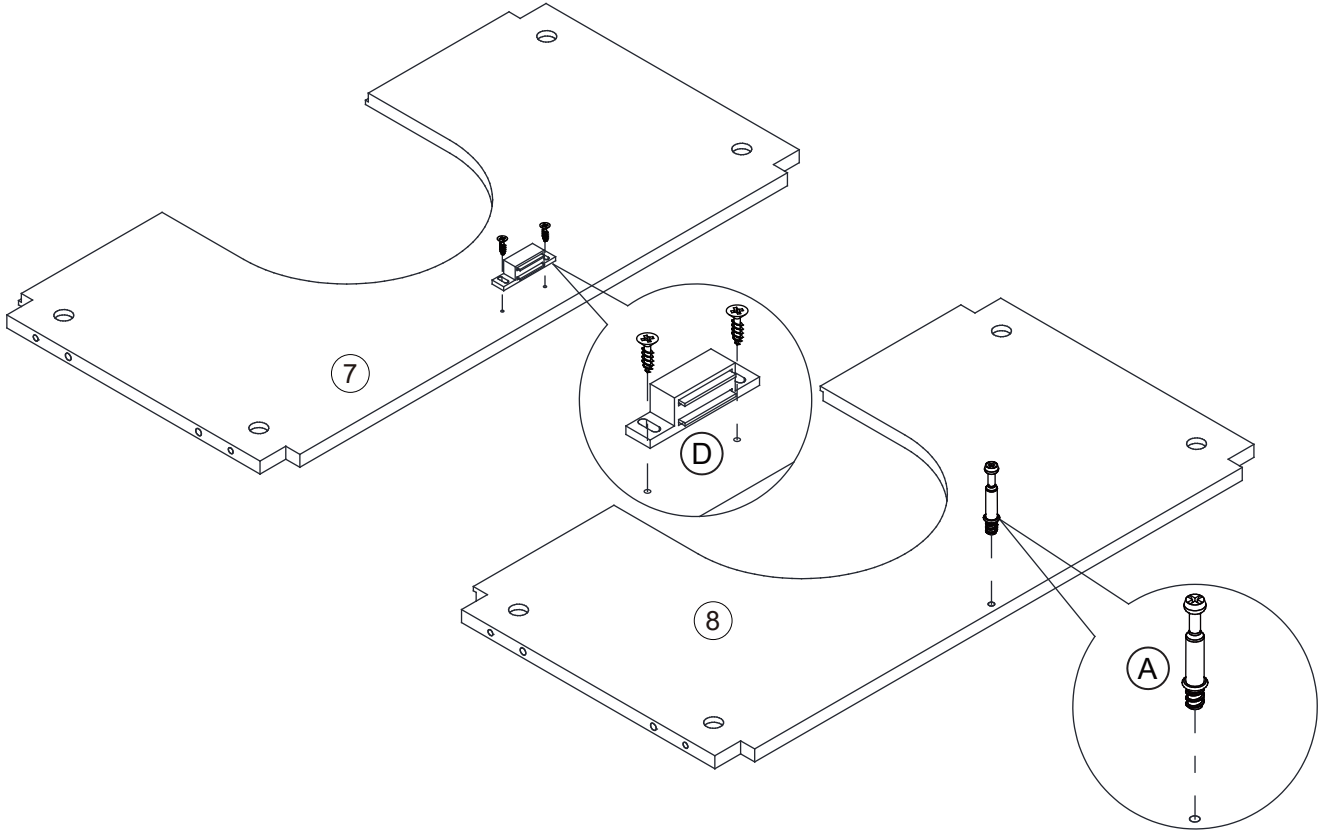
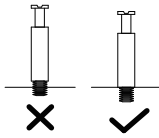
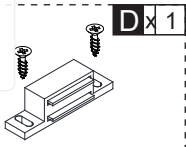
<p>A x26 +2(spare)</p> 	<p>B x26 M6*30 +2(spare)</p> 	<p>C x26 +2(spare)</p> 	<p>D x1 M3*16</p> 	<p>E x4 M4*35</p> 	<p>F x10 M2.6*10 +1(spare)</p> 	<p>G x2 M3*12</p> 
<p>H x2 M4*18</p> 	<p>I x4 M3.5*14</p> 	<p>J x1</p> 				



A x 8

C x 12





A x 5

C x 1

