

Patio Table ASSEMBLY INSTRUCTION

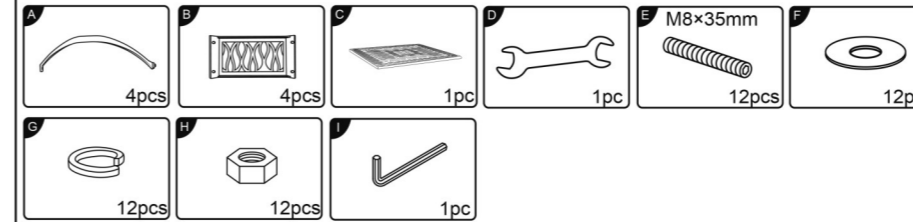
⚠ ADULT ASSEMBLY REQUIRED

Read all instructions before assembly and use.
Due to the presence of small parts during assembly, keep out of reach of children until assembly is complete.



1-3

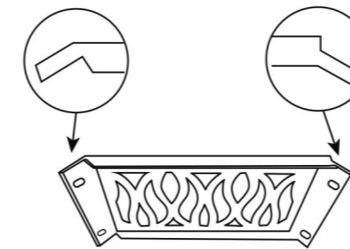
PARTS LIST



- Please read the instruction manual carefully before using it.
- Please assemble strictly in accordance with the instruction.
- Please double check to ensure that all parts of the package contents are intact.

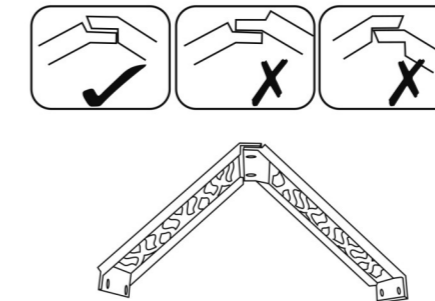
Note 1

It's different two side of this part.

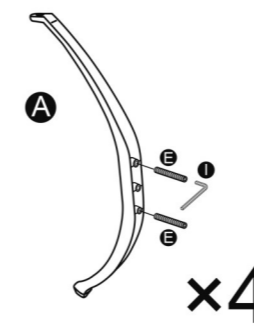


Note 2

Pay attention to installation direction.



step:1

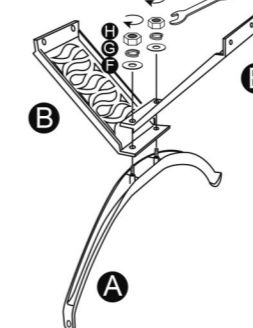


×4

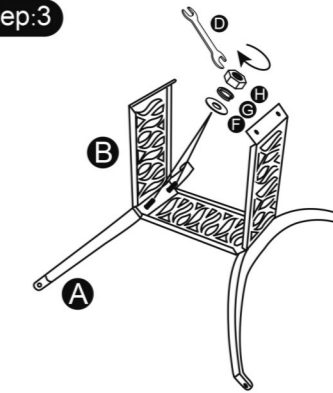
⚠ don't tight all screws until assembly is finish.

2-3

step:2

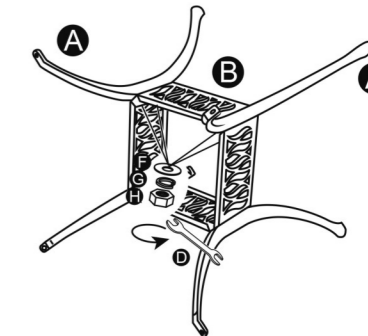


step:3

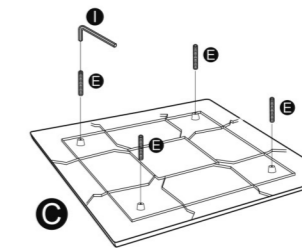


⚠ don't tight all screws until assembly is finish.

step:4

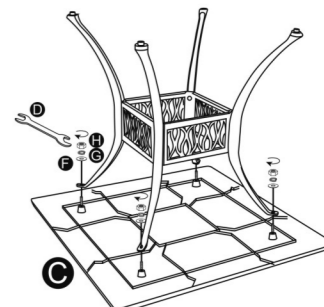


step:3



⚠ don't tight all screws until assembly is finish.

step:4



step:5



The legs with regulator make it in good balance.

3-3