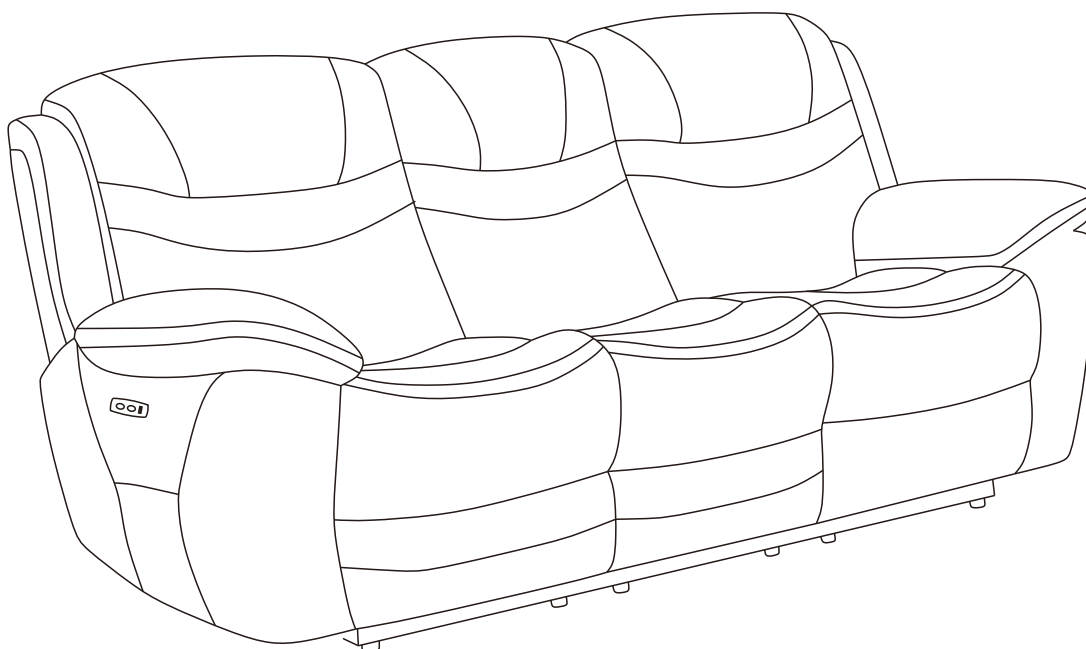


Zero Gravity Power Reclining Sofa KM.083B Assembly Manual



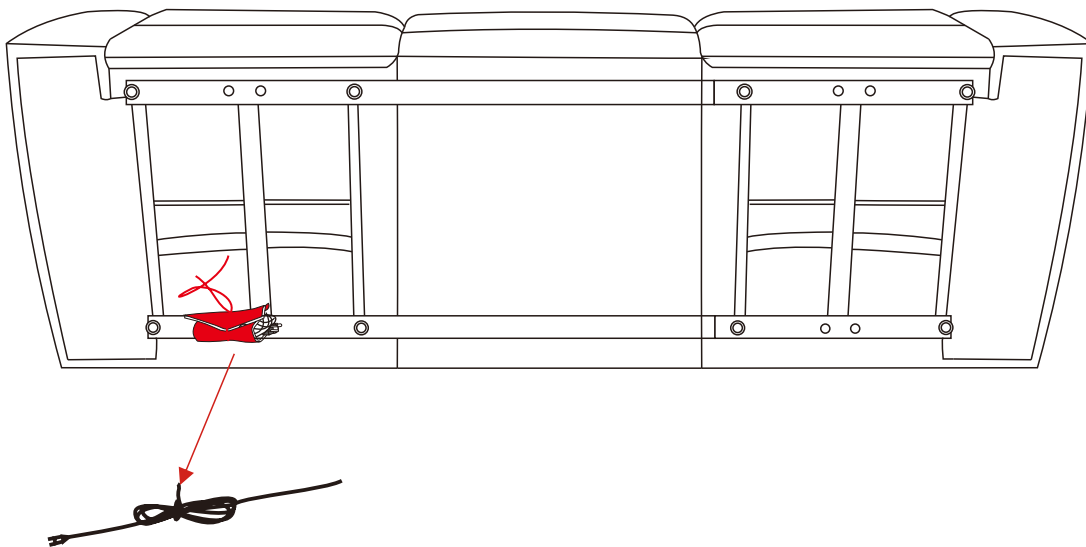
 **CAUTION**

THIS ASSEMBLY MANUAL CONTAINS IMPORTANT SAFETY INFORMATION.
PLEASE READ AND KEEP FOR FUTURE REFERENCE.

ASSEMBLY

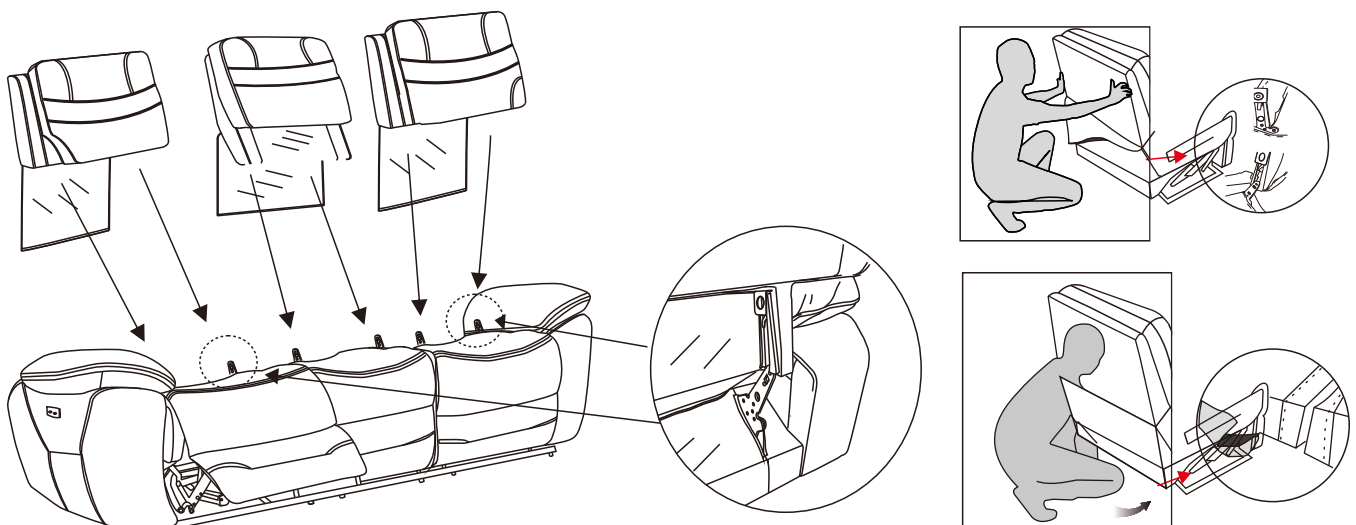
Step 1

Take out and unwarp the cable placed at the bottom of the sofa.



Step 2

Connect the wires between the backrest and the seat cushion, and attach the Velcro to the back seal.



Step 5

Connect one end of the power cord into the DC adaptor located at the back of the seat. Plug the other end of power cord into the power outlet.

