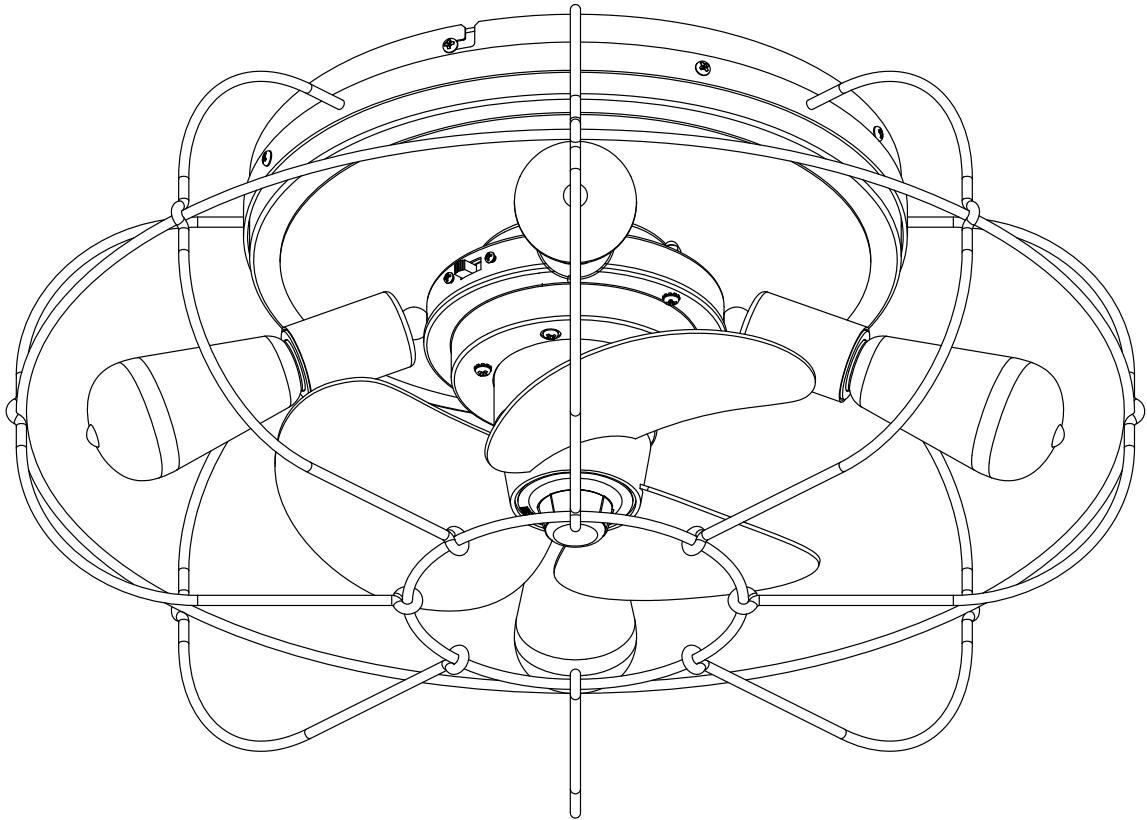


USE AND CARE GUIDE

CEILING FAN



Important Safety Instructions

WARNING: To avoid fire, shock and serious personal injury, follow these instructions.

1. Read your owner's manual and safety information before installing your new fan. Review the accompanying assembly diagrams.
2. Before servicing or cleaning unit, switch power off at service panel and lock service panel disconnecting means to prevent power from being switched on accidentally. When the service disconnecting means cannot be locked, securely fasten a warning device, such as a tag, to the service panel.
3. Be careful of the fan and blades when cleaning, painting, or working near the fan. Always turn off the power to the ceiling fan before servicing.
4. Do not insert anything into the fan blades while the fan is operating.
5. The appliance is not intended for use by young children or infirm persons without supervision. Young children should be supervised to ensure that they do not play with the appliance.

Additional Safety Instructions

1. To avoid possible shock, be sure electricity is turned off at the fuse box before wiring, and do not operate fan without blades.
2. All wiring and installation procedures must satisfy National Electrical Codes (ANSI/ NFPA 70) and Local Codes. The ceiling fan must be grounded as a precaution against possible electrical shock. Electrical installation should be made or approved by a licensed electrician.
3. The fan base must be securely mounted and capable of reliably supporting at least 50 lbs. (fan and accessories not to exceed 50 lbs. or 22.7 kgs.). See page 5 of owner's manual for support requirements. Consult a qualified electrician if in doubt.
4. The fan must be mounted with the fan blades at least 7 feet from the floor to prevent accidental contact with the ceiling fan.
5. Follow the recommended instructions for the proper method of wiring your ceiling fan. If you do not have adequate electrical knowledge or experience, have your fan installed by licensed electrician.
6. Suitable for use with solid-state speed controls.
7. This fan is to be used in indoor dry or damp location only.
8. For supply connections, if the conductor of a fan is identified as a grounded conductor, then it should be connected to a grounded conductor power supply. If the conductor of a fan is identified as an ungrounded conductor, then it should be connected to an ungrounded conductor power supply. If the conductor of a fan is identified for equipment grounding, then it should be connected to an equipment-grounding conductor.

CAUTION: Changes or modifications not expressly approved by the party responsible for compliance could void the user's authority to operate the equipment.

WARNING: TO REDUCE THE RISK OF ELECTRIC SHOCK, THIS FAN MUST BE INSTALLED WITH A GENERAL USE, ISOLATING WALL CONTROL/SWITCH.

WARNING: This product is designed to use only those parts supplied with this product and/or accessories designated specifically for use with this product. Using parts and/or accessories not designated for use with this product could result in personal injury or property damage.

WARNING: To reduce the risk of personal injury, do not bend the blade bracket (flange or blade holder) when installing the brackets, balancing the blades, or cleaning the fan. Do not insert foreign objects in between rotating fan blades.

WARNING: Mount to an outlet box marked acceptable for fan support of 22.7 kg (50 lbs) or Less.

WARNING: Do not operate this fan with a variable (Rheostat) wall controller or dimmer switch. Doing so could result in damage to the ceiling fan's remote control unit.

This device complies with Part 15 of the FCC Rules. Operation is subject to the following two conditions:

(1) This device may not cause harmful interference, and (2) this device must accept any interference received, including interference that may cause undesired operation. If the intentional radiator can be classified as a Class B digital device or a PC peripheral, then shall include the following or equivalent:

Note: This equipment has been tested and found to comply with the limits for Class B digital device, pursuant to part 15 of the FCC Rules. These limits are designed to provide reasonable protection against harmful interference in a residential installation.

This equipment generates, uses and can radiate radio frequency energy and, if not installed and used in accordance with the instructions, may cause harmful interference to radio or television reception, which can be determined by turning the equipment off and on, the user is encouraged to try to correct the interference by one or more of the following measures:

- Reorient or relocate the receiving antenna.
- Increase the separation between the equipment and the receiver.
- Connect the equipment into an outlet on a circuit different from that to which the receiver is connected.

Consult the dealer or an experienced radio/TV technician for help.

Note: For a Class A digital device, statements of 15. 105(a) must be included when appropriate for the device in question.

THREE YEAR WARRANTY

If the fan motor or any other part fails at any time within three years of the original purchase, due to a defect in materials or workmanship, we will repair or replace, at our option, the defective part, free of charge.

Because of varying climate conditions, this warranty does not cover changes on the finish, including rusting, pitting, corroding, tarnishing or peeling. This includes coastal locations where salt air can cause corrosion.

We do not manufacture light bulbs, however we provide them with our fans as a convenience. Light bulbs are not included in the warranty coverage.

This warranty is void and does not apply to damage from improper installation, neglect, accident, misuse, exposure to extremes of heat or humidity, or as the result of any modification to the original product.

All costs of removal and re-installation of the fan are the sole responsibility of the owner of the fan and not the retailer that sold the fan.

We reserve the right to modify or discontinue any product at any time and may substitute any part under this warranty.

Under no circumstances may a fan be returned without prior authorization from us. The receipt of purchase must accompany authorized returns and must be sent freight prepaid to us. The fan to be returned must be properly packed to avoid damage in transit; we will not be responsible for any damage resulting from improper packaging.

It is understood that any repair or replacement is the exclusive remedy available from us. There is no other expressed or implied warranty. We hereby disclaim any and all implied warranties, including, but not limited to those of merchantability and fitness for a particular purpose to the extent permitted by law. Some states do not allow limitations on implied warranties. We will not be liable for incidental, consequential, or special damages arising out of or in conjunction with product use or performance, except as may otherwise be accorded by law. This warranty gives you special legal rights and you may also have other rights that vary from state to state.

A certain amount of wobble is normal and should not be considered a problem or a defect. Contact the Customer Service Team.

Table of Contents

Unpacking Instructions	4	How to Install Your Light Bulbs	9
Energy Efficient Use of Ceiling Fans	5	How to Operate Your Ceiling Fan	10
Electrical and Structural Requirements	5	How to Install Your Remote Control	12
How to Hang Your Ceiling Fan	7	Maintenance	13
How to Wire Your Ceiling Fan.	8	Troubleshooting	14
How to Install Your Canopy Housing.	9	Parts List	15
		Exploded-View Illustration	16

This manual is designed to make it as easy as possible for you to assemble, install, operate and maintain your ceiling fan

Tools Needed for Assembly (Not Included)

- One Phillips head screwdriver
- One wire stripper
- One stepladder
- One 1/4" blade screwdriver

Materials

Wiring outlet box and box connectors must be of type required by the local code. The minimum wire would be a 3-conductor (2-wire with ground) of the following size:

Installed Wire Length	Wire Size A.W.G.
Up to 50 ft.	14
50-100 ft.	12

NOTE: Place the parts from the loose parts bags in a small container to keep them from being lost. If any parts are missing contact your local retailer.

⚠ WARNING

Before assembling your ceiling fan, refer to section on proper method of wiring your fan (page 10). If you feel you do not have enough wiring knowledge or experience, have your fan installed by a licensed electrician.

Unpacking Instructions

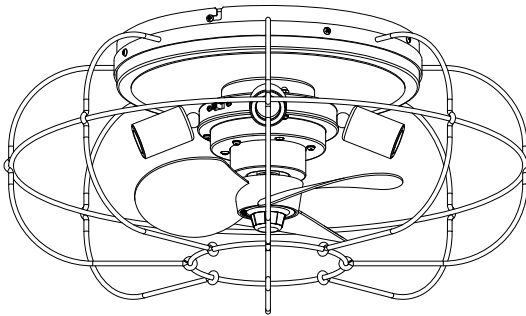
For your convenience, check-off boxes are provided next to each step. As each step is completed, place a check mark in the box. This will insure that all steps have been completed and will be helpful in finding your place should you be interrupted.

⚠ WARNING


Do not install or use fan if any part is damaged or missing. This product is designed to use only those parts supplied with this product and/or any accessories designated specifically for use with this product by **arranmorelighting**. Substitution of parts or accessories not designated for use with this product by **arranmorelighting** could result in personal injury or property damage.

1. Check to see that you have received the following parts:


For additional reference, an Exploded View of parts is provided in the back section of this manual including part numbers.



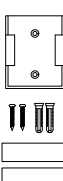
Motor Assembly (1)



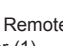
LED Bulbs (4)



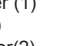
Hand-held Remote (1)



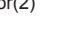
Wall Holder (1)




Screws (2)




Wall Anchor(2)









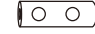



Battery (2)



Receiver (1)



Receiver wire connector (1)

Safety cable installation parts			Hanger bracket installation parts		
 Wood Screw(1)	 Flat Washer(1)	 Anchors (1)	 Wire Connectors (3)	 Anchors (4)	
 Screw(1)	 Fastener(1)	 Lock Washer(1)	 Machine Screw(2)	 Wood Screw(4)	

Energy Efficient Use of Ceiling Fans

Ceiling fan performance and energy savings rely heavily on the proper installation and use of the ceiling fan. Here are a few tips to ensure efficient product performance.

Choosing the Appropriate Mounting Location

Ceiling fans should be installed, or mounted, in the middle of the room and at least 7 feet from floor to the blade and 18 inches from wall to the blade.

Turn Off When Not in the Room

Ceiling fans cool people, not rooms. If the room is unoccupied, turn off the ceiling fan to save energy.

Using the Ceiling Fan Year Round

Summer Season: Use the ceiling fan in the clockwise direction. The airflow produced by the ceiling fan creates a wind-chill effect, making you “feel” cooler. Select a fan speed that provides a comfortable breeze, lower speeds consume less energy.

Winter Season: Reverse the motor and operate the ceiling fan at low speed in the counterclockwise direction. This produces a gentle updraft, which forces warm air near the ceiling down into the occupied space. Remember to adjust your thermostat when using your ceiling fan—additional energy and dollar savings could be realized with this simple step!

Electrical and Structural Requirements

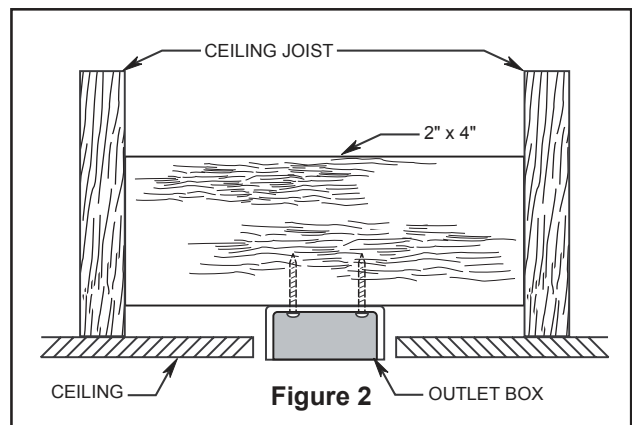
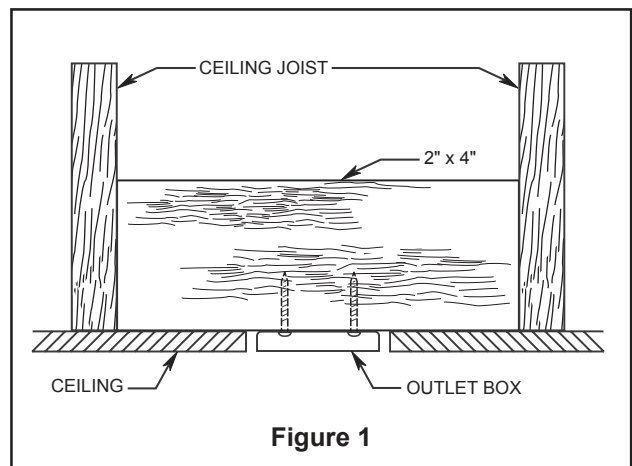
Your new ceiling fan will require a grounded electrical supply line of 120 volts AC, 60 HZ, 15 Amp Circuit. Electrical code requires use of a fan-rated outlet box to support the extra weight and motion associated with a ceiling fan. A fan-rated box will be labeled as such and typically supports up to a 70lbs ceiling fan. Fan-Rated Outlet Boxes vary in ratings and design. Ensure the ratings of your ceiling fan outlet box meet the requirements for the ceiling fan being installed. Figure 1, Figure 2 and Figure 3 depicts different structural configurations that may be used for mounting the outlet box.

Low-profile use (Figure 1)

A 1/2-in.-deep pancake box is meant to be screwed to a joist or block. It's used if only one cable is coming into the box. It is also available in a saddle-mount configuration.

Deep-profile use (Figure 2)

A 2-1/4-in.-deep box can be attached to blocking between joists and is roomy enough to handle more than one cable.



Electrical and Structural Requirements (Continued)

Brace use (Figure 3)

Paired with a deep box, this hanger is meant to span between two joists and takes the place of wooden blocking.

⚠ WARNING

To reduce the risk of fire, electrical shock, or personal injury, mount fan to outlet box marked acceptable for fan support of 22.7 kg (50 lbs) or less. Use screws supplied with outlet box. Most outlet boxes commonly used for support of light fixtures are not acceptable for fan support and may need to be replaced. Consult a qualified electrician if in doubt.

If your fan is to replace an existing light fixture, turn electricity off at the main fuse box at this time and remove the existing light fixture.

⚠ WARNING

Turning off wall switch is not sufficient. To avoid possible electrical shock, be sure electricity is turned off at the main fuse box before wiring. All wiring must be in accordance with National and Local codes and the ceiling fan must be properly grounded as a precaution against possible electrical shock.

⚠ WARNING

To avoid fire or shock, follow all wiring instructions carefully. Any electrical work not described in these instructions should be done or approved by a licensed electrician.

⚠ WARNING

Do not operate this fan with a variable (Rheostat) wall controller or dimmer switch. Doing so could result in damage to the ceiling fan's remote control unit.

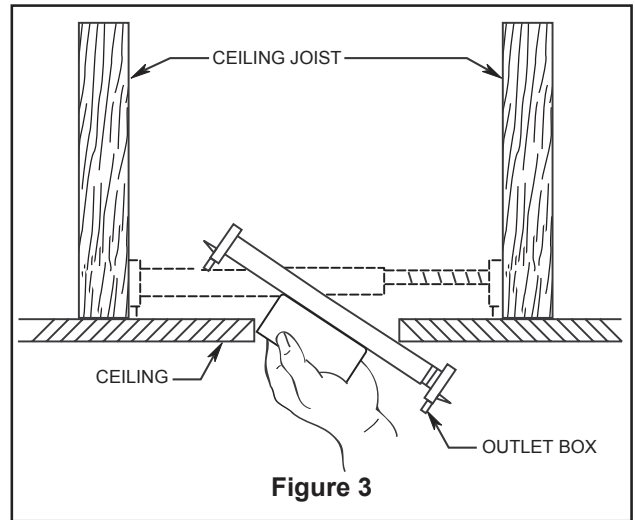


Figure 3

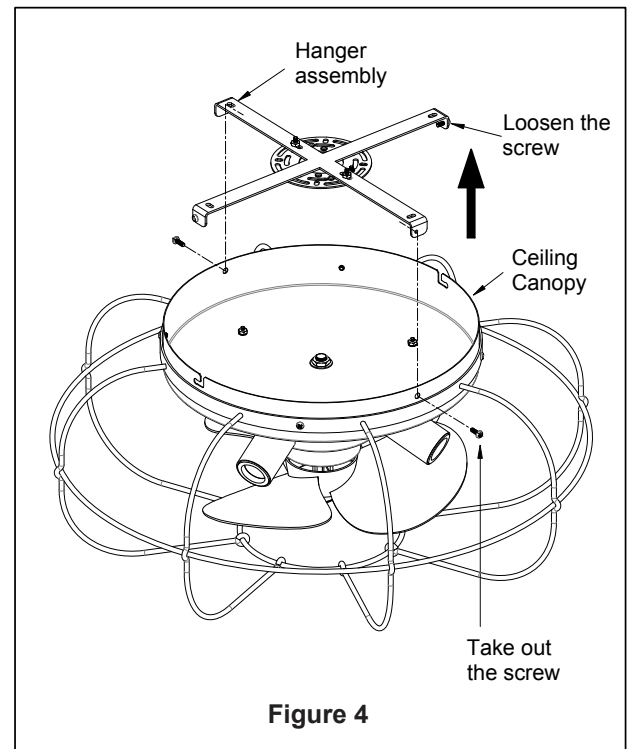


Figure 4

Hanger release (Figure 4)

Release the hanger assembly from the ceiling canopy by :

- taking out the two (2) screws from the round holes on each side of the canopy;
- by loosening the two (2) remaining screws from the "L-shaped" holes on each side of the canopy.

How to Hang Your Ceiling Fan

⚠ WARNING

To avoid possible fire or shock, be sure electricity is turned off at the main fuse box before hanging. (Figure 1)

NOTE: If you are not sure if the outlet box is grounded, contact a licensed electrician for advice, as it must be grounded for safe operation.

⚠ WARNING

The fan must be hung with at least 7' of clearance from floor to blades. (Figure 2)

- 1. Securely attach the hanger bracket to the outlet box using the outlet box screws and washers supplied with the outlet box. (Figure 3)
- 2. Secure each arm of the hanger by fixing them to the ceiling with the help of the wood screws. If the screws cannot be screwed directly in the wood structure of your ceiling, use anchors by drilling a 1/4" pilot hole into the ceiling, inserts the anchors in the hole and screws the screw into the anchors.

NOTE: Safety cable cannot be secured to outlet box only, it must be directly secured to ceiling joist or the provided anchors, using the 3/8" x 2" wood screws and flat washer. (Figure 3)

⚠ WARNING

The outlet box must be securely anchored. Hanger bracket must seat firmly against outlet box. If the outlet box is recessed, remove wall board until bracket contacts box. If bracket and /or outlet box are not securely attached, the fan could wobble or fall.

- 3. Attach the safety cable to ceiling. Use a wood screw to securely fasten the safety cable directly to the wood structure of the ceiling or by using the anchors provided. Refer to Figure 4 for set-up and installation of the safety cable (Figure 4)

⚠ WARNING

The wire should not be clamped between the hanger and the ceiling.

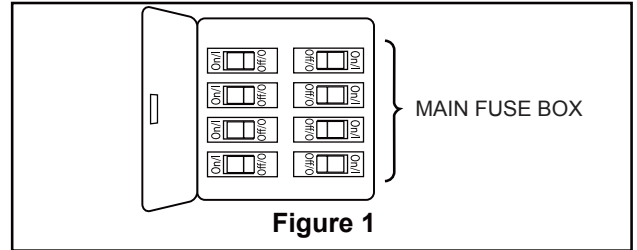


Figure 1

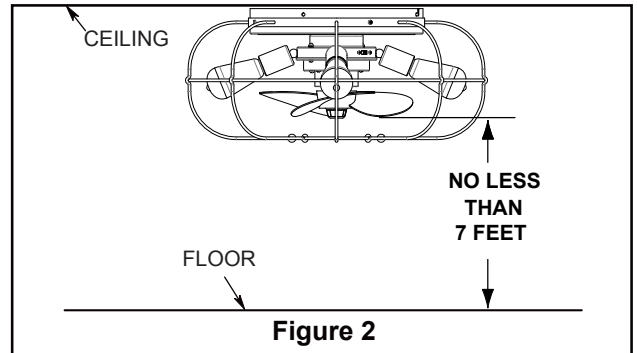


Figure 2

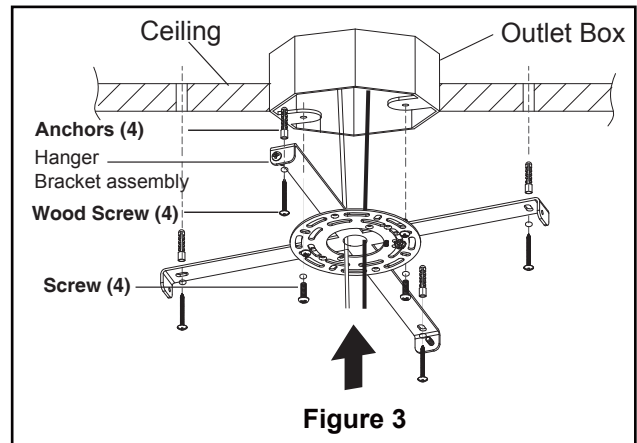


Figure 3

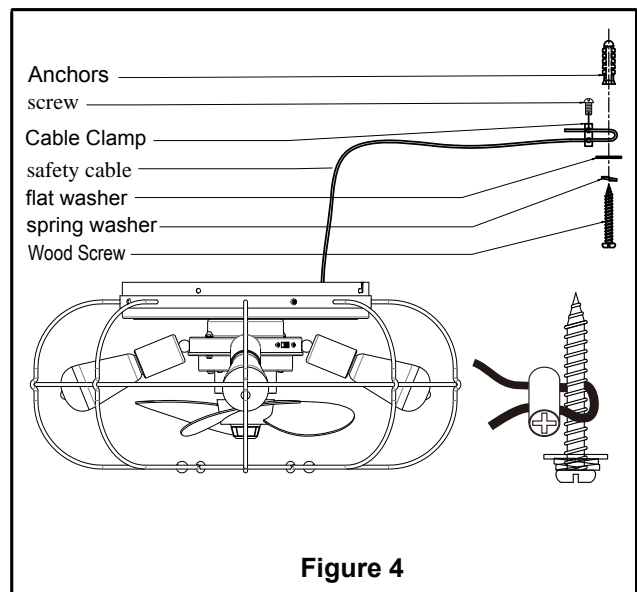


Figure 4

How to Wire Your Ceiling Fan

NOTE: If you feel that you do not have enough electrical wiring knowledge or experience, have your fan installed by a licensed electrician.

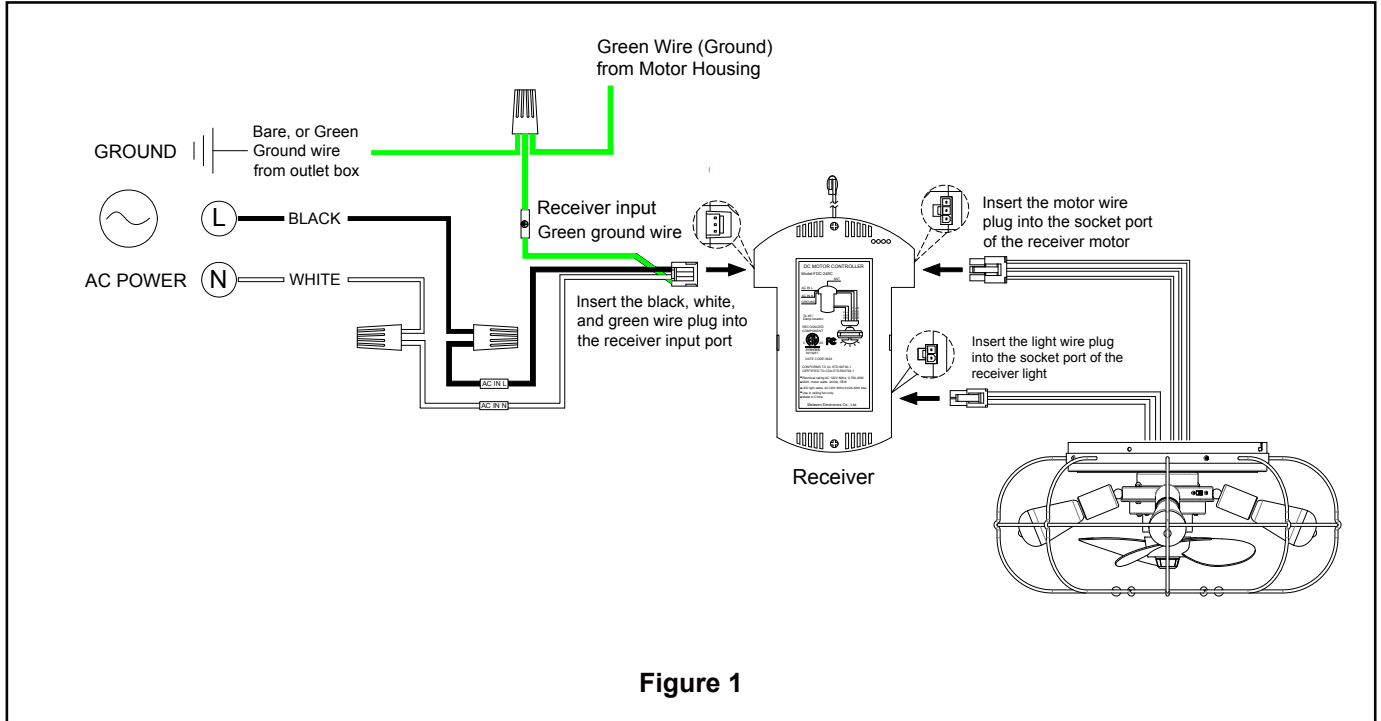


Figure 1

1. Connect green wires from Receiver input Green ground wire and motor housing to bare (ground) wire using wire connector. Connect black wire from Receiver input unit marked "AC IN L" to black supply wire using wire connector. Connect white wire from Receiver input unit marked "AC IN N" to white supply wire using wire connector. Connect the motor plug wire to the receiver output corresponding motor female socket. Connect the light plug wire to the receiver output corresponding light female socket. (Figure 1)

WARNING

Check to see that all connections are tight, including ground, and that no bare wire is visible at the wire connectors except for the ground wire. Do not operate fan until the blades are in place. Noise and motor damage could result.

2. After connections have been made, the wires should be spread apart with the grounded conductor and the equipment-grounding conductor on one side of the outlet box and the ungrounded conductor on the other side of outlet box, then turn leads upward and carefully push leads into the outlet box, with the white and green leads to one side of the box and the black leads to the other side. (Figure 2)

HARDWARE USED:

WIRE CONNECTORS  x 3

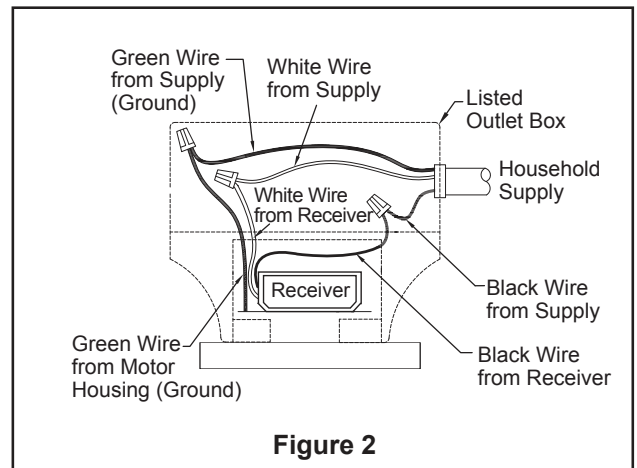


Figure 2

How to Install Your Canopy Housing

NOTE: This step is applicable after the necessary wiring is completed.

1. Assemble the canopy by rotating it to aligned the "L-shaped" holes from the canopy over the two (2) screws on the hanger bracket, taking care not to pinch the wires. Tighten the two (2) screws. Fully assemble and tighten the remaining two (2) screws previously removed, into the round holes on each side of the canopy (Figure 1)

⚠ WARNING

To avoid possible fire or shock, make sure that the electrical wires are completely inside the canopy housing and not pinched between the housing and the ceiling.

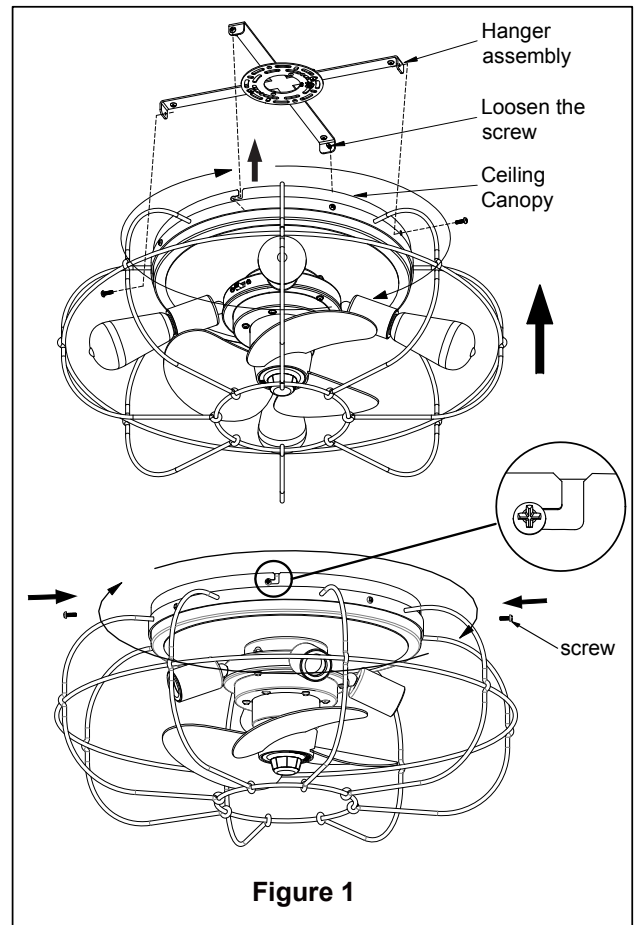


Figure 1

How to Install Your Light Bulbs

1. Install light bulbs into sockets by threading in a clockwise direction. (Figure 1)

NOTE: When relamping is required, USE ONLY MAX 8W, TYPE ST19 or ST58 or ST64 DIMMABLE LISTED LED (LIGHT) BULB.

CAUTION

RISK OF FIRE. USE ONLY LED LAMPS IN THIS LIGHT KIT. INCANDESCENT AND HALOGEN LAMPS MAY CAUSE SEVERE THERMAL DAMAGE.

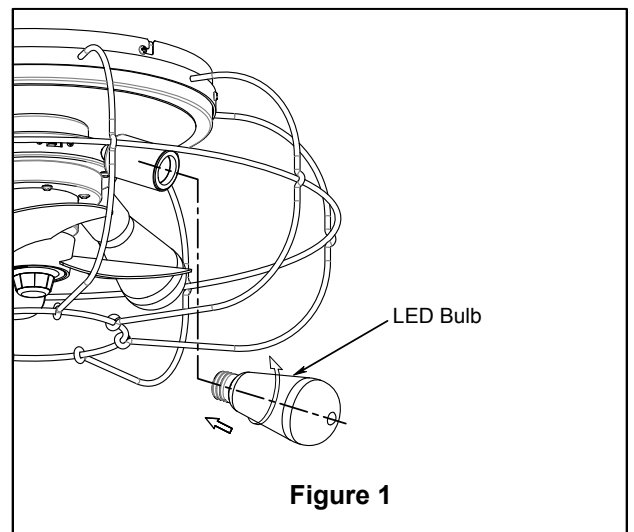
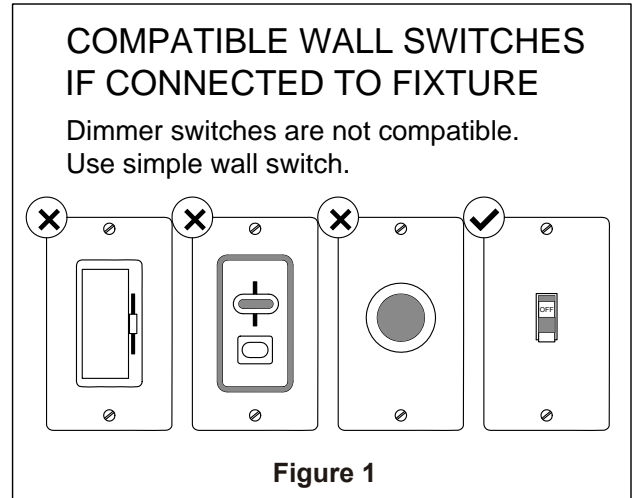


Figure 1

How to Operate Your Ceiling Fan

- **1. IMPORTANT:** Using a full range dimmer switch (not included) to control fan speed will damage the fan. To reduce the risk of fire or electrical shock, do not use a full range dimmer switch to control the fan speed. (Figure 1)



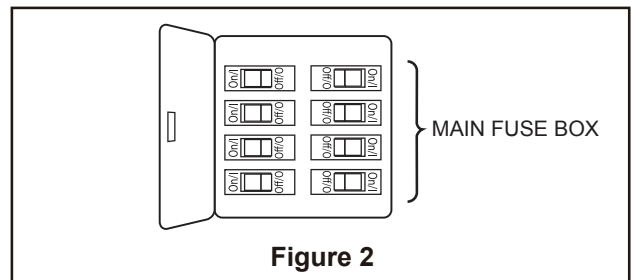
- **2.** Restore electrical power to the outlet box by turning the electricity on at the main fuse box. (Figure 2)

⚠ WARNING

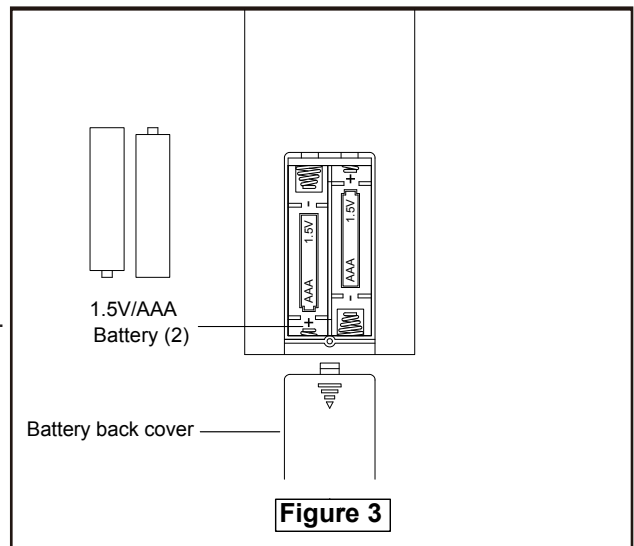
Check to see that all connections are tight, including ground, and that no bare wire is visible at the wire connectors, except for the ground wire. Do not operate fan until the blades are in place. Noise and fan damage could result.

⚠ WARNING

Do not operate this fan with a variable (Rheostat) wall controller or dimmer switch. Doing so could result in damage to the ceiling fan's remote control unit.




- **3.** To make fan operational, install two 1.5V AAA battery (If not used for long periods of time, remove battery to prevent damage to transmitter). Store the remote away from excessive heat or humidity. (Figure 3)



How to Operate Your Ceiling Fan (continued)

4. Remote Control functions: (Figure 4)

This remote control system is pre-paired at the factory. To re-pair the remote system to the handheld device, follow these steps after the unit is installed:

1. Turn power off to the unit and wait 15 seconds.
2. Turn power on. Within 4 seconds press and hold the On/Off Button.  The unit will beep twice to indicate successful pairing. Then release the button.
3. If you desire to control multiple fans with one remote, repeat these steps for each fan.

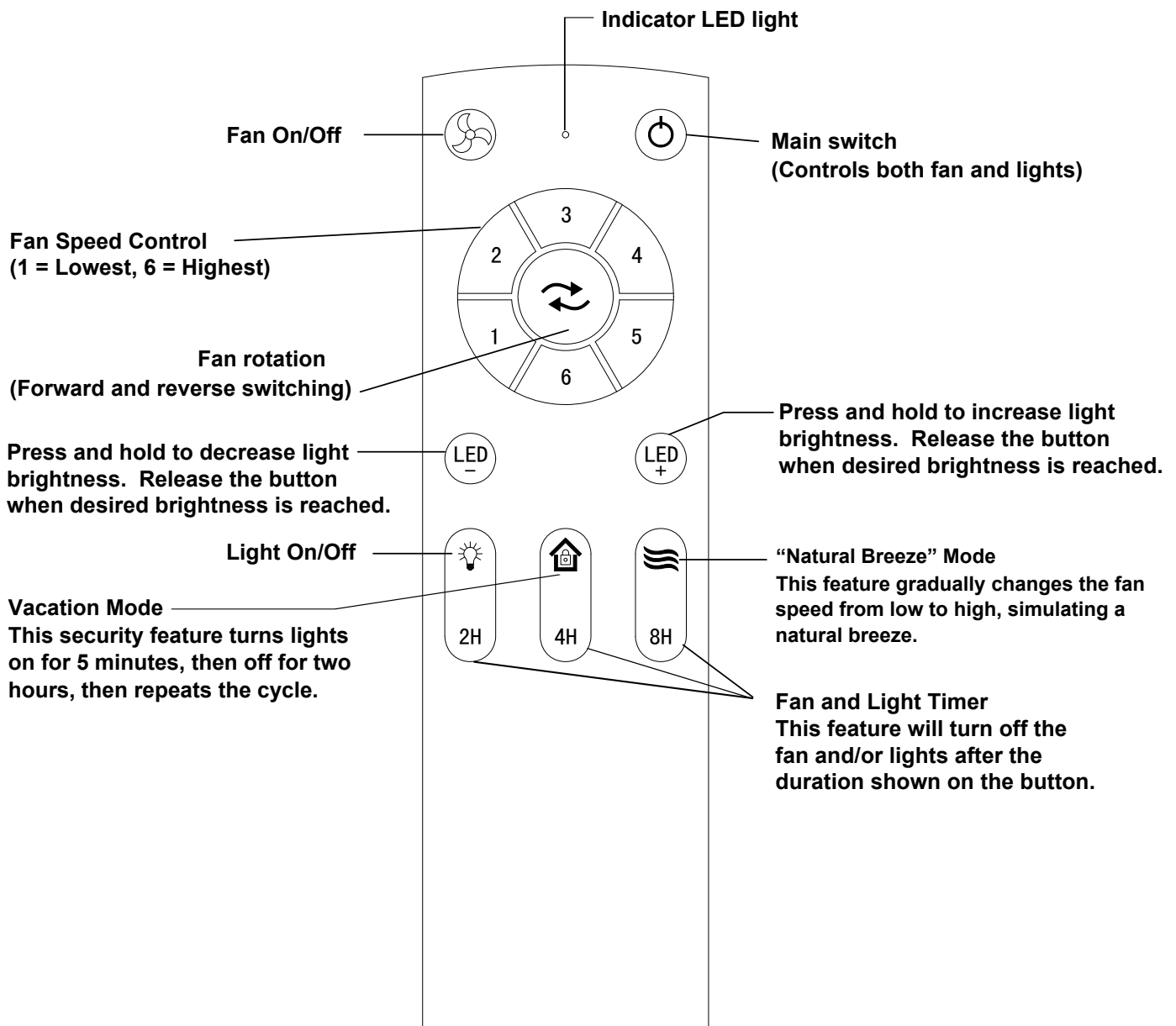
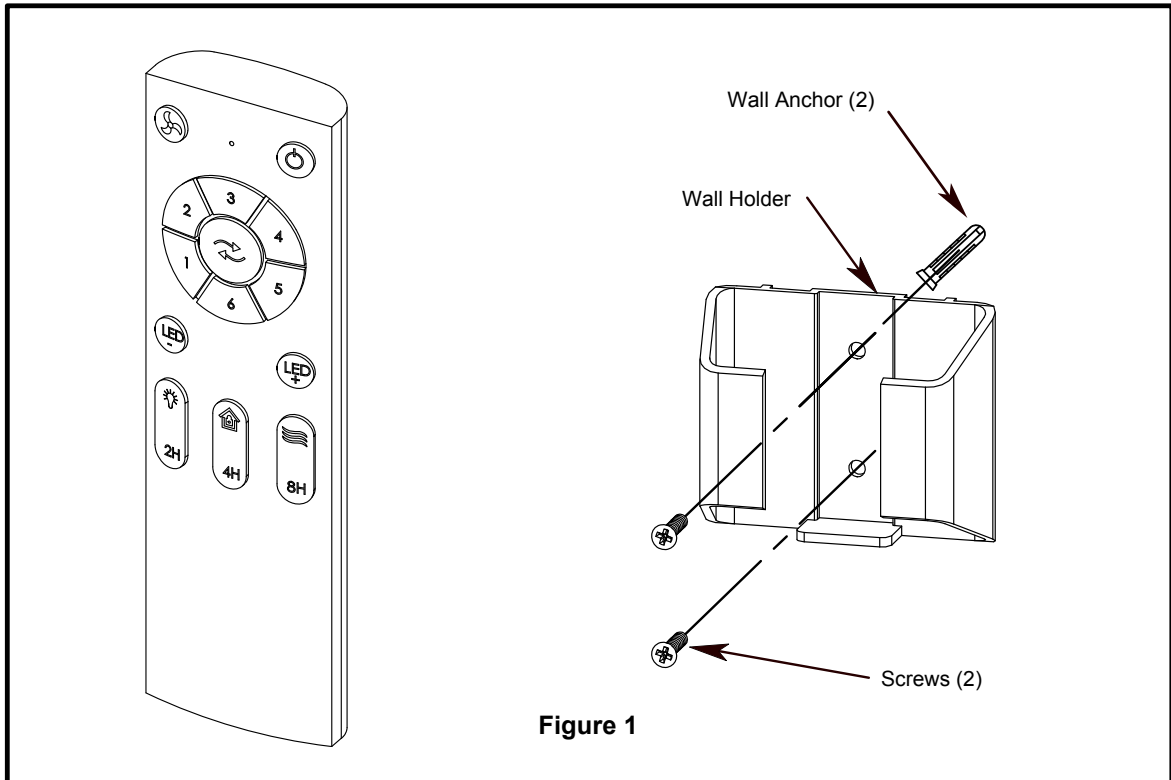


Figure 4

How to Install Your Remote Control

- 1. Installing Wall Holder:** (Figure 1)
Attach wall holder using the two provided screws.
If it is a cement wall, drilling holes is required and wall anchor need to be embedded first.



Maintenance

1. Periodic cleaning of your new ceiling fan is the only maintenance that is needed. When cleaning, use only a soft brush or lint free cloth to avoid scratching the finish. Abrasive cleaning agents are not required and should be avoided to prevent damage to finish.

CAUTION

Do not use water when cleaning your ceiling fan. It could damage the motor or the finish and create the possibility of electrical shock.

Replacement and disassembly diagram of fan blades.

Take out the fan nut cover clockwise, insert the screwdriver into the empty position of the hairpin, pull out the hairpin, and then take out the fan blade. (Figure 1)

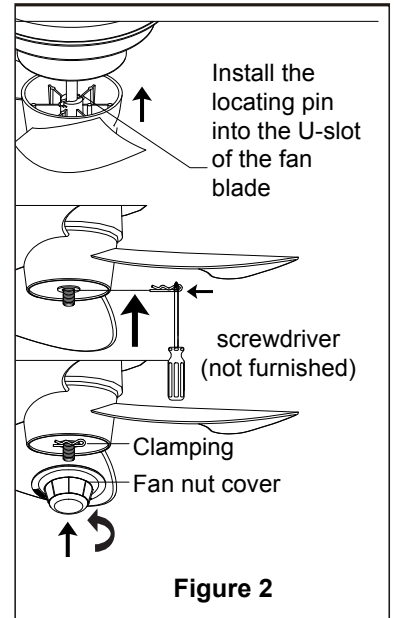
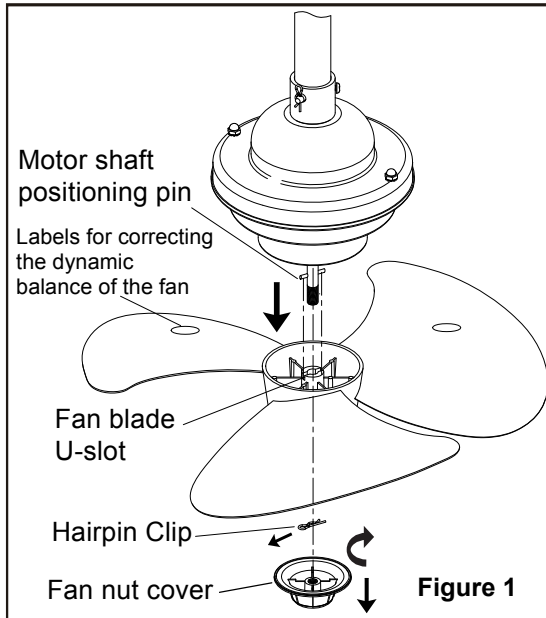
Align the U-slot of the fan blade with the locating pin of the motor rotating shaft. The pin should sink into the U-slot of the fan, then insert the hairpin into the side hole of the motor rotating shaft and clamp it on the motor rotating shaft. Finally, screw the fan nut cover into the middle shaft of the motor and tighten it counterclockwise to fix the fan blade. (Figure 2)

WARNING

Be careful not to tear off the balance stickers on the fan blades. The fan blades have been calibrated for dynamic balance, so as not to cause the lamp body to shake when the fan is running.(Figure 1)

WARNING

The U-slot of the fan blade must be installed on the locating pin of the motor rotating shaft, otherwise the fan cannot run.(Figure 2)



Troubleshooting

⚠ WARNING

For your own safety turn off power at fuse box or circuit breaker before trouble shooting your fan.

Trouble	Probable Cause	Suggested Remedy
1. FAN WILL NOT START	<ol style="list-style-type: none"> 1. Fuse or circuit breaker blown. 2. Loose power line connections to the fan, or loose switch wire connections in the switch housing. 3. Reversing switch in neutral position. 4. Dead battery in remote control. 	<ol style="list-style-type: none"> 1. Check main and branch circuit fuses or circuit breakers. 2. Check line wire connections to fan and switch wire connections in the switch housings. <p>CAUTION: Make sure main power is turned off !</p> <ol style="list-style-type: none"> 3. Make sure reversing switch position is all the way to one side. 4. Replace with new battery.
2. FAN SOUNDS NOISY	<ol style="list-style-type: none"> 1. Loose screws in motor housing. 2. Wire connectors inside housing rattling. 	<ol style="list-style-type: none"> 1. Check to make sure all screws in motor housing are snug (do not overtighten). 2. Check to make sure wire connectors in switch housing are not rattling against each other or against the interior wall of the switch housing. <p>CAUTION: Make sure main power is turned off !</p>

Parts List

Reference #	Description	Part #
1	Motor Assembly	MA
2	Hanger Bracket Assembly	HBA
3	LED Bulb	AR-LIGHT
4	Receiver	AR-RECEIVER
5	Hand-held Remote	AR-TRANSMITTER
6	Receiver input plug wire	AR-DCINPUTWIRE
7	Hardware Bags Containing:	HPB
	Hanger bracket installation parts Safety cable installation parts	

** Insert FINISH CODES (Refer to fan model number located on canopy)

Before discarding packaging material, be certain all parts have been removed.

HOW TO ORDER REPAIR PARTS

When ordering repair parts, always give the following information:

- Part Number
- Part Description
- Fan Model Number

Exploded-View Illustration

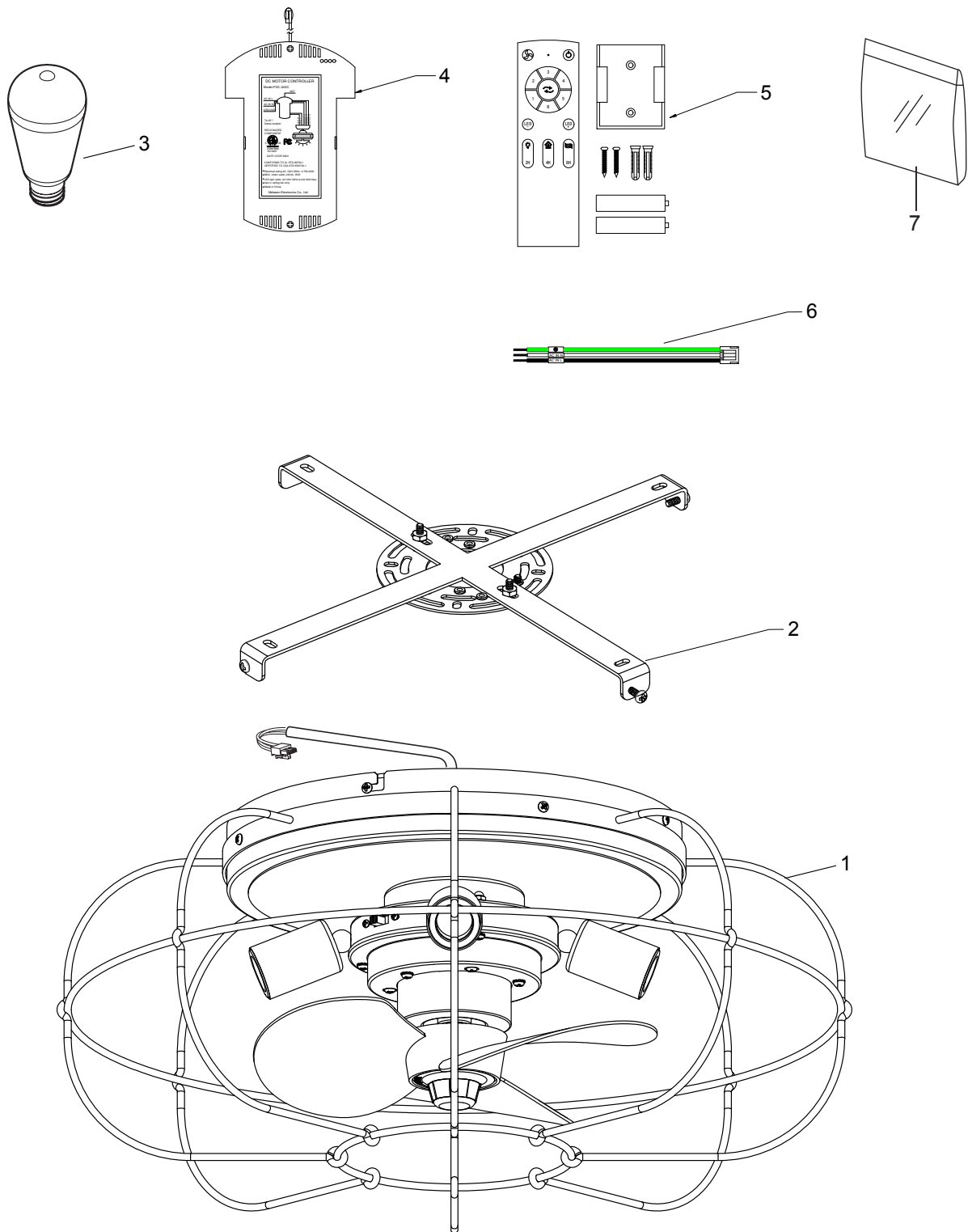


Figure 1

NOTE: The illustration shown is not to scale or its actual configuration may vary.
Product/parts are subject to change without notice.