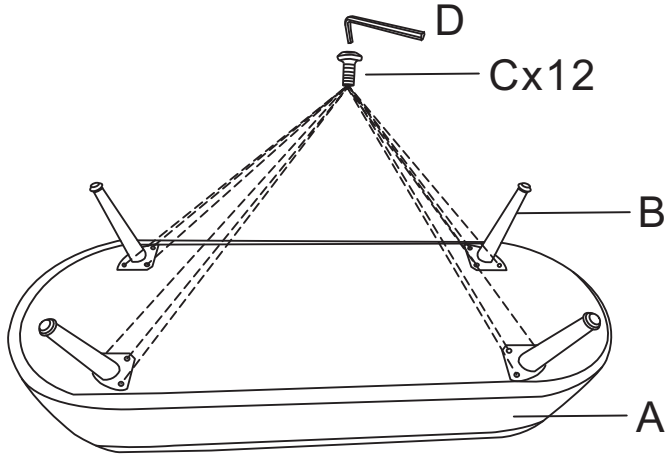


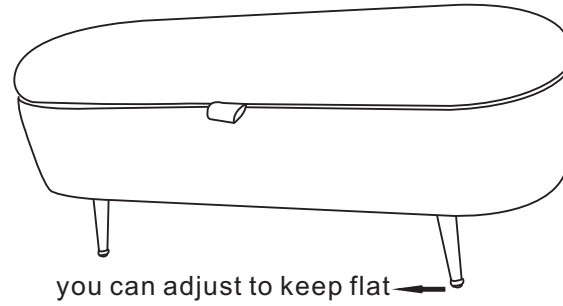
ASSEMBLY INSTRUCTION

▽ ASSEMBLY PROGRAM

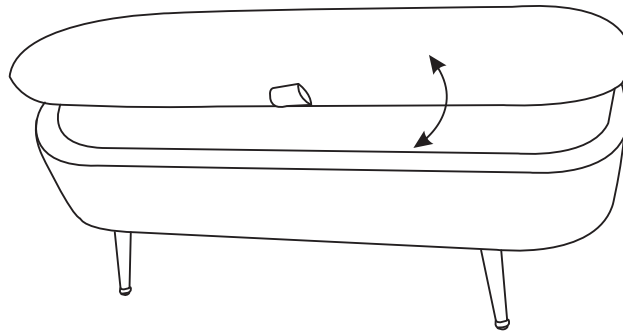
1



2

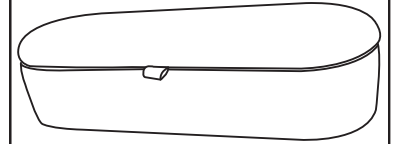


3

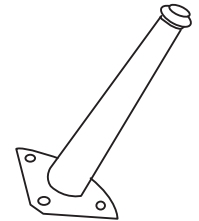


▽ PARTSxQTY

Ax1



Bx4



Cx12



M6x16

Dx1

