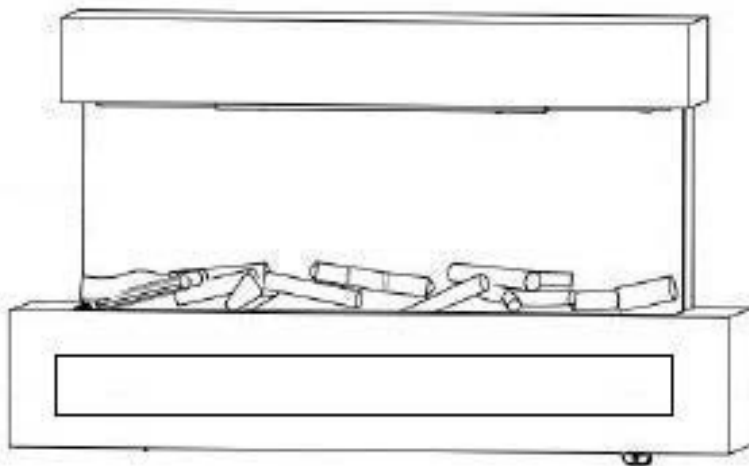
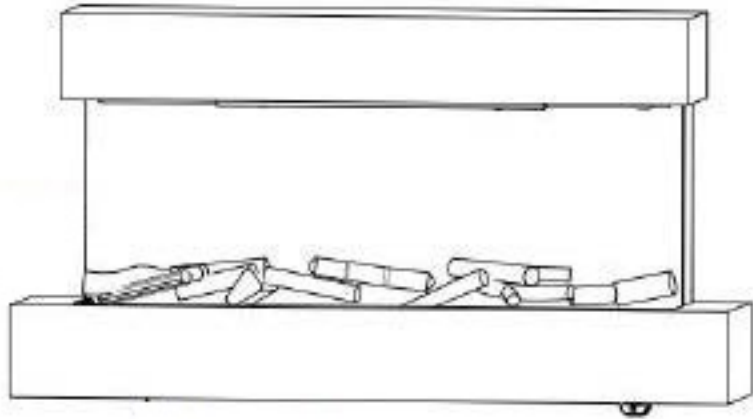


# Installation and User Instructions



## **Model: E120S/E131S Fireplace Mantle**

For use with E120R – 2KW Electric Fire

**PLEASE READ THIS MANUAL BEFORE INSTALLING AND USING APPLIANCE.  
INSTALLER: DO NOT DISCARD THIS MANUAL – LEAVE WITH THE CUSTOMER.  
SAVE THESE INSTRUCTIONS FOR FUTURE REFERENCE.  
SCAN THE QR CODE TO GET THE INSTALLATION VIDEO.**

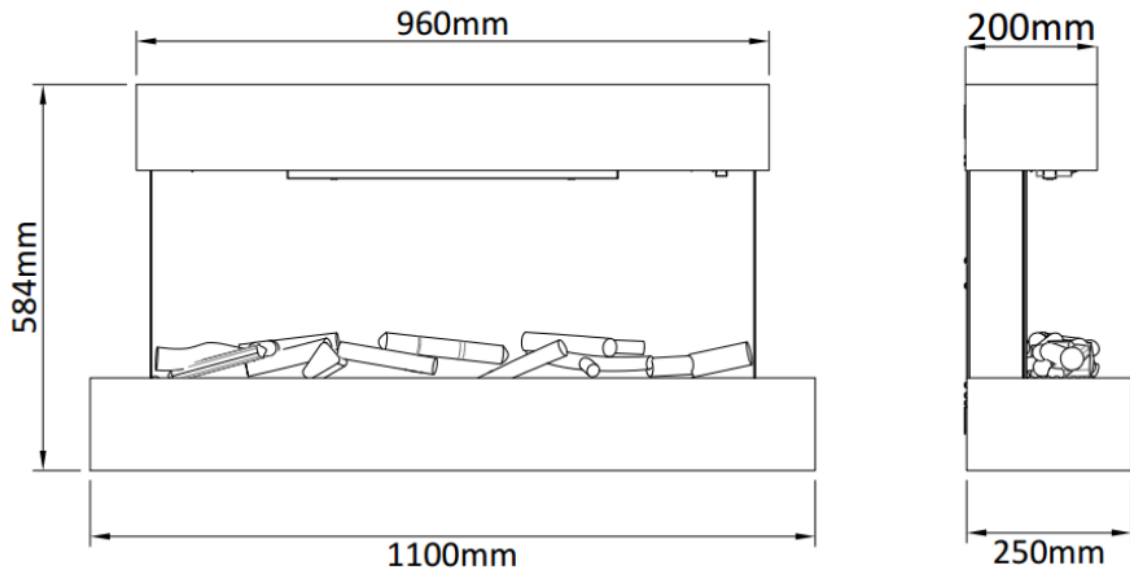
**Appliance Development Services Ltd**

**Tel 01723 583227**

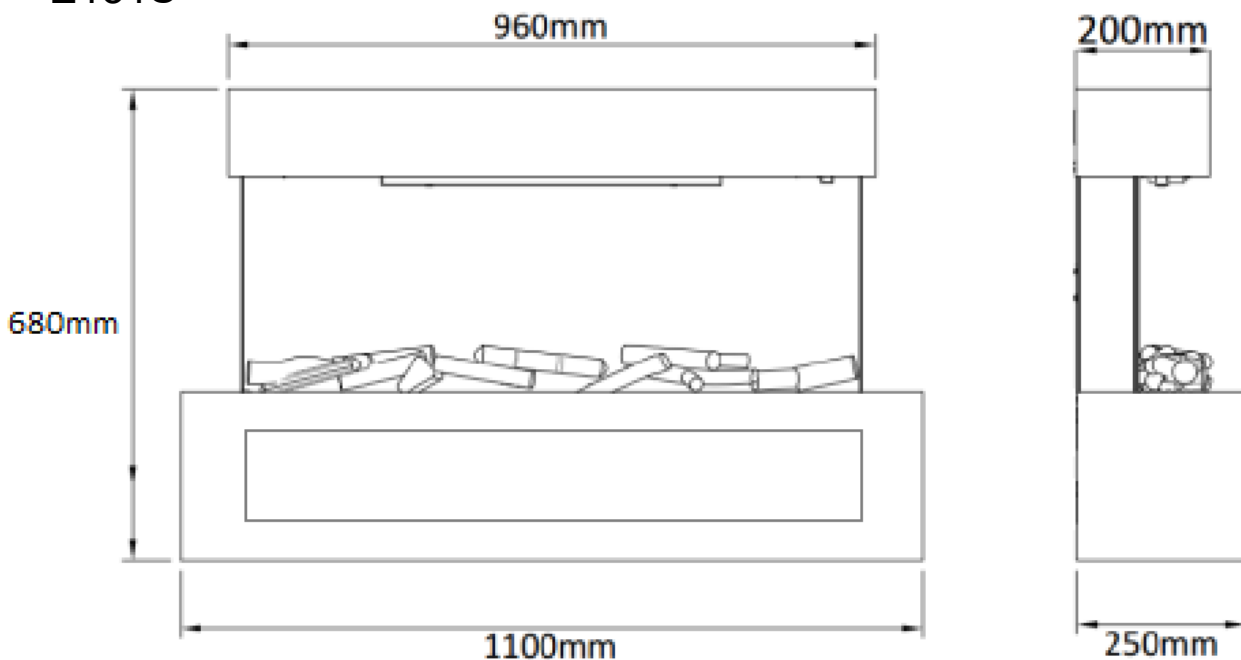
## SECTION 1 DIMENSIONS

Dimensions in mm

E120S



E131S

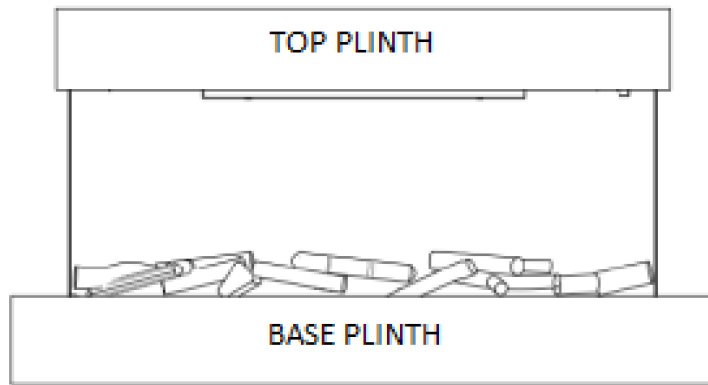


## SECTION 2 ASSEMBLY AND INSTALLATION

### 2.1 Unpack

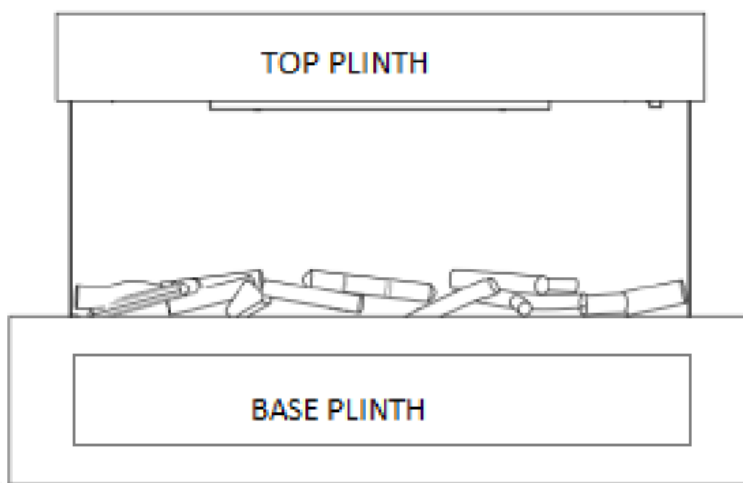
- Open the package carefully and remove all pieces. Carefully inspect each part for any damage before you begin assembly.
- Make sure that you have all the parts listed below before assembling.
- Retain packaging for future transport and/or storage.
- please follow all the steps for both the E120S and the E131S.

E120S



Name	Quantity
Top plinth	1
Bottom plinth (NO SHELF)	1

E131S

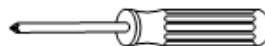


Name	Quantity
Top plinth	1
Bottom plinth (WITH SHELF)	1

NOTE: left and right of product are distinguished by its front view.

## 2.2 Before installation

Tools required: Magnetic Phillips screwdriver



## 2.3 Installation

NOTE!

- Assembly required by two adults.
- This fireplace suite must be fitted to the wall. For directions on how to do so, please follow the instructions located in the fire. **Do not use any silicon-based sealant.**
- To avoid over tightening, **do not use** an electric screwdriver.
- Use washers when fixing with screws. **Do not** over tighten bolts.
- Only use the screws supplied with this mantel.

Please follow the instructions for both the E120S and the E131S

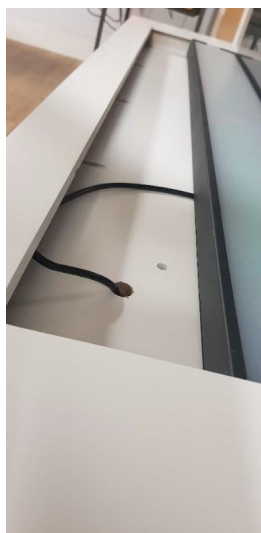
**NOTE:** Follow these instructions after fitting the fire to the wall.

**Figure 1**

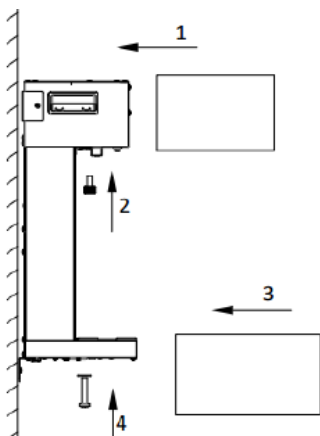


- 1) At the bottom right side of the fire unit, you will see a small metal plate secured by 2 screws. Remove these two screws and pull out the LED cable.
- 2) Push the male connector from the fire into the female connector from the base plinth together. They will click into place as shown in figure 1.

**Figure 2**



- 3) Thread the cable through the metal plate, ensuring that both connectors are in the space, and resecure the metal plate to the fire.
- 4) Slide the lower mantle onto the fire pushing it all the way back to the wall, making sure the cable sits between the mantle and fire base, as shown in figure 2.



- 5) Fix the lower mantle section with the two M5\*25 screws and washers supplied.
- 6) On the inside of the top panel there should be 2x black brackets. Fold these out to a 90 degree angle then slide the top panel over the wall mounted fire as shown in the diagram opposite.

## SECTION 3 CLEANING & MAINTAINENCE

Your mantel surface coating will give off a slight odour for a brief inital period. Try to ventilate as much as possible during this time.

### Daily cleaning:

- Clean the mantel surfaces with a soft, lint-free cloth.
- Do not use cleaning or polishing products

### Avoid

- Long-term direct sunlight.
- Excessive temperatures and humidity to protect the life of your furniture surface
- Do not put heavy or sharp objects on this mantel