

# 63" Double Bathroom Vanity

W: 24.8" x D: 18.89" x H: 33.4"

If the vanity top weighs 50 lbs. or more, have someone assist you.

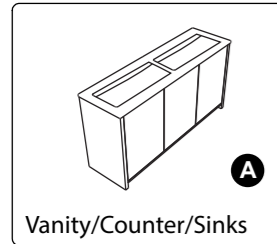


•Prior to installation please check received items against the " Packing List" . Please report any missing items to your retailer immediately.

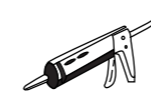
Protect all surfaces from sharp objects, high heat sources, direct prolonged sunlight and chemical hazards.

Professional installation recommended.

## PACKING LIST



## REQUIRED TOOLS NOT IN BOX

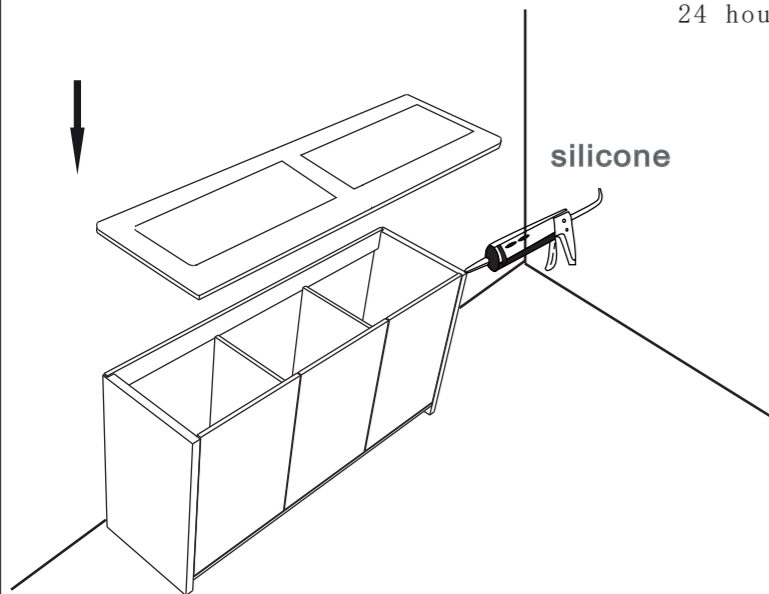


Silicone

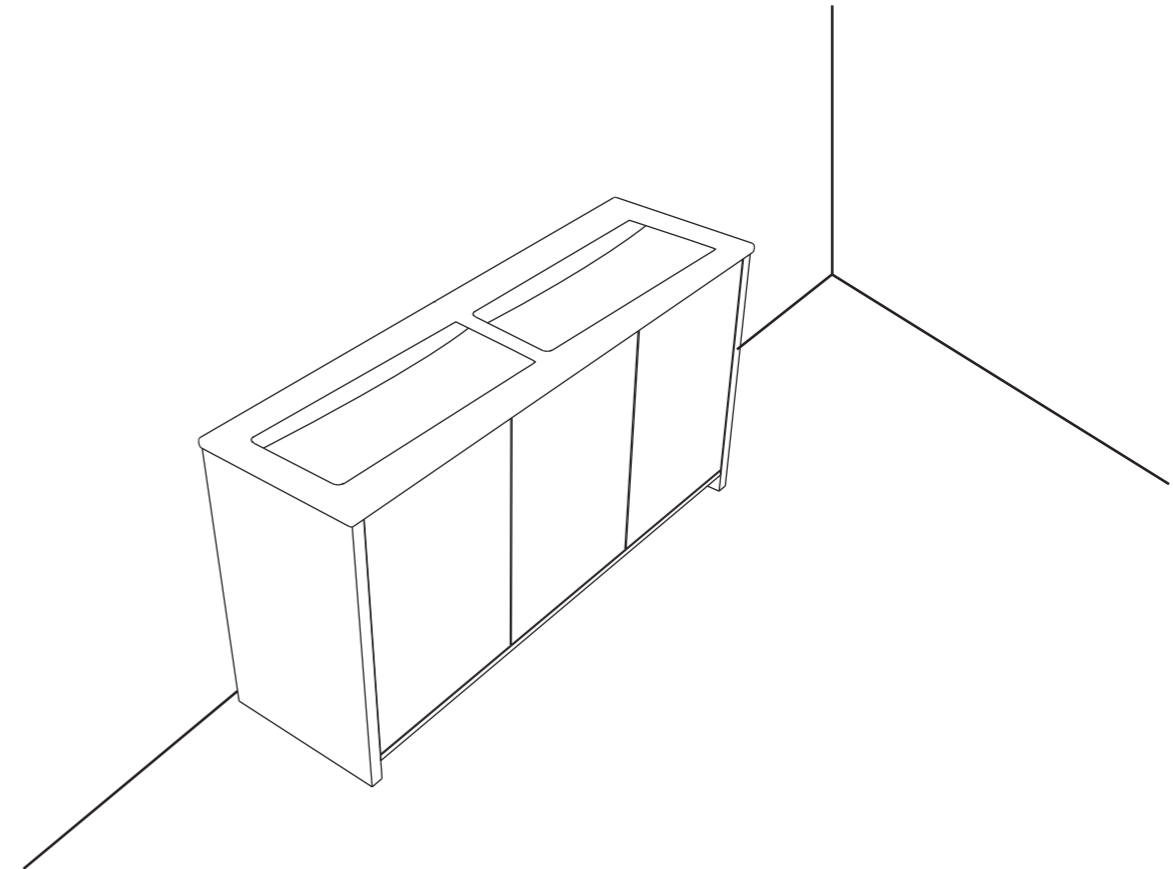
## INSTALLATION INSTRUCTIONS

1

Attach washbasin to cabinet with silicone sealant. Do not over apply. Allow to dry for 24 hours for proper curing.



2



### ⚠ CAUTION

It is the responsibility of any individual who installs or maintains BAGNOTTI® products to fully understand and follow proper installation and maintenance procedures. Be aware of the inherent dangers in the use of power tools when installing this product. Read and understand all Warnings, Cautions, and Notices in this manual.

### ⚠ WARNING

To avoid product damage, personal injury, or even possible death, carefully read, understand, and follow all the instructions in this installation guide before installing this product(s). Do not use cleaning fluids or operate power tools unless you read and understand the instructions and warnings in this and all other applicable labels or manuals. Proper use of tools and the products described in this guide is your responsibility

### ⚠ WARNING

Follow all manufacturers' safety instructions for silicone sealants and denatured alcohol. Alcohol vapors are both flammable and hazardous to breathe. Silicone vapors may irritate eyes and nose. Personal injury can result from improperly handling or use of products, such as denatured alcohol. Always follow the manufacturer's recommendations for the safe use of these products. Ventilate any work area before beginning to apply silicone sealants, cleaning agents, or solvents.

### ⚠ WARNING

**Eye Protection**  
Be sure to use all personal protective equipment to ensure your own safety. To avoid eye injury, always wear protective glasses with side shields when using power tools. Also, make sure no one else can be injured by flying particles when using power tools.

**Fire Hazard**  
Personal injury or death can result from a fire caused by flammable liquids or silicone sealants. Cleaners or solvents can be highly explosive, resulting in personal injury or even death, when not used properly. Clean up any flammable substance immediately. Sparks or open flames can cause flammable substances to ignite. DO NOT smoke while working on or near any flammable substance.

**Fumes Hazard**  
The fumes from the silicone and solvents used by the installer can be harmful if used in an unventilated room. Always work in a well-ventilated area. To keep the area well-ventilated, open windows and use exhaust fans. If adequate ventilation is not achievable or practical, use respiratory protective equipment.

**Power Tool Hazard**  
To prevent personal injury or possible death, always follow the electrical safety recommendations of the power tool's manufacturer. Do not use power tools in an unsafe manner. Power tools should only be connected to a circuit protected by a ground-fault circuit interrupter

### ⚠ WARNING

**Shock Hazard**  
Never use electric power tools around water, condensation, or other liquids. Electric shock can cause severe burns, significant injuries, and even death. If an extension cord is required, always use an OSHA approved extension cord. Power cords should only be connected to a circuit protected by a ground-fault circuit interrupter (GFI).

**Electrical Shock Hazard**  
Contacting live electrical wiring with power tools or hand tools can cause serious injury or death. Make sure all related circuit breakers are turned OFF. Test for live circuits or wiring inside any wall where installation of the BAGNOTTI® product requires cutting into a wall.

**Electrocution Hazard**  
Water and other liquids conduct electric current and can create a short circuit, resulting in injury or death. Keep all liquids away from electrical cords and power tools. DO NOT create a short circuit between a source of electricity and a liquid by being in contact with both simultaneously.

**Tripping Hazard**  
Personal injury can result from tripping hinges, pegs, power tools, or other items. DO NOT leave items laying around the work area.