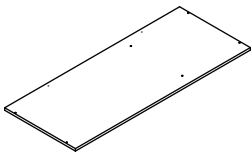
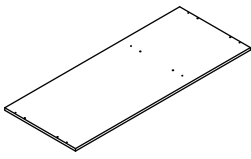
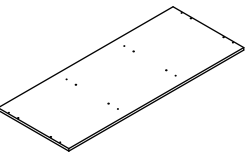
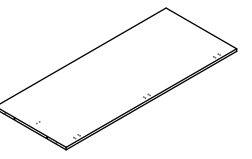
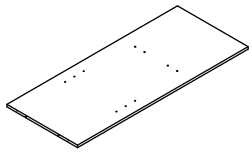
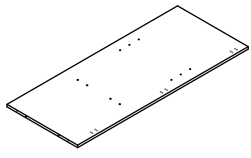
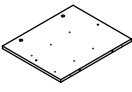
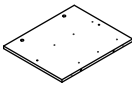
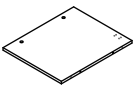
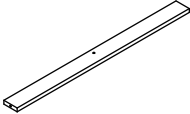
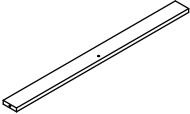
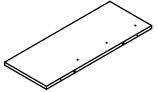
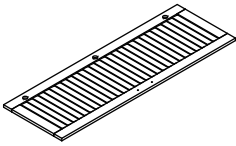
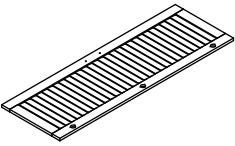
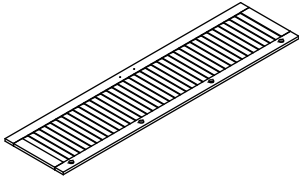
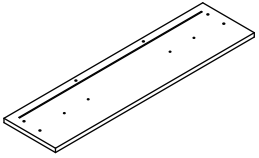
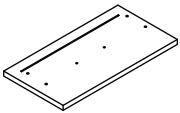
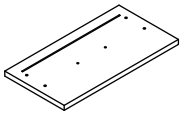
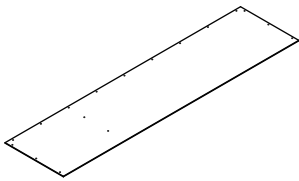
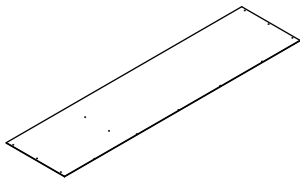
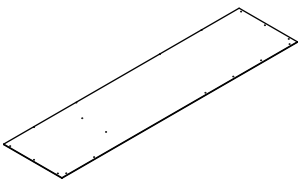
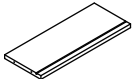
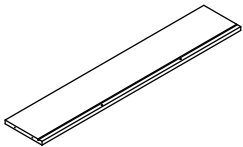
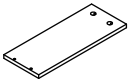
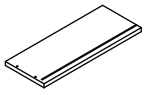
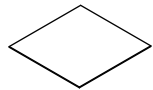
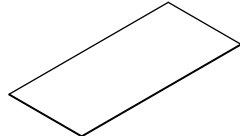
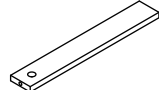
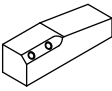
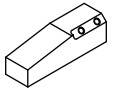
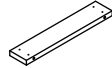
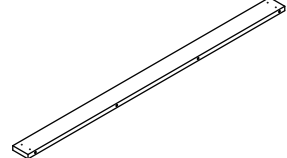
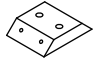
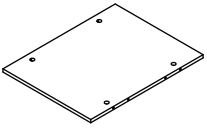
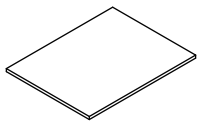
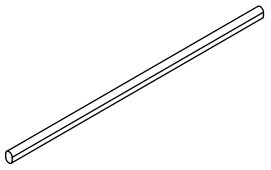
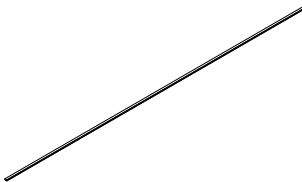
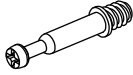





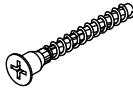

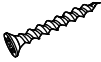
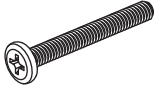
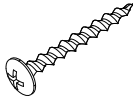
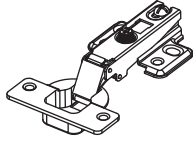
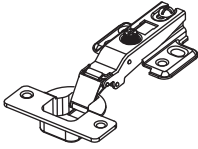
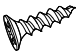

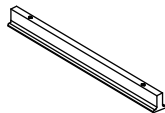
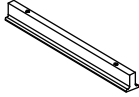



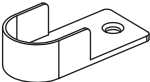
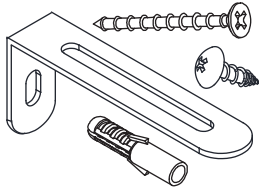
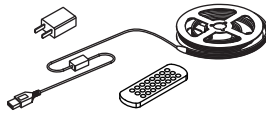
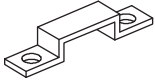


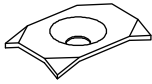
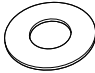
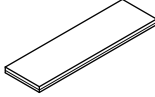


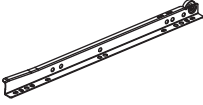


Parts and Operation Elements

			
① 1pc	② 1pc	③ 1pc	④ 1pc
			
⑤ 1pc	⑥ 1pc	⑦ 1pc	⑧ 1pc
			
⑨ 1pc	⑩ 1pc	⑪ 1pc	⑫ 1pc
			
⑬ 1pc	⑭ 1pc	⑮ 1pc	⑯ 1pc
			
⑰ 1pc	⑱ 1pc	⑲ 1pc	⑳ 1pc
			
㉑ 1pc	㉒ 2pcs	㉓ 1pc	㉔ 3pcs

			
②⑤ 3pcs	②⑥ 2pcs	②⑦ 1pc	②⑧ 2pcs
			
②⑨ 2pcs	③⑩ 2pcs	③① 2pcs	③② 2pcs
			
③③ 4pcs	③④ 1pc	③⑤ 1pc	③⑥ 1pc
			
③⑦ 1pc			

Hardware

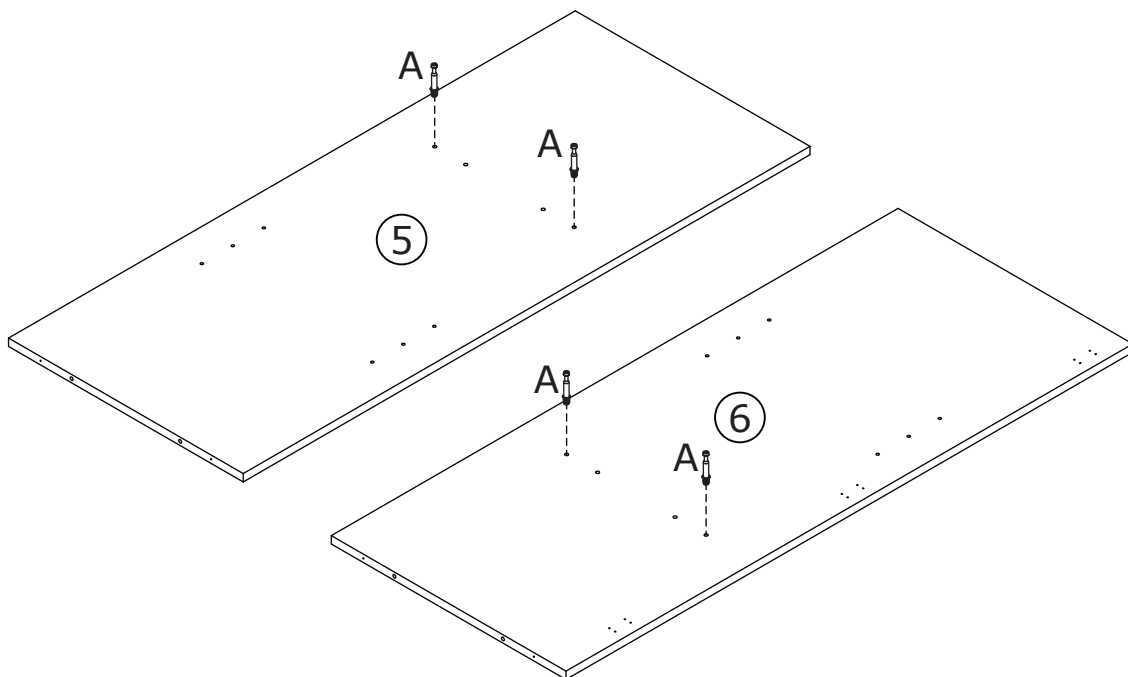
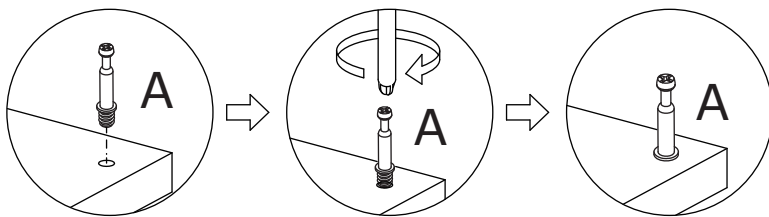
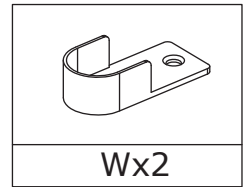
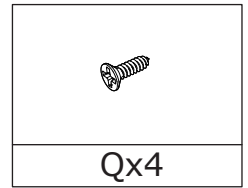
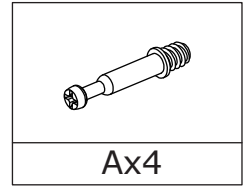
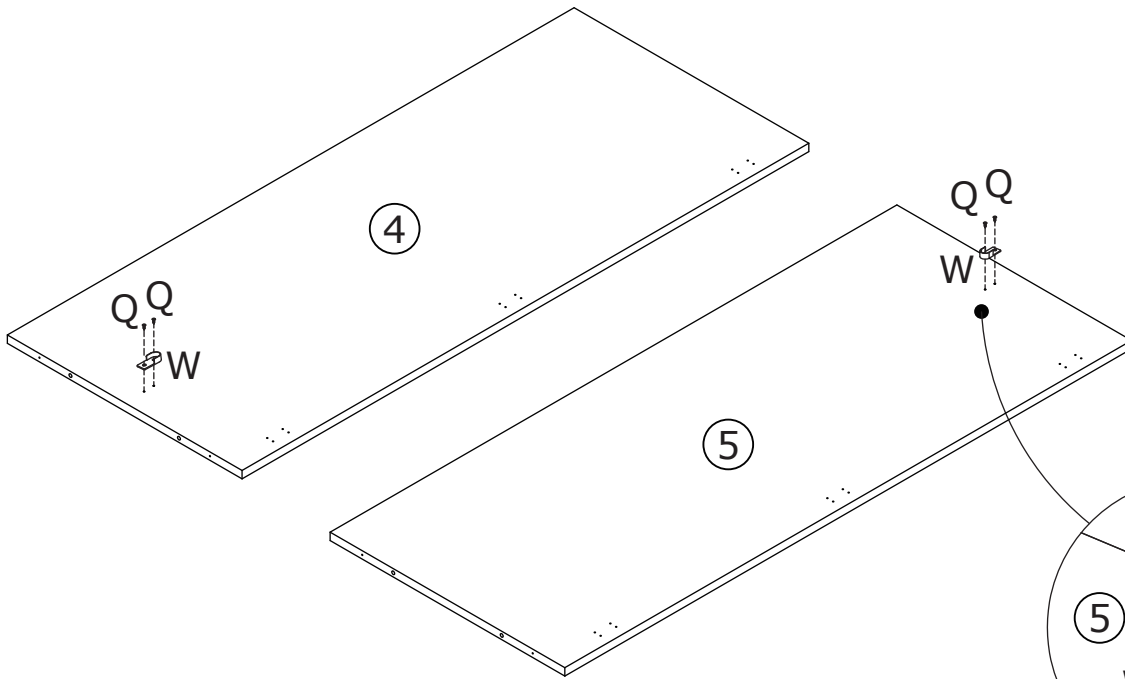
			
Cam Bolt	Cam Lock	Cam Bolt	Cam Lock
A	18pcs ^{+2pcs}	B	18pcs ^{+2pcs}
			
Ø6x30mm Dowel	Ø8x40mm Dowel	M5x40mm Screw	M4x30mm Screw
E	6pcs	F	32pcs ^{+2pcs}
			
M4x25mm Screw	M6x45mm Screw	M4x40mm Screw	
J	16pcs ^{+2pcs}	K	8pcs
			
	M4x14mm Screw	M3.5x12mm Screw	
N	7pcs	P	60pcs ^{+2pcs}
			
	M4x18mm Screw		M2.5x12mm Screw
S	4pcs	T	14pcs ^{+2pcs}
			
W	2pcs	Y	1pc
X	2pcs	Z	12pcs

			
(a) 5pcs	(b) 8pcs	(d) 4pcs	(e) 28pcs ^{+2pcs}
			
(CL) 3pcs	(DL) 3pcs	(CR) 3pcs	(DR) 3pcs

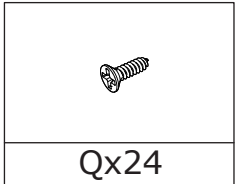
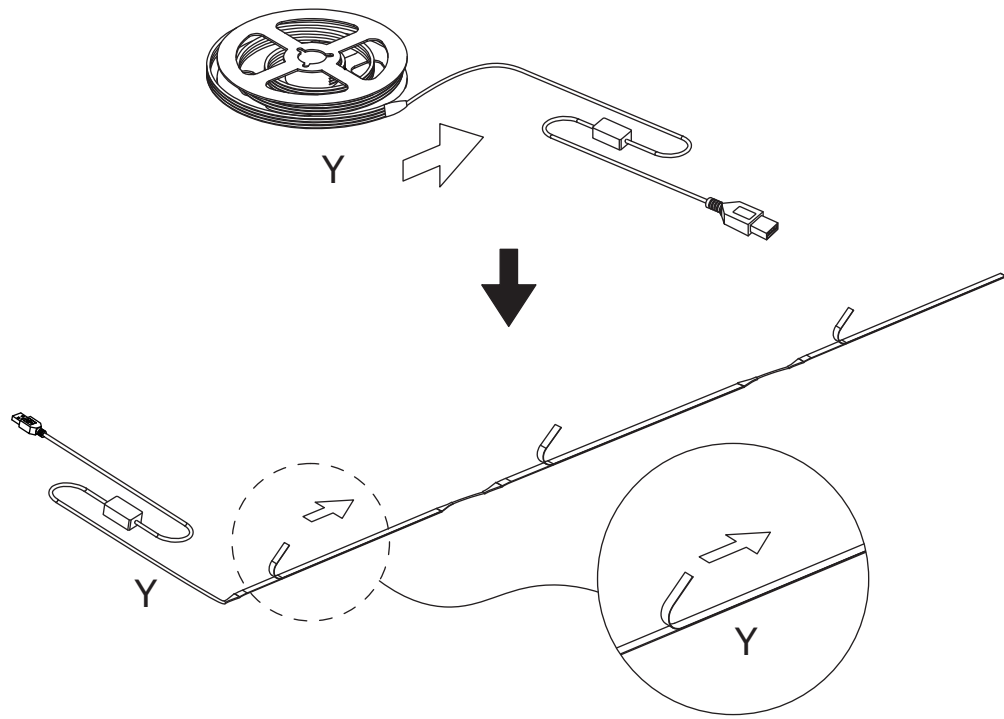


Tips: The number after "+" represents the spare hardware.

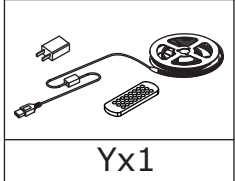
1



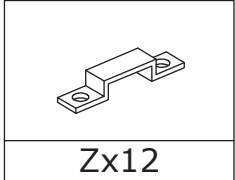
3



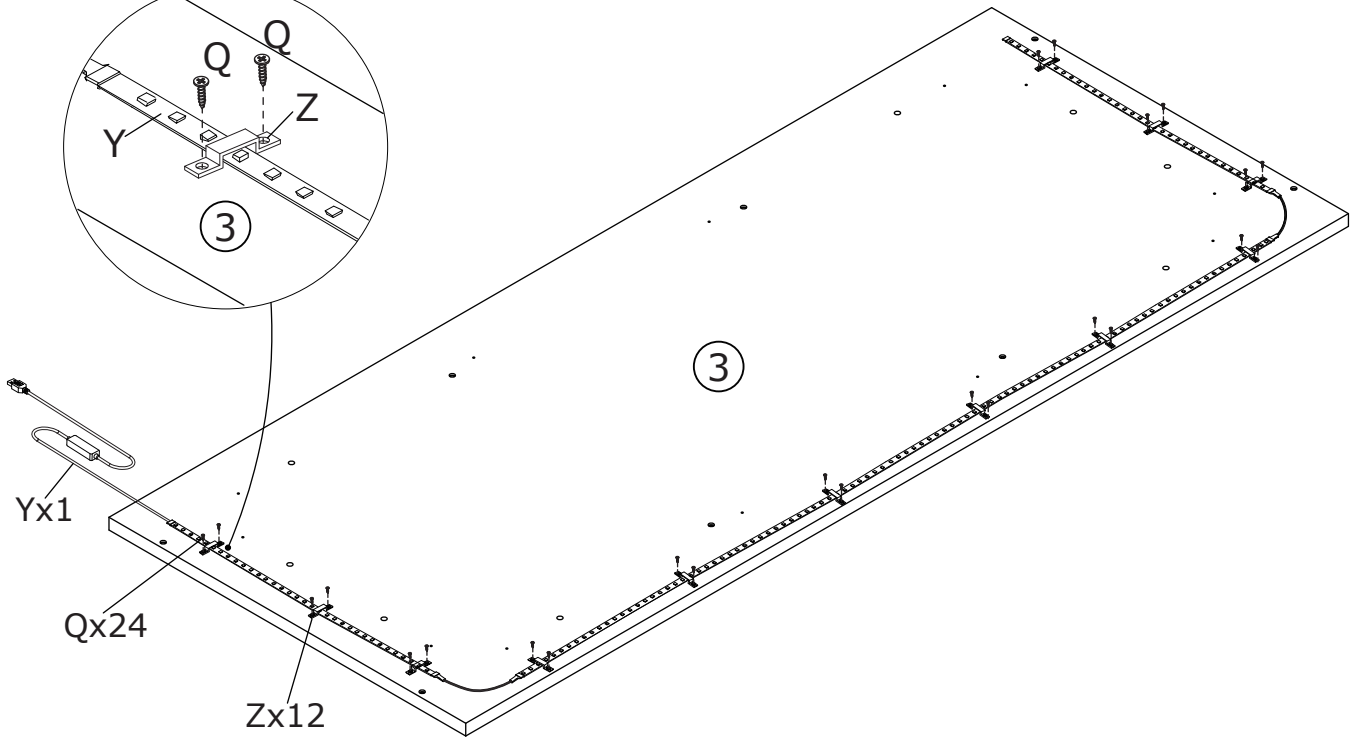
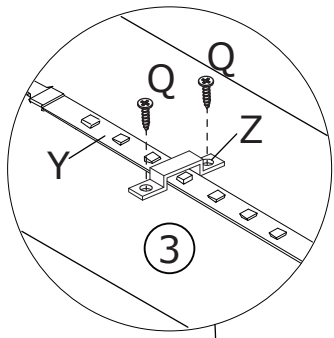
Qx24



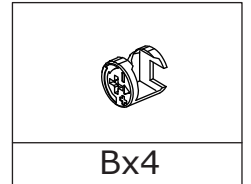
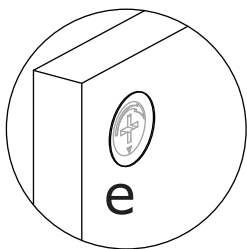
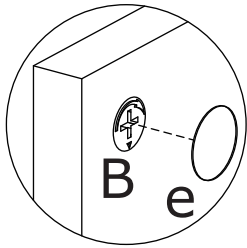
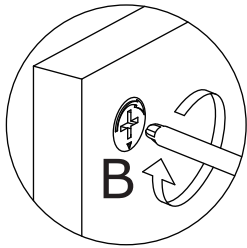
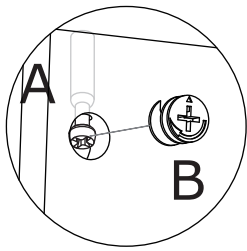
Yx1



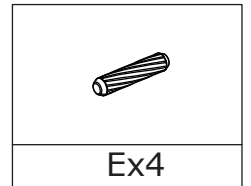
Zx12



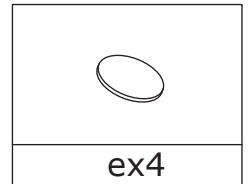
4



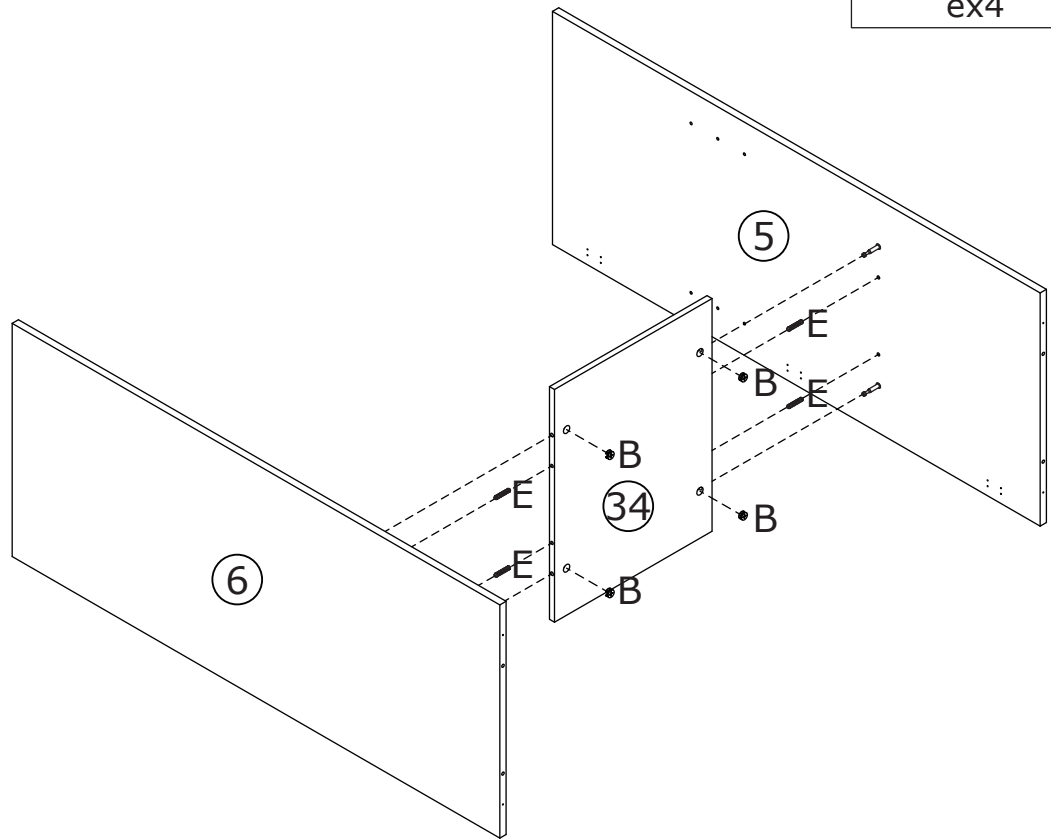
Bx4



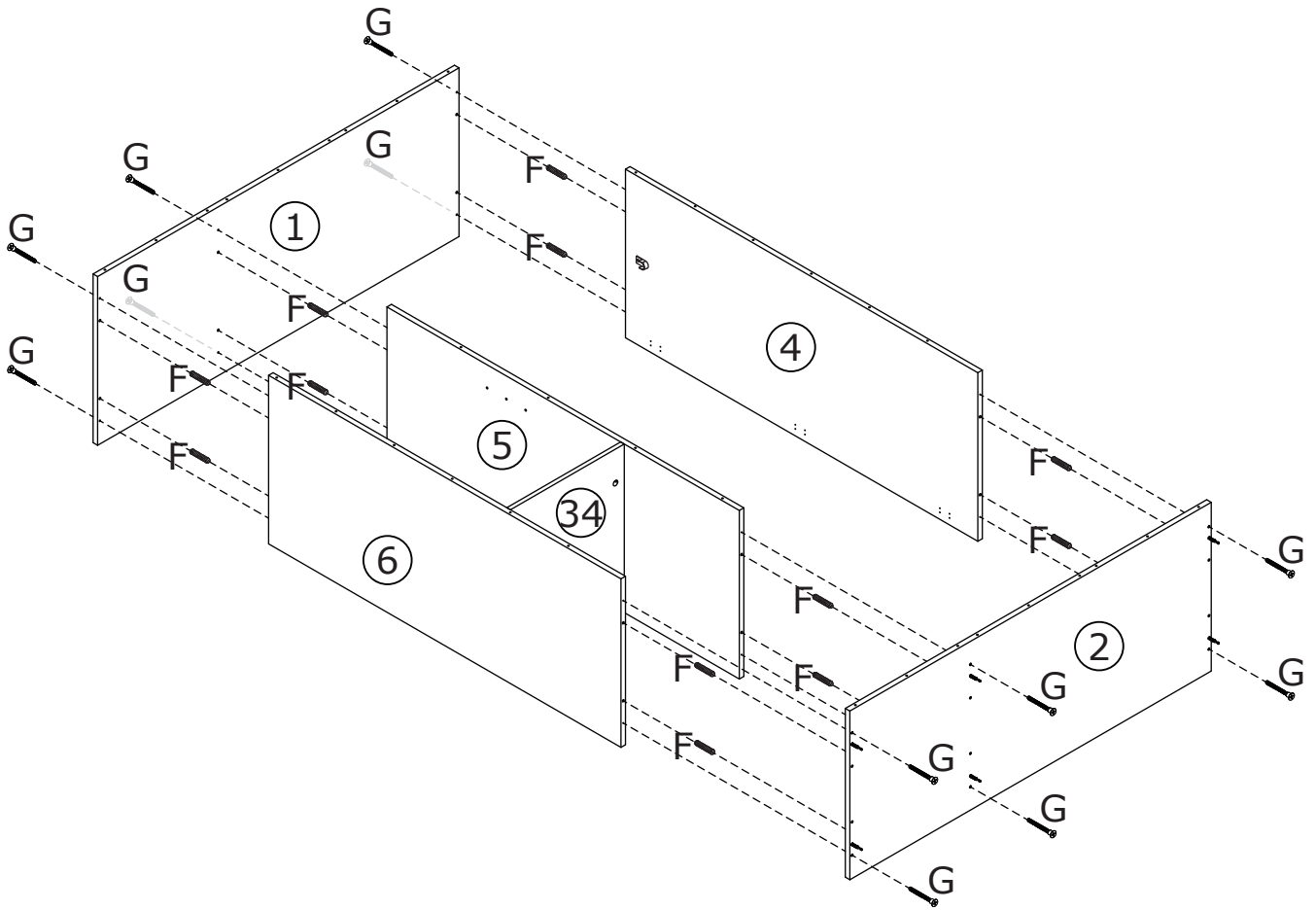
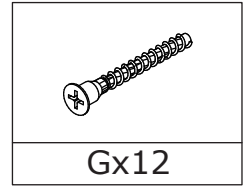
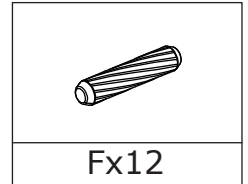
Ex4



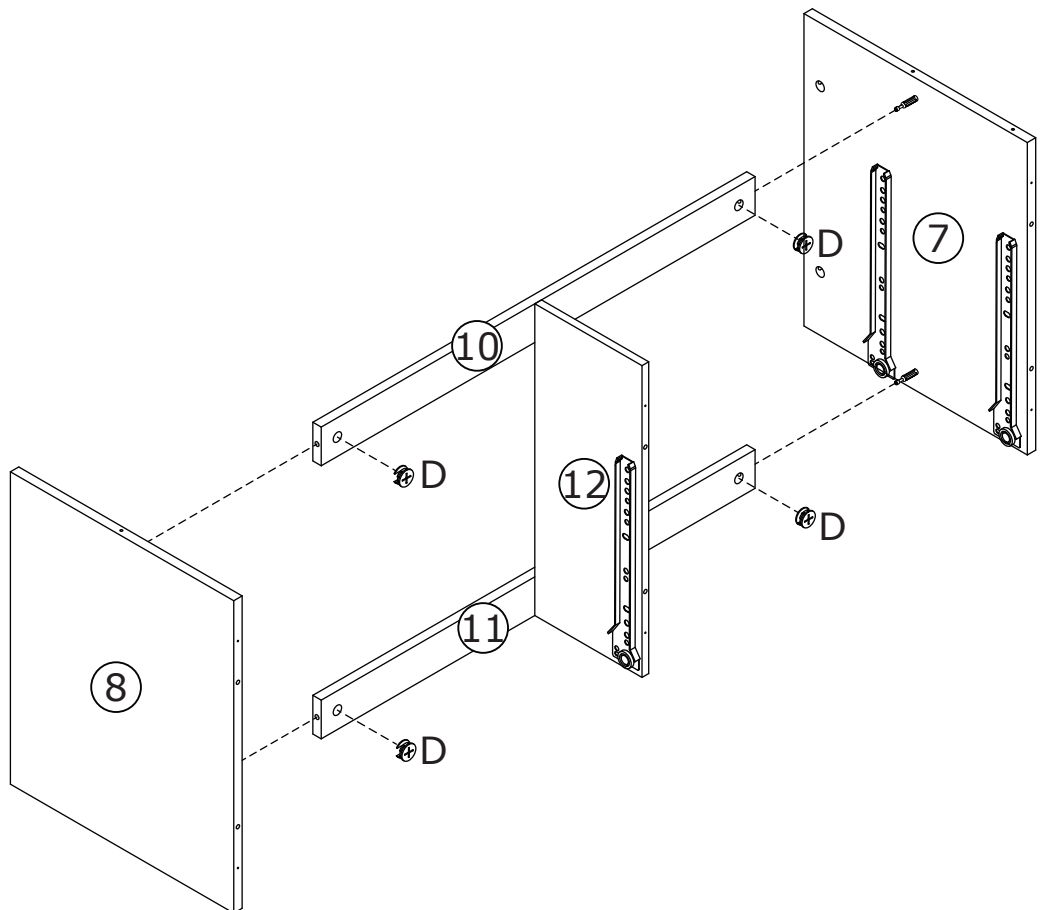
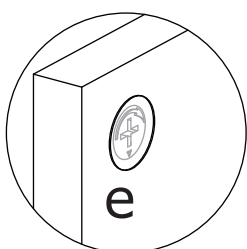
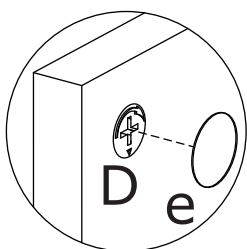
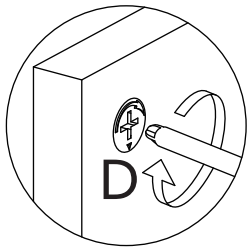
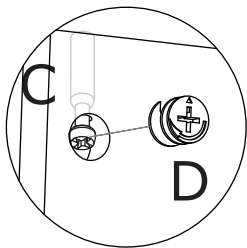
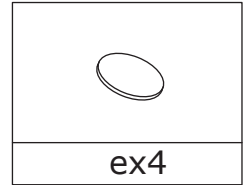
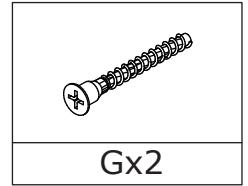
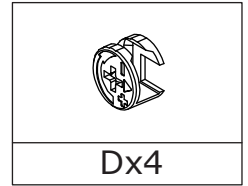
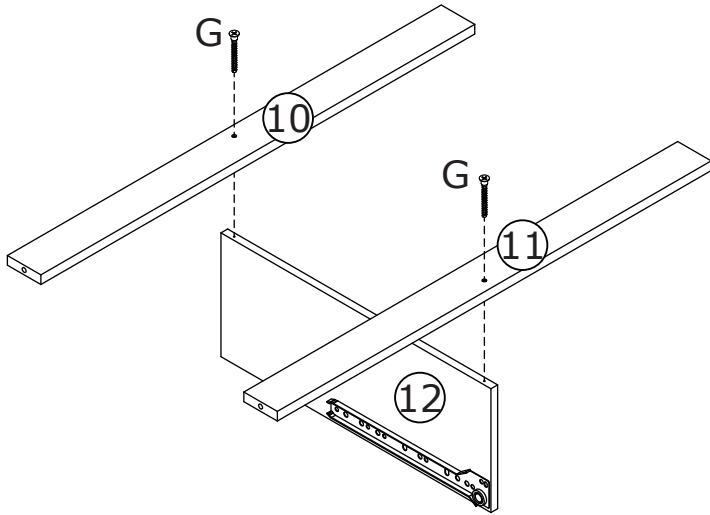
ex4



5



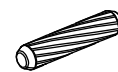
6



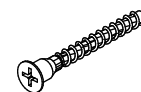
7



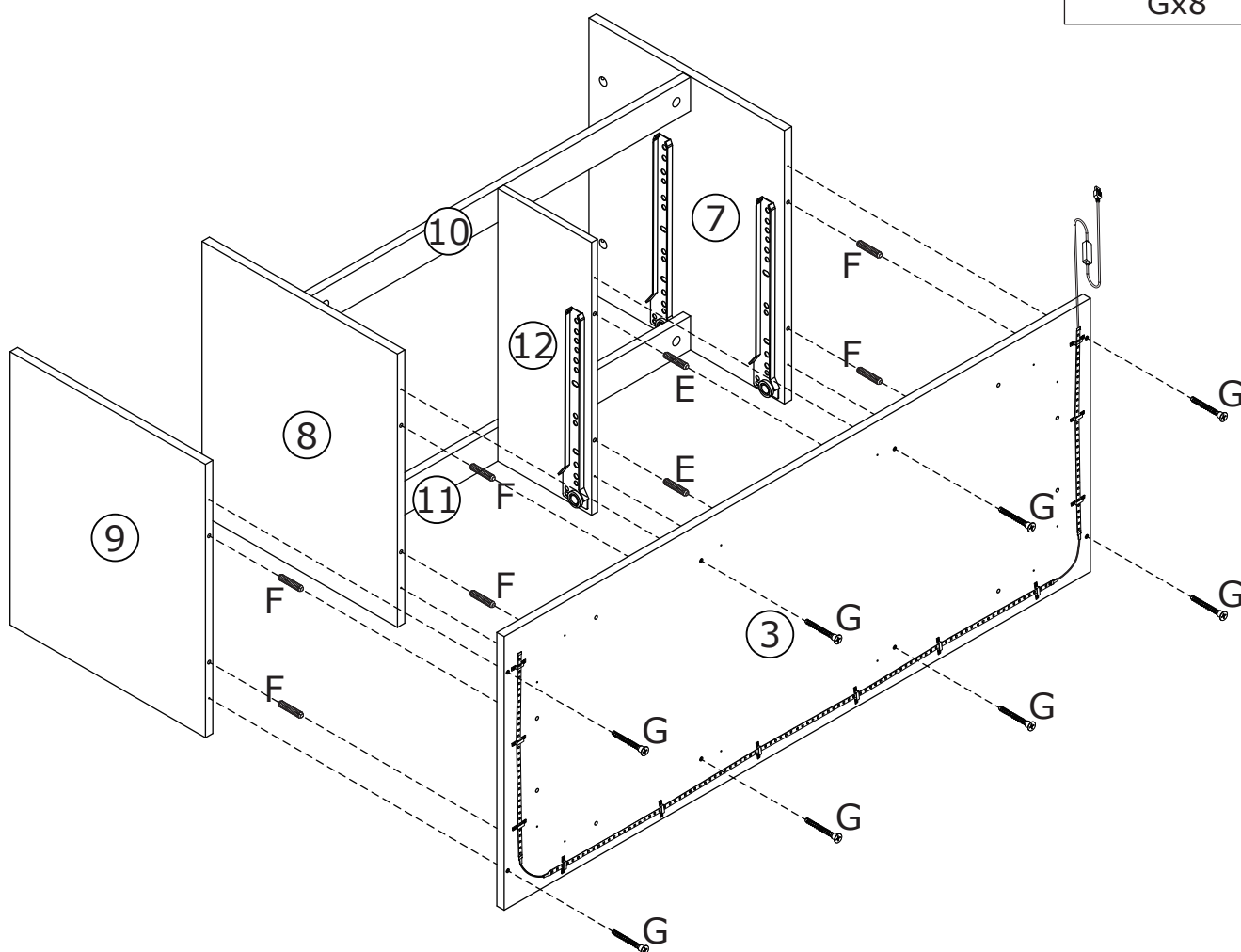
Ex2



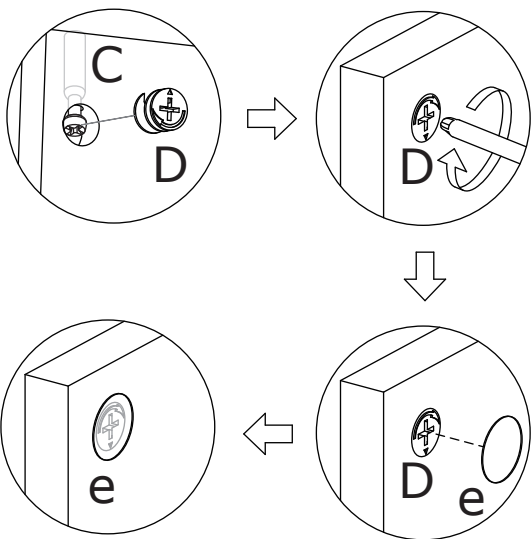
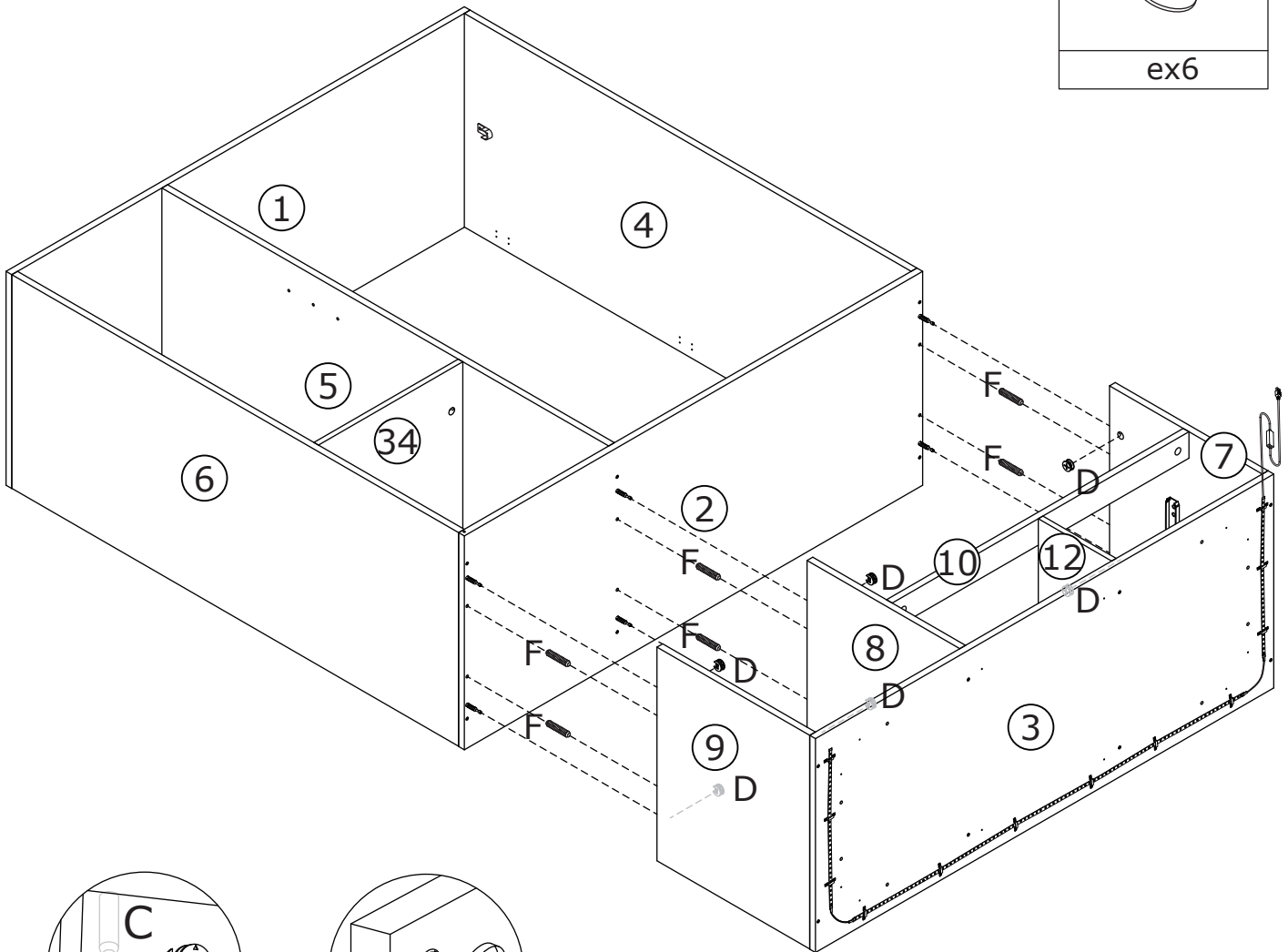
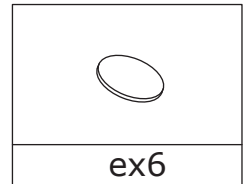
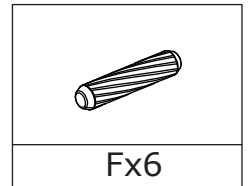
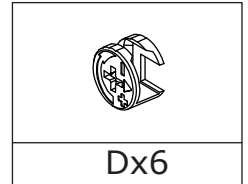
Fx6



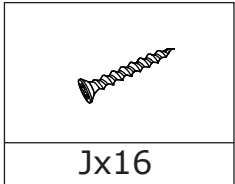
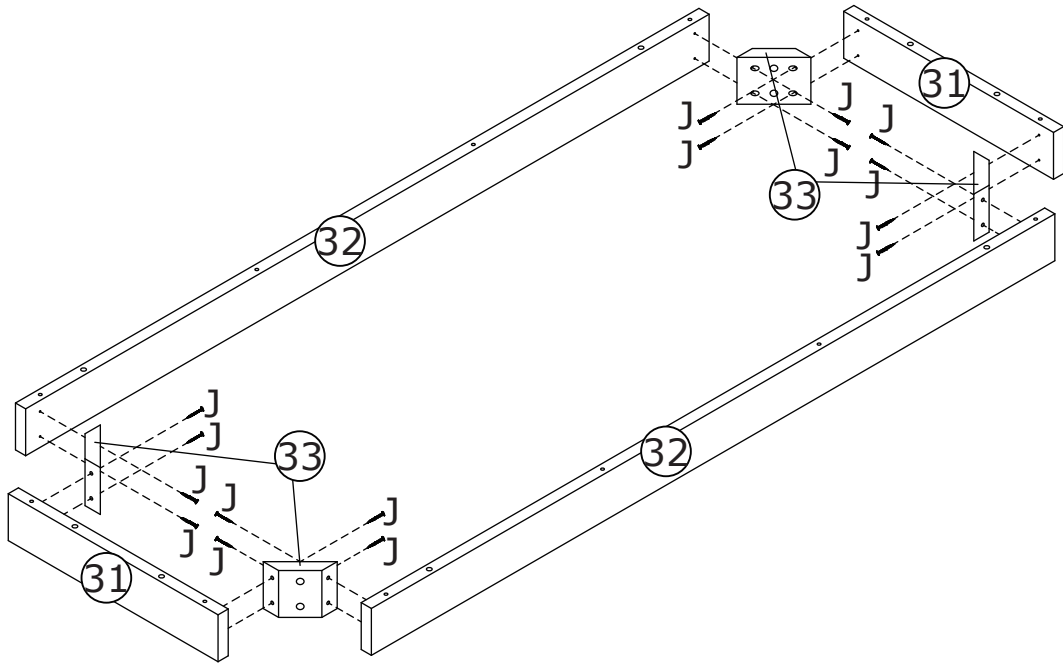
Gx8



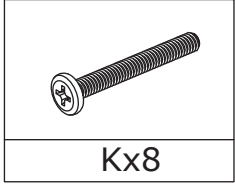
8



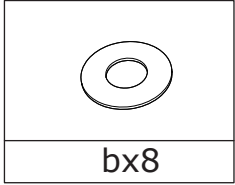
9



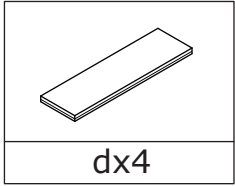
Jx16



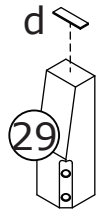
Kx8



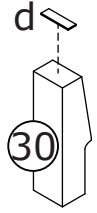
bx8



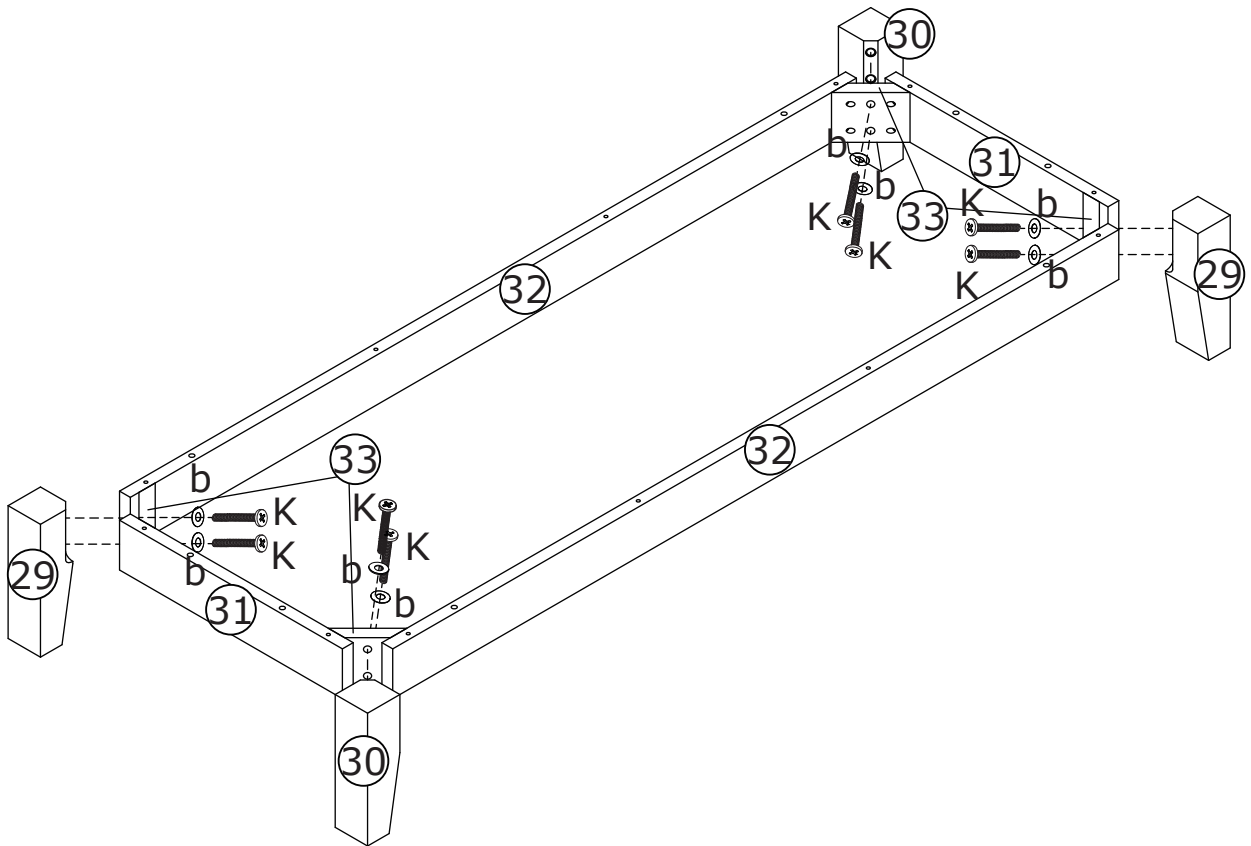
dx4



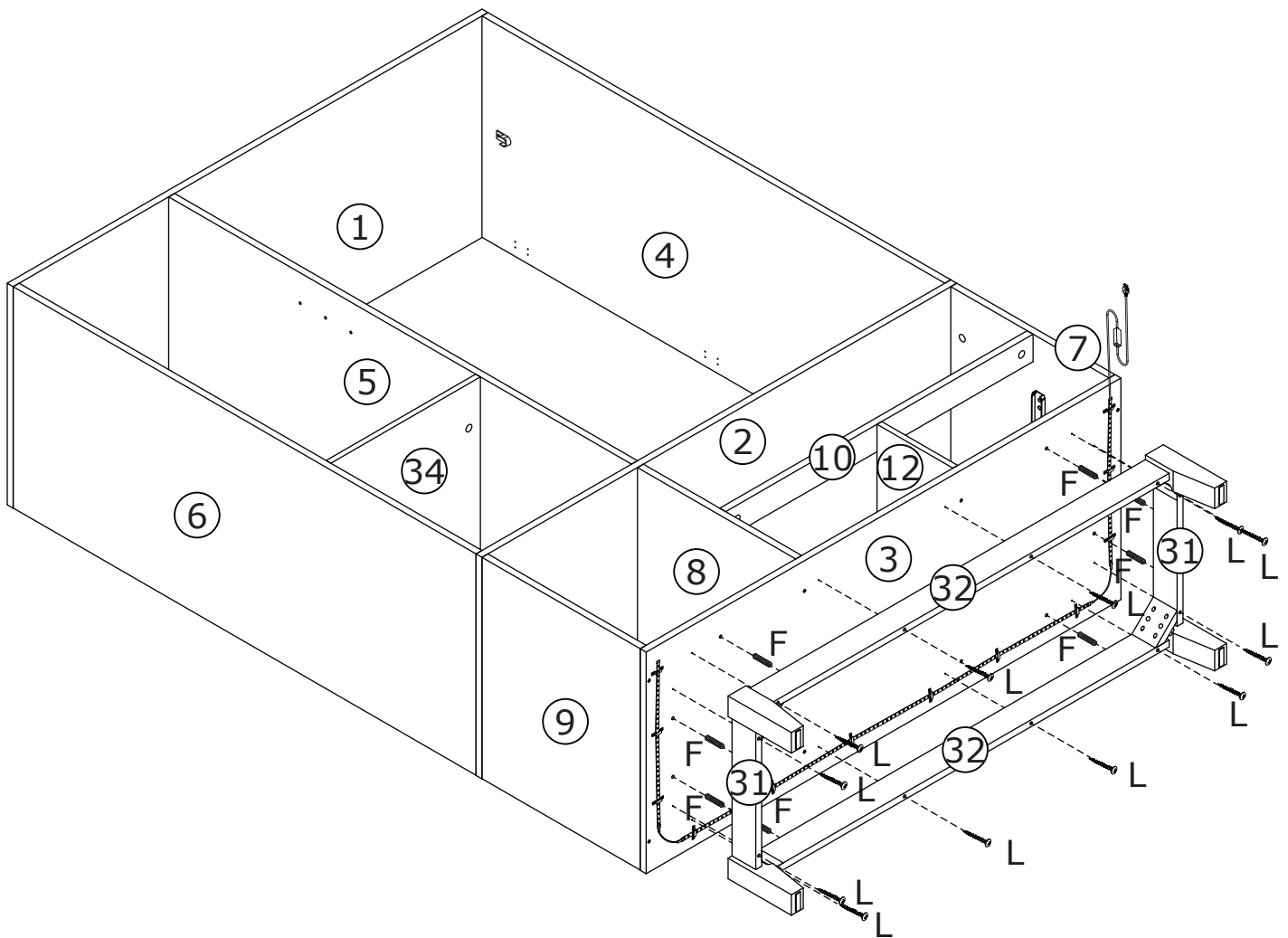
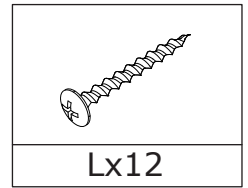
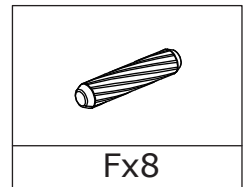
x2



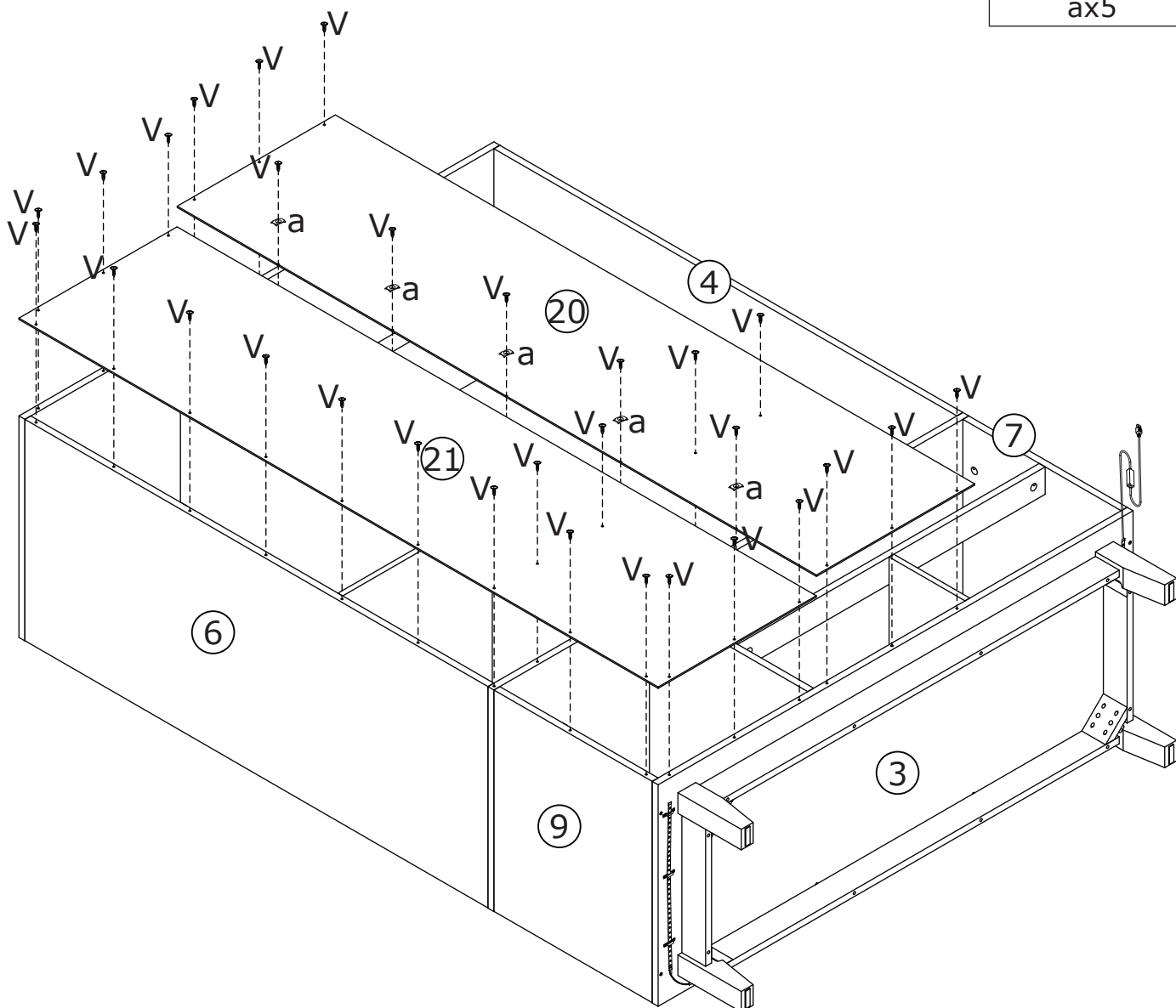
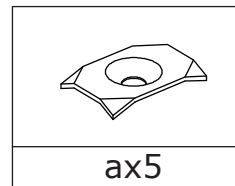
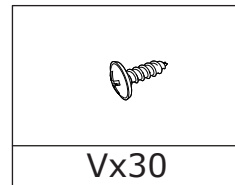
x2



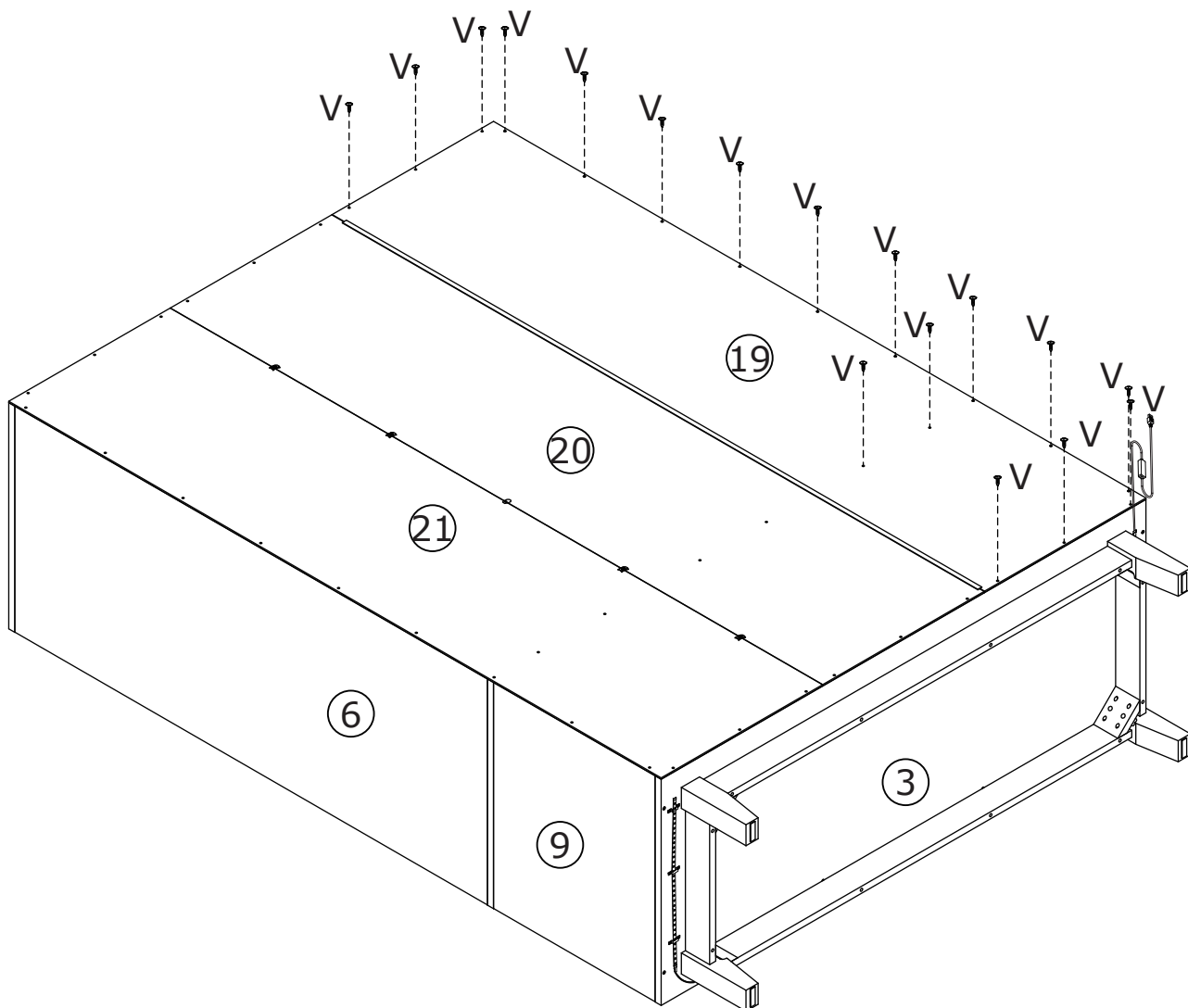
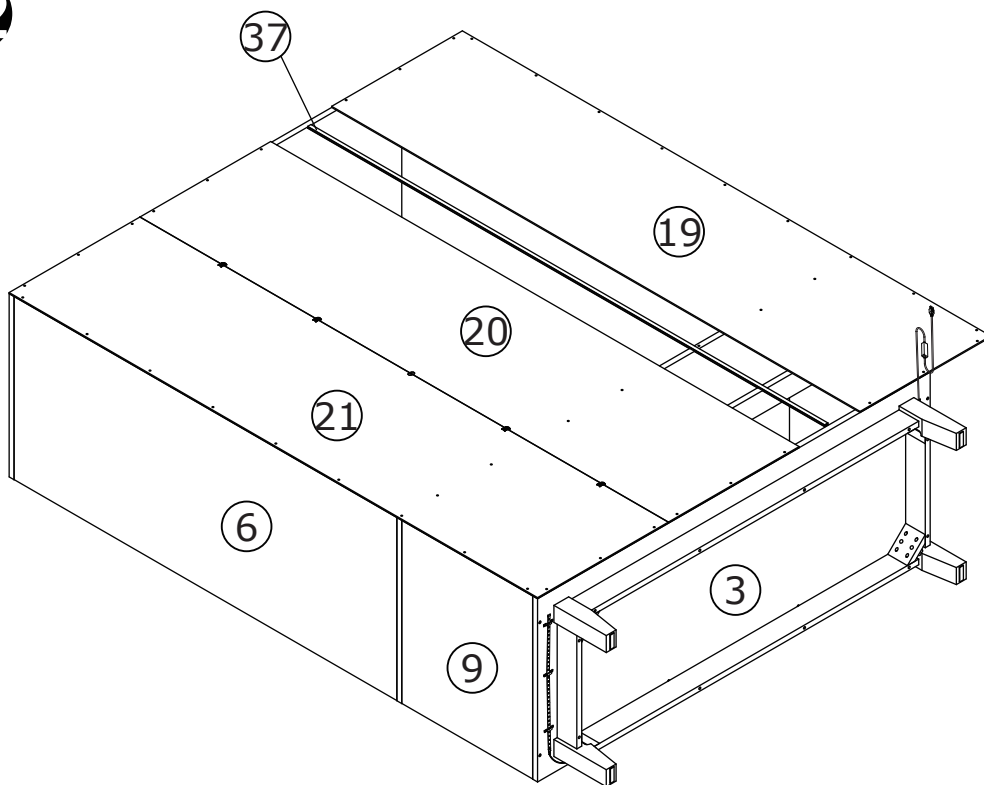
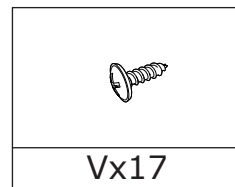
10



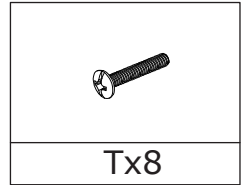
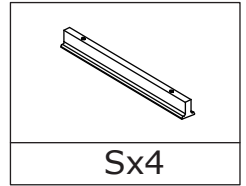
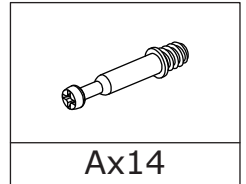
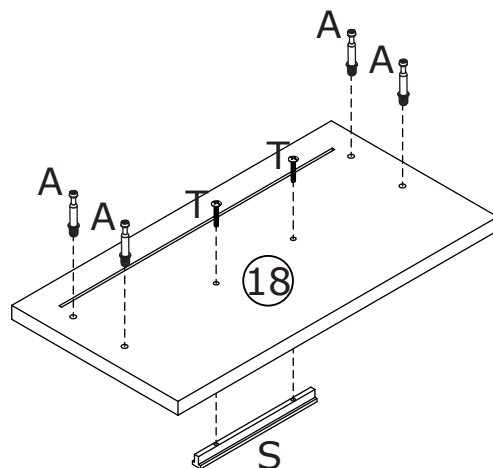
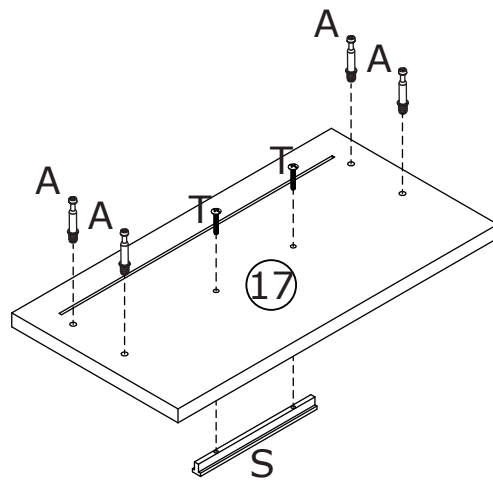
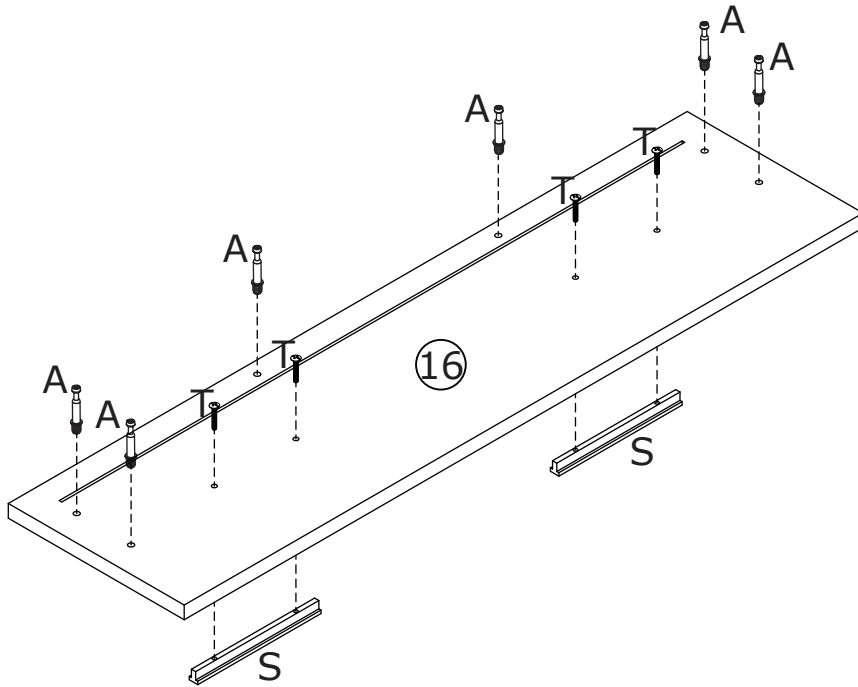
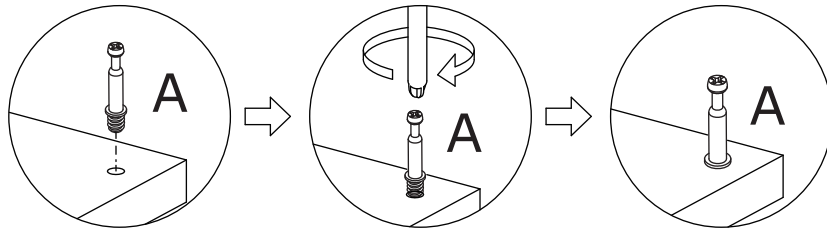
11



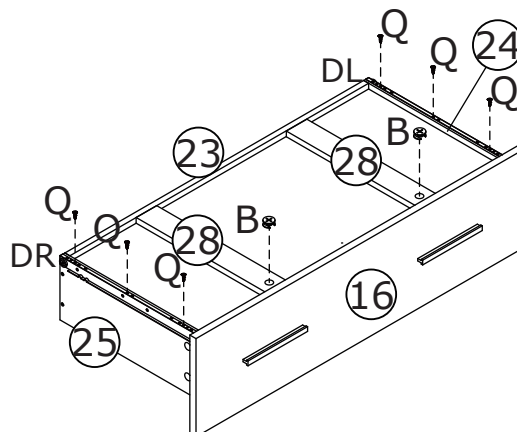
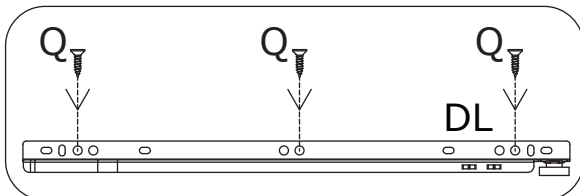
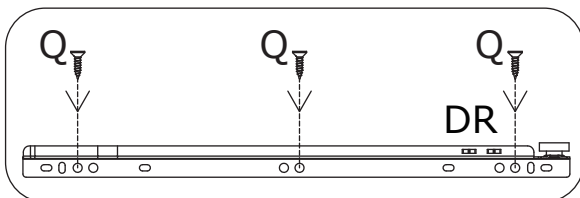
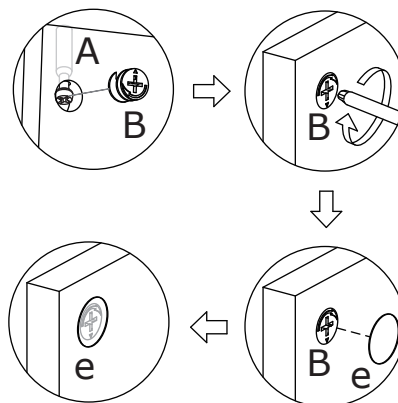
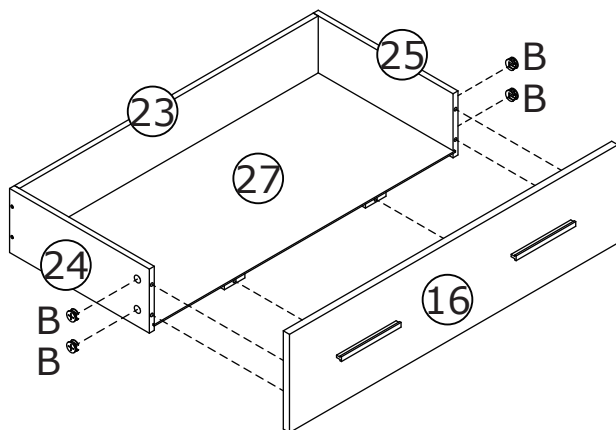
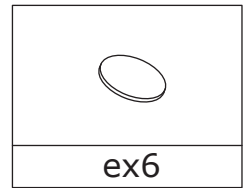
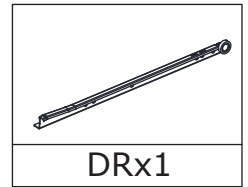
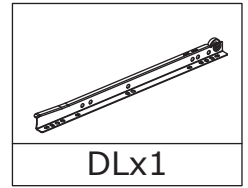
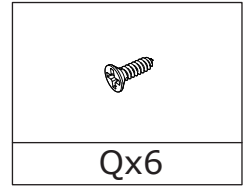
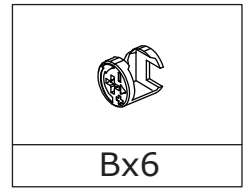
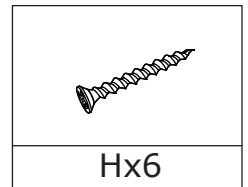
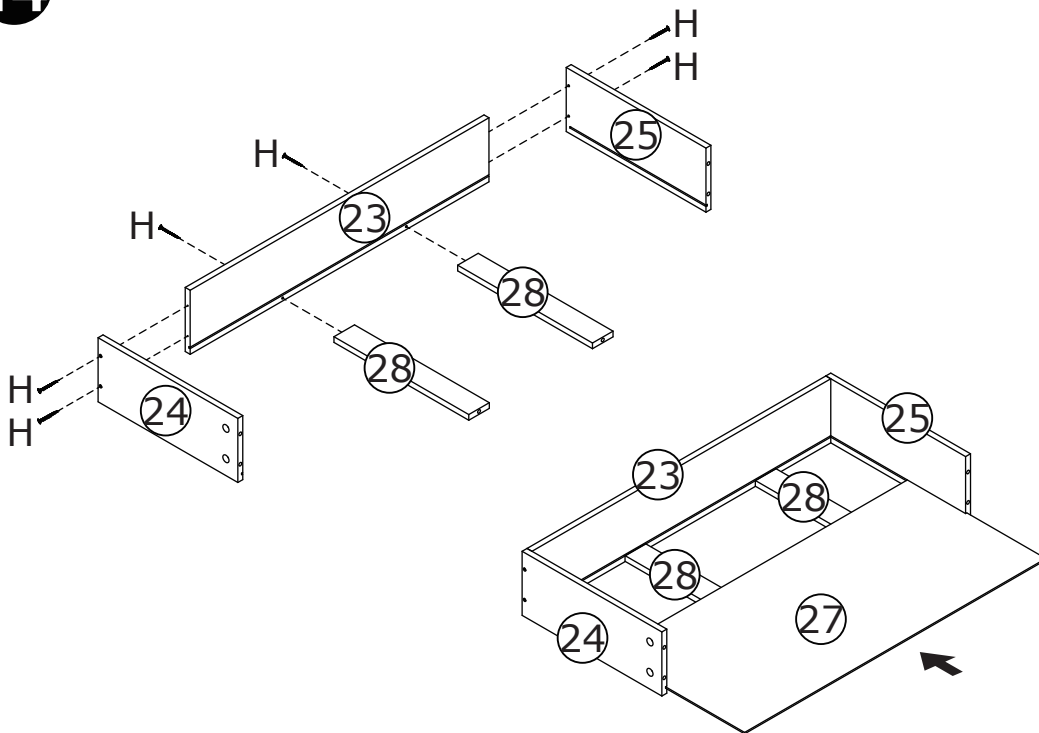
12



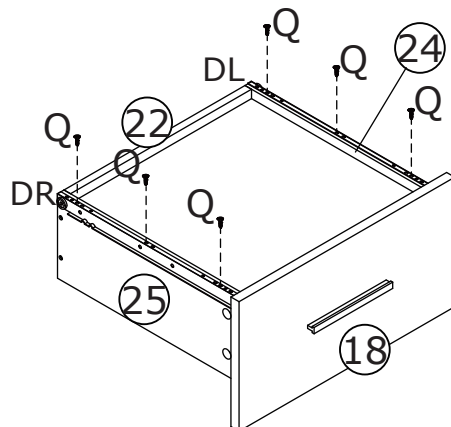
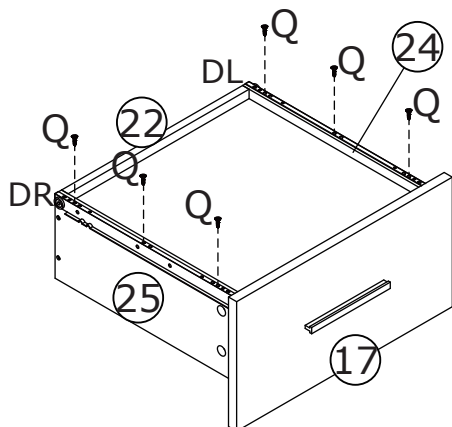
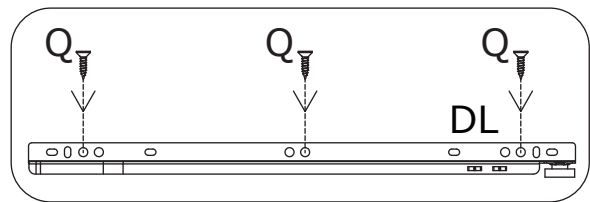
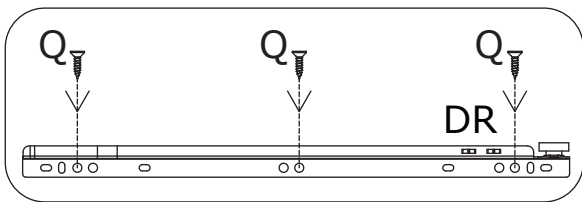
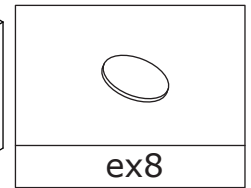
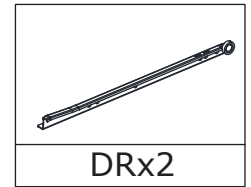
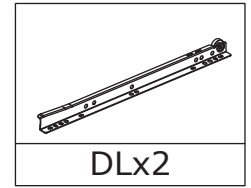
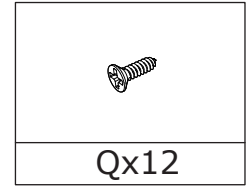
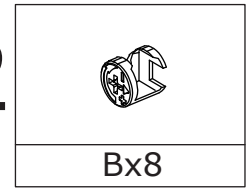
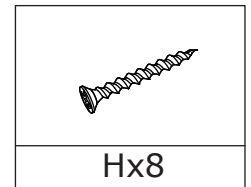
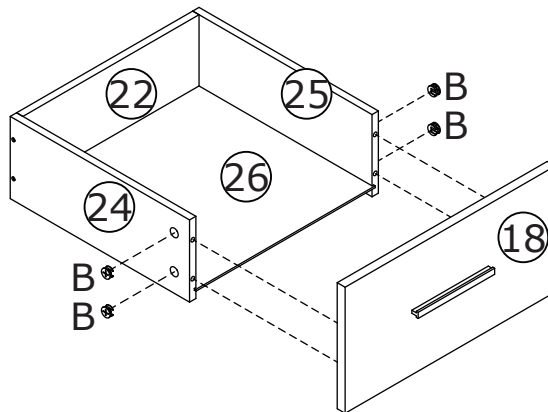
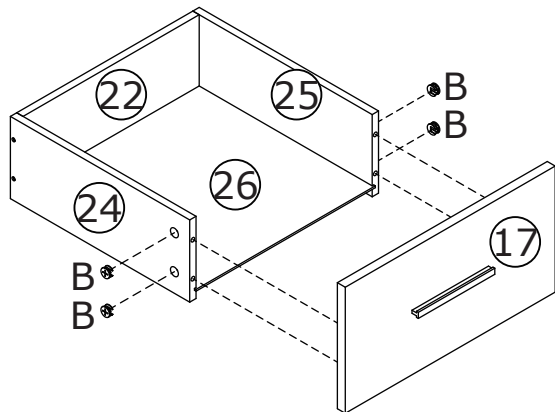
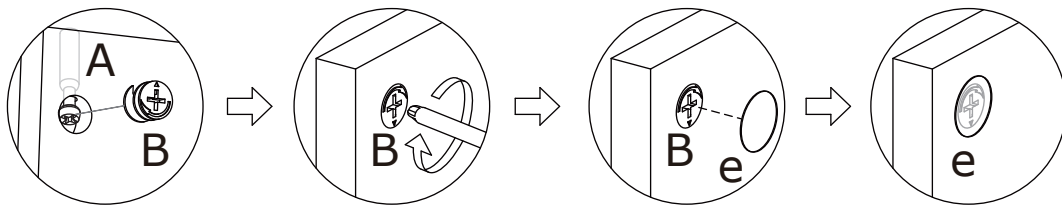
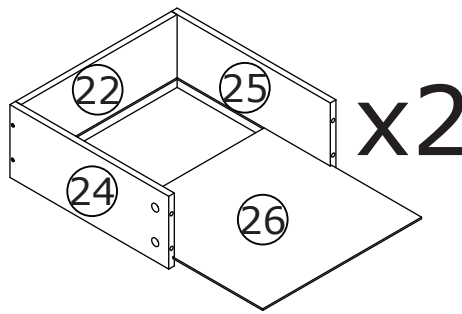
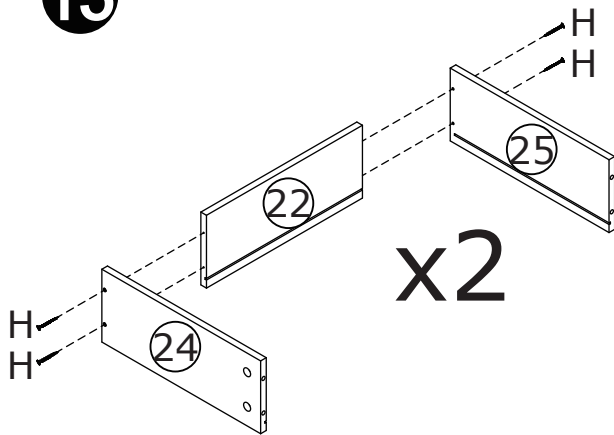
13



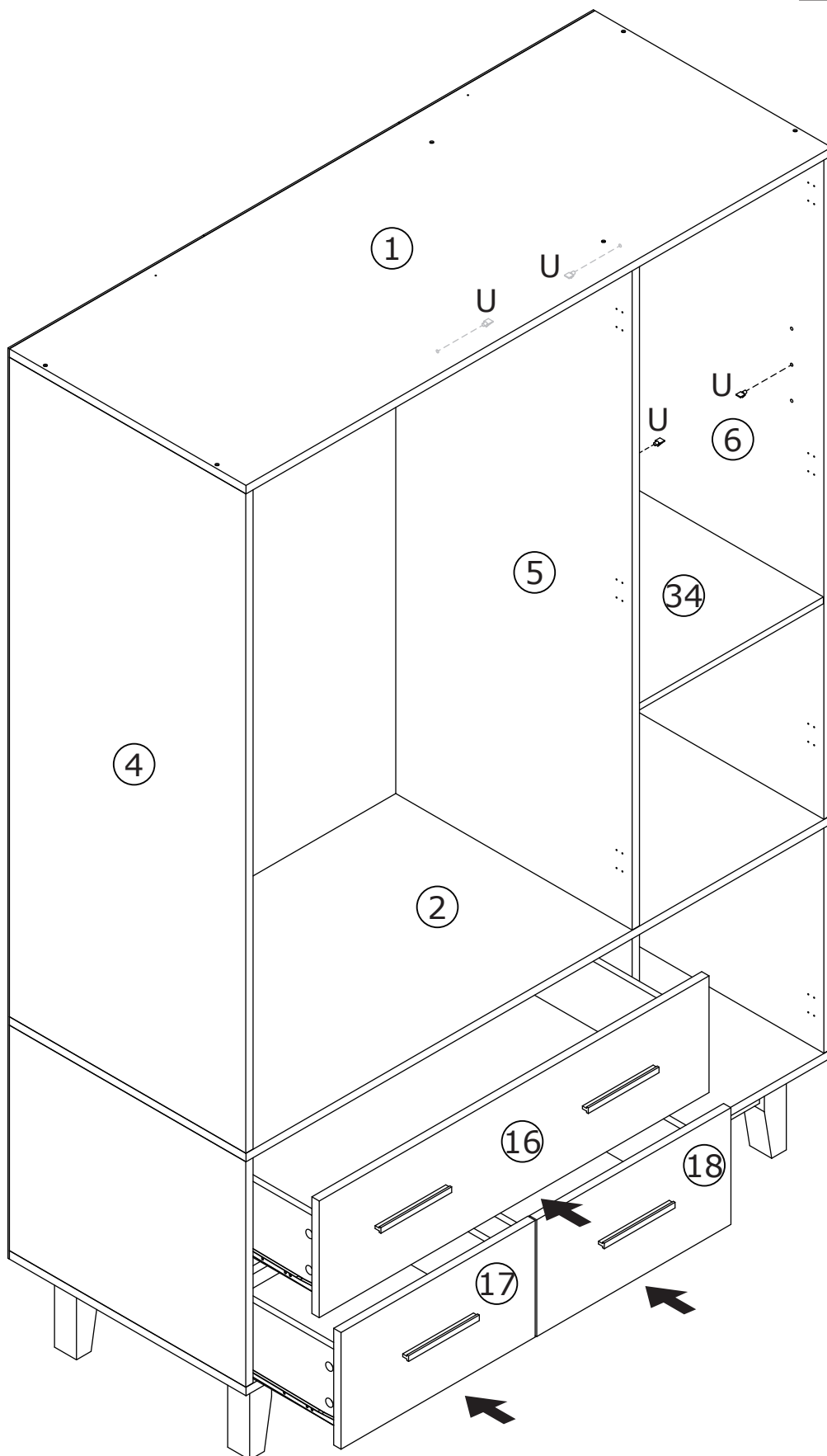
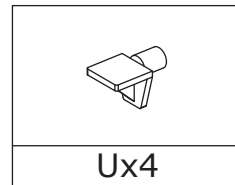
14



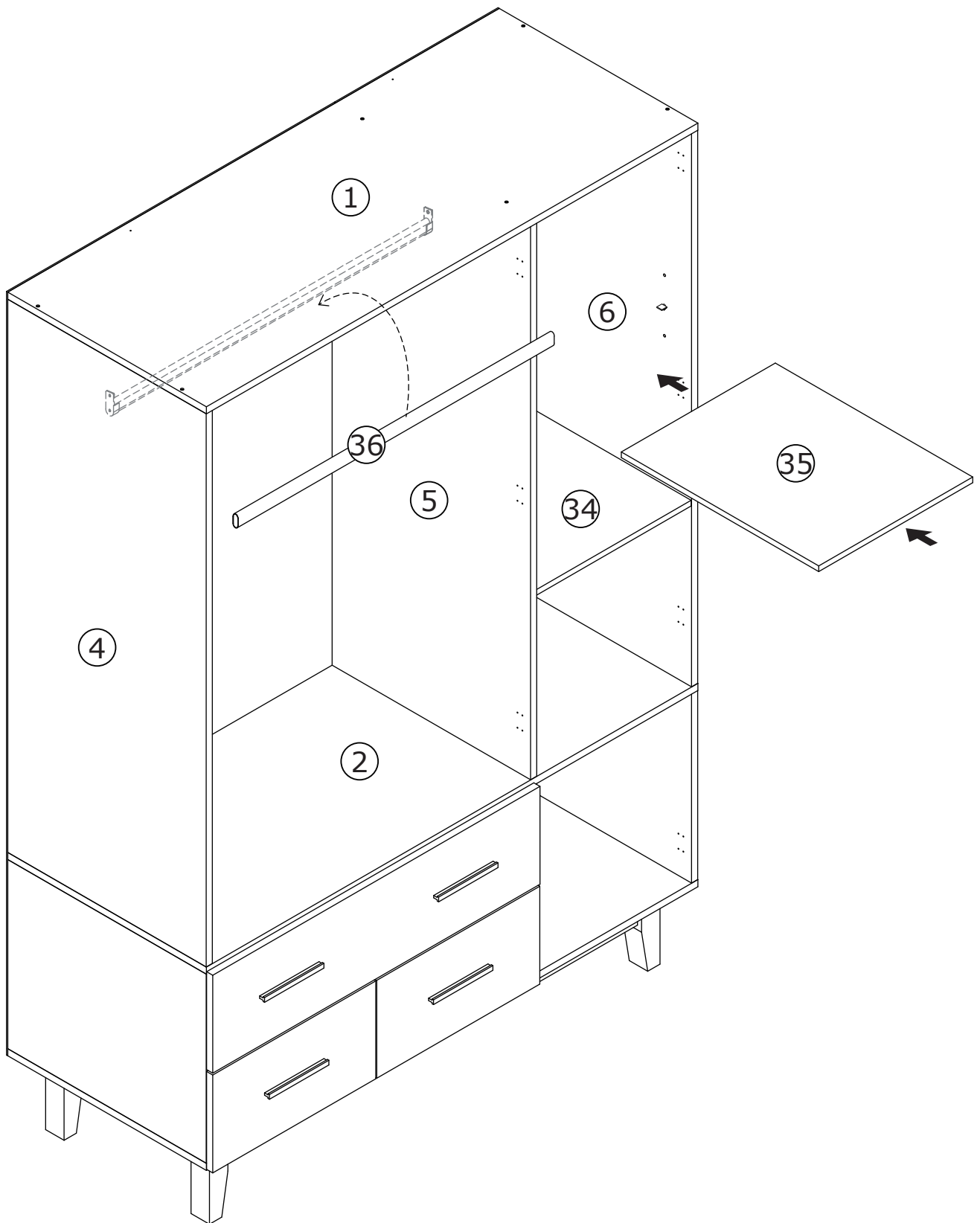
15



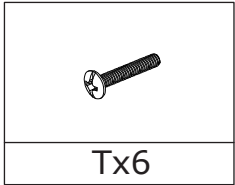
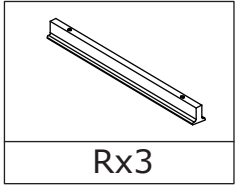
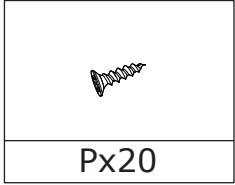
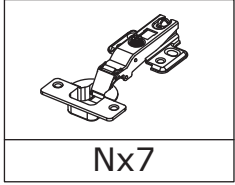
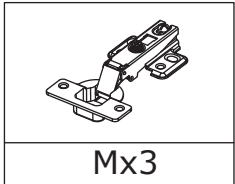
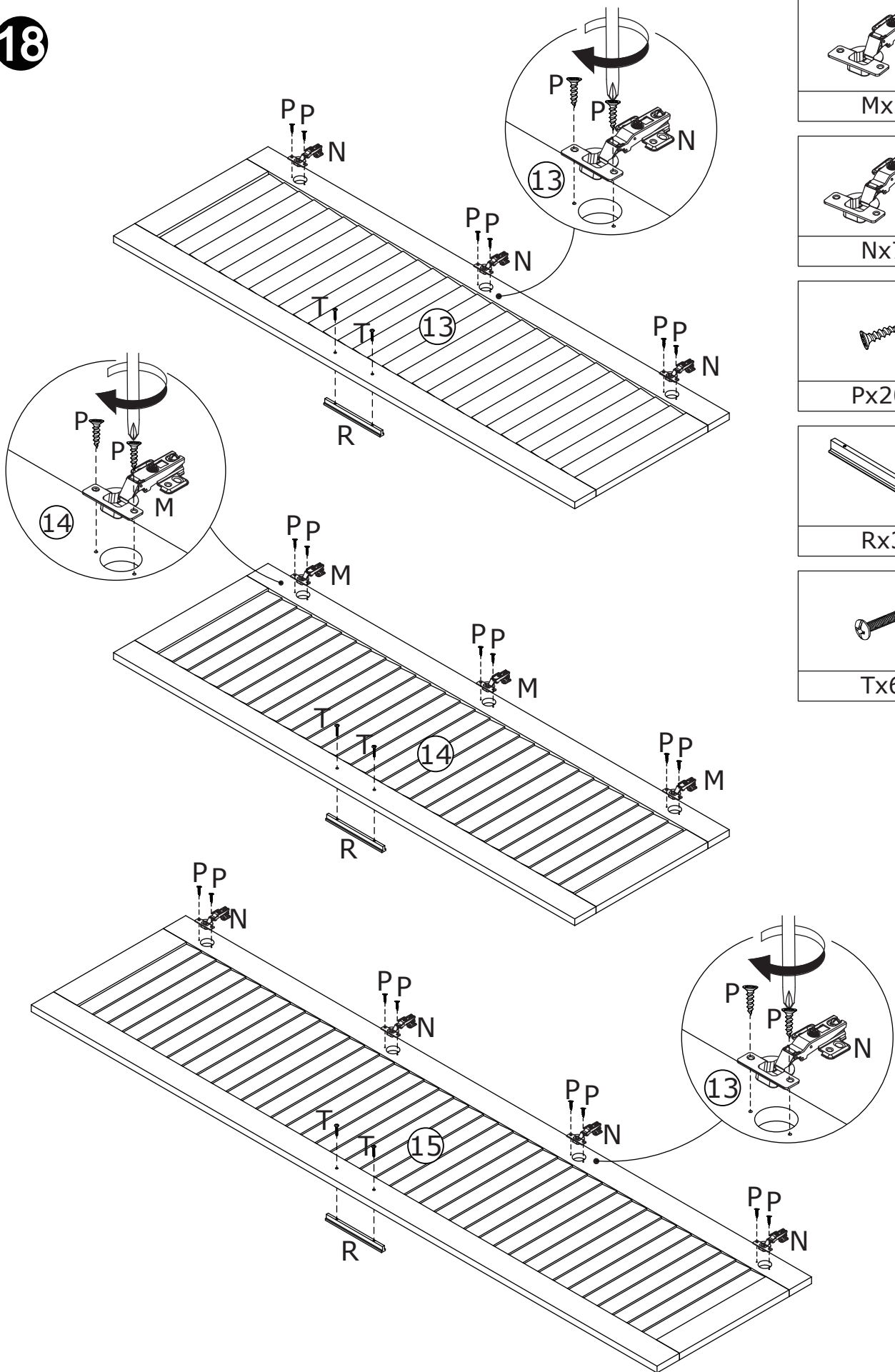
16



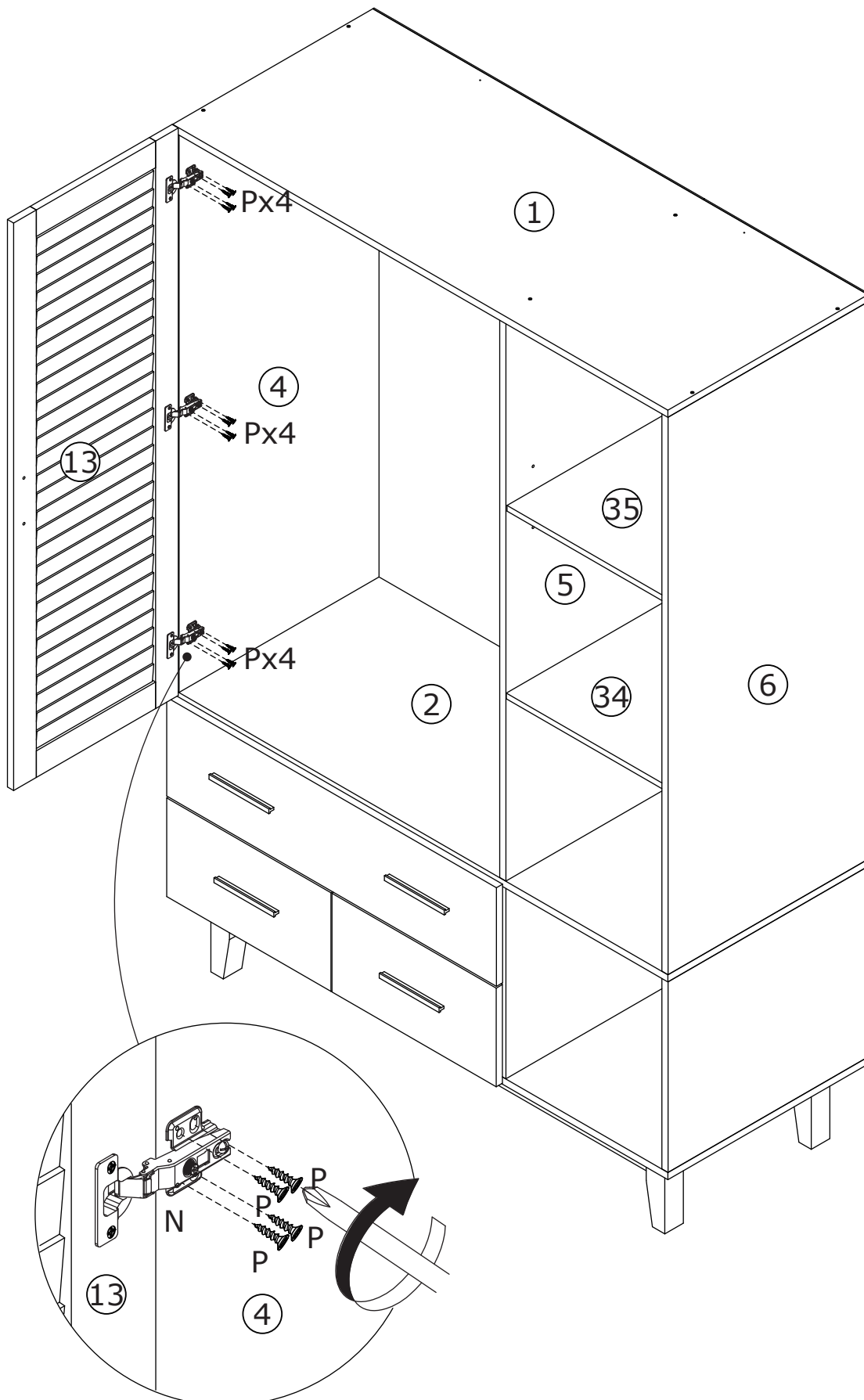
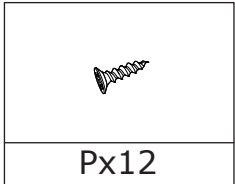
17



18



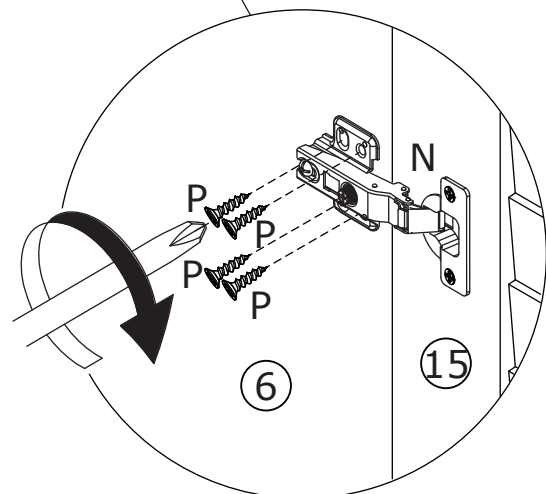
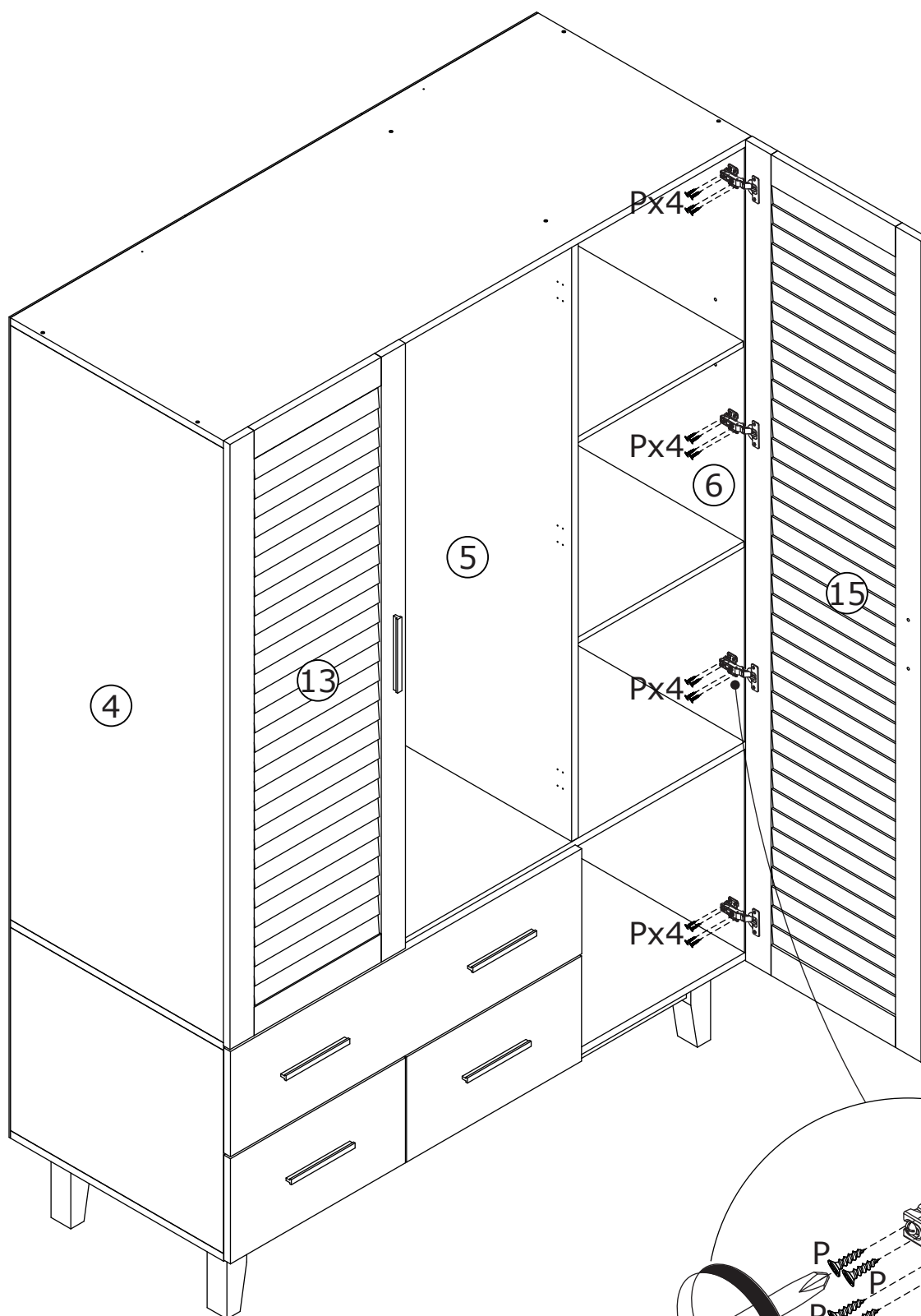
19



20

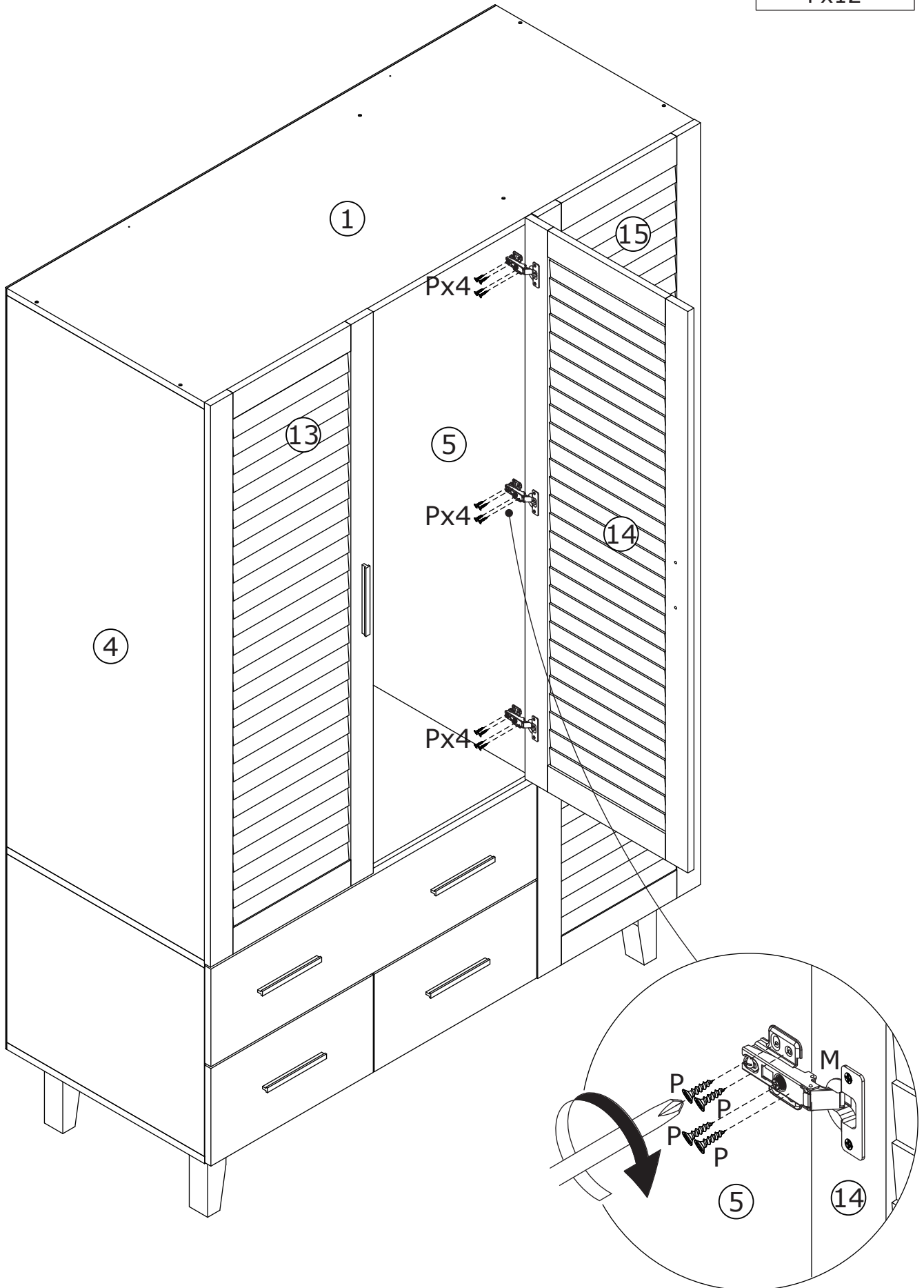
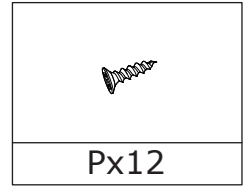


Px16

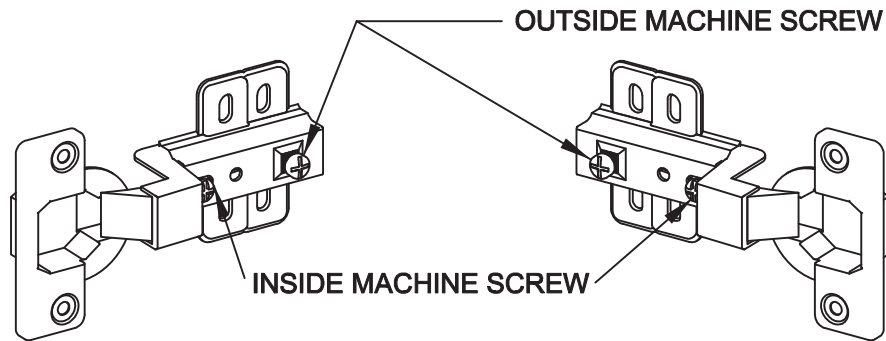


21

Please refer to the supplementary instructions for hinge adjustment on Page 28.



HINGE ADJUSTMENT SUPPLEMENT



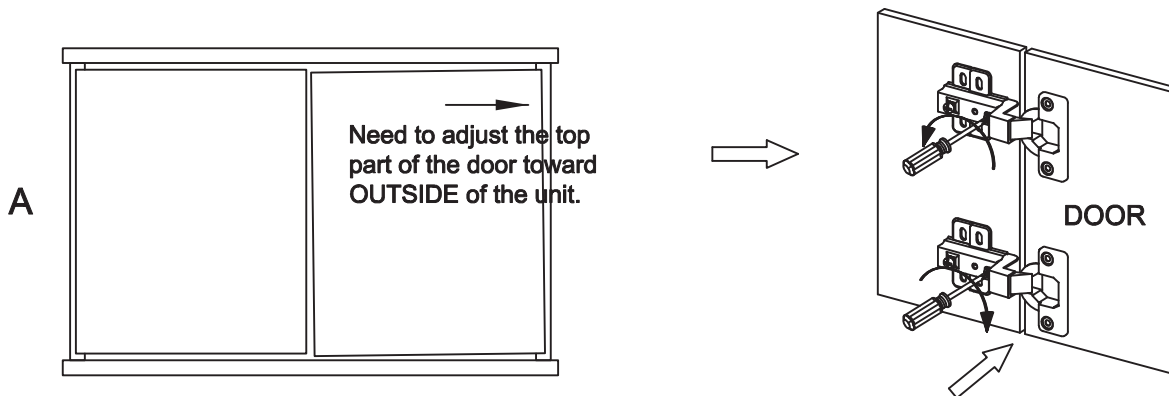
In the event that the door does not align properly, the **INSIDE** Machine Screws located on the Hinges are for adjusting slightly to the Left or Right. **DO NOT LOOSEN THE OUTSIDE MACHINE SCREW FOR ADJUSTMENT.**

A. To adjust the door toward the **OUTSIDE** of the unit, turn the Inside Machine Screws to the **LEFT**, or **COUNTERCLOCKWISE**. (See Figure A)

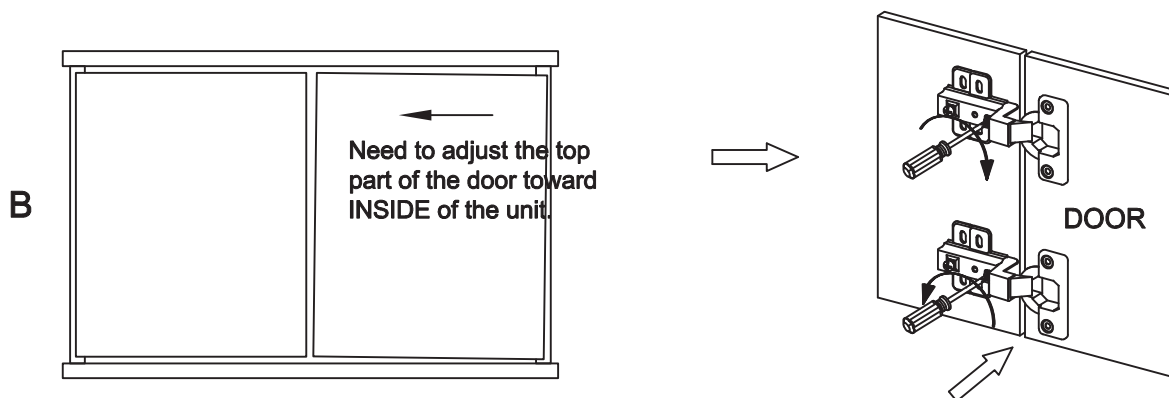
B. To adjust the door toward the **INSIDE** of the unit, turn the Inside Machine Screws to the **RIGHT**, or **CLOCKWISE**. (See Figure B)

***Note: Please be patient, it may take several minutes to adjust properly.**

Only once the door is in the desired position, fully tighten the **OUTSIDE** Machine Screws. This will ensure that the door is secure.



You may also need to adjust slightly the lower part of the door toward **INSIDE** of the unit at the same time.



You may also need to adjust slightly the lower part of the door toward **OUTSIDE** of the unit at the same time.

22

Attention: For safety and stability, we suggest you have to secure the anti-tip accessories to the wall to prevent tipping, injury, and properly damage.

